

**lenovo**

ThinkCentre  
Hardware Maintenance Manual



ThinkThink**ThinkCentre**Think

Machine Types: 3063, 3231, 3285, 3379, 4083, 4084, 4085, 4086, 4087, 4088, 4099, 4138 5897, 6137, 6138, 6209, 6234, 6239, 6258, 6302, 6303, 7174, 7188, 7220, 7244, 7346, 7347, 7354, 7355, 7357, 7358, 7360, 7373, 7483, 7484, 7571, 7582, 7627, 7628, 7630, 7635, 7638, 7639, 8494, 8854, 8910, 9728, 9960, 9964, and 9965





# ThinkCentre Hardware Maintenance Manual

Machine Types: 3063, 3231, 3285, 3379, 4083, 4084, 4085, 4086, 4087, 4088, 4099, 4138 5897, 6137, 6138, 6209, 6234, 6239,6258, 6302, 6303, 7174, 7188, 7220, 7244, 7346, 7347, 7354, 7355, 7357, 7358, 7360, 7373, 7483, 7484, 7571, 7582, 7627, 7628, 7630, 7635, 7638, 7639, 8494, 8854, 8910, 9728, 9960, 9964, and 9965

**Note:** Before using this information and the product it supports, be sure to read and understand the Chapter 2 “Safety information” on page 3 and Appendix A “Notices” on page 563.

**Twelfth Edition (February 2012)**

**© Copyright Lenovo 2008, 2012.**

LIMITED AND RESTRICTED RIGHTS NOTICE: If data or software are delivered pursuant a General Services Administration “GSA” contract, use, reproduction, or disclosure is subject to restrictions set forth in Contract No. GS-35F-05925.

---

# Contents

<b>Chapter 1. About this manual . . . . .</b>	<b>1</b>	<b>Chapter 6. Using the Setup Utility. . . . .</b>	<b>43</b>
Important safety information . . . . .	1	Starting the Setup Utility program . . . . .	43
Important information about replacing RoHS compliant FRUs . . . . .	1	Viewing and changing settings . . . . .	43
<b>Chapter 2. Safety information. . . . .</b>	<b>3</b>	Using passwords . . . . .	43
General safety . . . . .	3	Password considerations . . . . .	43
Electrical safety . . . . .	3	Power-On Password . . . . .	44
Voltage-selection switch . . . . .	5	Administrator Password . . . . .	44
Safety inspection guide . . . . .	5	Hard Disk User Password . . . . .	44
Handling electrostatic discharge-sensitive devices . . . . .	6	Setting, changing, and deleting a password . . . . .	44
Grounding requirements . . . . .	6	Enabling or disabling a device . . . . .	44
Safety notices (multi-lingual translations) . . . . .	6	Selecting a startup device . . . . .	45
<b>Chapter 3. General information . . . . .</b>	<b>29</b>	Selecting a temporary startup device . . . . .	45
Online Books folder . . . . .	29	Selecting or changing the startup device sequence . . . . .	45
Lenovo ThinkVantage Tools . . . . .	29	Exiting from the Setup Utility program . . . . .	45
SimpleTap . . . . .	30	<b>Chapter 7. Symptom-to-FRU index . . . . .</b>	<b>47</b>
Lenovo Solution Center . . . . .	30	Hard disk drive boot error . . . . .	47
ThinkVantage Productivity Center . . . . .	30	Power Supply Problems . . . . .	47
Access Help . . . . .	30	Diagnostic error codes . . . . .	48
Additional information resources . . . . .	31	Beep symptoms . . . . .	65
Specifications . . . . .	32	POST error codes . . . . .	66
For machine types: 3063, 3231, 3285, 4084, 4085, 4086, 4087, 6138, 6209, 6239, 6302, 7188, 7244, 7347, 7355, 7358, 7373, 7484, 7571, 7628, 7635, 7639, 8494, 8854, 9728, 9960, and 9965. . . . .	32	Miscellaneous error messages . . . . .	67
For machine types: 3379, 4083, 4088, 4099, 4138, 5897, 6137, 6234, 6258, 6303, 7174, 7220, 7346, 7354, 7357, 7360, 7483, 7582, 7627, 7630, 7638, 8910, and 9964. . . . .	32	Undetermined problems . . . . .	69
<b>Chapter 4. General checkout . . . . .</b>	<b>35</b>	<b>Chapter 8. Replacing FRUs (Machine Types: 3063, 3231, 3285, 4084, 4085, 4086, 4087, 6138, 6209, 6239, 6302, 7188, 7244, 7347, 7355, 7358, 7373, 7484, 7571, 7628, 7635, 7639, 8494, 8854, 9728, 9960, and 9965.) . . . . .</b>	<b>71</b>
Problem determination tips . . . . .	36	Locating connectors on the front of the computer . . . . .	71
<b>Chapter 5. Diagnostic programs . . . . .</b>	<b>37</b>	Locating connectors on the rear of the computer . . . . .	72
Lenovo ThinkVantage Toolbox . . . . .	37	Removing the computer cover . . . . .	73
Lenovo Solution Center . . . . .	37	Locating components . . . . .	75
Lenovo System Toolbox . . . . .	38	Locating parts on the system board . . . . .	76
PC-Doctor for Rescue and Recovery . . . . .	38	Removing and reinstalling the front bezel . . . . .	77
PC-Doctor for DOS . . . . .	38	Replacing a memory module . . . . .	78
Creating a diagnostic disc . . . . .	39	Replacing the power supply . . . . .	79
Running the diagnostic program from the diagnostic disc . . . . .	39	Replacing the heat sink and fan assembly . . . . .	80
Navigating through the diagnostic programs . . . . .	39	Replacing the microprocessor . . . . .	81
Running tests . . . . .	39	Replacing the system board . . . . .	84
Viewing the test log . . . . .	41	Replacing the battery . . . . .	86
		Replacing an adapter card . . . . .	87
		Replacing the primary hard disk drive . . . . .	89
		Replacing the secondary hard disk drive . . . . .	92
		Replacing the optical drive . . . . .	94

Replacing the diskette drive . . . . .	95
Replacing the front fan assembly . . . . .	96
Replacing the rear fan assembly. . . . .	98
Replacing the front audio and USB assembly . . . . .	100
Replacing the internal speaker . . . . .	101
Completing the FRU replacement . . . . .	103

**Chapter 9. Replacing FRUs (Machine Types: 3379, 4083, 4088, 4099, 4138, 5897, 6137, 6234, 6258, 6303, 7174, 7220, 7346, 7354, 7357, 7360, 7483, 7582, 7627, 7630, 7638, 8910, and 9964.) . . . . . 105**

Locating connectors on the front of the computer. . . . .	105
Locating connectors on the rear of the computer. . . . .	106
Opening the computer cover . . . . .	107
Accessing the system board components and drives . . . . .	108
Locating components . . . . .	109
Locating parts on the system board . . . . .	110
Replacing the battery . . . . .	110
Replacing a memory module . . . . .	112
Replacing an adapter card . . . . .	113
Replacing the power supply . . . . .	115
Replacing the heat sink and fan assembly . . . . .	117
Replacing the microprocessor . . . . .	118
Replacing the system board . . . . .	121
Replacing the hard disk drive . . . . .	122
Replacing the optical drive . . . . .	124
Replacing the card reader . . . . .	126
Replacing the internal speaker . . . . .	127
Replacing the front audio and USB assembly . . . . .	130
Completing the FRU replacement . . . . .	131

**Chapter 10. FRU lists . . . . . 133**

Overall: MT 3063, 3231, 3285, 4084, 4085, 4086, 4087, 6138, 6209, 6239, 6302, 7188, 7244, 7347, 7355, 7358, 7373, 7484, 7571, 7628, 7635, 7639, 8494, 8854, 9728, 9960, and 9965. . . . .	133
Mechanical FRUs . . . . .	168
Keyboard and Mouse . . . . .	180
Adapters and miscellaneous FRUs. . . . .	214
Power Cords . . . . .	221
Recovery discs . . . . .	234
Windows XP Professional Recovery CD . . . . .	234
Windows Vista 32 Home Basic Recovery CD . . . . .	245
Windows Vista Home Basic 32 with IE9 Recovery CD . . . . .	257
Windows Vista Business 32 Recovery CD . . . . .	268

Windows Vista Business 32 SP2 with IE9 Recovery CD . . . . .	279
Windows Vista Business 64 Recovery CD . . . . .	291
Windows 7 Home Basic 32 Recovery CD . . . . .	294
Windows 7 Home Basic 32 SP1 Recovery CD . . . . .	298
Windows 7 Home Premium 32 Recovery CD . . . . .	301
Windows 7 Home Premium 32 SP1 Recovery CD . . . . .	308
Windows 7 Professional 32 Recovery CD . . . . .	314
Windows 7 Professional 32 SP1 Recovery CD . . . . .	325
Windows 7 Professional 64 Recovery CD . . . . .	336
Windows 7 Professional 64 SP1 Recovery CD . . . . .	345
Windows 7 Ultimate 32 SP1 Recovery CD . . . . .	354
Windows 7 Ultimate 64 SP1 Recovery CD . . . . .	355
Windows Vista Ultimate 32 Recovery CD . . . . .	356
Windows Vista Starter SP2 Recovery CD . . . . .	358
Windows 7 Starter 32 Recovery CD . . . . .	358
Overall: MT 3379, 4083, 4088, 4099, 4138, 5897, 6137, 6234, 6258, 6303, 7174, 7220, 7346, 7354, 7357, 7360, 7483, 7582, 7627, 7630, 7638, 8910, and 9964. . . . .	359
Mechanical FRUs . . . . .	386
Keyboard and Mouse . . . . .	398
Adapters and miscellaneous FRUs. . . . .	428
Power Cords . . . . .	433
Recovery discs . . . . .	445
Windows XP Professional Recovery CD . . . . .	445
Windows Vista Home Basic 32 Recovery CD . . . . .	455
Windows Vista Home Basic 32 SP2 with IE9 Recovery CD . . . . .	465
Windows Vista Business 32 Recovery CD . . . . .	475
Windows Vista Business 32 SP2 with IE 9 Recovery CD . . . . .	485
Windows Vista Business 64 Recovery CD . . . . .	495
Windows Vista Ultimate 32 Recovery CD . . . . .	498
Windows Vista Starter 32 SP2 Recovery CD . . . . .	501
Windows 7 Home Basic 32 Recovery CD . . . . .	501
Windows 7 Home Basic 32 SP1 Recovery CD . . . . .	505
Windows 7 Home Premium 32 Recovery CD . . . . .	508
Windows 7 Home Premium 32 SP1 Recovery CD . . . . .	514
Windows 7 Professional 32 Recovery CD . . . . .	519
Windows 7 Professional 32 SP1 Recovery CD . . . . .	529
Windows 7 Professional 64 Recovery CD . . . . .	539

---

Windows 7 Professional 64 SP1 Recovery CD . . . . .	547	Secure Managed Client . . . . .	559
Windows 7 Ultimate 32 Recovery CD . . . . .	555	BIOS levels . . . . .	559
Windows 7 Ultimate 64 Recovery CD . . . . .	556	Updating (flashing) BIOS from a disc . . . . .	560
Windows 7 Starter 32 SP1 Recovery CD. . . . .	556	Recovering from a POST/BIOS update failure . . . . .	560
<b>Chapter 11. Additional service information . . . . .</b>	<b>559</b>	Power management . . . . .	561
Security features . . . . .	559	Automatic configuration and power interface (ACPI) BIOS . . . . .	561
Hardware controlled passwords . . . . .	559	Automatic Power-On features . . . . .	561
Operating system password . . . . .	559	<b>Appendix A. Notices. . . . .</b>	<b>563</b>
Vital Product Data . . . . .	559	Television output notice . . . . .	564
		Trademarks . . . . .	564





---

## Chapter 1. About this manual

This manual contains service and reference information for ThinkCentre® computer machine types listed on the front cover. This manual is intended only for trained Service Providers who are familiar with Lenovo® computer products.

**Note:** Be sure to read and understand the Chapter 2 “Safety information” on page 3 before using the information in this manual.

The “Symptom-to-FRU Index” chapter and the “Additional service information” chapter apply to all ThinkCentre computers.

This manual includes a complete FRU part number list for each machine type listed on the front cover. If you have internet access, the FRU part numbers are also available at:  
<http://www.lenovo.com/support>

---

### Important safety information

Be sure to read all caution and danger statements in this manual before performing any of the instructions.

Veillez lire toutes les consignes de type DANGER et ATTENTION du présent document avant d'exécuter les instructions.

Lesen Sie unbedingt alle Hinweise vom Typ "ACHTUNG" oder "VORSICHT" in dieser Dokumentation, bevor Sie irgendwelche Vorgänge durchführen

Leggere le istruzioni introdotte da ATTENZIONE e PERICOLO presenti nel manuale prima di eseguire una qualsiasi delle istruzioni

Certifique-se de ler todas as instruções de cuidado e perigo neste manual antes de executar qualquer uma das instruções

Es importante que lea todas las declaraciones de precaución y de peligro de este manual antes de seguir las instrucciones.

تأكد من قراءة كل التحذيرات الموجودة في هذا الكتاب قبل اتباع هذه التعليمات .

执行任何说明之前，请确保已阅读本书中的所有警告和危险声明。

執行任何指示前，請確實閱讀本書中的所有警告及危險聲明。

דאן שקראתם את כל הודעות האזהרה והסכנה במסמך זה לפני שתבצעו פעולה כלשהי.

본 사용 설명서에 기재된 내용을 실행하기 전에 모든 주의사항 및 위험사항을 숙지하십시오.

---

### Important information about replacing RoHS compliant FRUs

**RoHS, the Restriction of Hazardous Substances in Electrical and Electronic Equipment Directive (2002/95/EC) is a European Union legal requirement affecting the global electronics industry. RoHS requirements must be implemented on Lenovo products placed on the market and sold in the European Union after June, 2006. Products on the market before June, 2006 are not required to have RoHS compliant parts. If the parts are not compliant originally, replacement parts can also**

**be noncompliant, but in all cases, if the parts are compliant, the replacement parts must also be compliant.**

**Note:** RoHS and non-RoHS FRU part numbers with the same fit and function are identified with unique FRU part numbers.

Lenovo plans to transition to RoHS compliance well before the implementation date and expects its suppliers to be ready to support Lenovo's requirements and schedule in the EU. Products sold in 2005, will contain some RoHS compliant FRUs. The following statement pertains to these products and any product Lenovo produces containing RoHS compliant parts.

RoHS compliant ThinkCentre parts have unique FRU part numbers. Before or after June, 2006, failed RoHS compliant parts must always be replaced using RoHS compliant FRUs, so only the FRUs identified as compliant in the system HMM or direct substitutions for those FRUs can be used.

Products marketed before June 2006		Products marketed after June 2006	
Current or original part	Replacement FRU	Current or original part	Replacement FRU
Non-RoHS	Can be Non-RoHS	Must be RoHS	Must be RoHS
Non-RoHS	Can be RoHS		
Non-RoHS	Can sub to RoHS		
RoHS	Must be RoHS		

**Note:** A direct substitution is a part with a different FRU part number that is automatically shipped by the distribution center at the time of order.

---

## Chapter 2. Safety information

This chapter contains the safety information that you need to be familiar with before servicing a computer.

---

### General safety

Follow these rules to ensure general safety:

- Observe good housekeeping in the area of the machines during and after maintenance.
- When lifting any heavy object:
  1. Ensure you can stand safely without slipping.
  2. Distribute the weight of the object equally between your feet.
  3. Use a slow lifting force. Never move suddenly or twist when you attempt to lift.
  4. Lift by standing or by pushing up with your leg muscles; this action removes the strain from the muscles in your back. *Do not attempt to lift any objects that weigh more than 16 kg (35 lb) or objects that you think are too heavy for you.*
- Do not perform any action that causes hazards to the customer, or that makes the equipment unsafe.
- Before you start the machine, ensure that other service representatives and the customer's personnel are not in a hazardous position.
- Place removed covers and other parts in a safe place, away from all personnel, while you are servicing the machine.
- Keep your tool case away from walk areas so that other people will not trip over it.
- Do not wear loose clothing that can be trapped in the moving parts of a machine. Ensure that your sleeves are fastened or rolled up above your elbows. If your hair is long, fasten it.
- Insert the ends of your necktie or scarf inside clothing or fasten it with a nonconductive clip, approximately 8 centimeters (3 inches) from the end.
- Do not wear jewelry, chains, metal-frame eyeglasses, or metal fasteners for your clothing.  
**Remember:** Metal objects are good electrical conductors.
- Wear safety glasses when you are: hammering, drilling soldering, cutting wire, attaching springs, using solvents, or working in any other conditions that might be hazardous to your eyes.
- After service, reinstall all safety shields, guards, labels, and ground wires. Replace any safety device that is worn or defective.
- Reinstall all covers correctly before returning the machine to the customer.

---

### Electrical safety



#### **CAUTION:**

**Electrical current from power, telephone, and communication cables can be hazardous. To avoid personal injury or equipment damage, disconnect the attached power cords, telecommunication systems, networks, and modems before you open the server/workstation covers, unless instructed otherwise in the installation and configuration procedures.**

Observe the following rules when working on electrical equipment.

**Important:** Use only approved tools and test equipment. Some hand tools have handles covered with a soft material that does not insulate you when working with live electrical currents.

Many customers have, near their equipment, rubber floor mats that contain small conductive fibers to decrease electrostatic discharges. Do not use this type of mat to protect yourself from electrical shock.

- Find the room emergency power-off (EPO) switch, disconnecting switch, or electrical outlet. If an electrical accident occurs, you can then operate the switch or unplug the power cord quickly.
- Do not work alone under hazardous conditions or near equipment that has hazardous voltages.
- Disconnect all power before:
  - Performing a mechanical inspection
  - Working near power supplies
  - Removing or installing Field Replaceable Units
- Before you start to work on the machine, unplug the power cord. If you cannot unplug it, ask the customer to power-off the wall box that supplies power to the machine and to lock the wall box in the off position.
- If you need to work on a machine that has exposed electrical circuits, observe the following precautions:
  - Ensure that another person, familiar with the power-off controls, is near you.  
**Remember:** Another person must be there to switch off the power, if necessary.
  - Use only one hand when working with powered-on electrical equipment; keep the other hand in your pocket or behind your back.  
**Remember:** There must be a complete circuit to cause electrical shock. By observing the above rule, you may prevent a current from passing through your body.
  - When using testers, set the controls correctly and use the approved probe leads and accessories for that tester.
  - Stand on suitable rubber mats (obtained locally, if necessary) to insulate you from grounds such as metal floor strips and machine frames.

Observe the special safety precautions when you work with very high voltages; these instructions are in the safety sections of maintenance information. Use extreme care when measuring high voltages.

- Regularly inspect and maintain your electrical hand tools for safe operational condition.
- Do not use worn or broken tools and testers.
- *Never assume* that power has been disconnected from a circuit. First, *check* that it has been powered-off.
- Always look carefully for possible hazards in your work area. Examples of these hazards are moist floors, nongrounded power extension cables, power surges, and missing safety grounds.
- Do not touch live electrical circuits with the reflective surface of a plastic dental mirror. The surface is conductive; such touching can cause personal injury and machine damage.
- Do not service the following parts with the power on when they are removed from their normal operating places in a machine:
  - Power supply units
  - Pumps
  - Blowers and fans
  - Motor generatorsand similar units. (This practice ensures correct grounding of the units.)
- If an electrical accident occurs:
  - Use caution; do not become a victim yourself.
  - Switch off power.
  - Send another person to get medical aid.

---

## Voltage-selection switch

Some computers are equipped with a voltage-selection switch located near the power-cord connection point on the computer. If your computer has a voltage-selection switch, ensure that you set the switch to match the voltage available at your electrical outlet. Setting the voltage-selection switch incorrectly can cause permanent damage to the computer.

If your computer does not have a voltage-selection switch, your computer is designed to operate only at the voltage provided in the country or region where the computer was originally purchased.

If you relocate your computer to another country, be aware of the following:

- If your computer does not have a voltage-selection switch, do not connect the computer to an electrical outlet until you have verified that the voltage provided is the same as it was in the country or region where the computer was originally purchased.
- If your computer has a voltage-selection switch, do not connect the computer to an electrical outlet until you have verified that the voltage-selection switch is set to match the voltage provided in that country or region.

If you are not sure of the voltage provided at your electrical outlet, contact your local electric company or refer to official Web sites or other literature for travelers to the country or region where you are located.

---

## Safety inspection guide

The intent of this inspection guide is to assist you in identifying potentially unsafe conditions on these products. Each machine, as it was designed and built, had required safety items installed to protect users and service personnel from injury. This guide addresses only those items. However, good judgment should be used to identify potential safety hazards due to attachment of features or options not covered by this inspection guide.

If any unsafe conditions are present, you must determine how serious the apparent hazard could be and whether you can continue without first correcting the problem.

Consider these conditions and the safety hazards they present:

- Electrical hazards, especially primary power (primary voltage on the frame can cause serious or fatal electrical shock).
- Explosive hazards, such as a damaged CRT face or bulging capacitor
- Mechanical hazards, such as loose or missing hardware

The guide consists of a series of steps presented in a checklist. Begin the checks with the power off, and the power cord disconnected.

Checklist:

1. Check exterior covers for damage (loose, broken, or sharp edges).
2. Power-off the computer. Disconnect the power cord.
3. Check the power cord for:
  - a. A third-wire ground connector in good condition. Use a meter to measure third-wire ground continuity for 0.1 ohm or less between the external ground pin and frame ground.
  - b. The power cord should be the appropriate type as specified in the parts listings.
  - c. Insulation must not be frayed or worn.
4. Remove the cover.

5. Check for any obvious alterations. Use good judgment as to the safety of any alterations.
6. Check inside the unit for any obvious unsafe conditions, such as metal filings, contamination, water or other liquids, or signs of fire or smoke damage.
7. Check for worn, frayed, or pinched cables.
8. Check that the power-supply cover fasteners (screws or rivets) have not been removed or tampered with.

---

## Handling electrostatic discharge-sensitive devices

Any computer part containing transistors or integrated circuits (ICs) should be considered sensitive to electrostatic discharge (ESD). ESD damage can occur when there is a difference in charge between objects. Protect against ESD damage by equalizing the charge so that the machine, the part, the work mat, and the person handling the part are all at the same charge.

### Notes:

1. Use product-specific ESD procedures when they exceed the requirements noted here.
2. Make sure that the ESD protective devices you use have been certified (ISO 9000) as fully effective.

When handling ESD-sensitive parts:

- Keep the parts in protective packages until they are inserted into the product.
- Avoid contact with other people while handling the part.
- Wear a grounded wrist strap against your skin to eliminate static on your body.
- Prevent the part from touching your clothing. Most clothing is insulative and retains a charge even when you are wearing a wrist strap.
- Use the black side of a grounded work mat to provide a static-free work surface. The mat is especially useful when handling ESD-sensitive devices.
- Select a grounding system, such as those listed below, to provide protection that meets the specific service requirement.

**Note:** The use of a grounding system is desirable but not required to protect against ESD damage.

- Attach the ESD ground clip to any frame ground, ground braid, or green-wire ground.
- Use an ESD common ground or reference point when working on a double-insulated or battery-operated system. You can use coax or connector-outside shells on these systems.
- Use the round ground-prong of the ac plug on ac-operated computers.

---

## Grounding requirements

Electrical grounding of the computer is required for operator safety and correct system function. Proper grounding of the electrical outlet can be verified by a certified electrician.

---

## Safety notices (multi-lingual translations)

The caution and danger safety notices in this section are provided in the following languages:

- English
- Arabic
- Brazilian/Portuguese
- Chinese (simplified)
- Chinese (traditional)

- French
- German
- Hebrew
- Italian
- Korean
- Spanish



**DANGER**

Electrical current from power, telephone and communication cables is hazardous.

**To avoid a shock hazard:**

- **Do not connect or disconnect any cables or perform installation, maintenance, or reconfiguration of this product during an electrical storm.**
- **Connect all power cords to a properly wired and grounded electrical outlet.**
- **Connect to properly wired outlets any equipment that will be attached to this product.**
- **When possible, use one hand only to connect or disconnect signal cables.**
- **Never turn on any equipment when there is evidence of fire, water, or structural damage.**
- **Disconnect the attached power cords, telecommunications systems, networks, and modems before you open the device covers, unless instructed otherwise in the installation and configuration procedures.**
- **Connect and disconnect cables as described in the following tables when installing, moving, or opening covers on this product or attached devices.**

To Connect	To Disconnect
1. Turn everything OFF. 2. First, attach all cables to devices. 3. Attach signal cables to connectors. 4. Attach power cords to outlet. 5. Turn device ON.	1. Turn everything OFF. 2. First, remove power cords from outlet. 3. Remove signal cables from connectors. 4. Remove all cables from devices.



**CAUTION:**

**When replacing the lithium battery, use only Part Number 45C1566 or an equivalent type battery recommended by the manufacturer. If your system has a module containing a lithium battery, replace it only with the same module type made by the same manufacturer. The battery contains lithium and can explode if not properly used, handled, or disposed of. Do not:**

- **Throw or immerse into water**
- **Heat to more than 100°C (212°F)**
- **Repair or disassemble**

**Dispose of the battery as required by local ordinances or regulations.**



**CAUTION:**

When laser products (such as CD-ROMs, DVD-ROM drives, fiber optic devices, or transmitters) are installed, note the following:

- Do not remove the covers. Removing the covers of the laser product could result in exposure to hazardous laser radiation. There are no serviceable parts inside the device.
- Use of controls or adjustments or performance of procedures other than those specified herein might result in hazardous radiation exposure.



**DANGER**

Some laser products contain an embedded Class 3A or Class 3B laser diode. Note the following:

Laser radiation when open. Do not stare into the beam, do not view directly with optical instruments, and avoid direct exposure to the beam.



≥18 kg (37 lbs)



≥32 kg (70.5 lbs)



≥55 kg (121.2 lbs)

**CAUTION:**

Use safe practices when lifting.



**CAUTION:**

The power control button on the device and the power switch on the power supply do not turn off the electrical current supplied to the device. The device also might have more than one power cord. To remove all electrical current from the device, ensure that all power cords are disconnected from the power source.





التيار الكهربائي الموجود بمصدر الطاقة أو أجهزة التليفون أو أسلاك الاتصالات يشكل خطورة.

لتفادي مخاطر الصدمات الكهربائية:

لا تحاول توصيل أو فصل أي أسلاك أو القيام بعمليات تركيب أو صيانة أو إعادة توصيف لهذا المنتج أثناء وجود عاصفة كهربائية.

يجب توصيل كل أسلاك الكهرباء في مخارج كهرباء ذات توصيلات أسلاك وتوصيلات أرضية صحيحة  
يجب توصيل أي جهاز سيتم الحاقه بهذا المنتج في مخارج كهرباء ذات توصيلات أسلاك صحيحة.

وإن أمكن يجب استخدام يد واحدة فقط في توصيل أو فصل أسلاك الإشارة.

لا تحاول تشغيل أي جهاز إذا كان هناك أثر لحرق أو مياه أو تلف بالمكونات

يجب فصل أسلاك الكهرباء وأنظمة الاتصالات وشبكات الاتصال وأجهزة المودم الملحقة قبل فتح أغطية الجهاز، مالم يتم طلب خلاف ذلك في التعليمات الخاصة بالتركيب والتوصيف.  
قم بتوصيل وفصل الأسلاك كما هو موضح في الجدول التالي وذلك عند القيام بعمليات التركيب أو النقل أو فتح أغطية هذا المنتج أو الأجهزة الملحقة.

#### للفصل:

- قم بإيقاف كل شيء.
- أولاً، قم بفصل كل أسلاك الكهرباء من المخرج.
- قم بفصل أسلاك الإشارة من الموصلات.
- قم بفصل كل الأسلاك من الأجهزة.

#### للتوصيل:

- قم بإيقاف كل شيء.
- أولاً، قم بتوصيل كل الأسلاك بالأجهزة.
- قم بتوصيل أسلاك الإشارة في لموصلات.
- قم بتوصيل أسلاك الكهرباء في المخارج.
- قم بتشغيل الجهاز.



تنبيه :

عند استبدال البطارية الليثيوم، استخدم فقط رقم الجزء الخاص **Part Number 45C1566** أو نوع آخر يكون على نفس مستوى الكفاءة يحدده لك المصنع.

إذا كان النظام الخاص يستخدم معه بطارية ليثيوم قم باستبدالها بنفس النوع الذي تم صناعته من خلال نفس المصنع. تحتوي البطارية على مادة الليثيوم ويمكن أن تنفجر في حالة عدم استخدامها أو التعامل معها بطريقة صحيحة أو عند التخلص منها بطريقة خطأ.

لا تقم بـ:

- القاء البطارية أو غمرها في الماء
- تسخينها أعلى من ١٠٠ درجة مئوية و(٢١٢ ° فهرنهايت)
- بتصليحها أو فكها

تخلص من البطارية طبقاً للقانون أو النظام المحلي .



تنبيه :  
أثناء تركيب منتجات ليزر (مثل CD-ROMs أو وحدة تشغيل DVD أو أجهزة Fiber Optic أو وحدات الإرسال) يجب مراعاة الآتي:

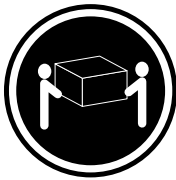
لا تنزع الأغطية. قد ينتج عن نزع أغطية منتج الليزر انفجار أشعة الليزر شديدة الخطورة.  
لا يوجد أجزاء يمكن تغييرها داخل الجهاز. قد ينتج عن استخدام تحكيمات أو تعديلات أو عمل أي تصرفات أخرى تخالف ما هو محدد هنا إلى انفجار أشعة شديدة الخطورة.



خطر

تحتوي بعض منتجات الليزر على الفئة دايود ليزر مدمج من الفئة Class 3A أو Class 3B. يجب مراعاة الآتي .

أشعة الليزر عند الفتح. لا تحقق إلى الإشعاع و لا تنظر إليه مباشرة بواسطة أي أجهزة مرئية وتجنب التعرض المباشر للإشعاع .



≥18 kg (37 lbs)



≥32 kg (70.5 lbs)

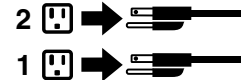


≥55 kg (121.2 lbs)

تنبيه :  
يجب استخدام ممارسات أمانة عند الرفع



تنبيه :  
لا يقرم زر التحكم في التشغيل الموجود على الجهاز والمفتاح الكهربائي الموجود على لوحة التحكم بإيقاف التيار الكهربائي المار بالجهاز. قد يكون للجهاز أكثر من سلك كهربائي واحد. لإيقاف التيار الكهربائي المار بالجهاز، تأكد من فصل جميع أسلاك الكهرباء من مصدر الكهرباء .



PERIGO

A corrente elétrica proveniente de cabos de alimentação, de telefone e de comunicações é perigosa.

Para evitar risco de choque elétrico:

- Não conecte nem desconecte nenhum cabo ou execute instalação, manutenção ou reconfiguração deste produto durante uma tempestade com raios.
- Conecte todos os cabos de alimentação a tomadas elétricas corretamente instaladas e aterradas.
- Todo equipamento que for conectado a este produto deve ser conectado a tomadas corretamente instaladas.
- Quando possível, utilize apenas uma das mãos para conectar ou desconectar cabos de sinal.
- Nunca ligue nenhum equipamento quando houver evidência de fogo, água ou danos estruturais.
- Antes de abrir tampas de dispositivos, desconecte cabos de alimentação, sistemas de telecomunicação, redes e modems conectados, a menos que especificado de maneira diferente nos procedimentos de instalação e configuração.
- Conecte e desconecte os cabos conforme descrito na tabela apresentada a seguir ao instalar, mover ou abrir tampas deste produto ou de dispositivos conectados.

Para Conectar:	Para Desconectar:
<ol style="list-style-type: none"><li>1. DESLIGUE Tudo.</li><li>2. Primeiramente, conecte todos os cabos aos dispositivos.</li><li>3. Conecte os cabos de sinal aos conectores.</li><li>4. Conecte os cabos de alimentação às tomadas.</li><li>5. LIGUE os dispositivos.</li></ol>	<ol style="list-style-type: none"><li>1. DESLIGUE Tudo.</li><li>2. Primeiramente, remova os cabos de alimentação das tomadas.</li><li>3. Remova os cabos de sinal dos conectores.</li><li>4. Remova todos os cabos dos dispositivos.</li></ol>



#### **CUIDADO:**

**Ao substituir a bateria de lítio, utilize apenas uma bateria com Número de Peça 45C1566 ou um tipo de bateria equivalente recomendado pelo Se o seu sistema possui um módulo com uma bateria de lítio, substitua-o apenas por um módulo do mesmo tipo e do mesmo fabricante. A bateria contém lítio e pode explodir se não for utilizada, manuseada ou descartada de maneira correta.**

Não:

- Jogue ou coloque na água
- Aqueça a mais de 100°C (212°F)
- Conserte nem desmonte

Descarte a bateria conforme requerido pelas leis ou regulamentos locais.



#### **PRECAUCIÓN:**

Quando produtos a laser (como unidades de CD-ROMs, unidades de DVD-ROM, dispositivos de fibra ótica ou transmissores) estiverem instalados, observe o seguinte:

- Não remova as tampas. A remoção das tampas de um produto a laser pode resultar em exposição prejudicial à radiação de laser. Não existem peças que podem ser consertadas no interior do dispositivo.
- A utilização de controles ou ajustes ou a execução de procedimentos diferentes dos especificados aqui pode resultar em exposição prejudicial à radiação.

## PERIGO

Alguns produtos a laser contêm diodo de laser integrado da Classe 3A ou da Classe 3B. Observe o seguinte:

Radiação a laser quando aberto. Não olhe diretamente para o feixe a olho nu ou com instrumentos ópticos e evite exposição direta ao feixe.



≥18 kg (37 lbs)



≥32 kg (70.5 lbs)



≥55 kg (121.2 lbs)

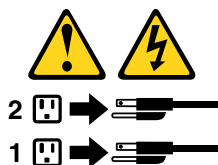
## CUIDADO:

Utilize procedimentos de segurança para levantar equipamentos.



## CUIDADO:

O botão de controle de alimentação do dispositivo e o botão para ligar/desligar da fonte de alimentação não desligam a corrente elétrica fornecida ao dispositivo. O dispositivo também pode ter mais de um cabo de alimentação. Para remover toda a corrente elétrica do dispositivo, assegure que todos os cabos de alimentação estejam desconectados da fonte de alimentação.



危险

电源、电话和通信电缆中的电流是危险的。

为避免电击危险：

- 请勿在雷电期间连接或断开任何电缆的连接，或者对本产品进行安装、维护或重新配置。
- 将所有电源线连接到正确连线和妥善接地的电源插座。
- 将所有要连接到该产品的设备连接到正确连线的插座。
- 如果可能，请仅使用一只手来连接或断开信号电缆的连接。
- 切勿在有火、水、结构损坏迹象的情况下开启任何设备。
- 在打开设备外盖之前请断开已连接的电源线、远程通信系统、网络和调制解调器，除非在安装和配置过程中另有说明。
- 当安装、移动或打开该产品或连接设备的外盖时，请按照下表所述来连接或断开电缆的连接。

要连接	要断开连接
<ol style="list-style-type: none"><li>1. 切断所有电源。</li><li>2. 首先将所有电缆连接到设备。</li><li>3. 将信号电缆连接到接口。</li><li>4. 将电源线连接到插座。</li><li>5. 开启设备。</li></ol>	<ol style="list-style-type: none"><li>1. 切断所有电源。</li><li>2. 首先从插座上拔出电源线。</li><li>3. 从接口上拔出信号电缆。</li><li>4. 从设备上拔出所有电缆。</li></ol>



警告：  
更换锂电池时，请仅使用部件号为 45C1566 的电池或制造商推荐的同类电池。如果您的系统有包含锂电池的模块，请仅使用同一制造商生产的相同模块类型来替换该模块。该电池中含有锂，如果使用、操作或处理不当，可能会发生爆炸。

切勿：

- 投入或浸入水中
- 加热到 100°C (212°F) 以上
- 维修或拆卸

请按照当地法令或条例的要求处理电池。



警告：  
安装激光产品（例如 CD-ROM、DVD-ROM 驱动器、光纤设备或发射设备）时，请注意以下声明：

- 请勿卸下外盖。卸下激光产品的外盖可能导致遭受激光辐射的危险。该设备内没有可维修的部件。
- 如果不按照此处指定的过程进行控制、调整或操作，则有可能导致遭受辐射的危险。



危险

某些激光产品包含嵌入式 3A 类或 3B 类激光二极管。请注意以下声明：

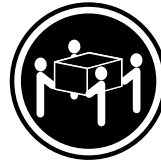
打开后有激光辐射。请勿注视光束，请勿直接用光学仪器查看，并请避免直接暴露在光束中。



≥18 千克 (37 磅)



≥32 千克 (70.5 磅)



≥55 千克 (121.2 磅)

警告：  
抬起时请采取安全措施。



警告：  
设备上的电源控制按钮和电源上的电源开关不会切断供给该设备的电流。该设备还可能有多条电源线。要切断该设备的所有电流，请确保所有电源线都与电源断开连接。



## 危險

電源、電話及通訊纜線上的電流都具有危險性。

若要避免觸電危險：

- 請勿在雷雨期間，連接或拔除纜線、執行安裝、維護或重新配置本產品。
- 將所有電源線連接到正確配線及接地的電源插座。
- 任何與本產品連接的設備都必須連接到配線妥當的電源插座。
- 請盡可能用單手連接或拔除信號線。
- 發生火災、水災或結構損害時，絕對不要開啟任何設備。
- 除非在安裝及配置程序中另有指示，否則在開啟裝置機蓋之前，請拔掉連接的電源線、電信系統、網路及數據機。
- 安裝、移動或開啟本產品或附屬裝置的機蓋時，請遵循下列說明連接及拔掉纜線。

連線	切斷連線
<ol style="list-style-type: none"><li>1. 關閉所有開關。</li><li>2. 首先，連接所有接線到裝置。</li><li>3. 連接信號線到接頭。</li><li>4. 連接電源線到插座。</li><li>5. 開啟裝置。</li></ol>	<ol style="list-style-type: none"><li>1. 關閉所有開關。</li><li>2. 首先，拔掉插座上的電源線。</li><li>3. 拔掉接頭上的信號線。</li><li>4. 拔掉裝置上所有接線。</li></ol>



### 警告：

更換鋰電池時，請僅使用產品編號 **45C1566** 或製造商所建議的同類型電池。  
如果您的系統中含有鋰電池模組，請僅使用同一家製造商所生產的相同模組進行更換。  
如果未以正確方式使用、處理或棄置含鋰的電池，會有爆炸的危險。  
請勿：

- 沾溼或浸入水中
  - 置於 **100°C (212°F)** 以上的高溫環境
  - 修理或拆開
- 請按照各地區有關廢棄電池的法令和規定處理舊電池。



### 警告：

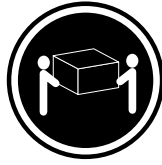
- 請勿移除機蓋。移除雷射產品的機蓋，可能會導致暴露在危險的雷射輻射中。裝置內部並無可自行維修的零件。
- 利用或執行非本文中所指定的控制、調整及執行程序，可能會導致危險的輻射外洩。



## 危險

部分雷射產品含有內嵌式 **Class 3A** 或 **Class 3B** 雷射二極體。請注意下列事項：  
在開啟光碟機時，會發生雷射輻射。請勿直視光束或用光學儀器直接檢視，並避免直接暴露在光束中。





≥ 18 公斤 (37 磅)



≥ 32 公斤 (70.5 磅)

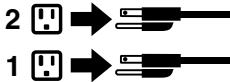


≥ 55 公斤 (121.2 磅)

警告：  
搬運時請注意安全。



警告：  
裝置上的電源控制按鈕及電源供應器上的電源開關，無法關閉裝置所產生的電流。  
該裝置可能有多條電源線。若要除去裝置流出的所有電流，請確認已切斷所有電源線的電源。



## DANGER

Le courant électrique provenant de l'alimentation, du téléphone et des câbles de transmission peut présenter un danger.

Pour éviter tout risque de choc électrique :

- Ne manipulez aucun câble et n'effectuez aucune opération d'installation, d'entretien ou de reconfiguration de ce produit au cours d'un orage.
- Branchez tous les cordons d'alimentation sur un socle de prise de courant correctement câblé et mis à la terre.
- Branchez sur des socles de prise de courant correctement câblés tout équipement connecté à ce produit.
- Lorsque cela est possible, n'utilisez qu'une seule main pour connecter ou déconnecter les câbles d'interface.
- Ne mettez jamais un équipement sous tension en cas d'incendie ou d'inondation, ou en présence de dommages matériels.
- Avant de retirer les carters de l'unité, mettez celle-ci hors tension et déconnectez ses cordons d'alimentation, ainsi que les câbles qui la relient aux réseaux, aux systèmes de télécommunication et aux modems (sauf instruction contraire mentionnée dans les procédures d'installation et de configuration).
- Lorsque vous installez, que vous déplacez, ou que vous manipulez le présent produit ou des périphériques qui lui sont raccordés, reportez-vous aux instructions ci-dessous pour connecter et déconnecter les différents cordons.



Connexion	Déconnexion
<ol style="list-style-type: none"> <li>1. Mettez les unités HORS TENSION.</li> <li>2. Commencez par brancher tous les cordons sur les unités.</li> <li>3. Branchez les câbles d'interface sur des connecteurs.</li> <li>4. Branchez les cordons d'alimentation sur des prises.</li> <li>5. Mettez les unités SOUS TENSION.</li> </ol>	<ol style="list-style-type: none"> <li>1. Mettez les unités HORS TENSION.</li> <li>2. Débranchez les cordons d'alimentation des prises.</li> <li>3. Débranchez les câbles d'interface des connecteurs.</li> <li>4. Débranchez tous les câbles des unités.</li> </ol>



#### ATTENTION:

Remplacer la pile au lithium usagée par une pile de référence identique exclusivement, (référence 45C1566), ou suivre les instructions du fabricant qui en définit les équivalences. Si votre système est doté d'un module contenant une pile au lithium, vous devez le remplacer uniquement par un module identique, produit par le même fabricant. La pile contient du lithium et peut exploser en cas de mauvaise utilisation, de mauvaise manipulation ou de mise au rebut inappropriée.

Ne pas :

- la jeter à l'eau,
- l'exposer à des températures supérieures à 100°C,
- chercher à la réparer ou à la démonter.

Ne pas mettre la pile à la poubelle. Pour la mise au rebut, se reporter à la réglementation en vigueur.



#### ATTENTION:

Si des produits à laser (tels que des unités de CD-ROM, de DVD-ROM, des unités à fibres optiques, ou des émetteurs) sont installés, prenez connaissance des informations suivantes :

- Ne retirez pas le carter. En ouvrant l'unité de CD-ROM ou de DVD-ROM, vous vous exposez au rayonnement dangereux du laser. Aucune pièce de l'unité n'est réparable.
- Pour éviter tout risque d'exposition au rayon laser, respectez les consignes de réglage et d'utilisation des commandes, ainsi que les procédures décrites dans le présent manuel.



#### DANGER

Certains produits à laser contiennent une diode à laser intégrée de classe 3A ou 3B. Prenez connaissance des informations suivantes:

Rayonnement laser lorsque le carter est ouvert. Evitez toute exposition directe au rayon laser. Evitez de regarder fixement le faisceau ou de l'observer à l'aide d'instruments optiques.



≥18 kg (37 lbs)



≥32 kg (70.5 lbs)



≥55 kg (121.2 lbs)

#### ATTENTION:

Soulevez la machine avec précaution.



#### ATTENTION:

L'interrupteur de contrôle d'alimentation de l'unité et l'interrupteur dubloc d'alimentation ne coupent pas le courant électrique alimentant l'unité. En outre, le système peut être équipé de plusieurs cordons d'alimentation. Pour mettre l'unité hors tension, vous devez déconnecter tous les cordons de la source d'alimentation.



#### VORSICHT

An Netz-, Telefon- und Datenleitungen können gefährliche Spannungen anliegen.

#### Aus Sicherheitsgründen:

- Bei Gewitter an diesem Gerät keine Kabel anschließen oder lösen. Ferner keine Installations-, Wartungs- oder Rekonfigurationsarbeiten durchführen.
- Gerät nur an eine Schutzkontaktsteckdose mit ordnungsgemäß geerdetem Schutzkontakt anschließen.
- Alle angeschlossenen Geräte ebenfalls an Schutzkontaktsteckdosen mit ordnungsgemäß geerdetem Schutzkontakt anschließen.
- Die Signalkabel nach Möglichkeit einhändig anschließen oder lösen, um einen Stromschlag durch Berühren von Oberflächen mit unterschiedlichem elektrischem Potenzial zu vermeiden.
- Geräte niemals einschalten, wenn Hinweise auf Feuer, Wasser oder Gebäudeschäden vorliegen.

- Die Verbindung zu den angeschlossenen Netzkabeln, Telekommunikationssystemen, Netzwerken und Modems ist vor dem Öffnen des Gehäuses zu unterbrechen, sofern in den Installations- und Konfigurationsprozeduren keine anders lautenden Anweisungen enthalten sind.
- Zum Installieren, Transportieren und Öffnen der Abdeckungen des Computers oder der angeschlossenen Einheiten die Kabel gemäß der folgenden Tabelle anschließen und abziehen.

Zum Anschließen der Kabel gehen Sie wie folgt vor	Zum Abziehen der Kabel gehen Sie wie folgt vor
<ol style="list-style-type: none"> <li>1. Schalten Sie alle Einheiten AUS.</li> <li>2. Schließen Sie erst alle Kabel an die Einheiten an.</li> <li>3. Schließen Sie die Signalkabel an die Buchsen an.</li> <li>4. Schließen Sie die Netzkabel an die Steckdose an.</li> <li>5. Schalten Sie die Einheit EIN.</li> </ol>	<ol style="list-style-type: none"> <li>1. Schalten Sie alle Einheiten AUS.</li> <li>2. Ziehen Sie zuerst alle Netzkabel aus den Netzsteckdosen.</li> <li>3. Ziehen Sie die Signalkabel aus den Buchsen.</li> <li>4. Ziehen Sie alle Kabel von den Einheiten ab.</li> </ol>



#### CAUTION:

Eine verbrauchte Lithiumbatterie nur durch eine Batterie mit der Teilenummer 45C1566 oder eine gleichwertige, vom Hersteller empfohlene Batterie ersetzen. Enthält das System ein Modul mit einer Lithiumbatterie, dieses nur durch ein Modul desselben Typs und von demselben Hersteller ersetzen. Die Batterie enthält Lithium und kann bei unsachgemäßer Verwendung, Handhabung oder Entsorgung explodieren.

Die Batterie nicht:

- mit Wasser in Berührung bringen.
- über 100 C erhitzen.
- reparieren oder zerlegen.

Die örtlichen Bestimmungen für die Entsorgung von Sondermüll beachten.



#### ACHTUNG:

Bei der Installation von Lasergeräten (wie CD-ROM-Laufwerken, DVD- aufwerken, Einheiten mit Lichtwellenleitertechnik oder Sendern) Folgendes beachten:

- Die Abdeckungen nicht entfernen. Durch Entfernen der Abdeckungen des Lasergeräts können gefährliche Laserstrahlungen freigesetzt werden. Das Gerät enthält keine zu wartenden Teile.
- Werden Steuerelemente, Einstellungen oder Durchführungen von Prozeduren anders als hier angegeben verwendet, kann gefährliche Laserstrahlung auftreten.



#### VORSICHT

Einige Lasergeräte enthalten eine Laserdiode der Klasse 3A oder 3B. Beachten Sie Folgendes:

Laserstrahlung bei geöffneter Verkleidung. Nicht in den Strahl blicken. Keine Lupen oder Spiegel verwenden. Strahlungsbereich meiden.



≥18 kg (37 lbs)



≥32 kg (70.5 lbs)



≥55 kg (121.2 lbs)

**ACHTUNG:**

Arbeitsschutzrichtlinien beim Anheben der Maschine beachten.



**ACHTUNG:**

Mit dem Netzschalter an der Einheit und am Netzteil wird die Stromversorgung für die Einheit nicht unterbrochen. Die Einheit kann auch mit mehreren Netzkabeln ausgestattet sein. Um die Stromversorgung für die Einheit vollständig zu unterbrechen, müssen alle zum Gerät führenden Netzkabel vom Netz getrennt werden.



## סכנה

זרם חשמלי המועבר בכבלי חשמל, טלפון ותקשורת הוא מסוכן.

כדי להימנע מסכנת התחשמלות:

- אל תחברו או תנתקו כבלים, ואל תבצעו פעולת התקנה, תחזוקה או שינוי תצורה במוצר זה במהלך סופת ברקים.
- חברו את כל כבלי החשמל לשקע חשמל מחווט ומוארק כהלכה.
- חברו כל ציוד שיחובר למוצר זה לשקעי חשמל מחוטים כהלכה.
- במידת האפשר, השתמשו ביד אחת בלבד לחיבור או לניתוק של כבלי אותות.
- לעולם אל תפעילו ציוד כלשהו כאשר יש עדות לנזק מבני או לנזק כתוצאה מאש או ממים.
- נתקו את כבלי החשמל, מערכות התקשורת, התקני הרשת והמודמים המחוברים לפני פתיחת כיסויי ההתקן, אלא אם הליכי ההתקנה וקביעת התצורה מורים אחרת.
- בעת התקנה, העברה או פתיחת כיסויים במוצר זה או בהתקנים המחוברים, חברו ונתקו את הכבלים כמתואר בטבלה שלהלן.

כדי לחבר	כדי לנתק
1. כבו הכל.	1. כבו הכל.
2. ראשית, חברו את כל הכבלים להתקנים.	2. ראשית, נתקו את כבלי החשמל מהשקעים.
3. חברו את כבלי האותות למחברים.	3. נתקו את כבלי האותות מהמחברים.
4. חברו את כבלי החשמל לשקעים.	4. הסירו את כל הכבלים מההתקנים.
5. הפעילו את ההתקן.	



זהירות:

בעת החלפת סוללת הליתיום, השתמשו רק בסוללה בעלת מק"ט 45C1566 או בסוג תואם שהומלץ על ידי היצרן. אם המערכת כוללת מודול המכיל סוללת ליתיום, החליפו אותו רק במודול מאותו סוג ומתוצרת אותו יצרן. הסוללה מכילה ליתיום, ועלולה להתפוצץ אם לא משתמשים ומטפלים בה או משליכים אותה כראוי.

לעולם:

- אל תטבלו במים
  - אל תחממו לטמפרטורה הגבוהה מ-100°C (212°F)
  - אל תתקנו או תפרקו
- השליכו את הסוללה כנדרש לפי התקנות והחוקים המקומיים.



זהירות:

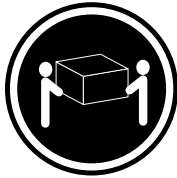
בעת התקנת מוצרי לייזר (כגון כונני תקליטורים ו-DVD, התקני סיב אופטי או משדרים), שימו לב לאזהרות הבאות:

- אל תסירו את הכיסויים. הסרת הכיסויים של מוצר הלייזר עלולה לגרום לחשיפה לקרינת לייזר מסוכנת. אין חלקים ברי טיפול בתוך ההתקן.
- שינויים, שימוש בבקורות או ביצוע הליכים אחרים מאלה המתוארים כאן, עלולים לגרום לחשיפה לקרינה מסוכנת.



סכנה

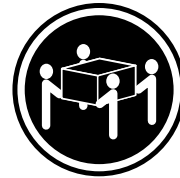
מוצרי ליזר מסוימים מכילים דיודת ליזר מסוג Class 3A או Class 3B. שימו לב לאזהרה הבאה:  
כאשר הוא פתוח, המוצר פולט קרינת ליזר. אל תביטו ישירות בקרן, אל תביטו ישירות בעזרת ציוד אופטי,  
והימענו מחשיפה לקרן.



$18 \leq$  ק"ג (37 ליב')



$32 \leq$  ק"ג (70.5 ליב')



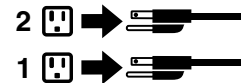
$55 \leq$  ק"ג (121.2 ליב')

זהירות:  
השתמשו בהליכים  
הנאותים בעת  
הרמת הציוד.



זהירות:

לחצן ההפעלה של ההתקן ומתג ההפעלה של ספק החשמל אינם מפסיקים את זרם החשמל המסופק להתקן.  
בנוסף, ההתקן עשוי לכלול יותר מכבל חשמל אחד. כדי לסלק את כל הזרם החשמלי מההתקן,  
ודאו שכל כבלי החשמל מנותקים ממקור החשמל.



## PERICOLO

La corrente elettrica proveniente dai cavi di alimentazione, del telefono e di comunicazione può essere pericolosa.

**Per evitare il rischio di scosse elettriche:**

- **Non collegare o scollegare qualsiasi cavo oppure effettuare l'installazione, la manutenzione o la riconfigurazione del prodotto durante un temporale.**
- **Collegare tutti i fili elettrici a una presa di alimentazione correttamente cablata e dotata di messa a terra.**
- **Collegare alle prese elettriche appropriate tutte le apparecchiature che verranno utilizzate per questo prodotto.**

- Se possibile, utilizzare solo una mano per collegare o scollegare i cavi di segnale.
- Non accendere assolutamente apparecchiature in presenza di incendi, perdite d'acqua o danno strutturale.
- Scollegare i cavi di alimentazione, i sistemi di telecomunicazione, le reti e il modem prima di aprire i coperchi del dispositivo, salvo istruzioni contrarie relative alle procedure di installazione e configurazione.
- Collegare e scollegare i cavi come descritto nella seguente tabella quando vengono effettuate operazioni di installazione, spostamento o apertura dei coperchi di questo prodotto o delle unità collegate.

Per collegarsi	Per scollegarsi
1. SPEGNERE le apparecchiature. 2. Innanzitutto, collegare tutti i cavi alle unità. 3. Collegare i cavi di segnale ai connettori. 4. Collegare i cavi di alimentazione alla presa. 5. Accendere l'unità.	1. SPEGNERE le apparecchiature. 2. Innanzitutto, rimuovere i cavi di alimentazione dalla presa. 3. Rimuovere i cavi di segnale dai connettori. 4. Rimuovere tutti i cavi dalle unità.



#### ATTENZIONE:

Quando si sostituisce la batteria al litio, utilizzare solo il Numero parte 45C1566 o un tipo di batteria equivalente consigliato dal produttore. Se sul sistema è presente un modulo che contiene una batteria al litio, sostituirlo solo con un tipo di modulo dello stesso tipo della stessa casa di produzione. La batteria contiene litio e può esplodere se usata, maneggiata o smaltita in modo non corretto.

*Non:*

- Gettare o immergere la batteria nell'acqua
- Riscaldarla ad una temperatura superiore ai 100 gradi C (212 gradi F)
- Smontarla, ricaricarla o tentare di ripararla

Le batterie usate vanno smaltite in accordo alla normativa in vigore (DPR 915/82 e successive disposizioni e disposizioni locali).



#### ATTENZIONE:

Quando vengono installati prodotti laser (quali CD-ROM, unità DVD-ROM, unità a fibre ottiche o trasmettenti), tener presente quanto segue:

- Non rimuovere gli sportelli. L'apertura di un'unità laser può determinare l'esposizione a radiazioni laser pericolose. All'interno dell'unità non vi sono parti su cui effettuare l'assistenza tecnica.
- L'utilizzo di controlli, regolazioni o l'esecuzione di procedure non descritti nel presente manuale possono provocare l'esposizione a radiazioni pericolose.



## PERICOLO

Alcune unità laser contengono un diodo laser di Classe 3A o Classe 3B. Tener presente quanto segue:

Aperto l'unità vengono emesse radiazioni laser. Non fissare il fascio, non guardarlo direttamente con strumenti ottici ed evitare l'esposizione al fascio.



≥18 kg (37 lbs)



≥32 kg (70.5 lbs)



≥55 kg (121.2 lbs)

## ATTENZIONE:

Prestare attenzione nel sollevare l'apparecchiatura.



## ATTENZIONE:

Il pulsante di controllo dell'alimentazione presente sull'unità e l'interruttore dell'alimentatore non disattivano l'alimentazione corrente fornita all'unità. E' possibile che l'unità disponga di più cavi di alimentazione. Per disattivare l'alimentazione dall'unità, accertarsi che tutti i cavi di alimentazione siano scollegati dalla fonte di alimentazione.





## 위험

전원, 전화, 통신 케이블의 전류는 위험합니다.

감전의 위험을 피하려면 다음과 같이 하십시오.

- 번개가 치는 날에는 케이블을 연결 또는 분리하거나 본 제품을 설치, 보수, 재구성하지 마십시오.
- 모든 전원 코드는 올바르게 접지된 전기 콘센트에 연결하십시오.
- 본 제품에 연결될 장치는 올바르게 배선된 콘센트에 연결하십시오.
- 신호 케이블을 연결 또는 분리할 때 가능하면 한 손만을 사용하십시오.
- 불 또는 물로 인한 손상이나 구조적인 손상이 있을 경우 장치의 전원을 절대 켜지 마십시오.
- 설치 및 구성 과정에 별도의 지시 사항이 없는 경우, 장치의 덮개를 열기 전에 연결된 전원 코드, 원격 통신 시스템, 네트워크, 모뎀을 분리하십시오.
- 본 제품이나 연결된 장치를 설치, 이동하거나 덮개를 열 때 다음 표와 같은 순서로 케이블을 연결하거나 분리하십시오.

연결할 때:	분리할 때:
<ol style="list-style-type: none"><li>1. 모든 장치의 전원을 끄십시오.</li><li>2. 먼저 모든 케이블을 장치에 연결하십시오.</li><li>3. 커넥터에 신호 케이블을 연결하십시오.</li><li>4. 콘센트에 전원 코드를 연결하십시오.</li><li>5. 장치의 전원을 켜십시오.</li></ol>	<ol style="list-style-type: none"><li>1. 모든 장치의 전원을 끄십시오.</li><li>2. 먼저 콘센트에서 전원 코드를 분리하십시오.</li><li>3. 커넥터에서 신호 케이블을 분리하십시오.</li><li>4. 장치에서 모든 케이블을 분리하십시오.</li></ol>



### 주의:

배터리를 교환할 때는 Part Number 45C1566 또는 제조업체에서 지정한 동일한 종류의 제품을 사용하십시오. 사용자의 시스템이 리튬 배터리를 포함하는 모듈일 경우, 동일한 제조업체에서 동일한 모듈 유형으로 생산된 제품으로 교체하십시오. 배터리에는 리튬이 함유되어 있어 잘못 사용, 취급 또는 폐기할 경우 폭발의 위험이 있습니다.

사고를 방지하려면 다음 사항을 준수하십시오.

- 배터리를 물 속에 던지거나 침수시키지 마십시오.
- 100°C (212°F) 이상 가열하지 마십시오.
- 수리하거나 분해하지 마십시오.

배터리를 폐기할 때는 법령 또는 회사의 안전 수칙에 따라 폐기하십시오.



### 주의:

CD-ROM, DVD-ROM 장치, 광섬유 장치 또는 송신 장치와 같은 레이저 제품을 설치할 때, 다음과 같은 취급 주의사항을 참고하십시오.

- 덮개를 열지 마십시오. 덮개를 열면 레이저 복사 에너지에 노출될 위험이 있습니다. 장치 내부에는 사용자가 조정하거나 수리할 수 있는 부품이 없습니다.
- 규정된 것 이외의 절차 수행, 제어 조정 등의 행위로 인해 해로운 레이저 복사에 노출될 수 있습니다.



## 위험

일부 장비에는 임베디드 클래스 3A 또는 클래스 3B 레이저 다이오드가 있습니다. 다음 주의사항에 유의하십시오.

드라이브가 열리면 레이저 복사 에너지가 방출됩니다. 광선이 눈에 직접 쏘이지 않도록 하십시오. 나안 또는 광학 기구를 착용한 상태에서 광선을 직접 바라보지 않도록 하십시오.



≥ 18 kg (37 lbs)



≥ 32 kg (70.5 lbs)



≥ 55 kg (121.2 lbs)

주의:  
제품을 들어 올릴 때  
안전 규제를 따르십시오.



주의:  
장치의 전원 제어 버튼 및 전원 공급 장치의 전원 스위치를 사용하여 장치에 공급되는 전기를 차단하지 마십시오.  
장치는 둘 이상의 코드를 가지고 있을 수 있습니다. 장치에서 모든 전원을 차단하려면 콘센트에서 코드가 모두  
분리되어 있는지 확인하십시오.



## PELIGRO

La corriente eléctrica procedente de cables de alimentación, teléfonos y cables de comunicación puede ser peligrosa.

Para evitar el riesgo de descarga eléctrica:

- No conecte ni desconecte los cables ni realice ninguna tarea de instalación, mantenimiento o reconfiguración de este producto durante una tormenta eléctrica.
- Conecte todos los cables de alimentación a tomas de corriente debidamente cableadas y conectadas a tierra.
- Cualquier equipo que se conecte a este producto también debe conectarse a tomas de corriente debidamente cableadas.
- Siempre que sea posible, utilice una sola mano para conectar o desconectar los cables de señal.
- No encienda nunca un equipo cuando hay señales de fuego, agua o daños estructurales.

- **Desconecte los cables de alimentación, los sistemas de telecomunicaciones, las redes y los módems conectados antes de abrir las cubiertas de los dispositivos, a menos que se indique lo contrario en los procedimientos de instalación y configuración.**
- **Conecte y desconecte los cables, como se describe en la tabla siguiente, cuando instale, mueva o abra las cubiertas de este producto o de los dispositivos conectados.**

Para conectar	Para desconectar
<ol style="list-style-type: none"> <li>1. APÁGUELO todo.</li> <li>2. En primer lugar, conecte todos los cables a los dispositivos.</li> <li>3. Conecte los cables de señal a los conectores.</li> <li>4. Enchufe los cables de alimentación a las tomas de corriente.</li> <li>5. Encienda el dispositivo.</li> </ol>	<ol style="list-style-type: none"> <li>1. APÁGUELO todo.</li> <li>2. En primer lugar, desenchufe los cables de alimentación de las tomas de corriente.</li> <li>3. Desconecte los cables de señal de los conectores.</li> <li>4. Desconecte todos los cables de los dispositivos.</li> </ol>



**PRECAUCIÓN:**

Quando sustituya una batería de litio, utilice solamente una batería número de pieza 45C1566 u otra de tipo equivalente recomendada por el fabricante. Si su sistema dispone de un módulo que contiene una batería de litio, reemplácelo sólo con el mismo tipo de módulo, del mismo fabricante. La batería contiene litio y puede explotar si no se utiliza, manipula o desecha correctamente.

*No debe:*

- Arrojarla al agua o sumergirla en ella
- Exponerla a temperaturas superiores a 100°C (212°F)
- Repararla o desmontarla

Deshágase de la batería según especifiquen las leyes o normas locales.



**PRECAUCIÓN:**

Quando haya productos láser (como unidades de CD-ROM, unidades de DVD, dispositivos de fibra óptica o transmisores) instalados, tenga en cuenta lo siguiente:

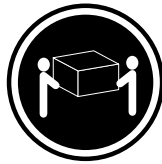
- No quite las cubiertas. Si quita las cubiertas del producto láser, podría quedar expuesto a radiación láser peligrosa. Dentro del dispositivo no existe ninguna pieza que requiera servicio técnico.
- Si usa controles o ajustes o realiza procedimientos que no sean los especificados aquí, podría exponerse a radiaciones peligrosas.



**PELIGRO**

Algunos productos láser tienen incorporado un diodo láser de clase 3A o clase 3B. Tenga en cuenta lo siguiente:

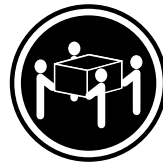
Cuando se abre, queda expuesto a radiación láser. No mire directamente al rayo láser, ni siquiera con instrumentos ópticos, y evite exponerse directamente al rayo láser.



≥18 kg (37 lbs)



≥32 kg (70.5 lbs)



≥55 kg (121.2 lbs)

**PRECAUCIÓN:**

Adopte procedimientos seguros al levantar el equipo.



**PRECAUCIÓN:**

El botón de control de alimentación del dispositivo y el interruptor de alimentación de la fuente de alimentación no desconectan la corriente eléctrica suministrada al dispositivo. Además, el dispositivo podría tener más de un cable de alimentación. Para suprimir toda la corriente eléctrica del dispositivo, asegúrese de que todos los cables de alimentación estén desconectados de la toma de corriente.



---

## Chapter 3. General information

This chapter provides general information that applies to all machine types supported by this manual.

---

### Online Books folder

**Note:** The Online Books folder is only available on computers with an internal hard disk drive and preinstalled software programs from Lenovo.

The Online Books folder preinstalled on your computer contains the *ThinkCentre User Guide*, which provides information about your computer to help you set up, use, and maintain your computer. It requires no Internet access to view the publication.

To view the publication, click **Start** → **All Programs** → **Online Books** → **Online Books**, then double-click the publication for your computer. The publication is also available on the Lenovo Support Web site at: <http://www.lenovo.com/support>

#### Notes:

1. The publication is in Portable Document Format (PDF). To view the publication, you need to have the Adobe Reader program preinstalled on your computer. If the Adobe Reader program has not been installed on your computer, a message will be displayed when you attempt to view the PDF file and you will be guided through the Adobe Reader installation.
2. The publication is available in other languages on the Lenovo Support Web site at: <http://www.lenovo.com/support>
3. If you want to install a different language version of the Adobe Reader program rather than the version preinstalled on your computer, download the desired language version from the Adobe Web site at: <http://www.adobe.com>

---

### Lenovo ThinkVantage Tools

**Note:** The Lenovo ThinkVantage® Tools program is only available on computers with an internal hard disk drive, the Microsoft® Windows® 7 operating system, and preinstalled software programs from Lenovo.

The Lenovo ThinkVantage Tools program helps you work more easily and securely by providing easy access to various tools, such as:

- Lenovo ThinkVantage Toolbox/Lenovo Solution Center
- Password Manager
- Power Manager
- Product Recovery
- Rescue and Recovery®
- ThinkVantage System Update
- SimpleTap

To access the Lenovo ThinkVantage Tools program, click **Start** → **All Programs** → **Lenovo ThinkVantage Tools**.

---

## SimpleTap

The SimpleTap program provides you with a quick way to customize some basic computer settings such as muting the speakers, adjusting the volume, locking the computer operating system, launching a program, opening a Web page, opening a file, and so on. You also can use the SimpleTap program to access the Lenovo App Shop, from which you can download various applications and computer software.

To start the SimpleTap program in a quick way, do any of the following:

- Click the red SimpleTap launch point on the desktop. The red launch point is available on the desktop after you have launched the SimpleTap program for the first time.
- Press the blue ThinkVantage button if your keyboard has one.

**Note:** The SimpleTap program is only available on certain models preinstalled with the Windows 7 operating system. If your Windows 7 model is not preinstalled with the SimpleTap program, you can download it from <http://www.lenovo.com/support>.

---

## Lenovo Solution Center

The Lenovo Solution Center program enables you to troubleshoot and resolve computer problems. It combines diagnostic tests, system information collection, security status, and support information, along with hints and tips for maximum system performance. See “Lenovo Solution Center” on page 37 for detailed information.

---

## ThinkVantage Productivity Center

**Note:** The ThinkVantage Productivity Center program is only available on computers with an internal hard disk drive, the preinstalled Microsoft Windows Vista® operating system or the preinstalled Microsoft Windows XP operating system from Lenovo.

The ThinkVantage Productivity Center program contains information sources and tools designed to make computing easy and secure. It provides easy access to various technologies, such as:

- Client Security Solution or Password Manager
- Power Manager
- Product Recovery
- Rescue and Recovery

To access the ThinkVantage Productivity Center program, click **Start** → **All Programs** → **ThinkVantage** → **Productivity Center**.

---

## Access Help

**Note:** The Access Help information system is only available on computers with an internal hard disk drive and preinstalled software programs from Lenovo.

The Access Help information system provides information about getting started, doing basic tasks, customizing settings for your personal preference, protecting data, expanding and upgrading, and troubleshooting.

- To open the Access Help information system on the Windows 7 operating system, click **Start** → **Help and Support** → **Lenovo Access Help**.
- To open the Access Help information system on the Windows Vista operating system or the Windows XP operating system, click **Start** → **All Programs** → **ThinkVantage** → **Access Help**.

After you have opened the Access Help information system, use the left panel to make a selection from the **Contents** tab or the **Index** tab, or use the **Search** tab to find a particular word or phrase.

---

## **Additional information resources**

If you have Internet access, the most up-to-date information for your computer is available at:  
<http://www.lenovo.com/support>

You can find the following information:

- Customer Replaceable Unit (CRU) installation or replacement instructions
- Downloads and drivers
- Parts information
- Publications
- Troubleshooting information
- Links to other useful sources of information

---

## Specifications

This section lists the physical specifications for your computer.

**For machine types: 3063, 3231, 3285, 4084, 4085, 4086, 4087, 6138, 6209, 6239, 6302, 7188, 7244, 7347, 7355, 7358, 7373, 7484, 7571, 7628, 7635, 7639, 8494, 8854, 9728, 9960, and 9965.**

### Dimensions

Width: 175mm (6.89 inches)

Height: 402 mm (15.83 inches)

Depth: 440 mm (17.32 inches)

### Weight

Maximum configuration as shipped: 11 kg (24.25 lbs)

**For machine types: 3379, 4083, 4088, 4099, 4138, 5897, 6137, 6234, 6258, 6303, 7174, 7220, 7346, 7354, 7357, 7360, 7483, 7582, 7627, 7630, 7638, 8910, and 9964.**

### Dimensions

Width: 317 mm (12.48 inches)

Height: 99 mm (3.9 inches)

Depth: 355 mm (13.98 inches)

### Weight

Maximum configuration as shipped: 7.5 kg (16.53 lbs)



## For all machine types

### Environment

- Air temperature:
  - Operating: 10° to 35°C (50° to 95°F)
  - Non-operating: -40° to 60°C (-40° to 140°F)
- Humidity:
  - Operating: 10% to 80% (10% per hour, non condensing)
  - Non-operating: 10% to 90% (10% per hour)
- Maximum altitude:
  - Operating: -50 to 10,000 ft (-15.2 to 3048 m)
  - Non-operating: -50 to 35,000 ft (-15.2 to 10,668 m)

### Electrical input

- Input voltage:
  - Low range:
    - Minimum: 100 V ac
    - Maximum: 127 V ac
    - Input frequency range: 50/60 Hz
    - Voltage-selection switch setting: 115 V ac
  - High range:
    - Minimum: 200 V ac
    - Maximum: 240 V ac
    - Input frequency range: 50/60 Hz
    - Voltage-selection switch setting: 230 V ac



---

## Chapter 4. General checkout

### Attention

The drives in the computer you are servicing might have been rearranged or the drive startup sequence changed. Be extremely careful during write operations such as copying, saving, or formatting. Data or programs can be overwritten if you select an incorrect drive.

General error messages appear if a problem or conflict is found by an application program, the operating system, or both. For the explanation of these messages, refer to the information supplied with that software package.

Before replacing any FRUs, ensure that the latest level of BIOS is installed on the system. A down-level BIOS might cause false errors and unnecessary replacement of the system board. For more information on how to determine and obtain the latest level BIOS, see “BIOS levels” on page 559.

**Notes:** For computer models that do not have an internal hard disk drive and use a remote hard disk drive accessed through the Secure Managed Client - Storage Array (SMC - Storage Array):

- You might receive the error message “No operating system found. Press F1 to repeat boot sequence.” In this case, press Ctrl+Alt+Delete instead of F1 to establish a connection to the storage area network where your operating system is stored. Verify that the user name is not logged on in another location.
- If the SMC login prompt disappears before you log in and then a black screen displays, contact your administrator.

Use the following procedure to help determine the cause of the problem:

1. Power-off the computer and all external devices.
2. Check all cables and power cords.
3. Set all display controls to the middle position.
4. Power-on all external devices.
5. Power-on the computer.
  - Look for displayed error codes
  - Listen for beep codes
  - Look for readable instructions or a main menu on the display.If you **did not** receive the correct response, proceed to step 6 on page 35.  
If you **do** receive the correct response, proceed to step 7 on page 35.
6. Look at the following conditions and follow the instructions:
  - If you hear beep codes during POST, go to “Beep symptoms” on page 65.
  - If the computer displays a POST error, go to “POST error codes” on page 66.
  - If the computer hangs and no error is displayed, turn off the computer and the power. Then, turn the power and the computer back on, continue at step 7 on page 35.
7. Run the Diagnostic programs. See Chapter 5 “Diagnostic programs” on page 37.
  - If you receive an error, replace the part that the diagnostic program calls out or go to “Diagnostic error codes” on page 48.
  - If the test stops and you cannot continue, replace the last device tested.

---

## Problem determination tips

Due to the variety of hardware and software combinations that can be encountered, use the following information to assist you in problem determination. If possible, have this information available when requesting assistance from Service Support and Engineering functions.

- Machine type and model
- Processor or hard disk upgrades
- Failure symptom
  - Do diagnostics indicate a failure?
  - What, when, where, single, or multiple systems?
  - Is the failure repeatable?
  - Has this configuration ever worked?
  - If it has been working, what changes were made prior to it failing?
  - Is this the original reported failure?
- Diagnostics version
  - Type and version level
- Hardware configuration
  - Print (print screen) configuration currently in use
  - BIOS level
- Operating system software
  - Type and version level

**Notes:** To eliminate confusion, identical systems are considered identical only if they:

1. Are the exact machine type and models
2. Have the same BIOS level
3. Have the same adapters/attachments in the same locations
4. Have the same address jumpers/terminators/cabling
5. Have the same software versions and levels
6. Have the same Diagnostic Diskettes (version)
7. Have the same configuration options set in the system
8. Have the same setup for the operating system control files

Comparing the configuration and software set-up between “working and non-working” systems will often lead to problem resolution.

---

## Chapter 5. Diagnostic programs

Diagnostic programs are used to test hardware components of your computer. Diagnostic programs can also report operating-system-controlled settings that interfere with the correct operation of your system. You can use the preinstalled diagnostic program to diagnose computer problems, if your computer is running in the Windows® operating system.

### Notes:

1. Depending on the date when your computer was manufactured, your computer is preinstalled with either the Lenovo Solution Center program or the Lenovo ThinkVantage Toolbox program for diagnostic purposes. For more information about the Lenovo ThinkVantage Toolbox program, see “Lenovo ThinkVantage Toolbox” on page 37. For more information about the Lenovo Solution Center program, see “Lenovo Solution Center” on page 37.
2. You can also download the PC-Doctor for DOS diagnostic program from <http://www.lenovo.com/support>. See “PC-Doctor for DOS” on page 38 for detailed information.
3. If you are unable to isolate and repair the problem yourself after running the programs, save and print the log files created by the programs. You will need the log files when you speak to a Lenovo technical support representative.

---

### Lenovo ThinkVantage Toolbox

**Note:** The Lenovo ThinkVantage Toolbox program is only available on computers preinstalled with the Windows 7 operating system from Lenovo.

The Lenovo ThinkVantage Toolbox program helps you maintain your computer, improve computing security, diagnose computer problems, get familiar with the innovative technologies provided by Lenovo, and get more information about your computer. You can use the diagnostics feature of the Lenovo ThinkVantage Toolbox program to test devices, diagnose computer problems, create bootable diagnostic media, update system drivers, and view system information.

To run the Lenovo ThinkVantage Toolbox program, click **Start** → **All Programs** → **Lenovo ThinkVantage Tools** → **System Health and Diagnostics**. Follow the instructions on the screen.

For additional information about running the Lenovo ThinkVantage Toolbox program, refer to the Lenovo ThinkVantage Toolbox help system.

---

### Lenovo Solution Center

The Lenovo Solution Center program enables you to troubleshoot and resolve computer problems. It combines diagnostic tests, system information collection, security status, and support information, along with hints and tips for maximum system performance.

### Notes:

- The Lenovo Solution Center program is available only on models preinstalled with the Windows 7 operating system. If your Windows 7 model is not preinstalled with the program, you can download it from <http://www.lenovo.com/diagnose>.
- If you are using the Windows Vista or Windows XP operating system, go to <http://www.lenovo.com/diagnose> for the latest information on diagnostics for your computer.

To run the Lenovo Solution Center program on the Windows 7 operating system, click **Start → All Programs → Lenovo ThinkVantage Tools → System Health and Diagnostics**. Follow the instructions on the screen.

For additional information, refer to the Lenovo Solution Center help system.

**Note:** If you are unable to isolate and repair the problem yourself after running the program, save and print the log files created by the program. You will need the log files when you speak to a Lenovo technical support representative.

---

## Lenovo System Toolbox

**Note:** The Lenovo System Toolbox program is only available on computers preinstalled with the Windows Vista operating system or the Windows XP operating system from Lenovo.

The Lenovo System Toolbox program works through the Windows operating system to enable you to test devices, view symptoms and solutions for computer problems, update system drivers, and view system information.

To run the Lenovo System Toolbox program, click **Start → All Programs → Lenovo Services → Lenovo System Toolbox**. Follow the instructions on the screen.

For additional information about running the Lenovo System Toolbox program, refer to the Lenovo System Toolbox help system.

---

## PC-Doctor for Rescue and Recovery

The PC-Doctor for Rescue and Recovery diagnostic program is part of the Rescue and Recovery workspace on your Lenovo computer. Use the PC-Doctor for Rescue and Recovery program if you are unable to start the Windows operating system.

To run the PC-Doctor for Rescue and Recovery program from the Rescue and Recovery workspace, do the following:

1. Turn off the computer.
2. Repeatedly press and release the F11 key when turning on the computer. When you hear beeps or see a logo screen, release the F11 key. The Rescue and Recovery workspace opens after a short delay.
3. From the Rescue and Recovery workspace, select **Launch advanced Rescue and Recovery → Diagnose hardware**. The PC-Doctor for Rescue and Recovery program opens.
4. Select the desired diagnostic test. Then, follow the instructions on the screen.

For additional information about running the PC-Doctor for Rescue and Recovery program, refer to the PC-Doctor for Rescue and Recovery help system.

**Note:** If you encounter failures that prevent you from gaining access to the Rescue and Recovery workspace, you can run the PC-Doctor for Rescue and Recovery program after using a rescue medium to recover the computer from failures and gaining access to the Rescue and Recovery workspace. Refer to the “Creating and using rescue media” section in your *ThinkCentre User Guide* for more information.

---

## PC-Doctor for DOS

You can also download the latest version of the PC-Doctor for DOS diagnostic program from <http://www.lenovo.com/support>. The PC-Doctor for DOS diagnostic program runs independently of the Windows operating system. Use the PC-Doctor for DOS diagnostic program if you are unable to start the Windows operating system. You can run the PC-Doctor for DOS diagnostic program from a diagnostic disc that you created.

## Creating a diagnostic disc

This section provides instructions on how to create a diagnostic disc.

To create a diagnostic disc, do the following:

1. Download a self-starting bootable disc image (known as an ISO image) of the diagnostic program from: <http://www.lenovo.com/support>
2. Use any CD/DVD burning software to create a diagnostic disc with the ISO image.

## Running the diagnostic program from the diagnostic disc

This section provides instructions on how to run the diagnostic program from the diagnostic disc that you created.

To run the diagnostic program from the diagnostic disc that you created, do the following:

1. Make sure that your computer is turned off.
2. Repeatedly press and release the F12 key when turning on the computer. When the **Startup Device Menu** opens, release the F12 key.
3. Insert the diagnostic disc into the optical drive.
4. Select the optical drive with the diagnostic disc as the startup device and press Enter. The diagnostic program opens.
5. Follow the instructions on the screen to run the desired diagnostic test. For additional help, press the F1 key.
6. Remove the diagnostic disc from the optical drive after completing the diagnostic test.

## Navigating through the diagnostic programs

Use the cursor movement keys to navigate within the menus.

- The **Enter** key is used to select a menu item.
- The **Esc** key is used to back up to the previous menu.
- For online help select **F1**.

## Running tests

There are four ways to run the diagnostic tests.

- Using the cursor movement keys, highlight **Run Normal Test** or **Run Quick Test** from the Diagnostics menu and then press **Enter**. This automatically runs a pre-defined group of tests from each test category. **Run Normal Test** runs a more extensive set of tests than does **Run Quick Test** and takes longer to complete.
- Press **F5** to automatically run all selected tests in all categories.
- From within a test category, press **Ctrl-Enter** to automatically run only the selected tests in that category.
- Using the cursor movement keys, highlight a single test within a test category, and then press **Enter**. This runs only that test.

Press **Esc** at any time to stop the testing process.

Test results (N/A, PASSED, FAILED, ABORTED) are displayed in the field beside the test description and in the test log. See “Viewing the test log” on page 41.

To select one or more tests, use the following procedure.

1. Open the corresponding test category.
2. Using the cursor movement keys, highlight the desired test.
3. Press the space bar. A selected test is marked by >>. Pressing the space bar again de-selects a test and removes the >>.
4. Repeat steps 2 and 3 above to select all desired tests.

## Test results

Diagnostics test results produce the following error code format:

Function Code	Failure Type	DeviceID	Date	ChkDigits	Text
---------------	--------------	----------	------	-----------	------

- **Function Code:**  
Represents the feature or function within the PC.
- **Failure Type:**  
Represents the type of error encountered.
- **DeviceID:**  
Contains the component's unit-ID which corresponds to either a fixed disk drive, removable media drive, processor, specific RIMM, or a device on the PCI bus.
- **Date:**  
Contains the date when the diagnostic test was run. The date is retrieved from CMOS and displayed using the YYYYMMDD format.
- **ChkDigits:**  
Contains a 2-digit check-digit value to ensure the following:
  - Diagnostics were run on the specified date.
  - Diagnostics were run on the specified computer.
  - The diagnostic error code is recorded correctly.
- **Text:**  
Description of the error.

**Note:** See “Diagnostic error codes” on page 48 for error code listings.

## Quick and Full erase - hard drive

The diagnostics program offers two hard drive format utilities:

- Quick Erase Hard Drive
- Full Erase Hard Drive

The Quick Erase Hard Drive provides a DOS utility that performs the following:

- Destroys the Master Boot Record (MBR) on the hard drive.
- Destroys all copies of the FAT Table on all partitions (both the master and backup).
- Destroys the partition table.
- Provides messages that warn the user that this is a non-recoverable process.

The Full Erase Hard Drive provides a DOS utility that performs the following:

- Performs all the steps in Quick Erase.
- Provides a DOS utility that writes random data to all sectors of the hard drive.
- Provides an estimate of time to completion along with a visual representation of completion status.
- Provides messages that warn the user about non-recoverable process.



**Important:** Make sure that all data is backed up before using the Quick or Full Erase functions.

To select the Quick Erase or Full Erase Hard Drive utility, use the following procedure:

1. Select the UTILITY option on the toolbar and press **Enter**.
2. Select either the QUICK ERASE or FULL ERASE HARD DISK option and follow the instructions.

## Viewing the test log

Errors reported by the diagnostic test will be displayed by the program as a failed test.

To view details of a failure or to view a list of test results, use the following procedure from any test category screen:

1. Press **F3** to activate the log file.
2. Press **F3** again to save the file to diskette or press **F2** to print the file.



---

## Chapter 6. Using the Setup Utility

The Setup Utility program is used to view and change the configuration settings of your computer, regardless of which operating system you are using. However, the operating-system settings might override any similar settings in the Setup Utility program.

---

### Starting the Setup Utility program

To start the Setup Utility program, do the following:

1. If your computer is already on when you start this procedure, shut down the operating system and turn off the computer.
2. Repeatedly press and release the F1 key when turning on the computer. When you hear multiple beeps, release the F1 key. The Setup Utility program opens.

**Note:** If a Power-On Password or an Administrator Password has been set, the Setup Utility program menu is not displayed until you type the correct password. For more information, see “Using passwords” on page 43.

The Setup Utility program might start automatically when POST detects that hardware has been removed or new hardware has been installed in your computer.

---

### Viewing and changing settings

The Setup Utility program menu lists items that identify system configuration topics. To view or change settings, see “Starting the Setup Utility program” on page 43.

When working with the Setup Utility program menu, you must use the keyboard. The keys used to perform various tasks are displayed at the bottom of each screen.

---

### Using passwords

By using the Setup Utility program, you can set passwords to prevent unauthorized persons from gaining access to your computer and data. See “Starting the Setup Utility program” on page 43. The following types of passwords are available:

- Power-On Password
- Administrator Password
- Hard Disk User Password

You do not have to set any passwords to use your computer. However, if you decide to set any passwords, read the following sections.

### Password considerations

A password can be any combination of up to 64 (1 to 64) alphabetic and numeric characters. For security reasons, it is recommended to use a strong password that cannot be easily compromised. A strong password should adhere to the following rules:

- Have at least eight characters in length and contain at least one alphabetic character and one numeric character
- Setup Utility program and hard disk drive passwords are not case sensitive

- Not be your name or your user name
- Not be a common word or a common name
- Be significantly different from your previous password

## Power-On Password

When a Power-On Password is set, the computer cannot be used until a valid password is typed from the keyboard.

## Administrator Password

When an Administrator Password is set, it deters unauthorized persons from changing configuration settings. If you are responsible for maintaining the settings of several computers, you might want to set an Administrator Password.

After you set an Administrator Password, a password prompt is displayed each time you try to access the Setup Utility program.

If both the Power-On Password and the Administrator Password are set, you can type either password. However, to change any configuration settings, you must use your Administrator Password.

## Hard Disk User Password

When a Hard Disk User Password is set, it prevents unauthorized users from accessing the data on the hard disk drive.

For computer models that do not have an internal hard disk drive and use a remote hard disk drive accessed through the SMC - Storage Array, contact your network or storage administrator.

## Setting, changing, and deleting a password

To set, change, or delete a password, do the following:

**Note:** A password can be any combination of up to 64 (1 to 64) alphabetic and numeric characters. For more information, see “Password considerations” on page 43.

1. Start the Setup Utility program. See Chapter 6 “Using the Setup Utility” on page 43.
2. From the Setup Utility program, select **Security** → **Set Passwords**.
3. Read the information displayed on the right side of the screen.

---

## Enabling or disabling a device

This section provides information on how to enable or disable user access to the following devices:

<b>Serial ATA</b>	When this feature is set to <b>Disabled</b> , all devices connected to the SATA connectors (such as hard disk drives or the optical drive) are disabled and will not be displayed in the system configuration.
<b>External SATA Port</b>	When this feature is set to <b>Disabled</b> , the device connected to the External SATA connector cannot be accessed.
<b>Legacy Diskette A</b> (some models)	When this feature is set to <b>Disabled</b> , the diskette drive cannot be accessed.

To enable or disable a device, do the following:

1. Start the Setup Utility program. See “Starting the Setup Utility program” on page 43.

2. From the Setup Utility program, select **Devices** or select **Devices** → **ATA Drive Setup**.
3. Select the desired devices and settings and press Enter.
4. Return to the Setup Utility program menu and select **Exit** and then **Save Settings** or **Save and exit the Setup Utility**.

**Note:** If you do not want to save the settings, select **Exit the Setup Utility without saving**.

---

## Selecting a startup device

If your computer does not start up from a device such as the disc, diskette, or hard disk drive as expected, use one of the following procedures to select a startup device.

### Selecting a temporary startup device

Use this procedure to startup from any start device.

**Note:** Not all discs, hard disk drives, and diskettes are bootable.

1. Turn off your computer.
2. Repeatedly press and release the F12 key when turning on the computer. When the **Startup Device** menu opens, release the F12 key.
3. Select the desired startup device from the **Startup Device** menu and press Enter to begin.

**Note:** Selecting a startup device from the **Startup Device** menu does not permanently change the startup sequence.

### Selecting or changing the startup device sequence

To view or permanently change the configured startup device sequence, do the following:

1. Start the Setup Utility program. See “Starting the Setup Utility program” on page 43.
2. Select **Startup** → **Startup Sequence**. See the information displayed on the right side of the screen.
3. Select the devices for the Primary Startup Sequence, the Automatic Startup Sequence, and the Error Startup Sequence.
4. Select **Exit** from the Setup Utility menu and then **Save Settings** or **Save and exit the Setup Utility**.

If you have changed these settings and want to return to the default settings, select **Load Default Settings** on the **Exit** menu.

---

## Exiting from the Setup Utility program

After you finish viewing or changing settings, press Esc to return to the Setup Utility program menu (you might have to press Esc several times). If you want to save the new settings, select **Save Settings** or **Save and exit the Setup Utility**. Otherwise, your changes will not be saved.



---

## Chapter 7. Symptom-to-FRU index

The Symptom-to-FRU index lists error symptoms and possible causes. The most likely cause is listed first. Always begin with the Chapter 4 “General checkout” on page 35. You can use this index to help you decide which FRUs are needed when servicing a computer. If you are unable to correct the problem using this index, go to “Undetermined problems” on page 69.

### Notes:

1. If you have both an error message and an incorrect audio response, diagnose the error message first.
2. If you cannot run the diagnostic tests or you get a diagnostic error code when running a test, but did receive a POST error message, diagnose the POST error message first.
3. If you did not receive any error message, look for a description of your error symptoms in the first part of this index.
4. For computer models that do not have an internal hard disk drive and use a remote hard disk drive accessed through the SMC - Storage Array:
  - You might receive the error message “No operating system found. Press F1 to repeat boot sequence.” In this case, press Ctrl+Alt+Delete instead of F1 to establish a connection to the storage area network where your operating system is stored. Verify that the user name is not logged on in another location.
  - If the SMC login prompt disappears before you log in and then a black screen displays, contact the administrator.

---

### Hard disk drive boot error

A hard disk drive boot error (error codes 1962 and I999030X) can have the following causes.

**Note:** For computer models that do not have an internal hard disk drive and use a remote hard disk drive accessed through the SMC - Storage Array, contact the network or storage administrator.

Error	FRU/Action
The start-up drive is not in the boot sequence in configuration.	Check the configuration and ensure the start-up drive is in the boot sequence.
No operating system installed on the boot drive.	Install an operating system on the boot drive.
The boot sector on the start-up drive is corrupted.	The drive must be formatted, do the following: <ol style="list-style-type: none"><li>1. Attempt to back-up the data on the failing hard disk drive.</li><li>2. Using the operating systems programs, format the hard disk drive.</li></ol>
The drive is defective.	Replace the hard disk drive.

---

### Power Supply Problems

If you suspect a power problem, use the following procedures.

Check/Verify	FRU/Action
Check the following for proper installation. <ul style="list-style-type: none"> <li>• Power Cord</li> <li>• On/Off Switch connector</li> <li>• On/Off Switch Power Supply connector</li> <li>• System Board Power Supply connectors</li> <li>• Microprocessor(s) connection</li> </ul>	Reseat connectors
Check the power cord for continuity.	Power Cord
Check the power-on switch for continuity.	Power-on Switch

## Diagnostic error codes

Refer to the following diagnostic error codes when using the diagnostic tests. See “Running tests” on page 39 for the specific type for information about the Diagnostic programs.

In the following index, X can represent any number.

Diagnostic Error Code	FRU/Action
<b>000-000-XXX</b> BIOS Test Passed	<b>No action</b>
<b>000-002-XXX</b> BIOS Timeout	<ol style="list-style-type: none"> <li>1. <b>Flash the system. See “Updating (flashing) BIOS from a disc” on page 560</b></li> <li>2. System board</li> </ol>
<b>000-024-XXX</b> BIOS Addressing test failure	<ol style="list-style-type: none"> <li>1. <b>Flash the system. See “Updating (flashing) BIOS from a disc” on page 560</b></li> <li>2. System board</li> </ol>
<b>000-025-XXX</b> BIOS Checksum Value error	<ol style="list-style-type: none"> <li>1. <b>Flash the system. See “Updating (flashing) BIOS from a disc” on page 560</b></li> <li>2. System board</li> </ol>
<b>000-026-XXX</b> FLASH data error	<ol style="list-style-type: none"> <li>1. <b>Flash the system. See “Updating (flashing) BIOS from a disc” on page 560</b></li> <li>2. System board</li> </ol>
<b>000-027-XXX</b> BIOS Configuration/Setup error	<ol style="list-style-type: none"> <li>1. <b>Run Setup</b></li> <li>2. Flash the system. See “Updating (flashing) BIOS from a disc” on page 560</li> <li>3. System board</li> </ol>
<b>000-034-XXX</b> BIOS Buffer Allocation failure	<ol style="list-style-type: none"> <li>1. <b>Reboot the system</b></li> <li>2. Flash the system. See “Updating (flashing) BIOS from a disc” on page 560</li> <li>3. Run memory test</li> <li>4. System board</li> </ol>
<b>000-035-XXX</b> BIOS Reset Condition detected	<ol style="list-style-type: none"> <li>1. <b>Flash the system. See “Updating (flashing) BIOS from a disc” on page 560</b></li> <li>2. System board</li> </ol>
<b>000-036-XXX</b> BIOS Register error	<ol style="list-style-type: none"> <li>1. <b>Flash the system. See “Updating (flashing) BIOS from a disc” on page 560</b></li> <li>2. System board</li> </ol>



<b>Diagnostic Error Code</b>	<b>FRU/Action</b>
<b>000-038-XXX</b> BIOS Extension failure	<ol style="list-style-type: none"> <li>1. <b>Flash the system. See “Updating (flashing) BIOS from a disc” on page 560</b></li> <li>2. Adapter card</li> <li>3. System board</li> </ol>
<b>000-039-XXX</b> BIOS DMI data error	<ol style="list-style-type: none"> <li>1. <b>Flash the system. See “Updating (flashing) BIOS from a disc” on page 560</b></li> <li>2. System board</li> </ol>
<b>000-195-XXX</b> BIOS Test aborted by user	<b>Information only</b> Re-start the test, if necessary
<b>000-196-XXX</b> BIOS test halt, error threshold exceeded	<ol style="list-style-type: none"> <li>1. <b>Press F3 to review the log file</b></li> <li>2. Re-start the test to reset the log file</li> </ol>
<b>000-197-XXX</b> BIOS test warning	<ol style="list-style-type: none"> <li>1. <b>Make sure the component that is called out is connected and/or enabled. See Chapter 6 “Using the Setup Utility” on page 43</b></li> <li>2. Re-run test</li> <li>3. Replace the component that is called out in warning statement</li> <li>4. Replace the component under test</li> </ol>
<b>000-198-XXX</b> BIOS test aborted	<ol style="list-style-type: none"> <li>1. <b>Make sure the component that is called out is connected and/or enabled. See Chapter 6 “Using the Setup Utility” on page 43</b></li> <li>2. Flash the system and retest. See “Updating (flashing) BIOS from a disc” on page 560</li> <li>3. Go to “Undetermined problems” on page 69</li> </ol>
<b>000-199-XXX</b> BIOS test failed, cause unknown	<ol style="list-style-type: none"> <li>1. Go to “Undetermined problems” on page 69</li> <li>2. Flash the system and re-test</li> <li>3. Replace component under function test</li> </ol>
<b>000-250-XXX</b> BIOS APM failure	<ol style="list-style-type: none"> <li>1. <b>Flash the system. See “Updating (flashing) BIOS from a disc” on page 560</b></li> <li>2. System board</li> </ol>
<b>000-270-XXX</b> BIOS ACPI failure	<ol style="list-style-type: none"> <li>1. <b>Flash the system. See “Updating (flashing) BIOS from a disc” on page 560</b></li> <li>2. System board</li> </ol>
<b>001-000-XXX</b> System Test Passed	<b>No action</b>
<b>001-00X-XXX</b> System Error	<b>System board</b>
<b>001-01X-XXX</b> System Error	<b>System board</b>
<b>001-024-XXX</b> System Addressing test failure	<b>System board</b>
<b>001-025-XXX</b> System Checksum Value error	<ol style="list-style-type: none"> <li>1. <b>Flash the system. See “Updating (flashing) BIOS from a disc” on page 560</b></li> <li>2. System board</li> </ol>
<b>001-026-XXX</b> System FLASH data error	<ol style="list-style-type: none"> <li>1. <b>Flash the system. See “Updating (flashing) BIOS from a disc” on page 560</b></li> <li>2. System board</li> </ol>

<b>Diagnostic Error Code</b>	<b>FRU/Action</b>
<b>001-027-XXX</b> System Configuration/Setup error	<ol style="list-style-type: none"> <li>1. <b>Run Setup</b></li> <li>2. Flash the system. See “Updating (flashing) BIOS from a disc” on page 560</li> <li>3. System board</li> </ol>
<b>001-032-XXX</b> System Device Controller failure	<b>System board</b>
<b>001-034-XXX</b> System Device Buffer Allocation failure	<ol style="list-style-type: none"> <li>1. <b>Reboot the system</b></li> <li>2. Flash the system. See “Updating (flashing) BIOS from a disc” on page 560</li> <li>3. Run memory test</li> <li>4. System board</li> </ol>
<b>001-035-XXX</b> System Device Reset condition detected	<b>System board</b>
<b>001-036-XXX</b> System Register error	<b>System board</b>
<b>001-038-XXX</b> System Extension failure	<ol style="list-style-type: none"> <li>1. <b>Adapter card</b></li> <li>2. System board</li> </ol>
<b>001-039-XXX</b> System DMI data structure error	<ol style="list-style-type: none"> <li>1. <b>Flash the system. See “Updating (flashing) BIOS from a disc” on page 560</b></li> <li>2. System board</li> </ol>
<b>001-040-XXX</b> System IRQ failure	<ol style="list-style-type: none"> <li>1. <b>Power-off/on system and re-test</b></li> <li>2. System board</li> </ol>
<b>001-041-XXX</b> System DMA failure	<ol style="list-style-type: none"> <li>1. <b>Power-off/on system and re-test</b></li> <li>2. System board</li> </ol>
<b>001-195-XXX</b> System Test aborted by user	<b>Information only</b> Re-start the test, if necessary
<b>001-196-XXX</b> System test halt, error threshold exceeded	<ol style="list-style-type: none"> <li>1. <b>Press F3 to review the log file</b></li> <li>2. Re-start the test to reset the log file</li> </ol>
<b>001-197-XXX</b> System test warning	<ol style="list-style-type: none"> <li>1. <b>Make sure the component that is called out is connected and/or enabled. See Chapter 6 “Using the Setup Utility” on page 43</b></li> <li>2. Re-run test</li> <li>3. Replace the component that is called out in warning statement</li> <li>4. Replace the component under test</li> </ol>
<b>001-198-XXX</b> System test aborted	<ol style="list-style-type: none"> <li>1. <b>If a component is called out, make sure it is connected and/or enabled. See Chapter 6 “Using the Setup Utility” on page 43</b></li> <li>2. Flash the system and retest. See “Updating (flashing) BIOS from a disc” on page 560</li> <li>3. Go to “Undetermined problems” on page 69</li> </ol>
<b>001-199-XXX</b> System test failed, cause unknown	<ol style="list-style-type: none"> <li>1. Go to “Undetermined problems” on page 69</li> <li>2. Flash the system and re-test</li> <li>3. Replace component under function test</li> </ol>
<b>001-250-XXX</b> System ECC error	<b>System board</b>
<b>001-254-XXX 001-255-XXX 001-256-XXX 001-257-XXX</b> System DMA error	<b>System board</b>
<b>001-260-XXX 001-264-XXX</b> System IRQ error	<b>System board</b>

<b>Diagnostic Error Code</b>	<b>FRU/Action</b>
001-268-XXX System IRQ1 failure	1. <b>Device on IRQ1</b> 2. System board
001-269-XXX System IRQ2 failure	1. <b>Device on IRQ2</b> 2. System board
001-270-XXX System IRQ3 failure	1. <b>Device on IRQ3</b> 2. System board
001-271-XXX System IRQ4 failure	1. <b>Device on IRQ4</b> 2. System board
001-272-XXX System IRQ5 failure	1. <b>Device on IRQ5</b> 2. System board
001-273-XXX System IRQ6 (diskette drive) failure	1. <b>Diskette Cable</b> 2. Diskette drive 3. System board
001-274-XXX System IRQ7 failure	1. <b>Device on IRQ7</b> 2. System board
001-275-XXX System IRQ8 failure	1. <b>Device on IRQ8</b> 2. System board
001-276-XXX System IRQ9 failure	1. <b>Device on IRQ9</b> 2. System board
001-277-XXX System IRQ10 failure	1. <b>Device on IRQ10</b> 2. System board
001-278-XXX System IRQ11 failure	1. <b>Device on IRQ11</b> 2. System board
001-279-XXX System IRQ12 failure	1. <b>Device on IRQ12</b> 2. System board
001-280-XXX System IRQ13 failure	1. <b>Device on IRQ13</b> 2. System board
001-281-XXX System IRQ14 (hard disk drive) failure	1. <b>Hard disk drive cable</b> 2. Hard disk drive 3. System board
001-282-XXX System IRQ15 failure	1. <b>Device on IRQ15</b> 2. System board
001-286-XXX 001-287-XXX 001-288-XXX System Timer failure	<b>System board</b>
001-292-XXX System CMOS RAM error	1. <b>Run Setup and re-test</b> 2. System board
001-293-XXX System CMOS Battery	1. <b>CMOS Battery</b> 2. System board
001-298-XXX System RTC date/time update failure	1. <b>Flash the system. See “Updating (flashing) BIOS from a disc” on page 560</b> 2. System board

<b>Diagnostic Error Code</b>	<b>FRU/Action</b>
<b>001-299-XXX</b> System RTC periodic interrupt failure	<b>System board</b>
<b>001-300-XXX</b> System RTC Alarm failure	<b>System board</b>
<b>001-301-XXX</b> System RTC Century byte error	<ol style="list-style-type: none"> <li>1. <b>Flash the system. See “Updating (flashing) BIOS from a disc” on page 560</b></li> <li>2. System board</li> </ol>
<b>005-000-XXX</b> Video Test Passed	<b>No action</b>
<b>005-00X-XXX</b> Video error	<ol style="list-style-type: none"> <li>1. <b>Video card, if installed</b></li> <li>2. System board</li> </ol>
<b>005-010-XXX 005-011-XXX 005-012-XXX 005-013-XXX</b> Video Signal failure	<ol style="list-style-type: none"> <li>1. <b>Video card, if installed</b></li> <li>2. System board</li> </ol>
<b>005-016-XXX</b> Video Simple Pattern test failure	<ol style="list-style-type: none"> <li>1. <b>Video Ram</b></li> <li>2. Video card, if installed</li> <li>3. System board</li> </ol>
<b>005-024-XXX</b> Video Addressing test failure	<ol style="list-style-type: none"> <li>1. <b>Video card, if installed</b></li> <li>2. System board</li> </ol>
<b>005-025-XXX</b> Video Checksum Value error	<ol style="list-style-type: none"> <li>1. <b>Video card, if installed</b></li> <li>2. System board</li> </ol>
<b>005-027-XXX</b> Video Configuration/Setup error	<ol style="list-style-type: none"> <li>1. <b>Run Setup</b></li> <li>2. Video drivers update</li> <li>3. Video card, if installed</li> <li>4. System board</li> </ol>
<b>005-031-XXX</b> Video Device Cable failure	<ol style="list-style-type: none"> <li>1. <b>Video cable</b></li> <li>2. Monitor</li> <li>3. Video card, if installed</li> <li>4. System board</li> </ol>
<b>005-032-XXX</b> Video Device Controller failure	<ol style="list-style-type: none"> <li>1. <b>Video card, if installed</b></li> <li>2. System board</li> </ol>
<b>005-036-XXX</b> Video Register error	<ol style="list-style-type: none"> <li>1. <b>Video card, if installed</b></li> <li>2. System board</li> </ol>
<b>005-038-XXX</b> System BIOS extension failure	<ol style="list-style-type: none"> <li>1. <b>Video card, if installed</b></li> <li>2. System board</li> </ol>
<b>005-040-XXX</b> Video IRQ failure	<ol style="list-style-type: none"> <li>1. <b>Video card, if installed</b></li> <li>2. System board</li> </ol>
<b>005-195-XXX</b> Video Test aborted by user	<b>Information only</b> Re-start the test, if necessary
<b>005-196-XXX</b> Video test halt, error threshold exceeded	<ol style="list-style-type: none"> <li>1. <b>Press F3 to review the log file</b></li> <li>2. Re-start the test to reset the log file</li> </ol>

Diagnostic Error Code	FRU/Action
005-197-XXX Video test warning	<ol style="list-style-type: none"> <li>1. <b>Make sure the component that is called out is connected and/or enabled. See Chapter 6 “Using the Setup Utility” on page 43</b></li> <li>2. Re-run test</li> <li>3. Replace the component called out in warning statement</li> <li>4. Replace the component under test</li> </ol>
005-198-XXX Video test aborted	<ol style="list-style-type: none"> <li>1. <b>If a component is called out, make sure it is connected and/or enabled. See Chapter 6 “Using the Setup Utility” on page 43</b></li> <li>2. Flash the system and re-test. See “Updating (flashing) BIOS from a disc” on page 560</li> <li>3. Go to “Undetermined problems” on page 69</li> </ol>
005-199-XXX Video test failed, cause unknown	<ol style="list-style-type: none"> <li>1. Go to “Undetermined problems” on page 69</li> <li>2. Flash the system and re-test. See “Updating (flashing) BIOS from a disc” on page 560</li> <li>3. Replace component under function test</li> </ol>
005-2XX-XXX 005-3XX-XXX Video subsystem error	<ol style="list-style-type: none"> <li>1. <b>Video card, if installed</b></li> <li>2. System board</li> </ol>
006-000-XXX Diskette interface Test Passed	<b>No action</b>
006-0XX-XXX Diskette interface error	<ol style="list-style-type: none"> <li>1. <b>Diskette drive Cable</b></li> <li>2. Diskette drive</li> <li>3. System board</li> </ol>
006-195-XXX Diskette interface Test aborted by user	<b>Information only</b> Re-start the test, if necessary
006-196-XXX Diskette interface test halt, error threshold exceeded	<ol style="list-style-type: none"> <li>1. <b>Press F3 to review the log file</b></li> <li>2. Re-start the test to reset the log file</li> </ol>
006-197-XXX Diskette interface test warning	<ol style="list-style-type: none"> <li>1. <b>If a component is called out, make sure it is connected and/or enabled</b></li> <li>2. Re-run test</li> <li>3. Replace the component that is called out in warning statement</li> <li>4. Replace the component under test</li> </ol>
006-198-XXX Diskette interface test aborted	<ol style="list-style-type: none"> <li>1. <b>If a component is called out, make sure it is connected and/or enabled</b></li> <li>2. Flash the system and re-test. See “Updating (flashing) BIOS from a disc” on page 560</li> <li>3. Go to “Undetermined problems” on page 69</li> </ol>
006-199-XXX Diskette interface test failed, cause unknown	<ol style="list-style-type: none"> <li>1. Go to “Undetermined problems” on page 69</li> <li>2. Flash the system and re-test</li> <li>3. Replace component under function test</li> </ol>
006-25X-XXX Diskette interface Error	<ol style="list-style-type: none"> <li>1. <b>Diskette drive cable</b></li> <li>2. Diskette drive</li> <li>3. System board</li> </ol>
011-000-XXX Serial port Interface Test Passed	<b>No action</b>

<b>Diagnostic Error Code</b>	<b>FRU/Action</b>
<b>011-001-XXX</b> Serial port Presence	<ol style="list-style-type: none"> <li>1. <b>Remove external serial device, if present</b></li> <li>2. Run setup, enable port</li> <li>3. System board</li> </ol>
<b>011-002-XXX 011-003-XXX</b> Serial port Timeout/Parity error	<b>System board</b>
<b>011-013-XXX 011-014-XXX</b> Serial port Control Signal/Loopback test failure	<b>System board</b>
<b>011-015-XXX</b> Serial port External Loopback failure	<ol style="list-style-type: none"> <li>1. <b>Wrap plug</b></li> <li>2. System board</li> </ol>
<b>011-027-XXX</b> Serial port Configuration/Setup error	<ol style="list-style-type: none"> <li>1. <b>Run Setup, enable port</b></li> <li>2. Flash the system. See “Updating (flashing) BIOS from a disc” on page 560</li> <li>3. System board</li> </ol>
<b>011-03X-XXX 011-04X-XXX</b> Serial port failure	<b>System board</b>
<b>011-195-XXX</b> Serial port Test aborted by user	<b>Information only</b> Re-start the test, if necessary
<b>011-196-XXX</b> Serial port test halt, error threshold exceeded	<ol style="list-style-type: none"> <li>1. <b>Press F3 to review the log file</b></li> <li>2. Re-start the test to reset the log file</li> </ol>
<b>011-197-XXX</b> Serial port test warning	<ol style="list-style-type: none"> <li>1. <b>Make sure the component that is called out is connected and/or enabled. See Chapter 6 “Using the Setup Utility” on page 43</b></li> <li>2. Re-run test</li> <li>3. Replace the component that is called out in warning statement</li> <li>4. Replace the component under test</li> </ol>
<b>011-198-XXX</b> Serial port test aborted	<ol style="list-style-type: none"> <li>1. <b>If a component is called out, make sure it is connected and/or enabled. See Chapter 6 “Using the Setup Utility” on page 43</b></li> <li>2. Flash the system and re-test. See “Updating (flashing) BIOS from a disc” on page 560</li> <li>3. Go to “Undetermined problems” on page 69</li> </ol>
<b>011-199-XXX</b> Serial port test failed, cause unknown	<ol style="list-style-type: none"> <li>1. Go to “Undetermined problems” on page 69</li> <li>2. Flash the system and re-test. See “Updating (flashing) BIOS from a disc” on page 560</li> <li>3. Replace component under function test</li> </ol>
<b>011-2XX-XXX</b> Serial port signal failure	<ol style="list-style-type: none"> <li>1. <b>External serial device</b></li> <li>2. System board</li> </ol>
<b>014-000-XXX</b> Parallel port Interface Test Passed	<b>No action</b>
<b>014-001-XXX</b> Parallel port Presence	<ol style="list-style-type: none"> <li>1. <b>Remove external parallel device, if present</b></li> <li>2. Run setup, enable port</li> <li>3. System board</li> </ol>
<b>014-002-XXX 014-003-XXX</b> Parallel port Timeout/Parity error	<b>System board</b>
<b>014-013-XXX 014-014-XXX</b> Parallel port Control Signal/Loopback test failure	<b>System board</b>

<b>Diagnostic Error Code</b>	<b>FRU/Action</b>
<b>014-015-XXX</b> Parallel port External Loopback failure	<ol style="list-style-type: none"> <li>1. <b>Wrap plug</b></li> <li>2. System board</li> </ol>
<b>014-027-XXX</b> Parallel port Configuration/Setup error	<ol style="list-style-type: none"> <li>1. <b>Run Setup, enable port</b></li> <li>2. Flash the system. See “Updating (flashing) BIOS from a disc” on page 560</li> <li>3. System board</li> </ol>
<b>014-03X-XXX 014-04X-XXX</b> Parallel port failure	<b>System board</b>
<b>014-195-XXX</b> Parallel port Test aborted by user	<b>Information only</b> Re-start the test, if necessary
<b>014-196-XXX</b> Parallel port test halt, error threshold exceeded	<ol style="list-style-type: none"> <li>1. <b>Press F3 to review the log file</b></li> <li>2. Re-start the test to reset the log file</li> </ol>
<b>014-197-XXX</b> Parallel port test warning	<ol style="list-style-type: none"> <li>1. <b>Make sure the component that is called out is connected and/or enabled. See Chapter 6 “Using the Setup Utility” on page 43</b></li> <li>2. Re-run test</li> <li>3. Replace the component that is called out in warning statement</li> <li>4. Replace the component under test</li> </ol>
<b>014-198-XXX</b> Parallel port test aborted	<ol style="list-style-type: none"> <li>1. <b>If a component is called out, make sure it is connected and/or enabled</b></li> <li>2. Flash the system and re-test. See “Updating (flashing) BIOS from a disc” on page 560</li> <li>3. Go to “Undetermined problems” on page 69</li> </ol>
<b>014-199-XXX</b> Parallel port test failed, cause unknown	<ol style="list-style-type: none"> <li>1. Go to “Undetermined problems” on page 69</li> <li>2. Flash the system and re-test. See “Updating (flashing) BIOS from a disc” on page 560</li> <li>3. Replace component under function test</li> </ol>
<b>014-2XX-XXX 014-3XX-XXX</b> Parallel port failure	<ol style="list-style-type: none"> <li>1. <b>External parallel device</b></li> <li>2. System board</li> </ol>
<b>015-000-XXX</b> USB port Interface Test Passed	<b>No action</b>
<b>015-001-XXX</b> USB port Presence	<ol style="list-style-type: none"> <li>1. <b>Remove USB device(s) and re-test</b></li> <li>2. System board</li> </ol>
<b>015-002-XXX</b> USB port Timeout	<ol style="list-style-type: none"> <li>1. <b>Remove USB device(s) and re-test</b></li> <li>2. System board</li> </ol>
<b>015-015-XXX</b> USB port External Loopback failure	<ol style="list-style-type: none"> <li>1. <b>Remove USB device(s) and re-test</b></li> <li>2. System board</li> </ol>
<b>015-027-XXX</b> USB port Configuration/Setup error	<ol style="list-style-type: none"> <li>1. <b>Flash the system. See “Updating (flashing) BIOS from a disc” on page 560</b></li> <li>2. System board</li> </ol>
<b>015-032-XXX</b> USB port Device Controller failure	<b>System board</b>
<b>015-034-XXX</b> USB port buffer allocation failure	<ol style="list-style-type: none"> <li>1. <b>Reboot the system</b></li> <li>2. Flash the system and re-test. See “Updating (flashing) BIOS from a disc” on page 560</li> <li>3. Run memory test</li> <li>4. System board</li> </ol>

<b>Diagnostic Error Code</b>	<b>FRU/Action</b>
<b>015-035-XXX</b> USB port Reset condition detected	<ol style="list-style-type: none"> <li>1. <b>Remove USB device(s) and re-test</b></li> <li>2. System board</li> </ol>
<b>015-036-XXX</b> USB port Register error	<b>System board</b>
<b>015-040-XXX</b> USB port IRQ failure	<ol style="list-style-type: none"> <li>1. <b>Run setup and check for conflicts</b></li> <li>2. Flash the system. See “Updating (flashing) BIOS from a disc” on page 560</li> <li>3. System board</li> </ol>
<b>015-195-XXX</b> USB port Test aborted by user	<b>Information only</b> Re-start the test, if necessary
<b>015-196-XXX</b> USB port test halt, error threshold exceeded	<ol style="list-style-type: none"> <li>1. <b>Press F3 to review the log file</b></li> <li>2. Re-start the test to reset the log file</li> </ol>
<b>015-197-XXX</b> USB port test warning	<ol style="list-style-type: none"> <li>1. <b>Make sure the component that is called out is connected and/or enabled. See Chapter 6 “Using the Setup Utility” on page 43</b></li> <li>2. Re-run test</li> <li>3. Replace the component that is called out in warning statement</li> <li>4. Replace the component under test</li> </ol>
<b>015-198-XXX</b> USB port test aborted	<ol style="list-style-type: none"> <li>1. <b>If a component is called out, make sure it is connected and/or enabled. See Chapter 6 “Using the Setup Utility” on page 43</b></li> <li>2. Flash the system and re-test. See “Updating (flashing) BIOS from a disc” on page 560</li> <li>3. Go to “Undetermined problems” on page 69</li> </ol>
<b>015-199-XXX</b> USB port test failed, cause unknown	<ol style="list-style-type: none"> <li>1. Go to “Undetermined problems” on page 69</li> <li>2. Flash the system and re-test. See “Updating (flashing) BIOS from a disc” on page 560</li> <li>3. Replace component under function test</li> </ol>
<b>018-000-XXX</b> PCI Card Test Passed	<b>No action</b>
<b>018-0XX-XXX</b> PCI Card Failure	<ol style="list-style-type: none"> <li>1. <b>Riser card, if installed</b></li> <li>2. System board</li> </ol>
<b>018-195-XXX</b> PCI Card Test aborted by user	<ol style="list-style-type: none"> <li>1. <b>PCI card</b></li> <li>2. <b>Information only</b> Re-start the test, if necessary</li> </ol>
<b>018-196-XXX</b> PCI Card test halt, error threshold exceeded	<ol style="list-style-type: none"> <li>1. <b>Press F3 to review the log file</b></li> <li>2. Re-start the test to reset the log file</li> </ol>
<b>018-197-XXX</b> PCI Card test warning	<ol style="list-style-type: none"> <li>1. <b>Make sure the component that is called out is connected and/or enabled. See Chapter 6 “Using the Setup Utility” on page 43</b></li> <li>2. Re-run test</li> <li>3. Replace the component that is called out in warning statement</li> <li>4. Replace the component under test</li> </ol>



Diagnostic Error Code	FRU/Action
018-198-XXX PCI Card test aborted	<ol style="list-style-type: none"> <li>1. <b>If a component is called out, make sure it is connected and/or enabled. See Chapter 6 “Using the Setup Utility” on page 43</b></li> <li>2. Flash the system and re-test. See “Updating (flashing) BIOS from a disc” on page 560</li> <li>3. Go to “Undetermined problems” on page 69</li> </ol>
018-199-XXX PCI Card test failed, cause unknown	<ol style="list-style-type: none"> <li>1. Go to “Undetermined problems” on page 69</li> <li>2. Flash the system and re-test. See “Updating (flashing) BIOS from a disc” on page 560</li> <li>3. Replace component under function test</li> </ol>
018-250-XXX PCI Card Services error	<ol style="list-style-type: none"> <li>1. <b>PCI card</b></li> <li>2. Riser card, if installed</li> <li>3. System board</li> </ol>
020-000-XXX PCI Interface Test Passed	<b>No action</b>
020-0XX-XXX PCI Interface error	<ol style="list-style-type: none"> <li>1. <b>PCI card</b></li> <li>2. Riser card, if installed</li> <li>3. System board</li> </ol>
020-195-XXX PCI Test aborted by user	<b>Information only</b> Re-start the test, if necessary
020-196-XXX PCI test halt, error threshold exceeded	<ol style="list-style-type: none"> <li>1. <b>Press F3 to review the log file</b></li> <li>2. Re-start the test to reset the log file</li> </ol>
020-197-XXX PCI test warning	<ol style="list-style-type: none"> <li>1. <b>Make sure the component that is called out is connected and/or enabled. See Chapter 6 “Using the Setup Utility” on page 43</b></li> <li>2. Re-run test</li> <li>3. Replace the component that is called out in warning statement</li> <li>4. Replace the component under test</li> </ol>
020-198-XXX PCI test aborted	<ol style="list-style-type: none"> <li>1. <b>If a component is called out, make sure it is connected and/or enabled. See Chapter 6 “Using the Setup Utility” on page 43</b></li> <li>2. Flash the system and re-test. See “Updating (flashing) BIOS from a disc” on page 560</li> <li>3. Go to “Undetermined problems” on page 69</li> </ol>
020-199-XXX PCI test failed, cause unknown	<ol style="list-style-type: none"> <li>1. Go to “Undetermined problems” on page 69</li> <li>2. Flash the system and re-test. See “Updating (flashing) BIOS from a disc” on page 560</li> <li>3. Replace component under function test</li> </ol>
020-262-XXX PCI system error	<ol style="list-style-type: none"> <li>1. <b>PCI card</b></li> <li>2. Riser card, if installed</li> <li>3. System board</li> </ol>
025-000-XXX IDE interface Test Passed	<b>No action</b>

Diagnostic Error Code	FRU/Action
025-00X-XXX 025-01X-XXX IDE interface failure	<ol style="list-style-type: none"> <li>1. <b>IDE signal cable</b></li> <li>2. Check power supply voltages</li> <li>3. Reseat IDE signal cable</li> <li>4. IDE device</li> <li>5. System board</li> </ol>
025-027-XXX IDE interface Configuration/Setup error	<ol style="list-style-type: none"> <li>1. <b>IDE signal cable</b></li> <li>2. Flash the system. See “Updating (flashing) BIOS from a disc” on page 560</li> <li>3. Reseat IDE signal cable</li> <li>4. IDE device</li> <li>5. System board</li> </ol>
025-02X-XXX 025-03X-XXX 025-04X-XXX IDE Interface failure	<ol style="list-style-type: none"> <li>1. <b>IDE signal cable</b></li> <li>2. Check power supply</li> <li>3. Reseat IDE signal cable</li> <li>4. IDE device</li> <li>5. System board</li> </ol>
025-195-XXX IDE interface Test aborted by user	<b>Information only</b> Re-start the test, if necessary
025-196-XXX IDE interface test halt, error threshold exceeded	<ol style="list-style-type: none"> <li>1. <b>Press F3 to review the log file</b></li> <li>2. Re-start the test to reset the log file</li> </ol>
025-197-XXX IDE interface test warning	<ol style="list-style-type: none"> <li>1. <b>Make sure the component that is called out is connected and/or enabled. See Chapter 6 “Using the Setup Utility” on page 43</b></li> <li>2. Re-run test</li> <li>3. Replace the component that is called out in warning statement</li> <li>4. Replace the component under test</li> </ol>
025-198-XXX IDE interface test aborted	<ol style="list-style-type: none"> <li>1. <b>If a component is called out, make sure it is connected and/or enabled. See Chapter 6 “Using the Setup Utility” on page 43</b></li> <li>2. Flash the system and re-test. See “Updating (flashing) BIOS from a disc” on page 560</li> <li>3. Go to “Undetermined problems” on page 69</li> </ol>
025-199-XXX IDE interface test failed, cause unknown	<ol style="list-style-type: none"> <li>1. Go to “Undetermined problems” on page 69</li> <li>2. Flash the system and re-test. See “Updating (flashing) BIOS from a disc” on page 560</li> <li>3. Replace component under function test</li> </ol>
030-000-XXX SCSI interface Test Passed	<b>No action</b>
030-00X-XXX 030-01X-XXX SCSI interface failure	<ol style="list-style-type: none"> <li>1. <b>SCSI signal cable</b></li> <li>2. Check power supply</li> <li>3. SCSI device</li> <li>4. SCSI adapter card, if installed</li> <li>5. System board</li> </ol>

Diagnostic Error Code	FRU/Action
030-027-XXX SCSI interface Configuration/Setup error	<ol style="list-style-type: none"> <li>1. <b>SCSI signal cable</b></li> <li>2. Flash the system. See “Updating (flashing) BIOS from a disc” on page 560</li> <li>3. SCSI device</li> <li>4. SCSI adapter card, if installed</li> <li>5. System board</li> </ol>
030-03X-XXX 030-04X-XXX SCSI interface error	<ol style="list-style-type: none"> <li>1. <b>SCSI signal cable</b></li> <li>2. Check power supply</li> <li>3. SCSI device</li> <li>4. SCSI adapter card, if installed</li> <li>5. System board</li> </ol>
030-195-XXX SCSI interface Test aborted by user	<b>Information only</b> Re-start the test, if necessary
030-196-XXX SCSI interface test halt, error threshold exceeded	<ol style="list-style-type: none"> <li>1. <b>Press F3 to review the log file</b></li> <li>2. Re-start the test to reset the log file</li> </ol>
030-197-XXX SCSI interface test warning	<ol style="list-style-type: none"> <li>1. <b>Make sure the component that is called out is connected and/or enabled. See Chapter 6 “Using the Setup Utility” on page 43</b></li> <li>2. Re-run test</li> <li>3. Replace the component that is called out in warning statement</li> <li>4. Replace the component under test</li> </ol>
030-198-XXX SCSI interface test aborted	<ol style="list-style-type: none"> <li>1. <b>If a component is called out, make sure it is connected and/or enabled. See Chapter 6 “Using the Setup Utility” on page 43</b></li> <li>2. Flash the system and re-test. See “Updating (flashing) BIOS from a disc” on page 560</li> <li>3. Go to “Undetermined problems” on page 69</li> </ol>
030-199-XXX SCSI interface test failed, cause unknown	<ol style="list-style-type: none"> <li>1. Go to “Undetermined problems” on page 69</li> <li>2. Flash the system and re-test. See “Updating (flashing) BIOS from a disc” on page 560</li> <li>3. Replace component under function test</li> </ol>
035-000-XXX RAID interface Test Passed	<b>No action</b>
035-0XX-XXX RAID interface Failure	<ol style="list-style-type: none"> <li>1. <b>RAID signal cable</b></li> <li>2. RAID device</li> <li>3. RAID adapter card, if installed</li> <li>4. System board</li> </ol>
035-195-XXX RAID interface Test aborted by user	<b>Information only</b> Re-start the test, if necessary
035-196-XXX RAID interface test halt, error threshold exceeded	<ol style="list-style-type: none"> <li>1. <b>Press F3 to review the log file</b></li> <li>2. Re-start the test to reset the log file</li> </ol>

Diagnostic Error Code	FRU/Action
035-197-XXX RAID interface test warning	<ol style="list-style-type: none"> <li>1. <b>Make sure the component that is called out is connected and/or enabled. See Chapter 6 “Using the Setup Utility” on page 43</b></li> <li>2. Re-run test</li> <li>3. Replace the component that is called out in warning statement</li> <li>4. Replace the component under test</li> </ol>
035-198-XXX RAID interface test aborted	<ol style="list-style-type: none"> <li>1. <b>If a component is called out, make sure it is connected and/or enabled. See Chapter 6 “Using the Setup Utility” on page 43</b></li> <li>2. Flash the system and re-test. See “Updating (flashing) BIOS from a disc” on page 560</li> <li>3. Go to “Undetermined problems” on page 69</li> </ol>
035-199-XXX RAID interface test failed, cause unknown	<ol style="list-style-type: none"> <li>1. See “Undetermined problems” on page 69</li> <li>2. Flash the system and re-test. See “Updating (flashing) BIOS from a disc” on page 560</li> <li>3. Replace component under function test</li> </ol>
071-000-XXX Audio port Interface Test Passed	<b>No action</b>
071-00X-XXX 071-01X-XXX 071-02X-XXX Audio port error	<ol style="list-style-type: none"> <li>1. <b>Run Setup</b></li> <li>2. Flash the system. See “Updating (flashing) BIOS from a disc” on page 560</li> <li>3. System board</li> </ol>
071-03X-XXX Audio port failure	<ol style="list-style-type: none"> <li>1. <b>Speakers</b></li> <li>2. Microphone</li> <li>3. Audio card, if installed</li> <li>4. System board</li> </ol>
071-04X-XXX Audio port failure	<ol style="list-style-type: none"> <li>1. <b>Run Setup</b></li> <li>2. Audio card, if installed</li> <li>3. System board</li> </ol>
071-195-XXX Audio port Test aborted by user	<b>Information only</b> Re-start the test, if necessary
071-196-XXX Audio port test halt, error threshold exceeded	<ol style="list-style-type: none"> <li>1. <b>Press F3 to review the log file</b></li> <li>2. Re-start the test to reset the log file</li> </ol>
071-197-XXX Audio port test warning	<ol style="list-style-type: none"> <li>1. <b>Make sure the component that is called out is connected and/or enabled. See Chapter 6 “Using the Setup Utility” on page 43</b></li> <li>2. Re-run test</li> <li>3. Replace the component that is called out in warning statement</li> <li>4. Replace the component under test</li> </ol>
071-198-XXX Audio port test aborted	<ol style="list-style-type: none"> <li>1. <b>If a component is called out, make sure it is connected and/or enabled. See Chapter 6 “Using the Setup Utility” on page 43</b></li> <li>2. Flash the system and re-test. See “Updating (flashing) BIOS from a disc” on page 560</li> <li>3. Go to “Undetermined problems” on page 69</li> </ol>

Diagnostic Error Code	FRU/Action
<b>071-199-XXX</b> Audio port test failed, cause unknown	<ol style="list-style-type: none"> <li>1. See “Undetermined problems” on page 69</li> <li>2. Flash the system and re-test. See “Updating (flashing) BIOS from a disc” on page 560</li> <li>3. Replace component under function test</li> </ol>
<b>071-25X-XXX</b> Audio port failure	<ol style="list-style-type: none"> <li>1. <b>Speakers</b></li> <li>2. Audio card, if installed</li> <li>3. System board</li> </ol>
<b>080-000-XXX</b> Game Port interface Test Passed	<b>No action</b>
<b>080-XXX-XXX</b> Game Port interface Error	<ol style="list-style-type: none"> <li>1. <b>Remove the game port device and re-test the system</b></li> </ol>
<b>080-195-XXX</b> Game Port interface Test aborted by user	<b>Information only</b> Re-start the test, if necessary
<b>080-196-XXX</b> Game Port interface test halt, error threshold exceeded	<ol style="list-style-type: none"> <li>1. <b>Press F3 to review the log file</b></li> <li>2. Re-start the test to reset the log file</li> </ol>
<b>080-197-XXX</b> Game Port interface test warning	<ol style="list-style-type: none"> <li>1. <b>Make sure the component that is called out is connected and/or enabled. See Chapter 6 “Using the Setup Utility” on page 43</b></li> <li>2. Re-run test</li> <li>3. Replace the component that is called out in warning statement</li> <li>4. Replace the component under test</li> </ol>
<b>080-198-XXX</b> Game Port interface test aborted	<ol style="list-style-type: none"> <li>1. <b>If a component is called out, make sure it is connected and/or enabled. See Chapter 6 “Using the Setup Utility” on page 43</b></li> <li>2. Flash the system and re-test. See “Updating (flashing) BIOS from a disc” on page 560</li> <li>3. Go to “Undetermined problems” on page 69</li> </ol>
<b>080-199-XXX</b> Game Port interface test failed, cause unknown	<ol style="list-style-type: none"> <li>1. See “Undetermined problems” on page 69</li> <li>2. Flash the system and re-test. See “Updating (flashing) BIOS from a disc” on page 560</li> <li>3. Replace component under function test</li> </ol>
<b>086-000-XXX</b> Mouse Port interface Test Passed	<b>No action</b>
<b>086-001-XXX</b> Mouse Port interface Presence	<ol style="list-style-type: none"> <li>1. <b>Mouse</b></li> <li>2. System board</li> </ol>
<b>086-032-XXX</b> Mouse Port interface Device controller failure	<ol style="list-style-type: none"> <li>1. <b>Mouse</b></li> <li>2. System board</li> </ol>
<b>086-035-XXX</b> Mouse Port interface Reset	<ol style="list-style-type: none"> <li>1. <b>Mouse</b></li> <li>2. System board</li> </ol>
<b>086-040-XXX</b> Mouse Port interface IRQ failure	<ol style="list-style-type: none"> <li>1. <b>Run Setup</b></li> <li>2. Mouse</li> <li>3. System board</li> </ol>
<b>086-195-XXX</b> Mouse Port interface Test aborted by user	<b>Information only</b> Re-start the test, if necessary
<b>086-196-XXX</b> Mouse Port interface test halt, error threshold exceeded	<ol style="list-style-type: none"> <li>1. <b>Press F3 to review the log file</b></li> <li>2. Re-start the test to reset the log file</li> </ol>

Diagnostic Error Code	FRU/Action
086-197-XXX Mouse Port interface test warning	<ol style="list-style-type: none"> <li>1. <b>Make sure the component that is called out is connected and/or enabled. See Chapter 6 “Using the Setup Utility” on page 43</b></li> <li>2. Re-run test</li> <li>3. Replace the component that is called out in warning statement</li> <li>4. Replace the component under test</li> </ol>
086-198-XXX Mouse Port interface test aborted	<ol style="list-style-type: none"> <li>1. <b>If a component is called out, make sure it is connected and/or enabled. See Chapter 6 “Using the Setup Utility” on page 43</b></li> <li>2. Flash the system and re-test. See “Updating (flashing) BIOS from a disc” on page 560</li> <li>3. Go to “Undetermined problems” on page 69</li> </ol>
086-199-XXX Mouse Port interface test failed, cause unknown	<ol style="list-style-type: none"> <li>1. See “Undetermined problems” on page 69</li> <li>2. Flash the system and re-test. See “Updating (flashing) BIOS from a disc” on page 560</li> <li>3. Replace component under function test</li> </ol>
089-000-XXX Microprocessor Test Passed	<b>No action</b>
089-XXX-XXX Microprocessor failure	<ol style="list-style-type: none"> <li>1. <b>Microprocessor(s)</b></li> <li>2. System board</li> </ol>
089-195-XXX Microprocessor Test aborted by user	<b>Information only</b> Re-start the test, if necessary
089-196-XXX Microprocessor test halt, error threshold exceeded	<ol style="list-style-type: none"> <li>1. <b>Press F3 to review the log file</b></li> <li>2. Re-start the test to reset the log file</li> </ol>
089-197-XXX Microprocessor test warning	<ol style="list-style-type: none"> <li>1. <b>Make sure the component that is called out is connected and/or enabled. See Chapter 6 “Using the Setup Utility” on page 43</b></li> <li>2. Re-run test</li> <li>3. Replace the component that is called out in warning statement</li> <li>4. Replace the component under test</li> </ol>
089-198-XXX Microprocessor test aborted	<ol style="list-style-type: none"> <li>1. <b>Flash the system. See “Updating (flashing) BIOS from a disc” on page 560</b></li> <li>2. Go to “Undetermined problems” on page 69</li> </ol>
089-199-XXX Microprocessor test failed, cause unknown	<ol style="list-style-type: none"> <li>1. See “Undetermined problems” on page 69</li> <li>2. Flash the system and re-test. See “Updating (flashing) BIOS from a disc” on page 560</li> <li>3. Replace component under function test</li> </ol>
170-000-XXX Voltage Sensor(s) Test Passed	<b>No action</b>
170-0XX-XXX Voltage Sensor(s) failure	<ol style="list-style-type: none"> <li>1. <b>Flash system</b></li> <li>2. System board</li> </ol>
170-195-XXX Voltage Sensor(s) Test aborted by user	<b>Information only</b> Re-start the test, if necessary
170-196-XXX Voltage Sensor(s) test halt, error threshold exceeded	<ol style="list-style-type: none"> <li>1. <b>Press F3 to review the log file</b></li> <li>2. Re-start the test to reset the log file</li> </ol>

Diagnostic Error Code	FRU/Action
170-197-XXX Voltage Sensor(s) test warning	<ol style="list-style-type: none"> <li>1. <b>Make sure the component that is called out is connected and/or enabled. See Chapter 6 “Using the Setup Utility” on page 43</b></li> <li>2. Re-run test</li> <li>3. Replace the component that is called out in warning statement</li> <li>4. Replace the component under test</li> </ol>
170-198-XXX Voltage Sensor(s) test aborted	<ol style="list-style-type: none"> <li>1. <b>If a component is called out, make sure it is connected and/or enabled. See Chapter 6 “Using the Setup Utility” on page 43</b></li> <li>2. Flash the system and re-test. See “Updating (flashing) BIOS from a disc” on page 560</li> <li>3. Go to “Undetermined problems” on page 69</li> </ol>
170-199-XXX Voltage Sensor(s) test failed, cause unknown	<ol style="list-style-type: none"> <li>1. <b>See “Undetermined problems” on page 69</b></li> <li>2. Flash the system and re-test. See “Updating (flashing) BIOS from a disc” on page 560</li> <li>3. Replace component under function test</li> </ol>
170-250-XXX 170-251-XXX Voltage Sensor(s) Voltage limit error	<ol style="list-style-type: none"> <li>1. <b>Power supply</b></li> <li>2. System board</li> </ol>
170-254-XXX Voltage Sensor(s) Voltage Regulator Module error	<ol style="list-style-type: none"> <li>1. <b>Voltage Regulator Module (VRM)</b></li> <li>2. Microprocessor</li> <li>3. System board</li> </ol>
175-000-XXX Thermal Sensor(s) Test Passed	<b>No action</b>
175-0XX-XXX Thermal Sensor(s) failure	<ol style="list-style-type: none"> <li>1. <b>Flash system</b></li> <li>2. System board</li> </ol>
175-195-XXX Thermal Sensor(s) Test aborted by user	<b>Information only</b> Re-start the test, if necessary
175-196-XXX Thermal Sensor(s) test halt, error threshold exceeded	<ol style="list-style-type: none"> <li>1. <b>Press F3 to review the log file</b></li> <li>2. Re-start the test to reset the log file</li> </ol>
175-197-XXX Thermal Sensor(s) test warning	<ol style="list-style-type: none"> <li>1. <b>Make sure the component that is called out is connected and/or enabled. See Chapter 6 “Using the Setup Utility” on page 43</b></li> <li>2. Re-run test</li> <li>3. Replace the component that is called out in warning statement</li> <li>4. Replace the component under test</li> </ol>
175-198-XXX Thermal Sensor(s) test aborted	<ol style="list-style-type: none"> <li>1. <b>If a component is called out, make sure it is connected and/or enabled</b></li> <li>2. Flash the system and re-test. See “Updating (flashing) BIOS from a disc” on page 560</li> <li>3. Go to “Undetermined problems” on page 69</li> </ol>
175-199-XXX Thermal Sensor(s) test failed, cause unknown	<ol style="list-style-type: none"> <li>1. <b>See “Undetermined problems” on page 69</b></li> <li>2. Flash the system and re-test. See “Updating (flashing) BIOS from a disc” on page 560</li> <li>3. Replace component under function test</li> </ol>

<b>Diagnostic Error Code</b>	<b>FRU/Action</b>
<b>175-250-XXX 175-251-XXX</b> Thermal Sensor(s) limit error	<ol style="list-style-type: none"> <li>1. <b>Check fans</b></li> <li>2. Check Power supply voltages</li> <li>3. Microprocessor</li> <li>4. System board</li> </ol>
<b>185-000-XXX</b> Asset Security Test Passed	<b>No action</b>
<b>185-XXX-XXX</b> Asset Security failure	<ol style="list-style-type: none"> <li>1. <b>Flash system</b></li> <li>2. System board</li> </ol>
<b>185-278-XXX</b> Asset Security Chassis Intrusion	<ol style="list-style-type: none"> <li>1. <b>Assure Asset Security Enabled</b></li> <li>2. C2 Cover Switch</li> <li>3. System board</li> </ol>
<b>201-000-XXX</b> System Memory Test Passed	<b>No action</b>
<b>201-XXX-XXX</b> System Memory error	<ol style="list-style-type: none"> <li>1. <b>Replace the memory module called out by the test</b></li> <li>2. System board</li> </ol>
<b>202-000-XXX</b> System Cache Test Passed	<b>No action</b>
<b>202-XXX-XXX</b> System Cache error	<ol style="list-style-type: none"> <li>1. <b>Cache, if removable</b></li> <li>2. System board</li> <li>3. Microprocessor</li> </ol>
<b>206-000-XXX</b> Diskette Drive Test Passed	<b>No action</b>
<b>206-XXX-XXX</b> Diskette Drive error	<ol style="list-style-type: none"> <li>1. <b>Diskette Drive Cable</b></li> <li>2. Check power supply voltages</li> <li>3. Diskette drive</li> <li>4. System board</li> </ol>
<b>215-000-XXX</b> CD-ROM Drive Test Passed	<b>No action</b>
<b>215-XXX-XXX</b> CD-ROM Drive error	<ol style="list-style-type: none"> <li>1. <b>CD-ROM Drive Cable</b></li> <li>2. Check power supply voltages</li> <li>3. CD-ROM drive</li> <li>4. System board</li> </ol>
<b>217-000-XXX</b> Hard Disk Drive Test Passed	<b>No action</b>
<b>217-25X-XXX 217-26X-XXX</b> Hard Disk Drive (IDE) error	<ol style="list-style-type: none"> <li>1. <b>Hard Disk Drive Cable</b></li> <li>2. Check power supply voltages</li> <li>3. Reseat the hard disk drive cable</li> <li>4. Hard Disk drive (IDE)</li> <li>5. System board</li> </ol>
<b>217-28X-XXX 217-29X-XXX</b> Hard Disk Drive (SCSI) error	<ol style="list-style-type: none"> <li>1. <b>Hard Disk Drive Cable</b></li> <li>2. Check power supply voltages</li> <li>3. Reseat the hard disk drive cable</li> <li>4. Hard Disk drive (SCSI)</li> <li>5. SCSI adapter card</li> <li>6. System board</li> </ol>
<b>220-000-XXX</b> Hi-Capacity Cartridge Drive Test Passed	<b>No action</b>



Diagnostic Error Code	FRU/Action
<b>220-XXX-XXX</b> Hi-Capacity Cartridge Drive error	1. <b>Remove the Hi-Capacity Cartridge Drive and re-test the system</b>
<b>301-XXX-XXX</b> Keyboard error	1. <b>Keyboard</b> 2. Check and test mouse 3. System board
<b>301-000-XXX</b> Keyboard Test Passed	<b>No action</b>
<b>302-000-XXX</b> Mouse Test Passed	<b>No action</b>
<b>302-XXX-XXX</b> Mouse error	1. <b>Mouse</b> 2. Check and test Keyboard 3. System board
<b>303-000-XXX</b> Joystick Test Passed	<b>No action</b>
<b>303-XXX-XXX</b> Joystick error	<b>Remove the Joystick and re-test the system</b>
<b>305-000-XXX</b> Monitor DDC Test Passed	<b>No action</b>
<b>305-250-XXX</b> Monitor DDC self test failure	1. <b>Run Setup to enable DDC</b> 2. Cable 3. Monitor 4. Video card 5. System board
<b>415-000-XXX</b> Modem Test Passed	<b>No action</b>
<b>415-XXX-XXX</b> Modem error	<b>Remove the Modem and re-test the system</b>

## Beep symptoms

Beep symptoms are tones or a series of tones separated by pauses (intervals without sound) during POST.

The following tables describes beep symptoms.

Beep Symptom	FRU/Action
<b>2 short beeps</b> CMOS setting error	Perform the following actions in order. <ol style="list-style-type: none"> <li>1. Start the Setup Utility program and press F10 to Save and exit. See Chapter 6 “Using the Setup Utility” on page 43.</li> <li>2. Start the Setup Utility program and press F9 to load defaults and then press F10 to Save and exit.</li> <li>3. Perform a Boot-block recovery. See “Recovering from a POST/BIOS update failure” on page 560.</li> </ol>
<b>1 long and 2 short beeps</b> Monitor or video adapter card error	Perform the following actions in order. <ol style="list-style-type: none"> <li>1. Make sure the monitor is properly connected to the computer.</li> <li>2. Replace the video adapter card (if present).</li> <li>3. Replace the system board.</li> </ol>

Beep Symptom	FRU/Action
<b>1 long and 9 short beeps</b> BIOS ROM error	Perform the following actions in order. <ol style="list-style-type: none"> <li>1. Start the Setup Utility program and press F9 to load defaults and then press F10 to Save and exit. See Chapter 6 “Using the Setup Utility” on page 43.</li> <li>2. Perform a Boot-block recovery. See “Recovering from a POST/BIOS update failure” on page 560.</li> <li>3. Replace the system board.</li> </ol>
<b>Four sets of three beeps</b> DRAM memory error	Perform the following actions in order. <ol style="list-style-type: none"> <li>1. Make sure the memory module(s) are properly seated in the connector(s).</li> <li>2. Replace the memory module(s).</li> <li>3. Replace the system board.</li> </ol>

## POST error codes

Each time you power-on the system, it performs a series of tests that check the operation of the system and some options. This series of tests is called the *Power-On Self-Test*, or *POST*. POST does the following operations.

- Checks some basic system-board operations
- Checks the memory operation
- Starts the video operation
- Verifies that the boot drive is working

If the POST detects a problem, an error message appears on the screen. A single problem can cause several error messages to appear. When you correct the cause of the first error message, the other error messages probably will not appear on the screen the next time you turn on the system.

POST Error Message	Description/Action
CMOS battery failed	The CMOS battery is no longer functional.  Replace the battery.
CMOS checksum error - defaults loaded	Checksum of CMOS is incorrect.  The computer loads the default configuration settings. This error might indicate that CMOS has become corrupt due to a weak CMOS battery.
CPU at nnnn	nnnn is the running speed of the microprocessor.
Press Esc to skip memory test	Pressing Esc skips the full memory test
HARD DISK INSTALL FAILURE	Cannot find or initialize the hard disk drive controller or the drive.  Make sure the hard disk drive is correctly installed.  If no hard disk drives are installed, make sure the hard disk drive selection in Setup is set to NONE.

POST Error Message	Description/Action
Keyboard error or no keyboard present	<p>Cannot initialize the keyboard.</p> <p>Make sure the keyboard is properly connected to the computer and that no keys are held pressed during POST.</p> <p>To purposely configure the computer without a keyboard, set the error halt condition in Setup to HALT ON ALL, BUT KEYBOARD. The BIOS then ignores the missing keyboard during POST.</p>
Memory Test:	This message displays during a full memory test, counting down the memory areas being tested.
Memory test fail	If POST detects an error during memory testing, additional information appears. This information gives specifics about the type and location of the memory error.
Press TAB to show POST screen	Pressing the TAB key permits the user to toggle between the default POST display screen and a custom POST display screen.
Error: Non-System disk or disk error Replace and press any key when ready	<p>The BIOS was unable to find a suitable boot device.</p> <p>Make sure the boot drive is properly connected to the computer.</p> <p>Make sure you have bootable media.</p>

## Miscellaneous error messages

Message/Symptom	FRU/Action
Changing display colors	<b>Display/Monitor</b>
Computer will <i>not</i> power-off. See "Hard disk drive boot error" on page 47.	<ol style="list-style-type: none"> <li><b>Power Switch</b></li> <li>System Board</li> <li>Riser card, if installed</li> </ol>
Computer will <i>not</i> RPL from server	<ol style="list-style-type: none"> <li><b>Ensure that network is in startup sequence as first device or first device after diskette</b></li> <li>Ensure that network adapter is enabled for RPL</li> <li>Network adapter (Advise network administrator of new MAC address)</li> </ol>
Computer will <i>not</i> perform a Wake on LAN® (if applicable)	<ol style="list-style-type: none"> <li><b>Check power supply and signal cable connections to network adapter</b></li> <li>Ensure that the operating system settings are set to enable Wake on LAN</li> <li>Ensure Wake on LAN feature is enabled in Setup/Configuration (see "Starting the Setup Utility program" on page 43)</li> <li>Ensure network administrator is using correct MAC address</li> <li>Ensure no interrupt or I/O address conflicts</li> <li>Network adapter (advise network administrator of new MAC address)</li> </ol>

<b>Message/Symptom</b>	<b>FRU/Action</b>
Dead computer. See "Hard disk drive boot error" on page 47.	<ol style="list-style-type: none"> <li>1. <b>Power Supply</b></li> <li>2. System Board</li> </ol>
Diskette drive in-use light remains on or does not light when drive is active.	<ol style="list-style-type: none"> <li>1. <b>Diskette Drive</b></li> <li>2. System Board</li> <li>3. Diskette Drive Cable</li> </ol>
Flashing cursor with an otherwise blank display.	<ol style="list-style-type: none"> <li>1. <b>System Board</b></li> <li>2. Primary Hard Disk Drive</li> <li>3. Hard Disk Drive Cable</li> </ol>
Incorrect memory size during POST	<ol style="list-style-type: none"> <li>1. <b>Run the Memory tests</b></li> <li>2. Memory Module</li> <li>3. System Board</li> </ol>
"Insert a Diskette" icon appears with a known-good diagnostics diskette in the first 3.5-inch diskette drive.	<ol style="list-style-type: none"> <li>1. <b>System Board</b></li> <li>2. Diskette Drive Cable</li> <li>3. Network Adapter</li> </ol>
Intensity or color varies from left to right of characters and color bars	<ol style="list-style-type: none"> <li>1. <b>Display</b></li> <li>2. Video adapter (if present)</li> <li>3. System Board</li> </ol>
No power or fan not running	1. <b>See "Hard disk drive boot error" on page 47.</b>
Non-system disk or disk error-type message with a known-good diagnostic diskette.	<ol style="list-style-type: none"> <li>1. <b>Diskette Drive</b></li> <li>2. System Board</li> <li>3. Diskette Drive Cable</li> </ol>
Other display symptoms not listed above (including blank or illegible display)	<ol style="list-style-type: none"> <li>1. <b>Display</b></li> <li>2. System Board</li> </ol>
Power-on indicator or hard disk drive in-use light not on, but computer works correctly	<ol style="list-style-type: none"> <li>1. Power switch/LED assembly</li> <li>2. System Board</li> </ol>
Printer problems	<ol style="list-style-type: none"> <li>1. <b>Printer</b></li> <li>2. System Board</li> </ol>
Program loads from the hard disk with a known-good diagnostics diskette in the first 3.5-inch diskette drive	<ol style="list-style-type: none"> <li>1. <b>Run Setup</b> and check Startup sequence.</li> <li>2. Diskette Drive</li> <li>3. Diskette Drive Cable</li> <li>4. System Board</li> <li>5. Power Supply</li> </ol>
RPL computer cannot access programs from its own hard disk.	<ol style="list-style-type: none"> <li>1. <b>If network administrator is using LCCM Hybrid RPL, check startup sequence:</b> <ol style="list-style-type: none"> <li>a. <b>First device - network</b></li> <li>b. <b>Second device - hard disk</b></li> </ol> </li> <li>2. Hard disk drive</li> </ol>
RPL computer does not RPL from server	<ol style="list-style-type: none"> <li>1. <b>Check startup sequence</b></li> <li>2. Check the network adapter LED status</li> </ol>

Message/Symptom	FRU/Action
Serial or parallel port device failure (system board port)	<ol style="list-style-type: none"> <li>1. <b>External Device Self-Test OK?</b></li> <li>2. External Device</li> <li>3. Cable</li> <li>4. System Board</li> </ol>
Serial or parallel port device failure (adapter port)	<ol style="list-style-type: none"> <li>1. <b>External Device Self-Test OK?</b></li> <li>2. External Device</li> <li>3. Cable</li> <li>4. Alternate Adapter</li> <li>5. System Board</li> </ol>
Some or all keys on the keyboard do not work	<ol style="list-style-type: none"> <li>1. <b>Keyboard</b></li> <li>2. Keyboard Cable</li> <li>3. System Board</li> </ol>

---

## Undetermined problems

If you encounter undetermined problems, do the following:

1. Turn off the computer and the power.
2. Remove or disconnect the following components (if installed) one at a time.
  - a. External devices (modem, printer, or mouse)
  - b. Any adapter cards
  - c. Memory modules
  - d. Extended video memory
  - e. External Cache
  - f. External Cache RAM
  - g. Hard disk drive
  - h. Diskette drive
3. Turn on the power and the computer to re-test the system.
4. Repeat steps 1 through 3 until you find the failing device or adapter cards.

If all devices and adapter cards have been removed, and the problem continues, replace the system board. See “Replacing the system board” on page 84 or “Replacing the system board” on page 121.



---

## Chapter 8. Replacing FRUs (Machine Types: 3063, 3231, 3285, 4084, 4085, 4086, 4087, 6138, 6209, 6239, 6302, 7188, 7244, 7347, 7355, 7358, 7373, 7484, 7571, 7628, 7635, 7639, 8494, 8854, 9728, 9960, and 9965.)

### Important

Be sure to read and understand Chapter 2 “Safety information” on page 3 before you replace any FRU. These precautions and guidelines will help you work safely.

FRU replacements are to be done only by trained service technicians.

This chapter does not contain the remove or replace procedure for all FRUs. Only the major FRUs are documented.

---

### Locating connectors on the front of the computer

The following illustration shows the location of the connectors on the front of your computer.

**Note:** Not all computer models will have the following connectors.

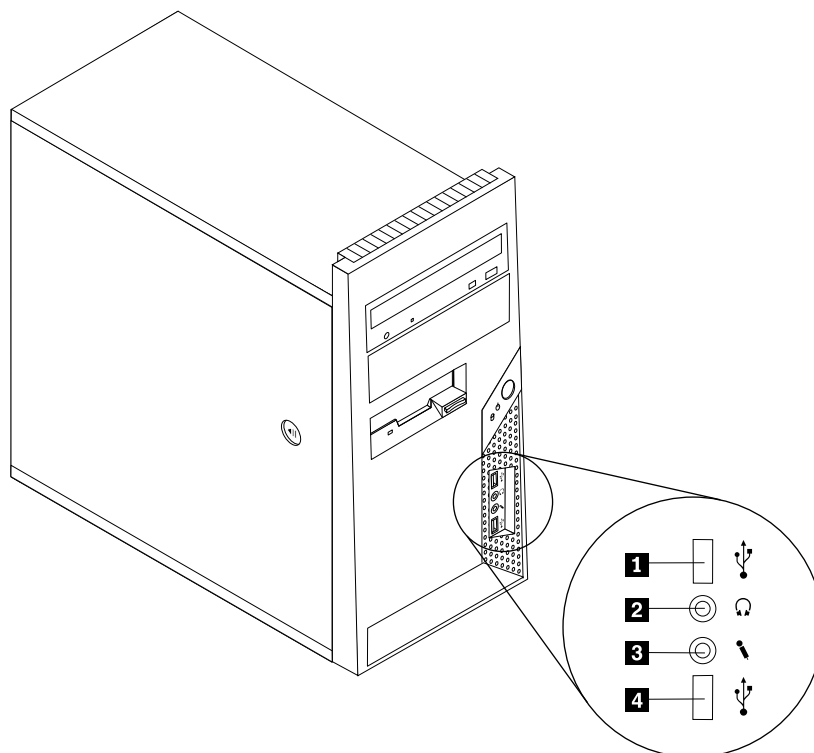


Figure 1. Front connector locations

**1** USB connector

**2** Headphone connector

**3** Microphone connector

**4** USB connector

## Locating connectors on the rear of the computer

The following illustration shows the locations of the connectors on the rear of the computer.

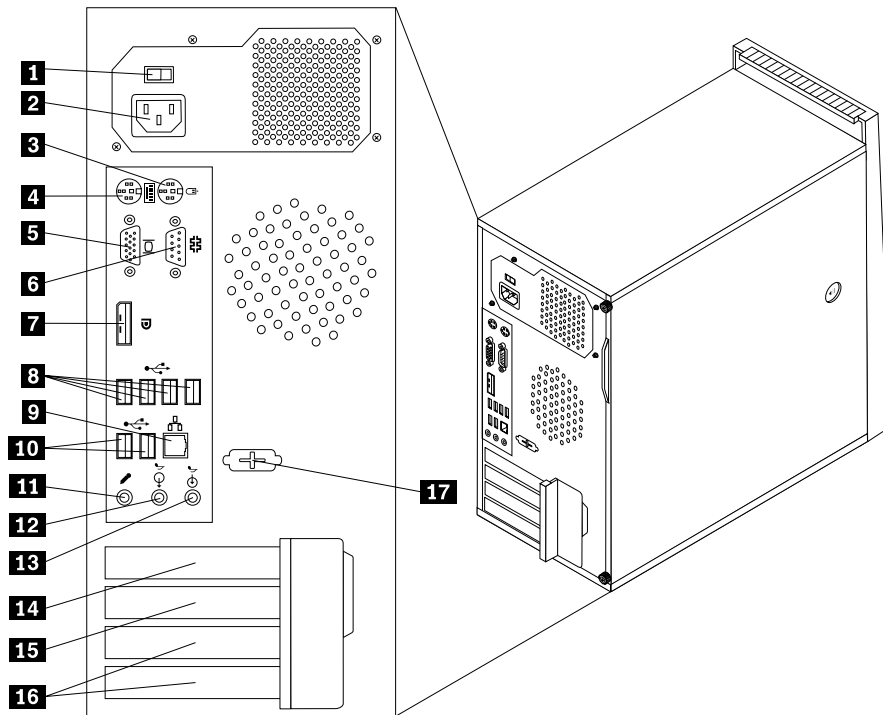


Figure 2. Rear connector locations

- |   |  |
|---|--|
| <b>1</b> Voltage-selection switch (some models) | <b>10</b> USB connectors (2)                         |
| <b>2</b> Power cord connector                   | <b>11</b> Microphone connector                       |
| <b>3</b> Standard mouse connector               | <b>12</b> Audio line-out connector                   |
| <b>4</b> Standard keyboard connector            | <b>13</b> Audio line-in connector                    |
| <b>5</b> VGA monitor connector                  | <b>14</b> PCI Express x16 graphics adapter card slot |
| <b>6</b> Serial port                            | <b>15</b> PCI Express x1 adapter card slot           |
| <b>7</b> DisplayPort connector                  | <b>16</b> Adapter card slots (2)                     |
| <b>8</b> USB connectors (4)                     | <b>17</b> Serial port (some models)                  |
| <b>9</b> Ethernet connector                     |  |



---

## Removing the computer cover

### Attention

Do not open your computer or attempt any repair before reading and understanding the “Important safety information” in the *ThinkCentre Safety and Warranty Guide* that came with your computer. To obtain a copy of the *ThinkCentre Safety and Warranty Guide*, go to: <http://www.lenovo.com/support>

This section provides instructions on how to remove the computer cover.

### CAUTION:

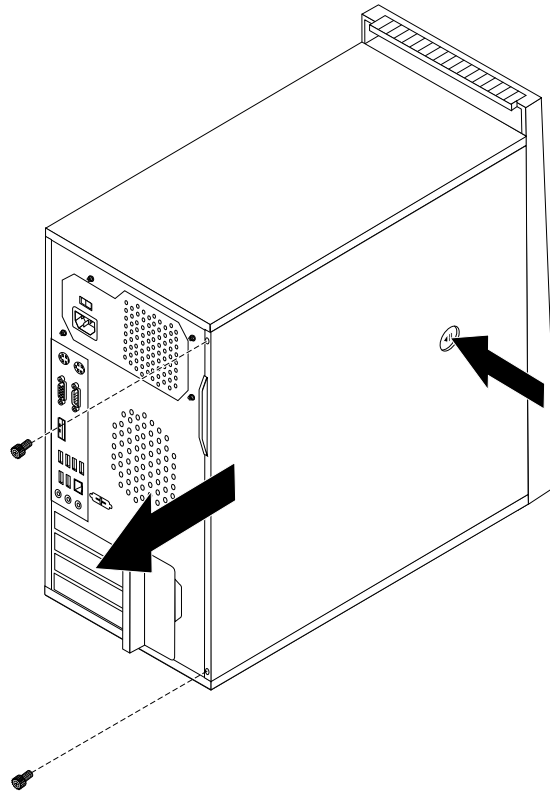


**Turn off the computer and wait three to five minutes to let the computer cool before removing the computer cover.**

To remove the computer cover:

1. Remove any media from the drives, shut down your operating system, and turn off all attached devices and the computer.
2. Unplug all power cords from electrical outlets.
3. Disconnect the cables attached to the computer. This includes power cords, Input/Output (I/O) cables, and any other cables that are connected to the computer. See “Locating connectors on the front of the computer” on page 71 and “Locating connectors on the rear of the computer” on page 72.
4. Remove any locking devices, such as a cable lock that secures the computer cover.
5. If there are thumbscrews that secure the computer cover, remove them.

6. Press the cover-release button on the side of the computer cover and slide the computer cover to the rear to remove.



*Figure 3. Removing the computer cover*

---

## Locating components

The following illustration shows the major parts in the computer.

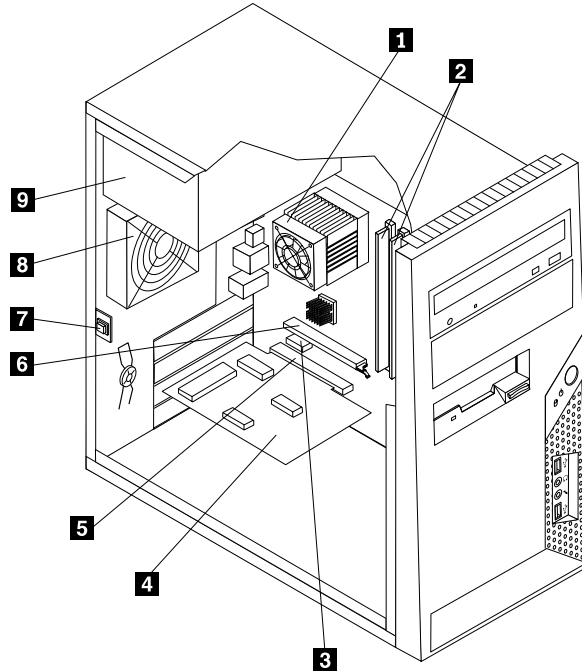


Figure 4. Component locations

- |  |   |
|--|---|
| <b>1</b> Microprocessor, heat sink, and heat sink fan assembly | <b>6</b> PCI Express x16 graphics adapter card slot           |
| <b>2</b> Memory slots (4)                                      | <b>7</b> Cover presence switch (also called intrusion switch) |
| <b>3</b> PCI Express x1 adapter card slot                      | <b>8</b> Rear system fan                                      |
| <b>4</b> Adapter card  | <b>9</b> Power supply   |
| <b>5</b> Adapter card slot                                     |   |

## Locating parts on the system board

Figure 5 “System board parts locations” on page 76 shows the location of parts on the system board.

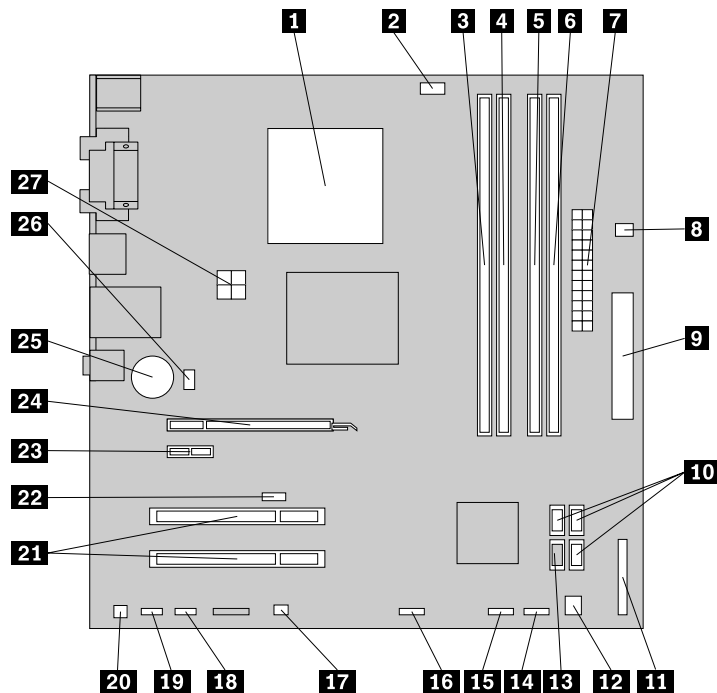


Figure 5. System board parts locations

- |                                       |   |
|---------------------------------------|---|
| <b>1</b> Microprocessor               | <b>15</b> Front USB connector 1                       |
| <b>2</b> Microprocessor fan connector | <b>16</b> Front USB connector 2                       |
| <b>3</b> Memory slot 1                | <b>17</b> Clear CMOS/Recovery jumper                  |
| <b>4</b> Memory slot 2                | <b>18</b> Serial (COM2) connector                     |
| <b>5</b> Memory slot 3                | <b>19</b> Front audio connector                       |
| <b>6</b> Memory slot 4                | <b>20</b> Internal speaker connector                  |
| <b>7</b> 24-pin power connector       | <b>21</b> Adapter card slots (2)                      |
| <b>8</b> Thermal sensor connector     | <b>22</b> Cover presence (Intrusion) switch connector |
| <b>9</b> Diskette drive connector     | <b>23</b> PCI Express x1 adapter card slot            |
| <b>10</b> SATA connectors (3)         | <b>24</b> PCI Express x16 graphics adapter card slot  |
| <b>11</b> Parallel (LPT) connector    | <b>25</b> Battery                                     |
| <b>12</b> Power fan connector         | <b>26</b> System fan connector                        |
| <b>13</b> eSATA connector             | <b>27</b> 4-pin power connector                       |
| <b>14</b> Front panel connector       |   |

## Removing and reinstalling the front bezel

### Attention

Do not open your computer or attempt any repair before reading and understanding the “Important safety information” in the *ThinkCentre Safety and Warranty Guide* that came with your computer. To obtain a copy of the *ThinkCentre Safety and Warranty Guide*, go to:  
<http://www.lenovo.com/support>

This section provides instructions on how to remove and reinstall the front bezel.

To remove and reinstall the front bezel:

1. Remove the computer cover. See “Removing the computer cover” on page 73.
2. Remove the front bezel by releasing the three plastic tabs on the left side and pivoting the front bezel outward. Carefully set the front bezel to the side without disconnecting the power switch and LED assembly cable.

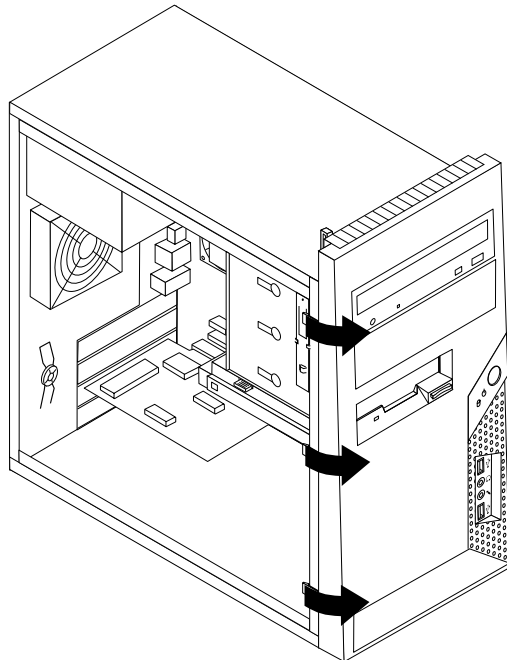


Figure 6. Removing the front bezel

3. To reinstall the front bezel, align the plastic tabs on the right side of the front bezel with the corresponding holes in the chassis, and then pivot the front bezel inward until it snaps into position on the left side.
4. Go to “Completing the FRU replacement” on page 103.

## Replacing a memory module

### Attention

Do not open your computer or attempt any repair before reading and understanding the “Important safety information” in the *ThinkCentre Safety and Warranty Guide* that came with your computer. To obtain a copy of the *ThinkCentre Safety and Warranty Guide*, go to:  
<http://www.lenovo.com/support>

This section provides instructions on how to replace a memory module.

Your computer has four slots for installing or replacing DDR3 DIMMs (double data rate 3 dual inline memory modules) that provide up to a maximum of 8 GB of system memory.

When installing or replacing memory modules, use the following guidelines:

- Use 1.8 V, 240-pin DDR3 SDRAM (double data rate 3 synchronous dynamic random access memory).
- Use 1 GB or 2 GB memory modules in any combination up to a maximum of 8 GB.

**Note:** Only DDR3 SDRAM DIMMs can be used.

To replace a memory module:

1. Remove the computer cover. See “Removing the computer cover” on page 73.
2. Locate the memory slots. See “Locating parts on the system board” on page 76.
3. Remove the memory module being replaced by opening the retaining clips as shown.

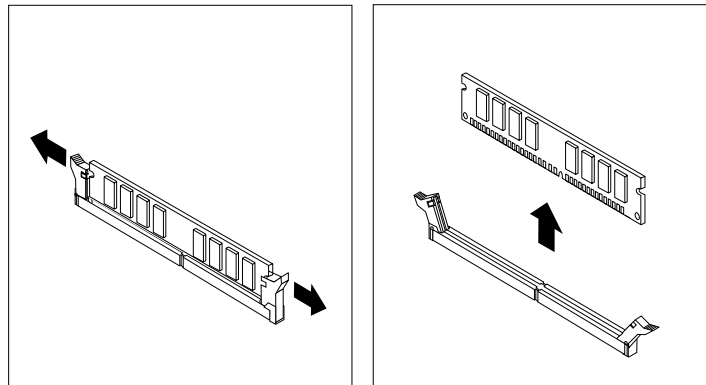


Figure 7. Removing the memory module

4. Position the replacement memory module over the memory slot. Make sure the notch **1** on the memory module aligns correctly with the slot key **2** on the system board. Push the memory module straight down into the slot until the retaining clips close.

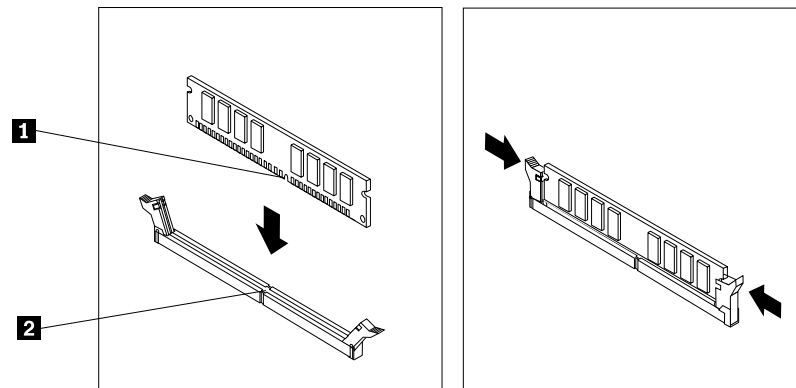


Figure 8. Installing the memory module

5. Go to “Completing the FRU replacement” on page 103.

---

## Replacing the power supply

### Attention

Do not open your computer or attempt any repair before reading and understanding the “Important safety information” in the *ThinkCentre Safety and Warranty Guide* that came with your computer. To obtain a copy of the *ThinkCentre Safety and Warranty Guide*, go to:  
<http://www.lenovo.com/support>

This section provides instructions on how to replace the power supply.

### Attention

Never remove the cover on a power supply or any part that has the following label attached.



Hazardous voltage, current, and energy levels are present inside any component that has this label attached. There are no serviceable parts inside these components.

To replace the power supply:

1. Remove the computer cover. See “Removing the computer cover” on page 73.
2. Disconnect the power supply cables from the system board and from all drives. See “Locating parts on the system board” on page 76.
3. Lay the computer on its side and remove the four screws at the rear of the chassis that secure the power supply.

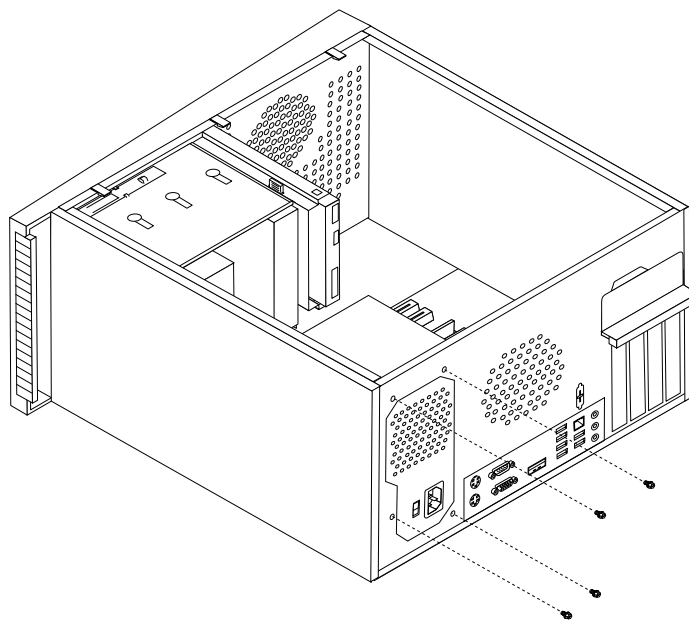


Figure 9. Removing the retaining screws for the power supply

4. Remove the old power supply from the chassis.
  5. Ensure that the power supply is the correct replacement. Some power supply automatically sense the voltage, some power supply are voltage specific, and some power supply have a voltage-selection switch. If your computer has a voltage-selection switch, ensure that you set the voltage-selection switch of the new power supply to match the voltage available at your electrical outlet. If necessary, use a ballpoint pen to slide the voltage-selection switch to a different position.
    - If the voltage supply range in your local country or region is 100–127 V AC, set the switch to 115 V.
    - If the voltage supply range in your local country or region is 200–240 V AC, set the switch to 230 V.
  6. Install the new power supply into the chassis so that the screw holes in the power supply align with those in the chassis.
  7. Install the four screws to secure the power supply.
- Note:** Use only screws provided by Lenovo.
8. Reconnect the power supply connectors to the system board.
  9. Reconnect a power supply connector to each of the drives.
  10. Go to “Completing the FRU replacement” on page 103.

---

## Replacing the heat sink and fan assembly

### Attention

Do not open your computer or attempt any repair before reading and understanding the “Important safety information” in the *ThinkCentre Safety and Warranty Guide* that came with your computer. To obtain a copy of the *ThinkCentre Safety and Warranty Guide*, go to:  
<http://www.lenovo.com/support>

This section provides instructions on how to replace the heat sink and fan assembly.



**CAUTION:**



The heat sink and fan assembly might be very hot. Turn off the computer and wait three to five minutes to let the computer cool before removing the computer cover.

To replace the heat sink and fan assembly:

1. Remove the computer cover. See “Removing the computer cover” on page 73.
2. Lay the computer on its side.
3. Locate the heat sink and fan assembly. See “Locating parts on the system board” on page 76.
4. Disconnect the heat sink and the fan assembly cable from the microprocessor fan connector on the system board. See “Locating parts on the system board” on page 76.
5. Remove the four screws **1** that secure the heat sink and fan assembly to the system board.

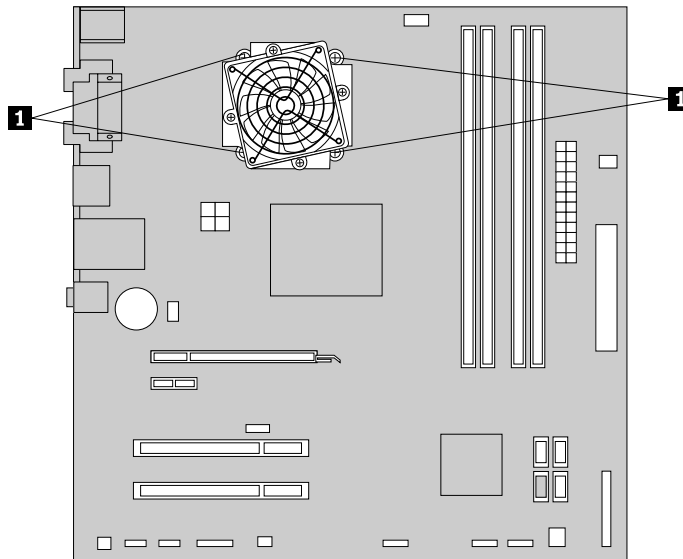


Figure 10. Removing the heat sink and fan assembly

6. Lift the failing heat sink and fan assembly off the system board.

**Note:** You might have to gently twist the heat sink and fan assembly to free it from the microprocessor.

7. Position the new heat sink and fan assembly on the plastic retention bracket so that the four screws are aligned with the posts on the system board. Tighten the four screws to secure the new heat sink and fan assembly to the system board.
8. Connect the heat sink and fan assembly cable to the microprocessor fan connector on the system board.
9. Go to “Completing the FRU replacement” on page 103.

---

## Replacing the microprocessor

**Attention**

Do not open your computer or attempt any repair before reading and understanding the “Important safety information” in the *ThinkCentre Safety and Warranty Guide* that came with your computer. To obtain a copy of the *ThinkCentre Safety and Warranty Guide*, go to:  
<http://www.lenovo.com/support>

This section provides instructions on how to replace the microprocessor.

**CAUTION:**



The heat sink and microprocessor might be very hot. Turn off the computer and wait three to five minutes to let the computer cool before removing the computer cover.

To replace the microprocessor:

1. Remove the computer cover. See “Removing the computer cover” on page 73.
2. Lay the computer on its side for easier access to the system board.
3. Remove any parts or cables that may prevent your access to the system board.
4. Disconnect the heat sink and fan assembly cable from the microprocessor fan connector on the system board. See “Locating parts on the system board” on page 76.
5. Remove the heat sink and fan assembly. See “Replacing the heat sink and fan assembly” on page 80.
6. Place the heat sink and fan assembly on its side so that the thermal grease does not come in contact with anything.
7. Lift the small handle **3** and open the retainer **1** to access the microprocessor **2**.

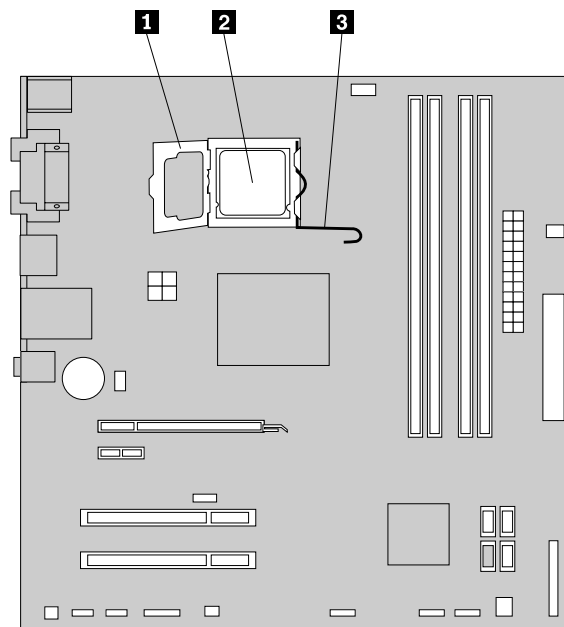
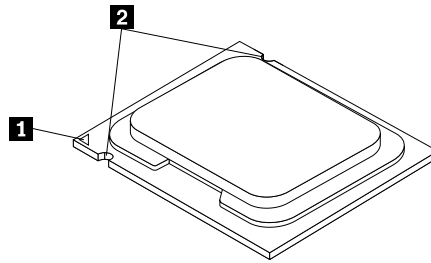


Figure 11. Accessing the microprocessor

8. Lift the microprocessor straight up and out of the socket.

**Notes:**

- a. Your microprocessor and socket might look different from the one illustrated.
- b. Note the orientation of the microprocessor in the socket. You can either look for the small triangle **1** on one corner of the microprocessor or note the orientation of the notches **2** on the microprocessor. This is important when installing the new microprocessor on the system board.



- c. Touch only the sides of the microprocessor. Do not touch the gold contacts on the bottom.
- d. Do not drop anything onto the microprocessor socket while it is exposed. The socket pins must be kept as clean as possible.

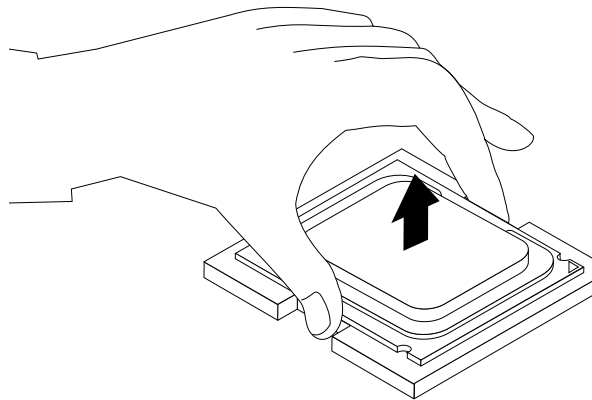
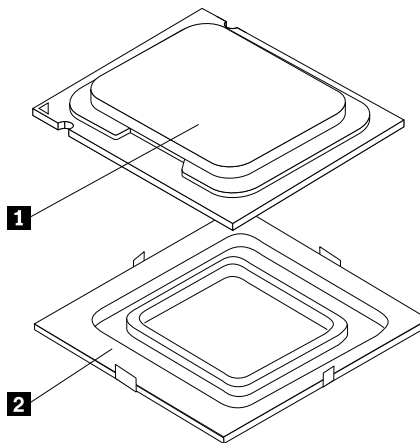


Figure 12. Removing the microprocessor

- 9. Make sure that the small handle is in the raised position and the microprocessor retainer is fully open.
- 10. Remove the protective cover **2** that protects the gold contacts on the new microprocessor **1**.



- 11. Hold the new microprocessor and align the notches on it with the tabs in the microprocessor socket, or align the small triangle on one corner with the corresponding beveled corner of the microprocessor socket.
- 12. Lower the new microprocessor straight down into the microprocessor socket on the system board.
- 13. Close the microprocessor retainer and lock it into position with the small handle to secure the new microprocessor in the socket.
- 14. Reinstall the heat sink and fan assembly. See “Replacing the heat sink and fan assembly” on page 80.

15. Reconnect the heat sink and fan assembly cable to the microprocessor fan connector on the system board.
16. Reinstall any other parts or reconnect any other cables you removed.
17. Go to “Completing the FRU replacement” on page 103.

---

## Replacing the system board

### Attention

Do not open your computer or attempt any repair before reading and understanding the “Important safety information” in the *ThinkCentre Safety and Warranty Guide* that came with your computer. To obtain a copy of the *ThinkCentre Safety and Warranty Guide*, go to:  
<http://www.lenovo.com/support>

This section provides instructions on how to replace the system board.

### CAUTION:

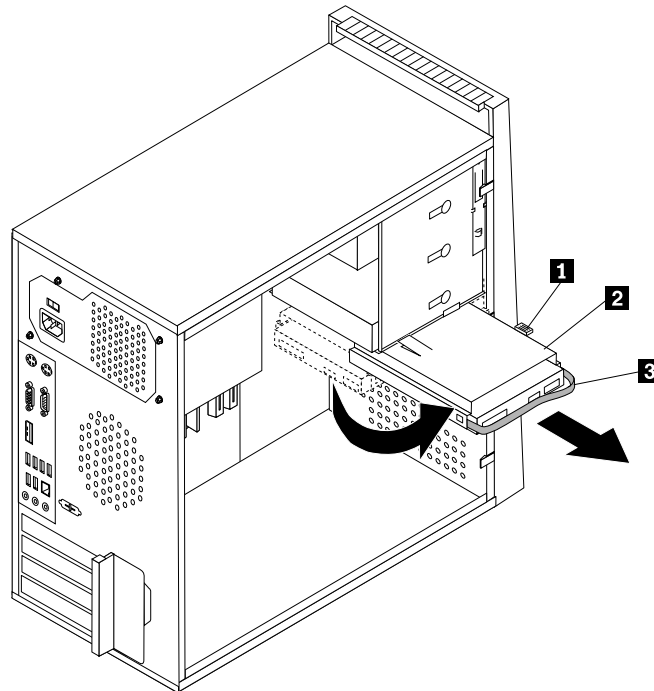


**The heat sink and microprocessor might be very hot. Turn off the computer and wait three to five minutes to let the computer cool before removing the computer cover.**

**Note:** When replacing the system board, you must also order a new retention module for the new system board. Make sure you have a retention module for the new system board before continuing this procedure.

To replace the system board:

1. Remove the computer cover. See “Removing the computer cover” on page 73.
2. Place the computer on the right side to make the system board more accessible.
3. Remove any adapter cards installed. See “Replacing an adapter card” on page 87.
4. Disconnect the signal and power cables from the hard disk drive.
5. Press the release tab **1** down, slide the hard drive cage **2** back, and pivot the hard disk drive outward as shown.



6. Carefully take note of the location of all cable connections on the system board and disconnect all cables. See “Locating parts on the system board” on page 76.
7. Remove the screws that secure the system board to the chassis.
8. Lift the system board out of the chassis.
9. Remove the memory modules from the failing system board and install them in the same location on the new system board. See “Replacing a memory module” on page 78.
10. Remove the heat sink and fan assembly from the failing system board. See “Replacing the heat sink and fan assembly” on page 80.
11. Remove the retention module from the rear of the failing system board and install it in the same position on the new system board.
12. Remove the microprocessor from the failing system board and install it on the new system board. See “Replacing the microprocessor” on page 81.
13. Reinstall the heat sink and fan assembly. See “Replacing the heat sink and fan assembly” on page 80. And connect the heat sink and fan assembly cable to the system board. See “Locating parts on the system board” on page 76.
14. Install the new system board into the chassis and align the screw holes with those in the chassis. Insert and tighten the screws that secure the system board.
15. Pivot the hard disk drive back into position.
16. Reconnect the power and signal cables to the hard disk drive.
17. Reconnect all remaining cables to the system board. See “Locating parts on the system board” on page 76.
18. Go to “Completing the FRU replacement” on page 103.

The failing system board must be returned with a microprocessor socket cover to protect the pins during shipping and handling.

To install the microprocessor socket cover:

1. Remove the microprocessor from the microprocessor socket. See “Replacing the microprocessor” on page 81.
2. Close the microprocessor retainer and lock it into position with the small handle.
3. Insert the tabs **1** of the socket cover into the hinged side of the socket, and then press the other side of the socket cover downward until the tabs **2** snap into position.

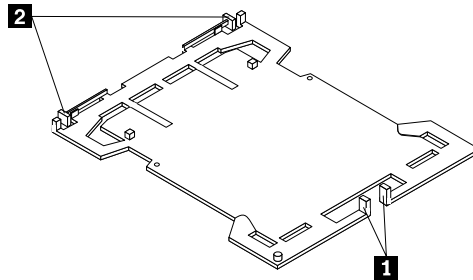


Figure 13. Tabs on the microprocessor socket cover (bottom view)

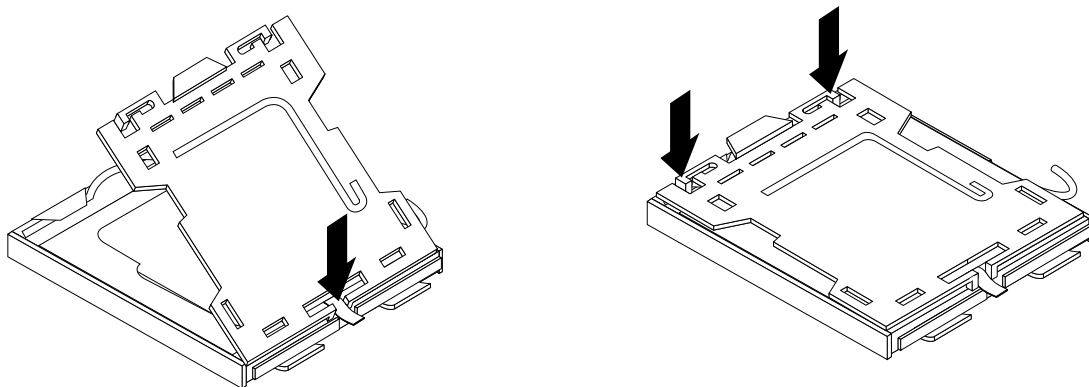


Figure 14. Installing the microprocessor socket cover

---

## Replacing the battery

### Attention

Do not open your computer or attempt any repair before reading and understanding the “Important safety information” in the *ThinkCentre Safety and Warranty Guide* that came with your computer. To obtain a copy of the *ThinkCentre Safety and Warranty Guide*, go to:  
<http://www.lenovo.com/support>

This section provides instructions on how to replace the battery.

Your computer has a special type of memory that maintains the date, time, and settings for built-in features, such as parallel-port assignments (configuration). A battery keeps this information active when you turn off the computer.

The battery normally requires no charging or maintenance throughout its life; however, no battery lasts forever. If the battery fails, the date, time, and configuration information (including passwords) are lost. An error message is displayed when you turn on the computer.

Refer to the “Lithium battery notice” in the *ThinkCentre Safety and Warranty Guide* for information about replacing and disposing of the battery.

To replace the battery:

1. Remove the computer cover. See “Removing the computer cover” on page 73.
2. Locate the battery. See “Locating parts on the system board” on page 76.
3. Remove the old battery.

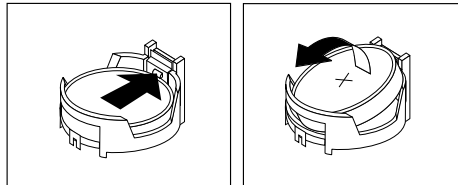


Figure 15. Removing the old battery

4. Install a new battery.

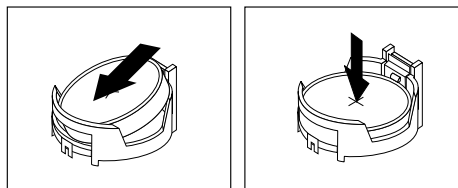


Figure 16. Installing a new battery

5. Replace the computer cover and connect the cables. See “Completing the FRU replacement” on page 103.

**Note:** When the computer is turned on for the first time after battery replacement, an error message might be displayed. This is normal after replacing the battery.

6. Turn on the computer and all attached devices.
7. Use the Setup Utility program to set the date and time and any passwords, see Chapter 6 “Using the Setup Utility” on page 43.

---

## Replacing an adapter card

### Attention

Do not open your computer or attempt any repair before reading and understanding the “Important safety information” in the *ThinkCentre Safety and Warranty Guide* that came with your computer. To obtain a copy of the *ThinkCentre Safety and Warranty Guide*, go to:  
<http://www.lenovo.com/support>

This section provides instructions on how to replace an adapter card.

To replace an adapter card:

1. Remove the computer cover. See “Removing the computer cover” on page 73.

2. At the rear of the computer, press the release button **1** to open the adapter latch **2** and remove the adapter card by pulling it straight out of the adapter card slot.

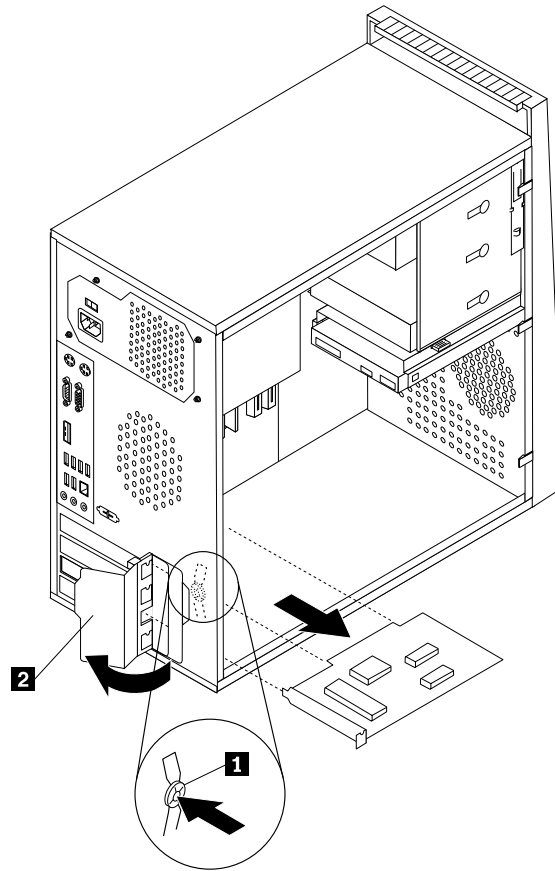
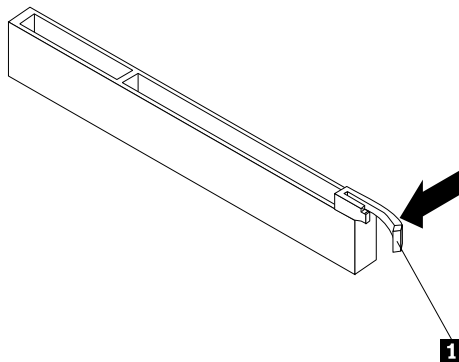


Figure 17. Removing the adapter card

**Notes:**

- a. The adapter card fits tightly into the card slot. If necessary, alternate moving each side of the adapter card a small amount until it is removed from the adapter card slot.
- b. If the adapter card is held in place by a retaining latch, press the adapter card retaining latch **1** downwards to disengage the latch. Grasp the adapter card and then gently pull the adapter card out of the slot.



3. Remove the new adapter from its static-protective package.



4. Install the new adapter card into the same adapter card slot.

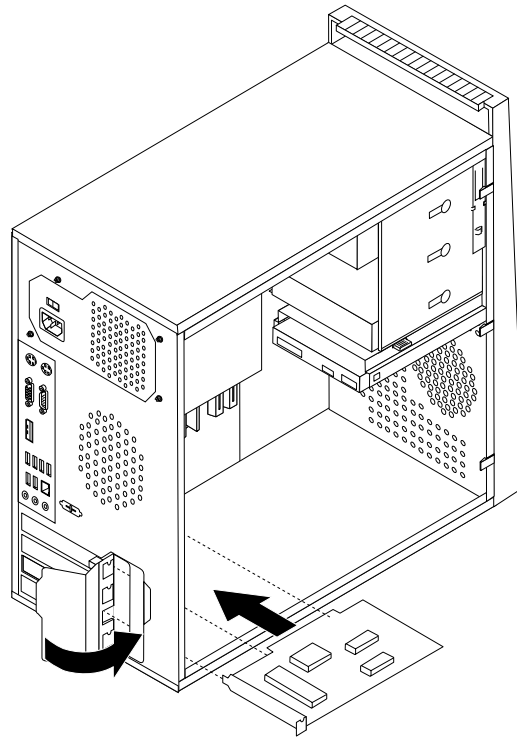


Figure 18. Install a new adapter card

5. Ensure the adapter card is fully seated into the adapter card slot.
6. At the rear of the computer, pivot the adapter latch to the closed position to secure the adapter card.
7. Go to “Completing the FRU replacement” on page 103.

---

## Replacing the primary hard disk drive

### Attention

Do not open your computer or attempt any repair before reading and understanding the “Important safety information” in the *ThinkCentre Safety and Warranty Guide* that came with your computer. To obtain a copy of the *ThinkCentre Safety and Warranty Guide*, go to:  
<http://www.lenovo.com/support>

This section provides instructions on how to replace the primary hard disk drive if your computer has one. For computer models that do not have an internal hard disk drive and use a remote hard disk drive accessed through the SMC - Storage Array, contact your network or storage administrator.

### Important

When you receive a new hard disk drive, you also receive a set of *Product Recovery discs*. The set of *Product Recovery discs* enables you to restore the contents of the hard disk drive to the factory-installed state. For more information on recovering factory-installed software, refer to “Recovering software” in your *ThinkCentre User Guide*.

To replace the primary hard disk drive:

1. Remove the computer cover. See “Removing the computer cover” on page 73.
2. Locate the primary hard disk drive.
3. Disconnect the signal and power cables from the hard disk drive.
4. Press the blue release tab **1** down, slide the hard disk drive cage **2** back, and pivot it outward.

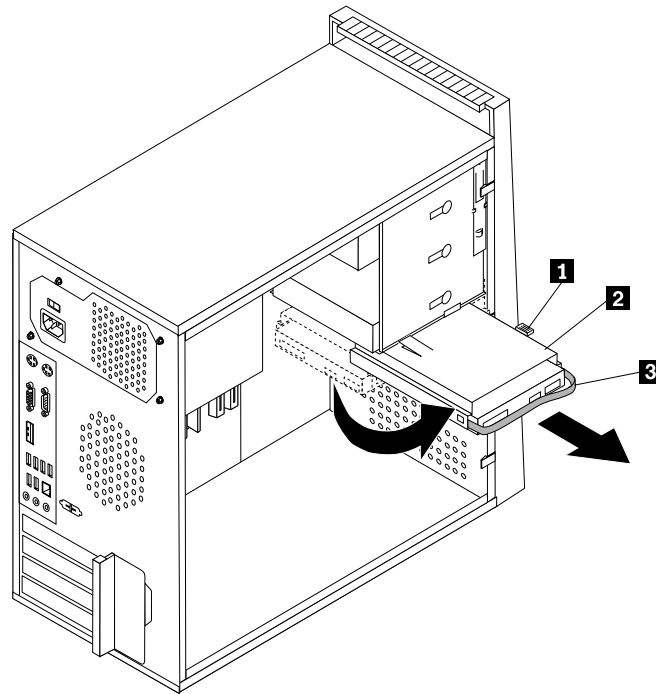


Figure 19. Removing the primary hard disk drive

5. Remove the hard disk drive cage from the chassis by simply sliding it outward.
6. Pull on the blue handle **3** to release and remove the hard disk drive from the drive cage.
7. Remove the hard disk drive from the blue plastic bracket by flexing the sides of the bracket enough to slide it free of the hard disk drive.
8. To install the new hard disk drive into the blue bracket, flex the bracket and align pin **1**, pin **2**, pin **3**, and pin **4** on the bracket with the holes in the hard disk drive. Do not touch the circuit board **5** on the bottom of the hard disk drive.

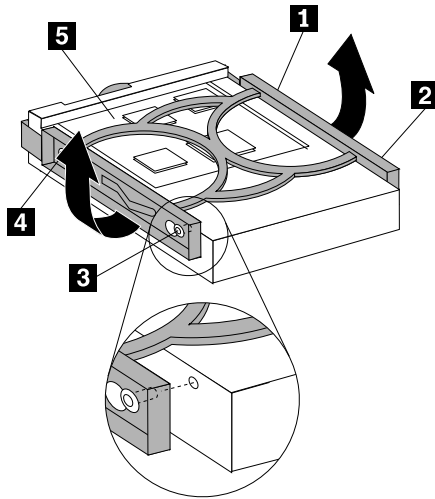


Figure 20. Installing the primary hard disk drive into bracket

9. Slide the new hard disk drive into the drive cage until it snaps into position.
10. Align the drive cage pivot pin with the slot **1** in the upper drive cage and slide the hard disk drive cage into the chassis.
11. Connect the signal and power cables to the rear of the new hard disk drive.
12. Press down on the metal latch **2**, pivot the drive cage into place, and then slide it forward until it snaps into position.

**Note:** There are two arrows, one on the upper drive cage and one on the hard disk drive cage. The arrows are aligned when the hard disk drive is in the proper position.

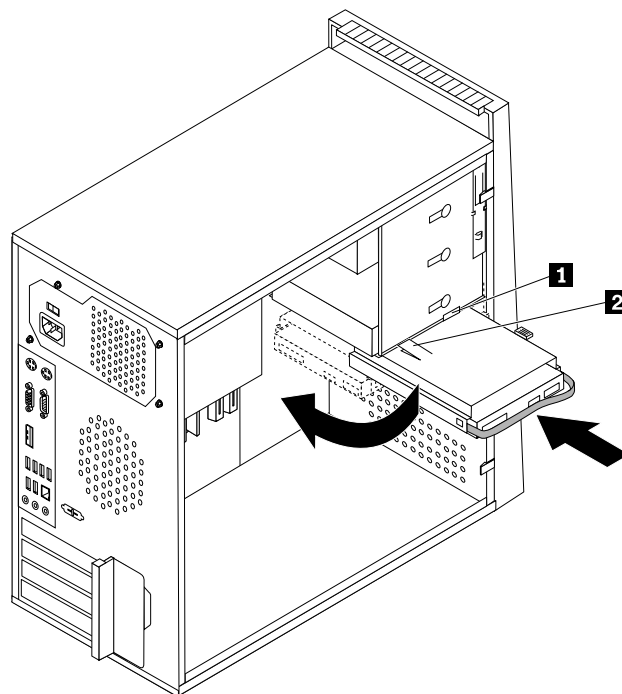


Figure 21. Installing the primary hard disk drive and bracket

13. Go to “Completing the FRU replacement” on page 103.

---

## Replacing the secondary hard disk drive

### Attention

Do not open your computer or attempt any repair before reading and understanding the “Important safety information” in the *ThinkCentre Safety and Warranty Guide* that came with your computer. To obtain a copy of the *ThinkCentre Safety and Warranty Guide*, go to:  
<http://www.lenovo.com/support>

**Note:** Depending on your model type, your computer might come with a secondary hard disk drive bay for installing or replacing a secondary hard disk drive. For computer models that do not have an internal hard disk drive and use a remote hard disk drive accessed through the SMC - Storage Array, contact your network or storage administrator.

This section provides instructions on how to replace the secondary hard disk drive.

### Important

When you receive a new hard disk drive, you also receive a set of *Product Recovery discs*. The set of *Product Recovery discs* enables you to restore the contents of the hard disk drive to the factory-installed state. For more information on recovering factory-installed software, refer to “Recovering software” in your *ThinkCentre User Guide*.

To replace the secondary hard disk drive:

1. Remove the computer cover. See “Removing the computer cover” on page 73.
2. Locate the secondary hard disk drive.
3. Disconnect the signal and power cables from the hard disk drive.
4. Press the blue release button to release the hard disk drive cage from the chassis.

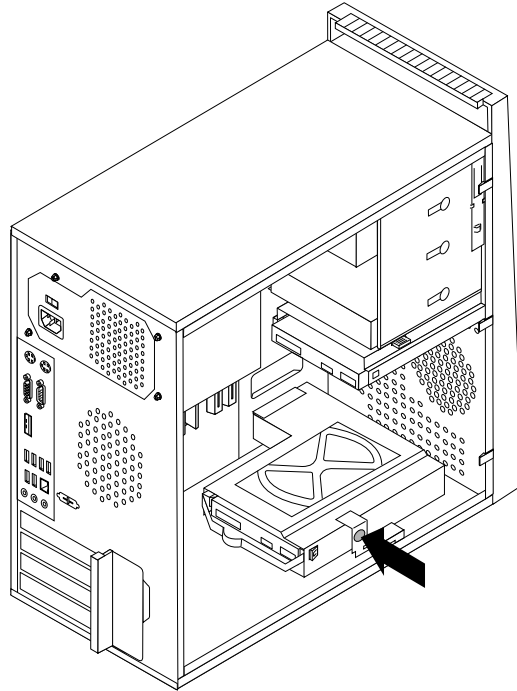


Figure 22. Removing secondary hard disk drive

5. Remove the hard disk drive cage from the chassis by simply sliding it outward.
6. Pull on the blue handle to release and remove the hard disk drive from the hard disk drive cage.
7. Remove the hard disk drive from the blue plastic bracket by flexing the sides of the bracket enough to slide it free of the hard disk drive.
8. To install the new hard disk drive into the blue bracket, flex the bracket and align pin **1**, pin **2**, pin **3**, and pin **4** on the bracket with the holes in the hard disk drive. Do not touch the circuit board **5** on the bottom of the hard disk drive.

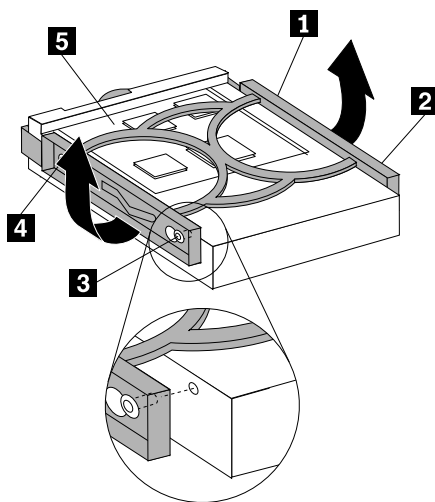


Figure 23. Installing the secondary hard disk drive into bracket

9. Slide the new hard disk drive into the hard disk drive cage until it snaps into position.
10. Install the hard disk drive cage into the chassis until it snaps into position underneath the metal tab. Make sure that the hard disk drive cage is secure in the chassis.

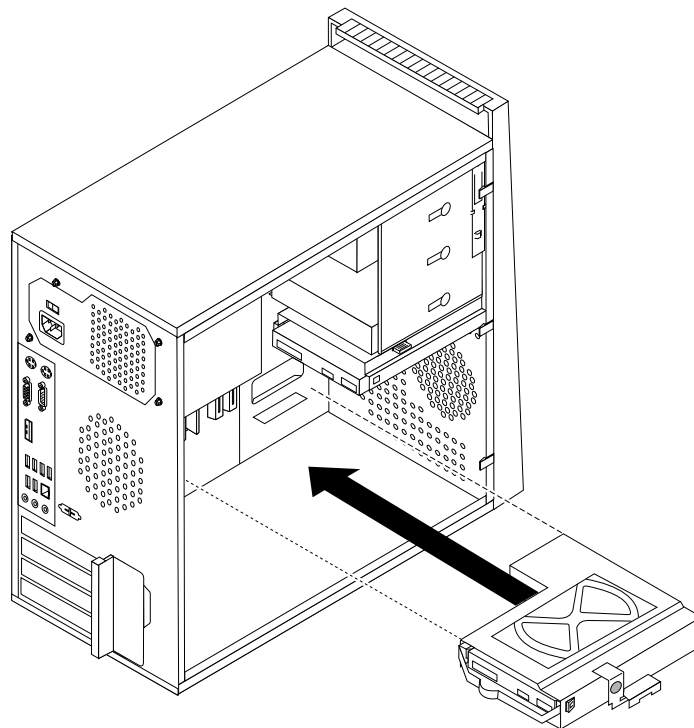


Figure 24. Installing the secondary hard disk drive and drive cage

11. Connect the signal and power cables to the rear of the new hard disk drive.
12. Go to “Completing the FRU replacement” on page 103.

---

## Replacing the optical drive

### Attention

Do not open your computer or attempt any repair before reading and understanding the “Important safety information” in the *ThinkCentre Safety and Warranty Guide* that came with your computer. To obtain a copy of the *ThinkCentre Safety and Warranty Guide*, go to:  
<http://www.lenovo.com/support>

This section provides instructions on how to replace the optical drive.

To replace the optical drive:

1. Remove the computer cover. See “Removing the computer cover” on page 73.
2. Disconnect the signal and power cables from the rear of the optical drive.
3. Press the blue release button and remove the optical drive out the front of the computer.

**Note:** There is a spare retainer bracket **1** attached to the side of the upper drive cage.

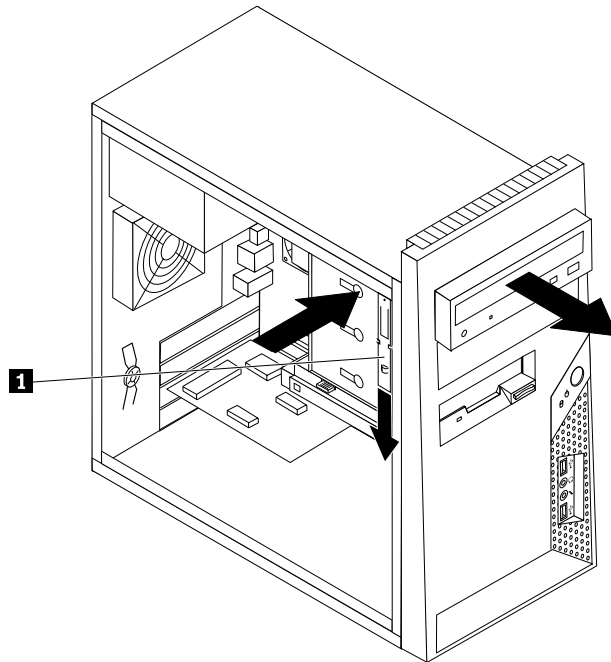


Figure 25. Removing the optical drive

4. Remove the retainer bracket from the drive being replaced and install it on the new drive.

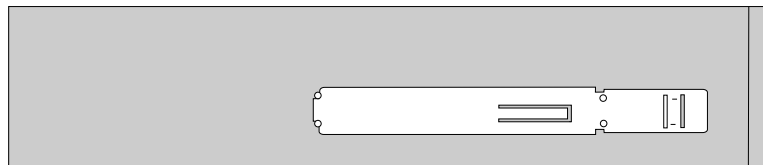


Figure 26. Retainer bracket for optical drive

5. Slide the new optical drive into the bay from the front until it snaps into position.
6. Connect the signal and power cables to the drive.
7. Go to “Completing the FRU replacement” on page 103.

---

## Replacing the diskette drive

### Attention

Do not open your computer or attempt any repair before reading and understanding the “Important safety information” in the *ThinkCentre Safety and Warranty Guide* that came with your computer. To obtain a copy of the *ThinkCentre Safety and Warranty Guide*, go to:  
<http://www.lenovo.com/support>

This section provides instructions on how to replace the diskette drive.

To replace the diskette drive:

1. Remove the computer cover. See “Removing the computer cover” on page 73.

2. Remove the front bezel. See “Removing and reinstalling the front bezel” on page 77.
3. Disconnect the signal and power cables from the rear of the diskette drive.
4. Press the release button and slide the diskette drive out the front of the computer.

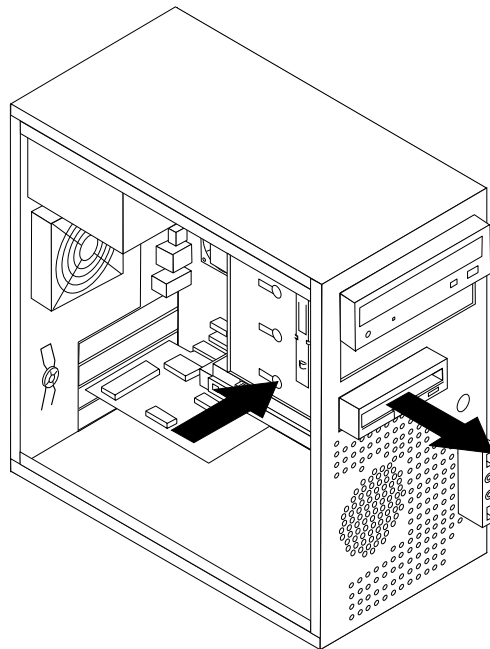


Figure 27. Removing the diskette drive

5. Remove the retainer bracket from the failing diskette drive and install it on the new diskette drive.

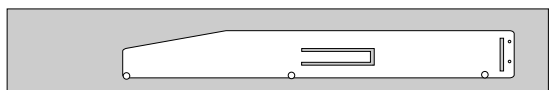


Figure 28. Retainer bracket for diskette drive

6. Slide the new diskette drive into the drive bay until it snaps into position.
7. Connect the flat cable to the new diskette drive.
8. Replace the front bezel.
9. Go to “Completing the FRU replacement” on page 103.

---

## Replacing the front fan assembly

### Attention

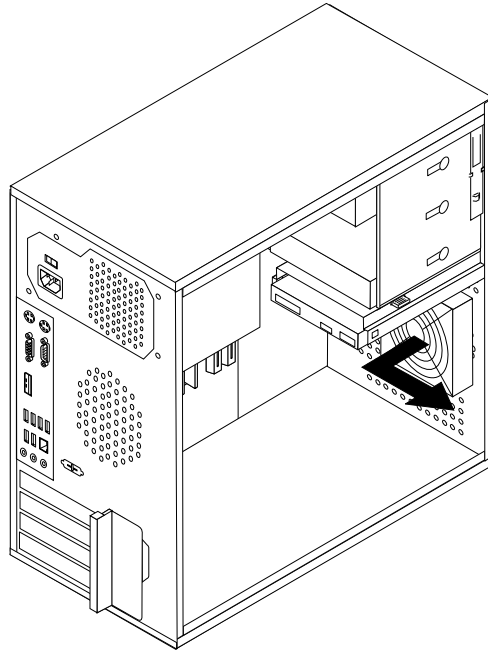
Do not open your computer or attempt any repair before reading and understanding the “Important safety information” in the *ThinkCentre Safety and Warranty Guide* that came with your computer. To obtain a copy of the *ThinkCentre Safety and Warranty Guide*, go to:  
<http://www.lenovo.com/support>

This section provides instructions on how to replace the front fan assembly.



To replace the front fan assembly:

1. Remove the computer cover. See “Removing the computer cover” on page 73.
2. Remove the front bezel. See “Removing and reinstalling the front bezel” on page 77.
3. Disconnect the front fan assembly cable from the power fan connector on the system board. See “Locating parts on the system board” on page 76.
4. The front fan assembly is attached to the chassis by four rubber mounts. Remove the front fan assembly by breaking or cutting the rubber mounts and gently pulling the front fan assembly out of the chassis.



*Figure 29. Removing the front fan assembly*

5. Install the new front fan assembly by aligning the new rubber mounts of the new front fan assembly with the holes on the chassis and push the rubber mounts through the holes.

**Note:** The new front fan assembly you received will have four new rubber mounts attached.

6. Pull on the tips of the rubber mounts until the fan assembly is in place.

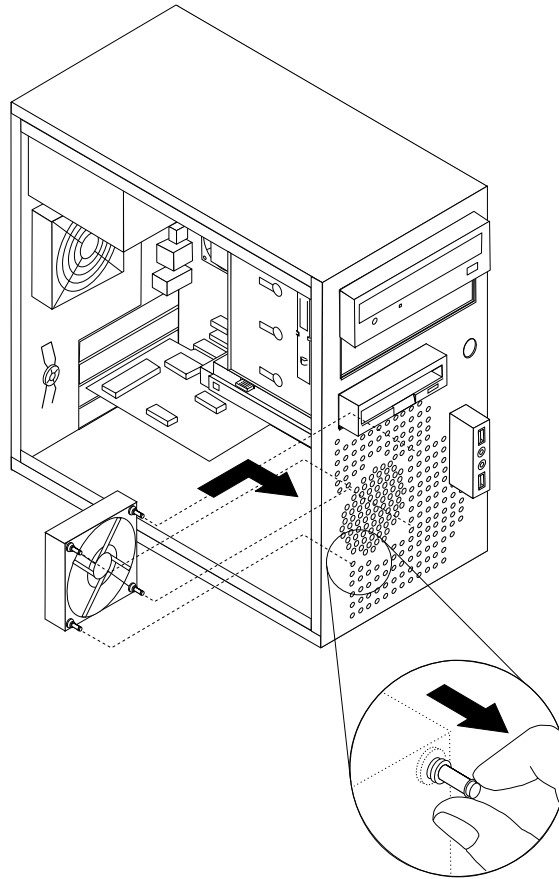


Figure 30. Installing the front fan assembly

7. Connect the front fan assembly cable to the power fan connector on the system board.
8. Go to “Completing the FRU replacement” on page 103.

---

## Replacing the rear fan assembly

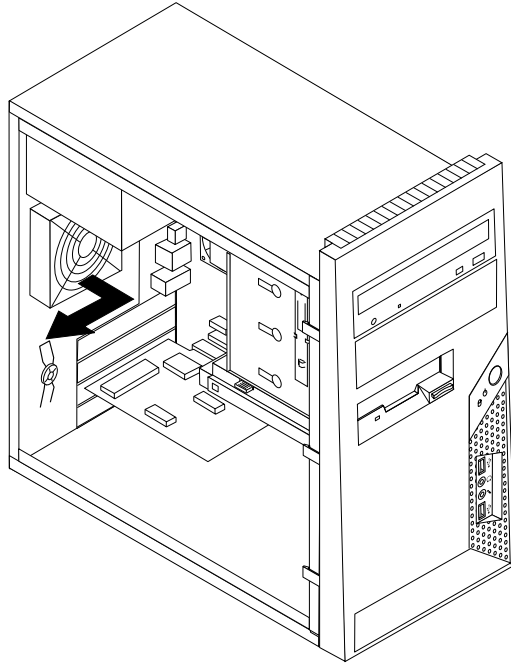
### Attention

Do not open your computer or attempt any repair before reading and understanding the “Important safety information” in the *ThinkCentre Safety and Warranty Guide* that came with your computer. To obtain a copy of the *ThinkCentre Safety and Warranty Guide*, go to:  
<http://www.lenovo.com/support>

This section provides instructions on how to replace the rear fan assembly.

To replace the rear fan assembly:

1. Remove the computer cover. See “Removing the computer cover” on page 73.
2. Locate the rear fan assembly. See “Locating components” on page 75.
3. Disconnect the rear fan assembly cable from the system fan connector on the system board. See “Locating parts on the system board” on page 76.
4. The rear fan assembly is attached to the chassis by four rubber mounts. Remove the rear fan assembly by breaking or cutting the rubber mounts and gently pulling the rear fan assembly out of the chassis.



*Figure 31. Removing the rear fan assembly*

5. Install the new rear fan assembly by aligning the new rubber mounts of the new rear fan assembly with the holes on the chassis and push the rubber mounts through the holes.

**Note:** The new rear fan assembly you received will have four new rubber mounts attached.

6. Pull on the tips of the rubber mounts until the fan assembly is in place.

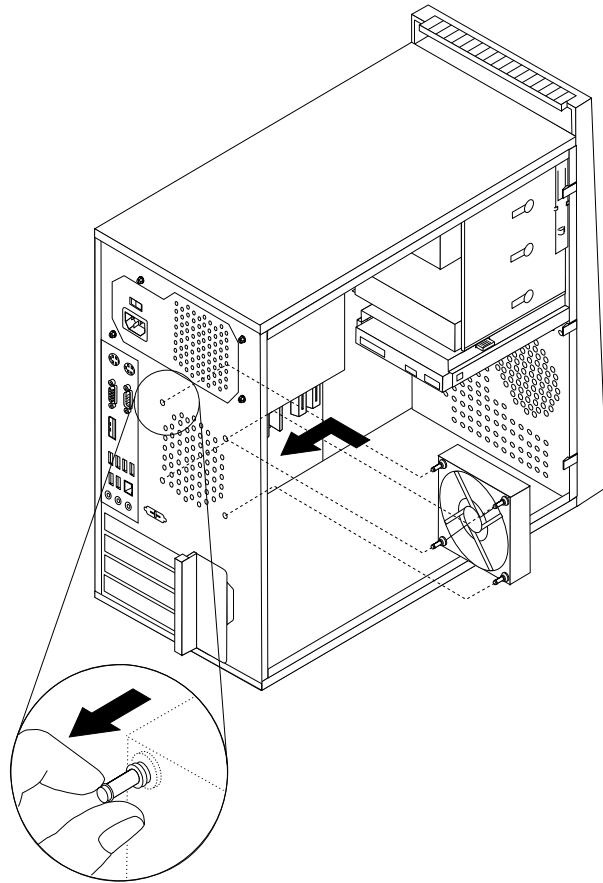


Figure 32. Replacing the rear fan assembly

7. Connect the rear fan assembly cable to the system fan connector on the system board.
8. Go to “Completing the FRU replacement” on page 103.

---

## Replacing the front audio and USB assembly

### Attention

Do not open your computer or attempt any repair before reading and understanding the “Important safety information” in the *ThinkCentre Safety and Warranty Guide* that came with your computer. To obtain a copy of the *ThinkCentre Safety and Warranty Guide*, go to:  
<http://www.lenovo.com/support>

This section provides instructions on how to replace the front audio and USB assembly.

To replace the front audio and USB assembly:

1. Remove the computer cover. See “Removing the computer cover” on page 73.
2. Remove the front bezel. See “Removing and reinstalling the front bezel” on page 77.
3. Note the cable routing and disconnect the front audio and USB assembly cables from the system board. See “Locating parts on the system board” on page 76.
4. Remove the screw that secures the front audio and USB assembly to the chassis, and then remove the front audio and USB assembly.

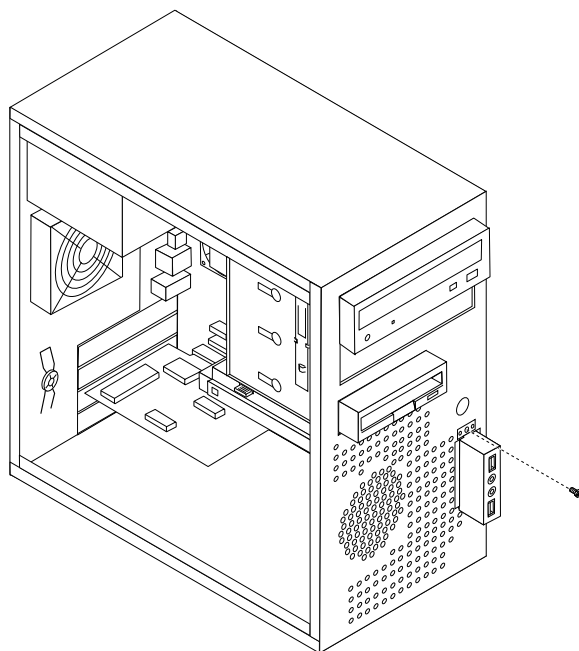


Figure 33. Removing the front audio and USB assembly

5. Install the new front audio and USB assembly into the chassis and secure it with the screw.
6. Connect the new front audio and USB assembly cables to the system board. See “Locating parts on the system board” on page 76.
7. Route the cables for the new front audio and USB assembly in the chassis.
8. Reinstall the front bezel.
9. Go to “Completing the FRU replacement” on page 103.

---

## Replacing the internal speaker

### Attention

Do not open your computer or attempt any repair before reading and understanding the “Important safety information” in the *ThinkCentre Safety and Warranty Guide* that came with your computer. To obtain a copy of the *ThinkCentre Safety and Warranty Guide*, go to:  
<http://www.lenovo.com/support>

This section provides instructions on how to replace the internal speaker.

To replace the internal speaker:

1. Remove the computer cover. See “Removing the computer cover” on page 73.
2. Locate the internal speaker connector on the system board. See “Locating parts on the system board” on page 76.
3. Disconnect the internal speaker cable from the system board.
4. Push the metal tab on the top of the internal speaker outward and slide the internal speaker upward to completely remove it from the chassis.

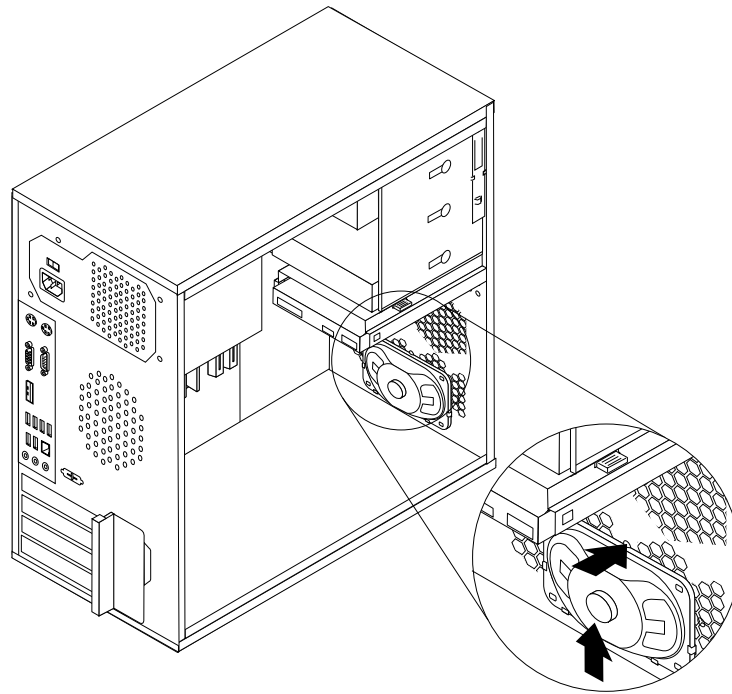


Figure 34. Removing the internal speaker

5. Position the new internal speaker into the metal clips and push downward on the new internal speaker until it snaps into position.

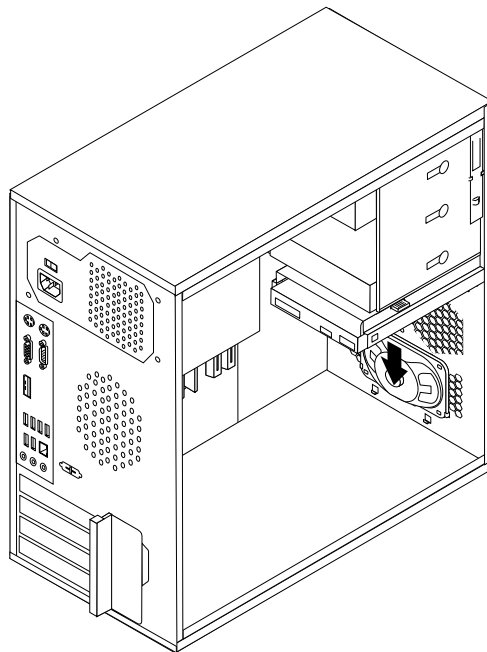


Figure 35. Replacing the internal speaker

6. Connect the cable of the new internal speaker to the system board. See “Locating parts on the system board” on page 76.

7. Go to “Completing the FRU replacement” on page 103.

---

## Completing the FRU replacement

After replacing the FRUs, you need to install any removed parts, reinstall the computer cover, and reconnect any cables, including telephone lines and power cords. Depending on the FRU that was replaced, you might need to confirm the updated information in the Setup Utility program, see Chapter 6 “Using the Setup Utility” on page 43.

**Note:** When the power cord is first plugged in, the computer might appear to turn on for a few seconds and then turn off. This is a normal sequence to enable the computer to initialize.

To reinstall the computer cover and connect cables to your computer:

1. Ensure that all components have been reassembled correctly and that no tools or loose screws are left inside your computer. See “Locating components” on page 75 for the location of various components.
2. Position the computer cover on the chassis so that the rail guides on the bottom of the computer cover engage the rails. Then, push the computer cover closed until it snaps into position.

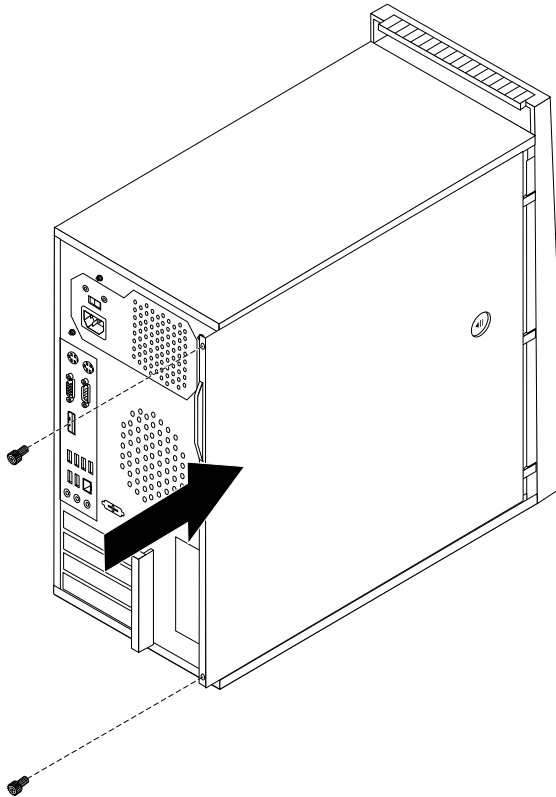


Figure 36. Replacing the computer cover

3. If the computer cover is secured with thumbscrews, install them.
4. If a computer cover lock is installed, lock the computer cover.
5. Reconnect the external cables and power cords to the computer. See “Locating connectors on the rear of the computer” on page 72.
6. If you have replaced the system board, you must update (flash) the BIOS. See “Updating (flashing) BIOS from a disc” on page 560.

7. Some FRU replacements require the configuration to be updated. To update your configuration, see Chapter 6 “Using the Setup Utility” on page 43.



---

## Chapter 9. Replacing FRUs (Machine Types: 3379, 4083, 4088, 4099, 4138, 5897, 6137, 6234, 6258, 6303, 7174, 7220, 7346, 7354, 7357, 7360, 7483, 7582, 7627, 7630, 7638, 8910, and 9964.)

### Important

Be sure to read and understand Chapter 2 “Safety information” on page 3 before you replace any FRU. These precautions and guidelines will help you work safely.

FRU replacements are to be done only by trained service technicians.

This chapter does not contain the remove or replace procedure for all FRUs. Only the major FRUs are documented.

---

### Locating connectors on the front of the computer

Front connector locations shows the location of the connectors on the front of the computer.

**Note:** Not all computer models have the following connectors.

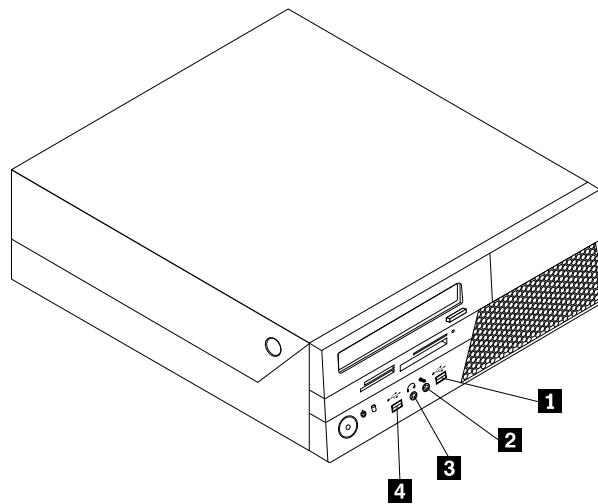


Figure 37. Front connector locations

**1** USB connector

**2** Microphone connector

**3** Headphone connector

**4** USB connector

## Locating connectors on the rear of the computer

Rear connector locations shows the location of connectors on the rear of the computer. Some connectors on the rear of the computer are color-coded to help you determine where to connect the cables on your computer.

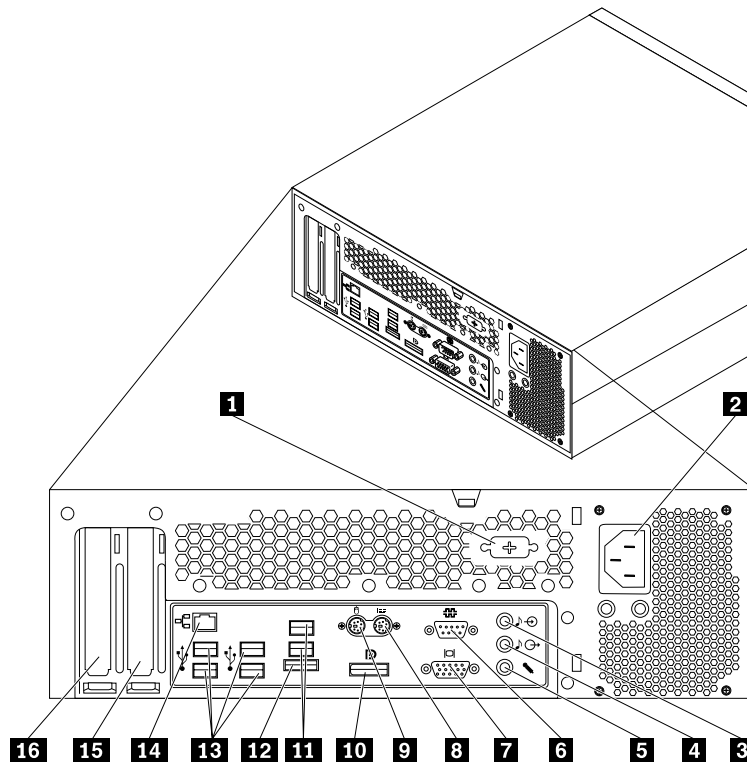


Figure 38. Rear connector locations

- |  |  |
|--|--|
| <b>1</b> Serial port (some models)                 | <b>9</b> Standard mouse connector (some models)      |
| <b>2</b> Power cord connector                      | <b>10</b> DisplayPort connector                      |
| <b>3</b> Audio line-in connector                   | <b>11</b> USB connectors (2)                         |
| <b>4</b> Audio line-out connector                  | <b>12</b> eSATA connector                            |
| <b>5</b> Microphone connector                      | <b>13</b> USB connectors (4)                         |
| <b>6</b> Serial port                               | <b>14</b> Ethernet connector                         |
| <b>7</b> VGA monitor connector                     | <b>15</b> PCI Express x16 graphics adapter card slot |
| <b>8</b> Standard keyboard connector (some models) | <b>16</b> Adapter card slot                          |

## Opening the computer cover

### Attention

Do not open your computer or attempt any repair before reading and understanding the “Important safety information” in the *ThinkCentre Safety and Warranty Guide* that came with your computer. To obtain a copy of the *ThinkCentre Safety and Warranty Guide*, go to:  
<http://www.lenovo.com/support>

This section provides instructions on how to open the computer cover.

### CAUTION:



Turn off the computer and wait three to five minutes to let the computer cool before opening the computer cover.

To open the computer cover:

1. Remove any media from the drives, shut down your operating system, and turn off all attached devices and the computer.
2. Unplug all power cords from electrical outlets.
3. Disconnect the cables attached to the computer. This includes power cords, input/output (I/O) cables, and any other cables that are connected to the computer. See “Locating connectors on the front of the computer” on page 105 and “Locating connectors on the rear of the computer” on page 106.
4. Remove any locking devices, such as a cable lock that secures the computer cover.
5. Press the buttons on the sides of the computer and pivot the cover upward to open the computer.

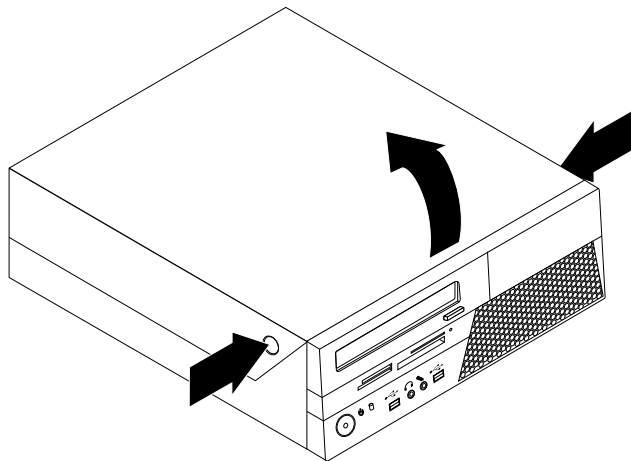


Figure 39. Opening the computer cover

## Accessing the system board components and drives

### Attention

Do not open your computer or attempt any repair before reading and understanding the “Important safety information” in the *ThinkCentre Safety and Warranty Guide* that came with your computer. To obtain a copy of the *ThinkCentre Safety and Warranty Guide*, go to:  
<http://www.lenovo.com/support>

This section provides instructions on how to access the system board components and drives.

To access the system board components and drives:

1. Open the computer cover. See “Opening the computer cover” on page 107.
2. On some models, you might need to pivot the drive bay assembly upward and remove the hard disk drive to access the internal components. See “Replacing the hard disk drive” on page 122.

**Note:** Make sure you note the location of any cables that you disconnect from the drives or the system board.

**Attention:** If your computer has an internal hard disk drive, you must return the hard disk drive to the latched position before closing the computer cover to prevent damage to the hard disk drive.

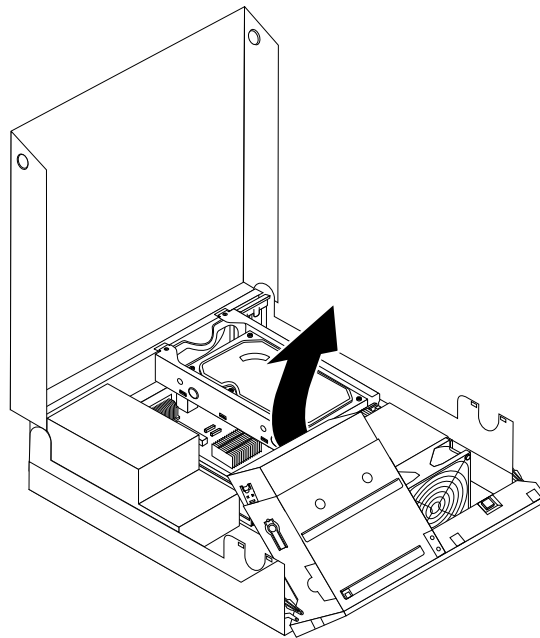


Figure 40. Pivoting the drive bay assembly

---

## Locating components

To open the computer cover, see “Opening the computer cover” on page 107.

Figure 41 “Component locations” on page 109 shows the location of the various components in your computer.

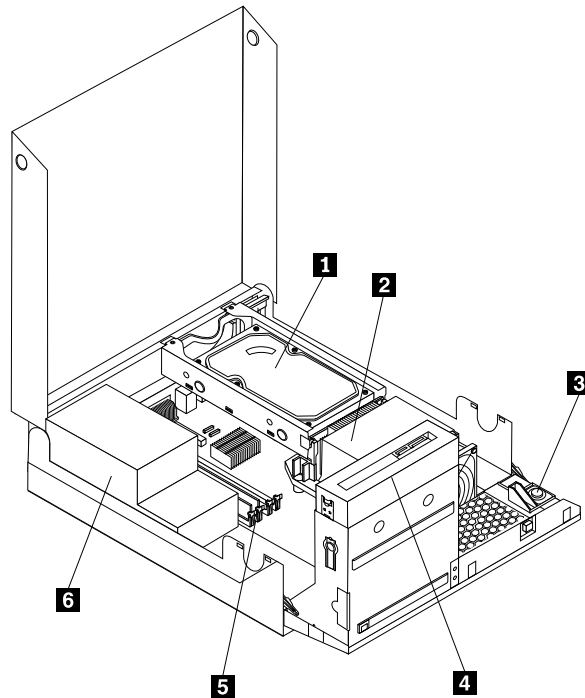


Figure 41. Component locations

- |   |                           |
|---|---------------------------|
| <b>1</b> Hard disk drive                            | <b>4</b> Optical drive    |
| <b>2</b> Microprocessor, heat sink and fan assembly | <b>5</b> Memory slots (4) |
| <b>3</b> Internal speaker                           | <b>6</b> Power supply     |

---

## Locating parts on the system board

Figure 42 “System board parts locations” on page 110 shows the location of parts on the system board.

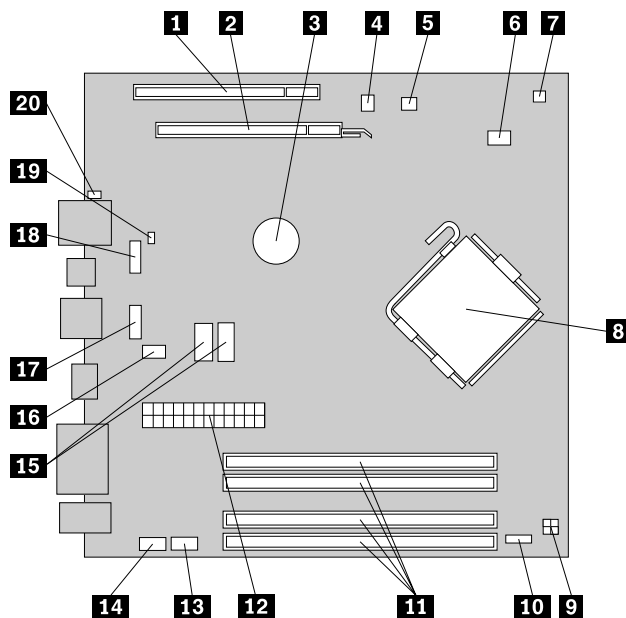


Figure 42. System board parts locations

- |  |                                      |
|--|--------------------------------------|
| <b>1</b> PCI adapter card slot                       | <b>11</b> Memory slots (4)           |
| <b>2</b> PCI Express x16 adapter card slot           | <b>12</b> 24-pin power connector     |
| <b>3</b> Battery                                     | <b>13</b> Serial (COM 2) connector   |
| <b>4</b> Internal speaker connector                  | <b>14</b> Front audio connector      |
| <b>5</b> Cover presence (Intrusion) switch connector | <b>15</b> SATA connectors (2)        |
| <b>6</b> Microprocessor fan connector                | <b>16</b> System fan connector       |
| <b>7</b> Thermal sensor connector                    | <b>17</b> Front USB connector 1      |
| <b>8</b> Microprocessor                              | <b>18</b> Front USB connector 2      |
| <b>9</b> 4-pin power connector                       | <b>19</b> Clear CMOS/Recovery jumper |
| <b>10</b> Front panel connector                      | <b>20</b> Power fan connector        |

---

## Replacing the battery

### Attention

Do not open your computer or attempt any repair before reading and understanding the “Important safety information” in the *ThinkCentre Safety and Warranty Guide* that came with your computer. To obtain a copy of the *ThinkCentre Safety and Warranty Guide*, go to:  
<http://www.lenovo.com/support>

This section provides instructions on how to replace the battery.

Your computer has a special type of memory that maintains the date, time, and settings for built-in features, such as parallel-port assignments (configuration). A battery keeps this information active when you turn off the computer.

The battery normally requires no charging or maintenance throughout its life; however, no battery lasts forever. If the battery fails, the date, time, and configuration information (including passwords) are lost. An error message is displayed when you turn on the computer.

Refer to the “Lithium battery notice” in the *ThinkCentre Safety and Warranty Guide* for information about replacing and disposing of the battery.

To replace the battery:

1. Open the computer cover. See “Opening the computer cover” on page 107.
2. Access the system board. See “Accessing the system board components and drives” on page 108.
3. Locate the battery. See “Locating parts on the system board” on page 110.
4. Remove the old battery.

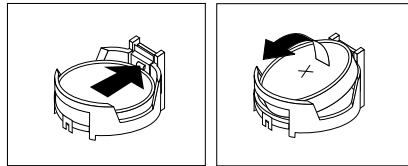


Figure 43. Removing the old battery

5. Install a new battery.

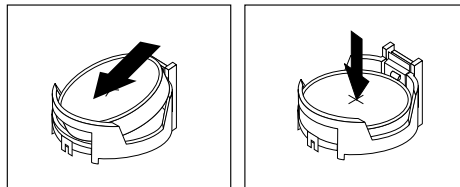


Figure 44. Installing a new battery

6. Close the computer cover and connect the cables. See “Completing the FRU replacement” on page 131.  
**Note:** When the computer is turned on for the first time after battery replacement, an error message might be displayed. This is normal after replacing the battery.
7. Turn on the computer and all attached devices.
8. Use the Setup Utility program to set the date, time, and any passwords, Chapter 6 “Using the Setup Utility” on page 43.

## Replacing a memory module

### Attention

Do not open your computer or attempt any repair before reading and understanding the “Important safety information” in the *ThinkCentre Safety and Warranty Guide* that came with your computer. To obtain a copy of the *ThinkCentre Safety and Warranty Guide*, go to:  
<http://www.lenovo.com/support>

This section provides instructions on how to replace a memory module. Your computer can support a maximum of four memory modules.

To replace a memory module:

1. Open the computer cover. See “Opening the computer cover” on page 107.
2. Pivot the drive bay assembly upward to gain access to the system board. See “Accessing the system board components and drives” on page 108.
3. Locate the memory slots. See “Locating parts on the system board” on page 110.
4. Remove the memory module being replaced by opening the retaining clips as shown.

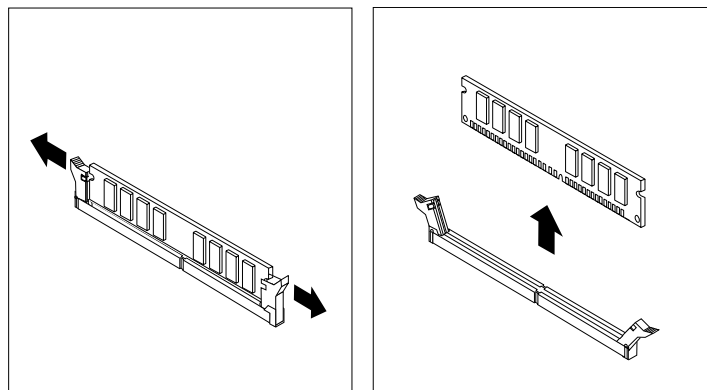


Figure 45. Removing the memory module

5. Position the replacement memory module over the memory slot. Make sure the notch **1** on the memory module aligns correctly with the slot key **2** on the system board. Push the memory module straight down into the slot until the retaining clips close.

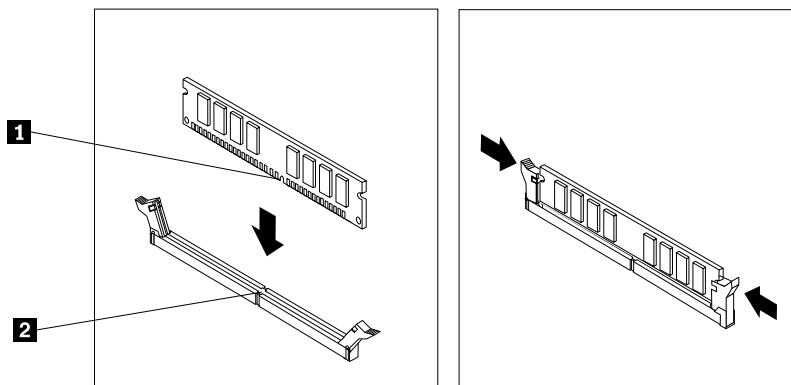




Figure 46. Installing the memory module

6. Go to “Completing the FRU replacement” on page 131.

---

## Replacing an adapter card

### Attention

Do not open your computer or attempt any repair before reading and understanding the “Important safety information” in the *ThinkCentre Safety and Warranty Guide* that came with your computer. To obtain a copy of the *ThinkCentre Safety and Warranty Guide*, go to:  
<http://www.lenovo.com/support>

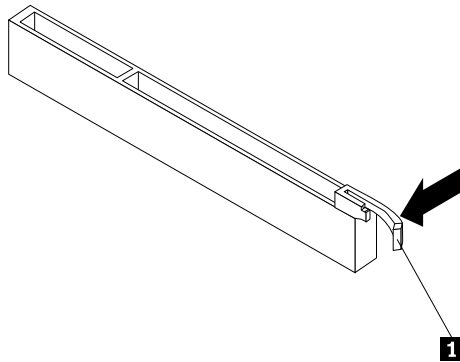
This section provides instructions on how to replace an adapter card.

To replace an adapter card:

1. Open the computer cover. See “Opening the computer cover” on page 107.
2. Rotate the adapter card retainer to the open position and then remove the old adapter card that is currently installed.

### Notes:

- a. The adapter card fits tightly into the adapter card slot. If necessary, alternate moving each side of the adapter card a small amount until it is removed from the slot.
- b. If the adapter card is held in place by a retaining latch, press the adapter card retaining latch **1** downwards to disengage the latch. Grasp the adapter card and then carefully pull the adapter card out of the slot.



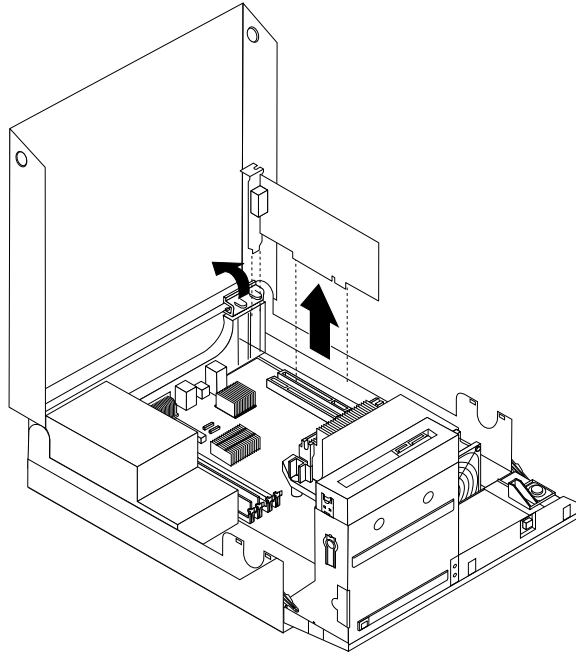


Figure 47. Removing the old adapter card

3. Remove the new adapter card from its static-protective package.
4. Install the new adapter card into the adapter card slot and ensure the adapter card is fully seated into the adapter card slot.

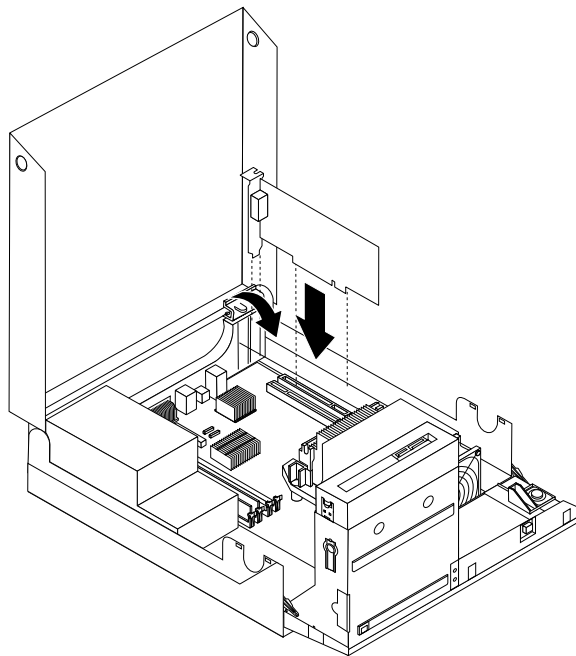


Figure 48. Installing an adapter card

5. Close the adapter card retainer.

6. Go to “Completing the FRU replacement” on page 131.

---

## Replacing the power supply

### Attention

Do not open your computer or attempt any repair before reading and understanding the “Important safety information” in the *ThinkCentre Safety and Warranty Guide* that came with your computer. To obtain a copy of the *ThinkCentre Safety and Warranty Guide*, go to:  
<http://www.lenovo.com/support>

This section provides instructions on how to replace the power supply.

### Attention

Never remove the cover on a power supply or any part that has the following label attached.



Hazardous voltage, current, and energy levels are present inside any component that has this label attached. There are no serviceable parts inside these components.

To replace the power supply:

1. Remove the four screws at the rear of the chassis that secure the power supply.

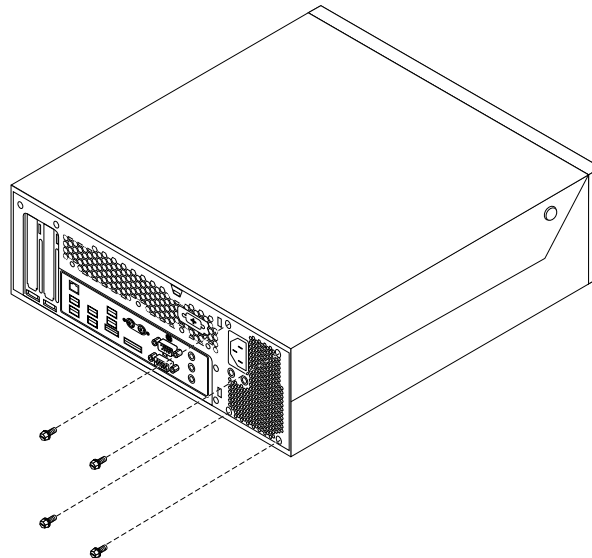


Figure 49. Power-supply-retaining screws

2. Open the computer cover. See “Opening the computer cover” on page 107.
3. Pivot the drive bay assembly upward to gain access to the power supply.
4. Locate the power supply. See “Locating components” on page 109.

5. Disconnect the power supply cables from the power connectors **1** and **2** and from all drives.

**Note:** You might need to remove the hard disk drive for easier access to the power connector **2**. See “Replacing the hard disk drive” on page 122.

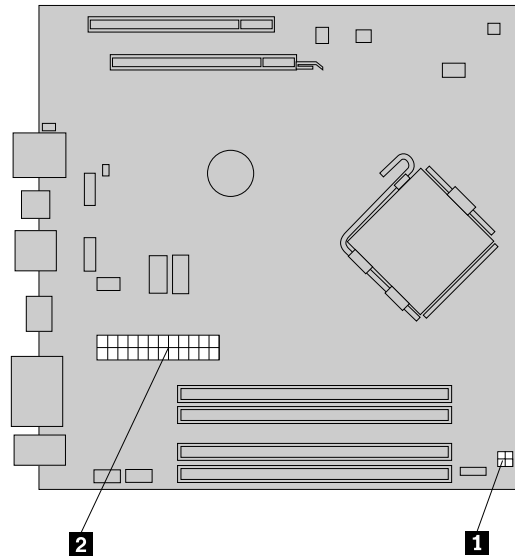


Figure 50. Power connectors on the system board

6. Remove the power supply cables from the cable clips and ties.
7. Slide the power supply away from the chassis and remove it from the computer.

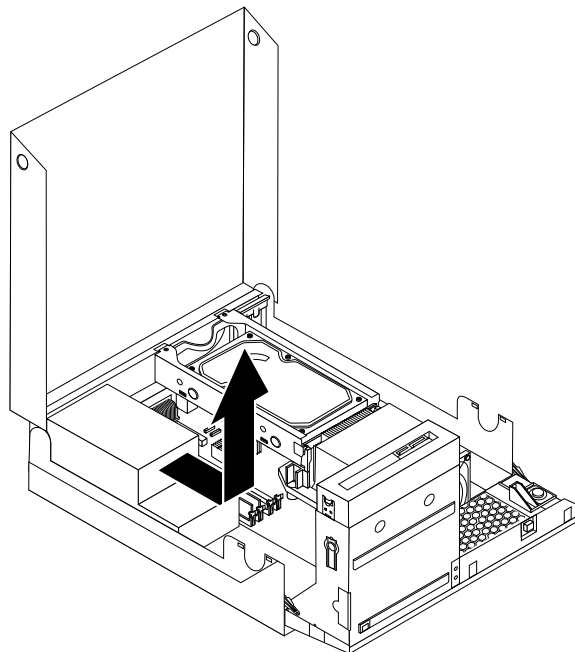


Figure 51. Removing the power supply

8. Install the new power supply into the chassis so that the screw holes in the power supply align with those in the chassis.

**Note:** Use only the screws provided by Lenovo.

9. Install and tighten the four screws at the rear of the chassis to secure the power supply.
10. Check the position of the voltage-selection switch on the rear of the computer. Use a ballpoint pen to slide the switch, if necessary.

**Note:** Some computers do not have a voltage-selection switch. These computers automatically control the voltage.

- If the voltage supply range is 100–127 V AC, set the switch to 115 V.
- If the voltage supply range is 200–240 V AC, set the switch to 230 V.

11. Reconnect all the power supply cables to the drives and the system board.
12. Go to “Completing the FRU replacement” on page 131.

---

## Replacing the heat sink and fan assembly

### Attention

Do not open your computer or attempt any repair before reading and understanding the “Important safety information” in the *ThinkCentre Safety and Warranty Guide* that came with your computer. To obtain a copy of the *ThinkCentre Safety and Warranty Guide*, go to:  
<http://www.lenovo.com/support>

This section provides instructions on how to replace the heat sink and fan assembly.

### CAUTION:



**The heat sink and fan assembly might be very hot. Turn off the computer and wait three to five minutes to let the computer cool before opening the computer cover.**

To replace the heat sink and fan assembly:

1. Open the computer cover. See “Opening the computer cover” on page 107.
2. Pivot the drive bay assembly upward to gain access to the heat sink and fan assembly. See “Accessing the system board components and drives” on page 108.
3. Disconnect the heat sink and fan assembly cable from the system board. See “Locating parts on the system board” on page 110.
4. Remove the heat sink and fan assembly from the system board by pivoting the lever **1** securing the heat sink and fan assembly until it is fully in the up position. Carefully lift the heat sink and fan assembly off the system board.

**Note:** It helps to remove the hard disk drive before this step. See “Replacing the hard disk drive” on page 122.

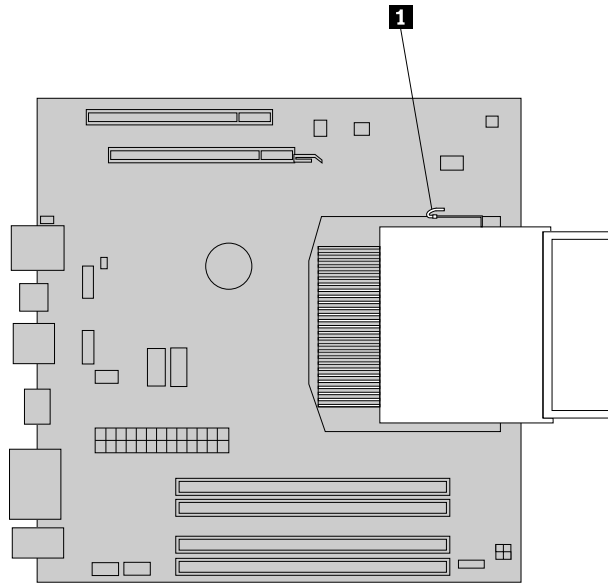


Figure 52. Removing the heat sink and fan assembly

5. Place the new heat sink and fan assembly into position and lower the lever to secure the heat sink and fan assembly.
6. Connect the heat sink and fan assembly cable to the microprocessor fan connector on the system board.
7. Go to “Completing the FRU replacement” on page 131.

---

## Replacing the microprocessor

### Attention

Do not open your computer or attempt any repair before reading and understanding the “Important safety information” in the *ThinkCentre Safety and Warranty Guide* that came with your computer. To obtain a copy of the *ThinkCentre Safety and Warranty Guide*, go to:  
<http://www.lenovo.com/support>

This section provides instructions on how to replace the microprocessor.

### CAUTION:



**The heat sink and microprocessor might be very hot. Turn off the computer and wait three to five minutes to let the computer cool before opening the computer cover.**

To replace the microprocessor:

1. Open the computer cover. See “Opening the computer cover” on page 107.
2. Pivot the drive bay assembly upward to gain access to the system board. See “Accessing the system board components and drives” on page 108.
3. Locate the heat sink and fan assembly and disconnect the heat sink and fan assembly cable from the microprocessor fan connector on the system board. See “Locating parts on the system board” on page 110.
4. Remove the heat sink and fan assembly. See “Replacing the heat sink and fan assembly” on page 117.

5. Place the heat sink and fan assembly on its side so that the thermal grease does not come in contact with anything.
6. Remove the hard disk drive. See “Replacing the hard disk drive” on page 122.
7. Lift the small handle **3** and open the retainer **1** to access the microprocessor **2**.

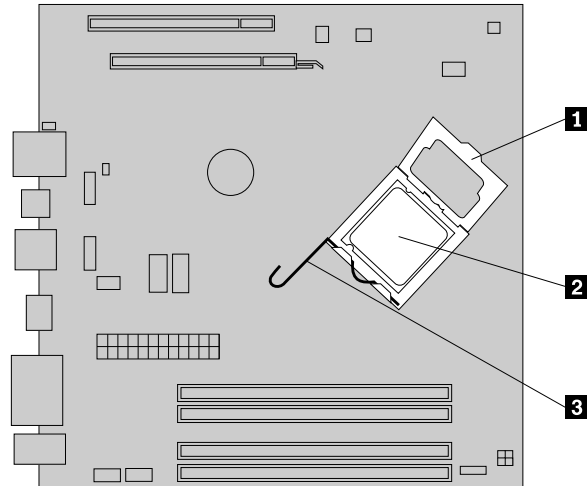
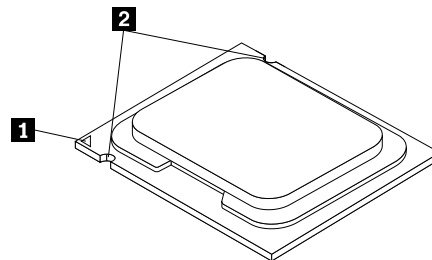


Figure 53. Accessing the microprocessor

8. Lift the microprocessor straight up and out of the socket.

**Notes:**

- a. Your microprocessor and socket might look different from the one illustrated.
- b. Note the orientation of the microprocessor in the socket. You can either look for the small triangle **1** on one corner of the microprocessor or note the orientation of the notches **2** on the microprocessor. This is important when installing the new microprocessor on the system board.



- c. Touch only the sides of the microprocessor. Do not touch the gold contacts on the bottom.
- d. Do not drop anything onto the microprocessor socket while it is exposed. The socket pins must be kept as clean as possible.

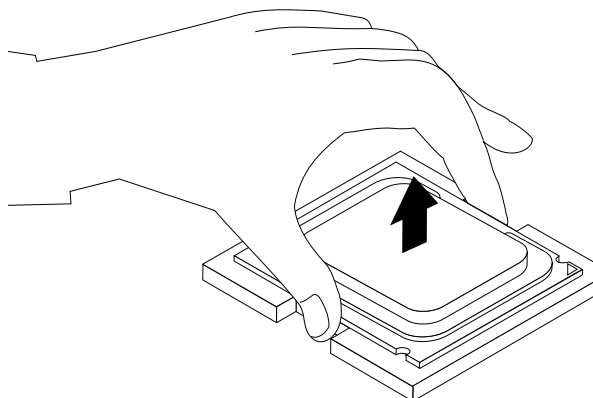
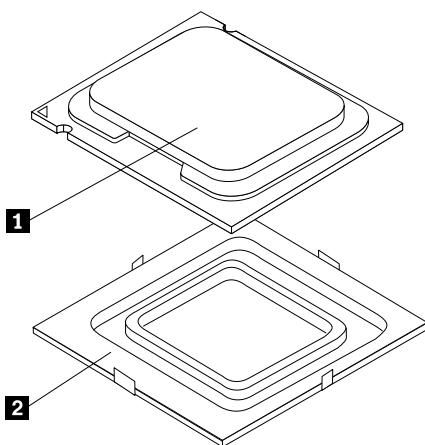


Figure 54. Removing the microprocessor

9. Make sure that the small handle is in the raised position and the microprocessor retainer is fully open.
10. Remove the protective cover **2** that protects the gold contacts on the new microprocessor **1**.



11. Hold the new microprocessor and align the notches on it with the tabs in the microprocessor socket, or align the small triangle on one corner with the corresponding beveled corner of the microprocessor socket.
12. Lower the new microprocessor straight down into the microprocessor socket on the system board.
13. Close the microprocessor retainer and lock it into position with the small handle to secure the new microprocessor in the socket.
14. Reinstall the heat sink and fan assembly. See “Replacing the heat sink and fan assembly” on page 117.
15. Reinstall the hard disk drive. See “Replacing the hard disk drive” on page 122.
16. Reconnect the heat sink and fan assembly cable to the microprocessor fan connector on the system board.
17. Go to “Completing the FRU replacement” on page 131.



---

## Replacing the system board

### Attention

Do not open your computer or attempt any repair before reading and understanding the “Important safety information” in the *ThinkCentre Safety and Warranty Guide* that came with your computer. To obtain a copy of the *ThinkCentre Safety and Warranty Guide*, go to:  
<http://www.lenovo.com/support>

This section provides instructions on how to replace the system board.

### CAUTION:



**The heat sink and microprocessor might be very hot. Turn off the computer and wait three to five minutes to let the computer cool before opening the computer cover.**

To replace the system board:

1. Open the computer cover. See “Opening the computer cover” on page 107.
2. Pivot the drive bay assembly upward to gain access to the system board. See “Accessing the system board components and drives” on page 108.
3. Remove the hard disk drive. See “Replacing the hard disk drive” on page 122.
4. Remove all memory modules and adapter cards that are currently installed. See “Replacing a memory module” on page 112 and “Replacing an adapter card” on page 113.
5. Carefully take note of the location of all cable connections on the system board and disconnect all the cables. See “Locating parts on the system board” on page 110.
6. Remove the heat sink and fan assembly from the failing system board. See “Replacing the heat sink and fan assembly” on page 117.
7. Carefully slide the system board so that it can be released from the four mounting studs that secure the system board in place.
8. Lift the system board out of the chassis.
9. Remove the microprocessor from the failing system board and install it on the new system board. See “Replacing the microprocessor” on page 118.
10. Install the new system board into the chassis by aligning the four mounting studs in the chassis with the corresponding holes on the new system board, and then carefully slide the new system board in to the chassis until it is secured in place by the four mounting studs.
11. Install all memory modules and adapter cards removed from the failing system board on the new system board.
12. Install the heat sink and fan assembly and connect the heat sink and fan assembly cable to the new system board. See “Replacing the heat sink and fan assembly” on page 117.
13. Reinstall the hard disk drive. See “Replacing the hard disk drive” on page 122.
14. Reconnect all remaining cables to the system board. See “Locating parts on the system board” on page 110.
15. Go to “Completing the FRU replacement” on page 131.

The failing system board must be returned with a microprocessor socket cover to protect the pins during shipping and handling.

To install the microprocessor socket cover:

1. Remove the microprocessor from the microprocessor socket. See “Replacing the microprocessor” on page 118.
2. Close the microprocessor retainer and lock it into position with the small handle.
3. Insert the tabs **1** of the socket cover into the hinged side of the socket, and then press the other side of the socket cover downward until the tabs **2** snap into position.

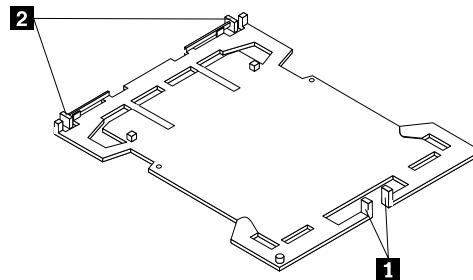


Figure 55. Tabs on the microprocessor socket cover (bottom view)

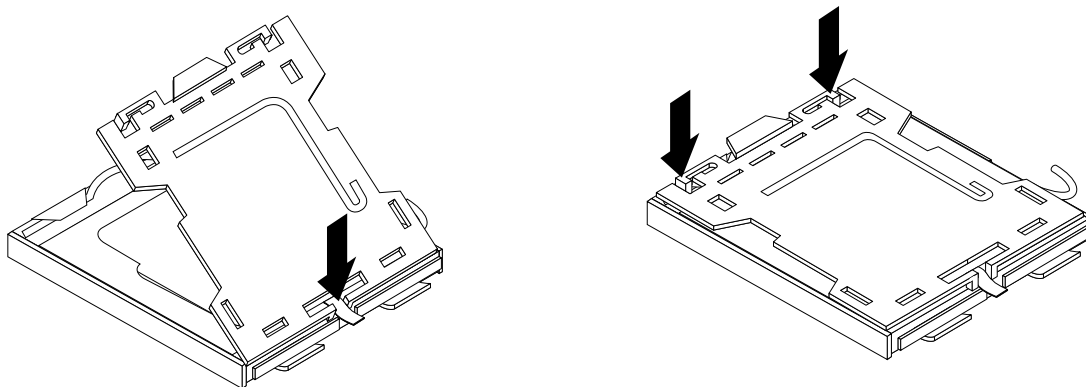


Figure 56. Installing the microprocessor socket cover

---

## Replacing the hard disk drive

### Attention

Do not open your computer or attempt any repair before reading and understanding the “Important safety information” in the *ThinkCentre Safety and Warranty Guide* that came with your computer. To obtain a copy of the *ThinkCentre Safety and Warranty Guide*, go to:  
<http://www.lenovo.com/support>

This section provides instructions on how to replace the hard disk drive if your computer has one. For computer models that do not have an internal hard disk drive and use a remote hard disk drive accessed through the SMC - Storage Array, contact your network or storage administrator.

### Important

When you receive a new hard disk drive, you also receive a set of *Product Recovery discs*. The set of *Product Recovery discs* will enable you to restore the contents of the hard disk drive to the same state as when your computer was originally shipped from the factory. For more information on recovering factory-installed software, refer to “Recovering software” in your *ThinkCentre User Guide*.

To replace the hard disk drive:

1. Open the computer cover. See “Opening the computer cover” on page 107.
2. You might need to pivot the drive bay assembly upward to gain easy access to the hard disk drive.
3. Locate the hard disk drive.
4. Push the blue handle of the hard disk drive bracket inwards to release the two clips **1** that secure the hard disk drive to the chassis. Rotate the hard disk drive upwards and lift up to remove the hard disk drive from the computer.

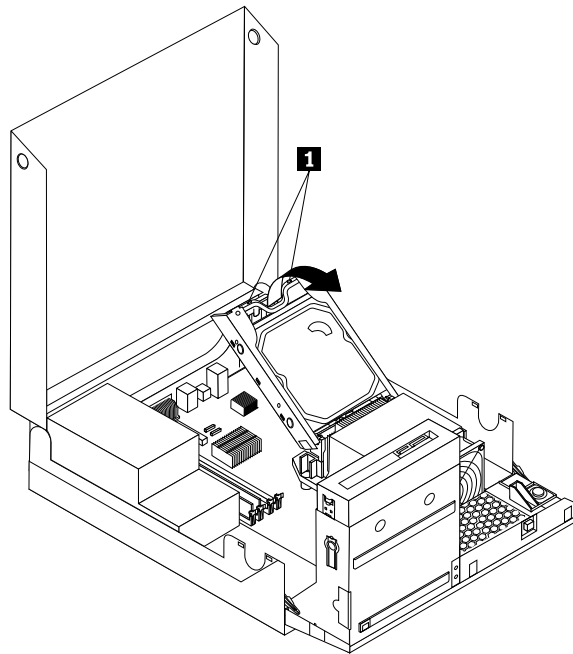


Figure 57. Removing the hard disk drive

5. Disconnect the signal and power cables from the hard disk drive.
6. Remove the failing hard disk drive from the bracket by flexing the bracket.
7. To install the new drive into the bracket, flex the bracket and align pin **1**, pin **2**, pin **3**, and pin **4** on the bracket with the holes in the hard disk drive.

### **Important**

Do not touch the circuit board on the bottom of the hard disk drive.

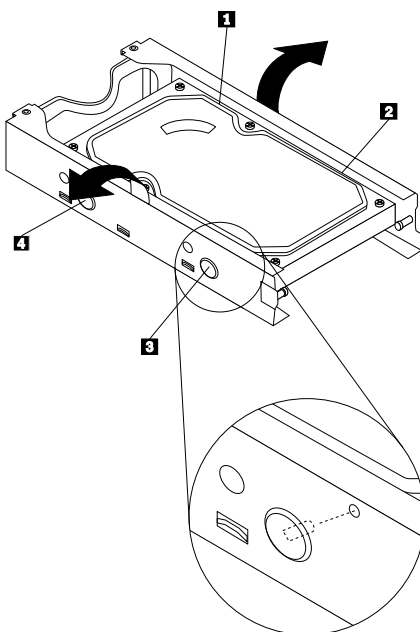


Figure 58. Removing the hard disk drive from the bracket

8. Connect the signal and power cables to the new hard disk drive.
9. Install the hard disk drive and bracket into the rear retainer and rotate down until the two clips on the blue handle of the hard disk drive bracket snap into place.
10. Go to “Completing the FRU replacement” on page 131.

---

## Replacing the optical drive

### Attention

Do not open your computer or attempt any repair before reading and understanding the “Important safety information” in the *ThinkCentre Safety and Warranty Guide* that came with your computer. To obtain a copy of the *ThinkCentre Safety and Warranty Guide*, go to:  
<http://www.lenovo.com/support>

This section provides instructions on how to replace the optical drive.

To replace the optical drive:

1. Open the computer cover. See “Opening the computer cover” on page 107.
2. Pivot the drive bay assembly upward to gain access to the optical drive. See “Accessing the system board components and drives” on page 108.
3. Disconnect the signal and power cables from the rear of the optical drive.
4. Press the optical drive lock **1** and slide the optical drive out the rear of the drive bay assembly.

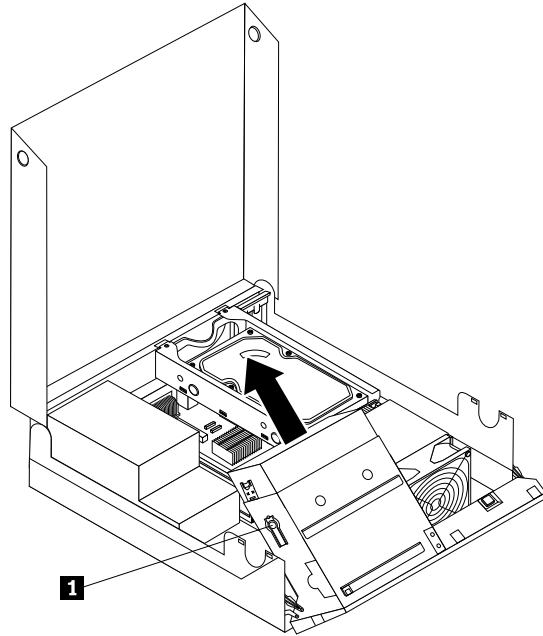


Figure 59. Removing the optical drive

5. Remove the optical drive retainer from the old optical drive and then install it on the left side of the new optical drive.

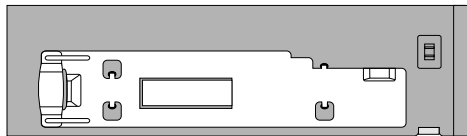


Figure 60. Installing the retainer

6. Install the new optical drive into the bay until it snaps into position.

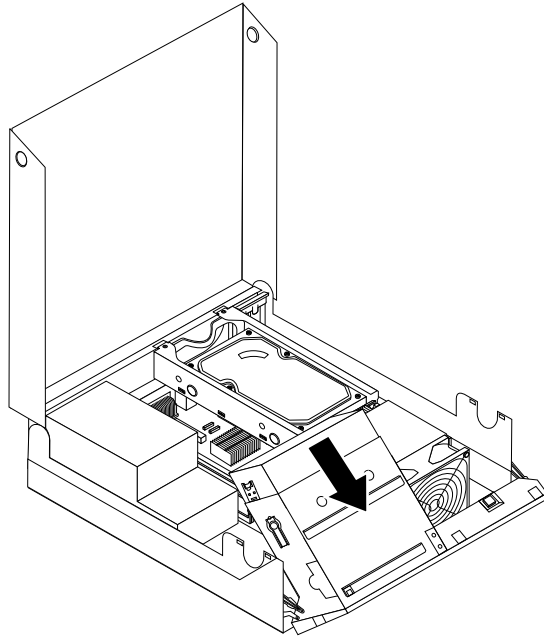


Figure 61. Installing the optical drive

7. Connect the signal and power cables to the rear of the optical drive.
8. Go to “Completing the FRU replacement” on page 131.

---

## Replacing the card reader

### Attention

Do not open your computer or attempt any repair before reading and understanding the “Important safety information” in the *ThinkCentre Safety and Warranty Guide* that came with your computer. To obtain a copy of the *ThinkCentre Safety and Warranty Guide*, go to:  
<http://www.lenovo.com/support>

This section provides instructions on how to replace the card reader.

To replace the card reader:

1. Open the computer cover. See “Opening the computer cover” on page 107.
2. Pivot the drive bay assembly upward to gain access to the card reader.
3. Locate the card reader.
4. Disconnect the card reader cable from the front USB connector on the system board. See “Locating parts on the system board” on page 110.

**Note:** Make sure you note the location of the cable when you disconnect the cable from the system board.

5. Remove the screw that secures the card reader to the chassis.

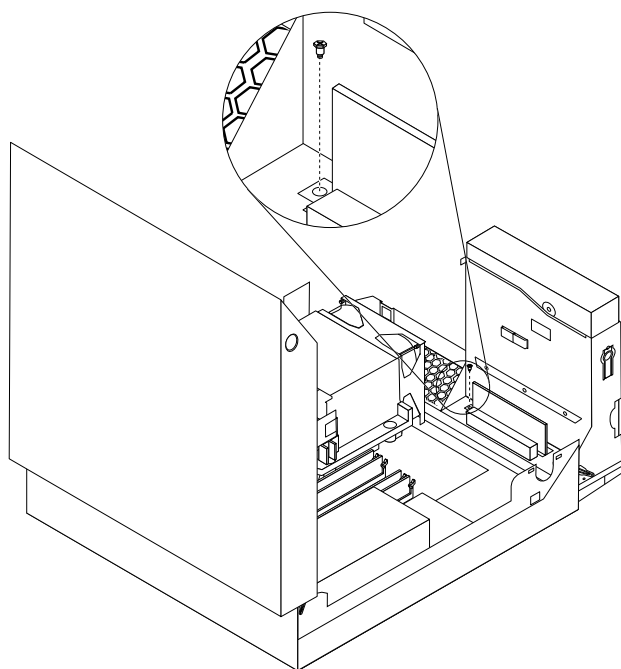


Figure 62. Removing the card reader

6. Remove the card reader from the chassis.
7. Install the new card reader into the chassis and align the screw hole in the card reader with the hole in the chassis.
8. Install the screw to secure the card reader to the chassis.
9. Connect the card reader cable to the system board.
10. Go to “Completing the FRU replacement” on page 131.

---

## Replacing the internal speaker

### Attention

Do not open your computer or attempt any repair before reading and understanding the “Important safety information” in the *ThinkCentre Safety and Warranty Guide* that came with your computer. To obtain a copy of the *ThinkCentre Safety and Warranty Guide*, go to:  
<http://www.lenovo.com/support>

This section provides instructions on how to replace the internal speaker.

To replace the internal speaker:

1. Open the computer cover. See “Opening the computer cover” on page 107.
2. Remove the front bezel by releasing the three tabs, pivoting the front bezel outward from the top, and pulling the front bezel off the chassis.

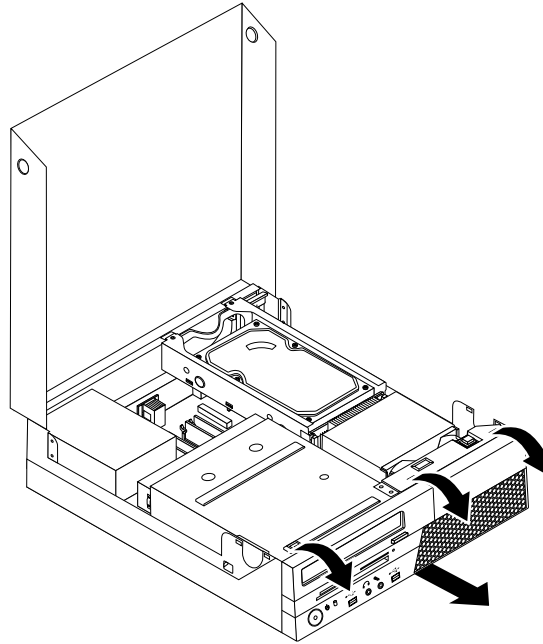


Figure 63. Removing the front bezel

3. Pivot the drive bay assembly upward to gain access to the internal speaker. See “Accessing the system board components and drives” on page 108.
4. Locate the internal speaker. See “Locating components” on page 109.
5. Disconnect the internal speaker cable and the thermal sensor cable from the internal speaker connector and the thermal sensor connector on the system board. See “Locating parts on the system board” on page 110.
6. Push the four tabs **1** on the bottom of the internal speaker **2** one by one as shown to release the internal speaker, and then lift the internal speaker straight up to completely remove it from the chassis.



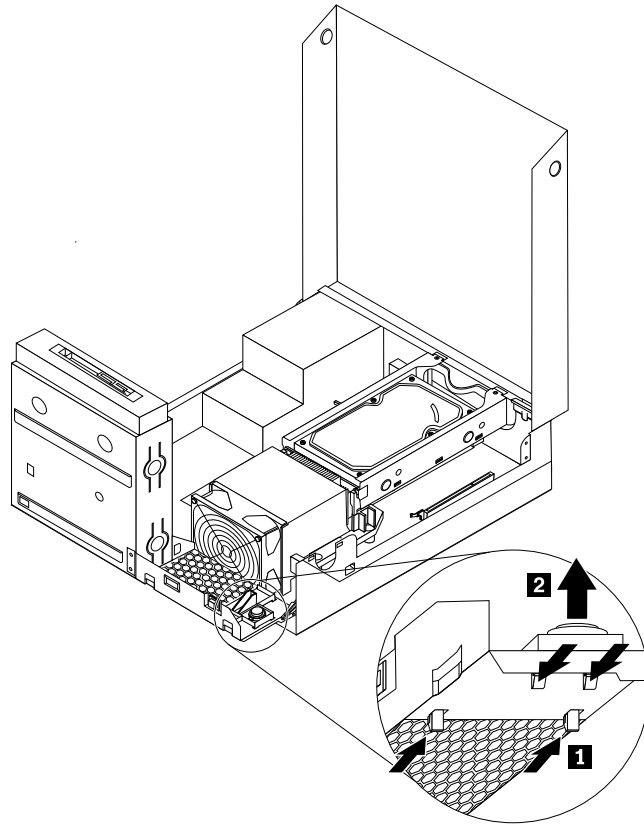


Figure 64. Removing the internal speaker

7. Remove the thermal sensor cable latched on the bottom of the old internal speaker and install it on the new internal speaker.
8. Align the four tabs on the bottom of the new internal speaker with the corresponding holes in the chassis, and push the new internal speaker straight down until it snaps into position.

**Note:** Carefully place the thermal sensor cable so that it will not impede installing the new internal speaker.

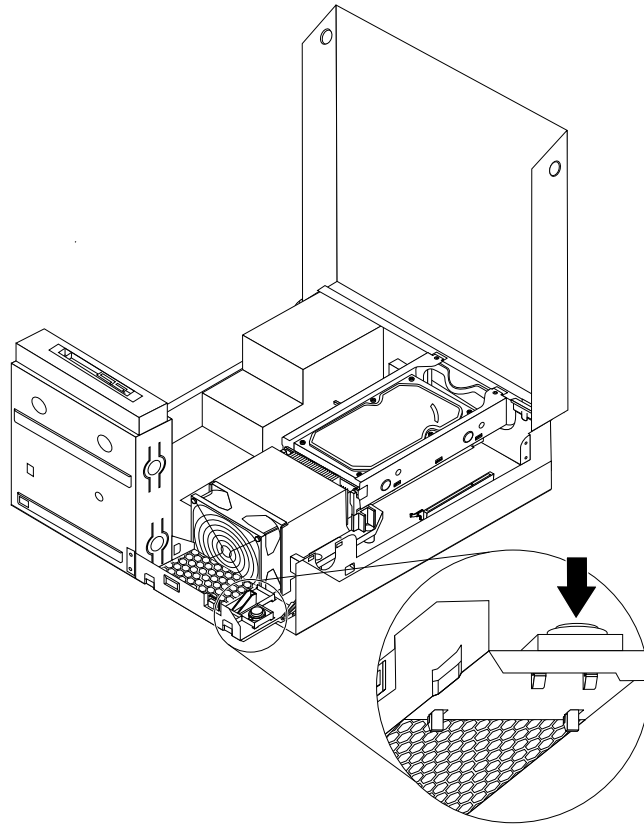


Figure 65. Installing the new internal speaker

9. Reconnect the internal speaker cable and the thermal sensor cable to the system board.
10. Go to “Completing the FRU replacement” on page 131.

---

## Replacing the front audio and USB assembly

### Attention

Do not open your computer or attempt any repair before reading and understanding the “Important safety information” in the *ThinkCentre Safety and Warranty Guide* that came with your computer. To obtain a copy of the *ThinkCentre Safety and Warranty Guide*, go to:  
<http://www.lenovo.com/support>

This section provides instructions on how to replace the front audio and USB assembly.

To replace the front audio and USB assembly:

1. Open the computer cover. See “Opening the computer cover” on page 107.
2. Pivot the drive bay assembly upward to gain access to the front audio and USB assembly. See “Accessing the system board components and drives” on page 108.
3. Locate the front audio and USB assembly.
4. Remove the hard disk drive to gain access to the front audio connector on the system board. See “Replacing the hard disk drive” on page 122.
5. Disconnect the front audio and USB assembly cables from the front audio connector and the front USB connector on the system board. See “Locating parts on the system board” on page 110.

**Note:** Make sure you note the location and routing of the cables when you disconnect the cables from the connectors on the system board.

6. Remove the screw that secures the front audio and USB assembly to the chassis.

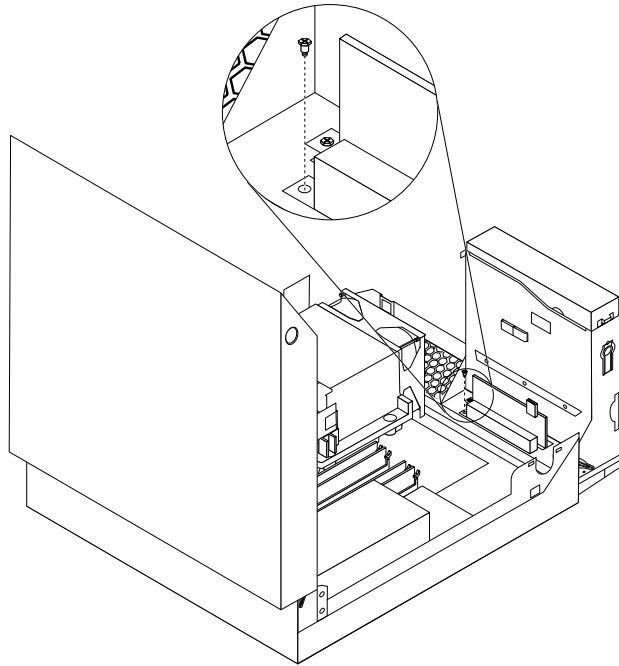


Figure 66. Removing the securing screw of the front audio and USB assembly

7. Remove the front audio and USB assembly from the chassis.
8. Install a new front audio and USB assembly into the chassis and align the screw hole in the new front audio and USB assembly with the hole in the chassis.
9. Install the screw to secure the new front audio and USB assembly to the chassis.
10. Connect the new front audio and USB assembly cables to the front audio connector and the front USB connector on the system board.
11. Reinstall the hard disk drive. See “Replacing the hard disk drive” on page 122.
12. Go to “Completing the FRU replacement” on page 131.

---

## Completing the FRU replacement

After replacing the FRUs, you need to install any removed parts, reinstall the computer cover, and reconnect any cables, including telephone lines and power cords. Depending on the FRU that was replaced, you might need to confirm the updated information in the Setup Utility program, see Chapter 6 “Using the Setup Utility” on page 43.

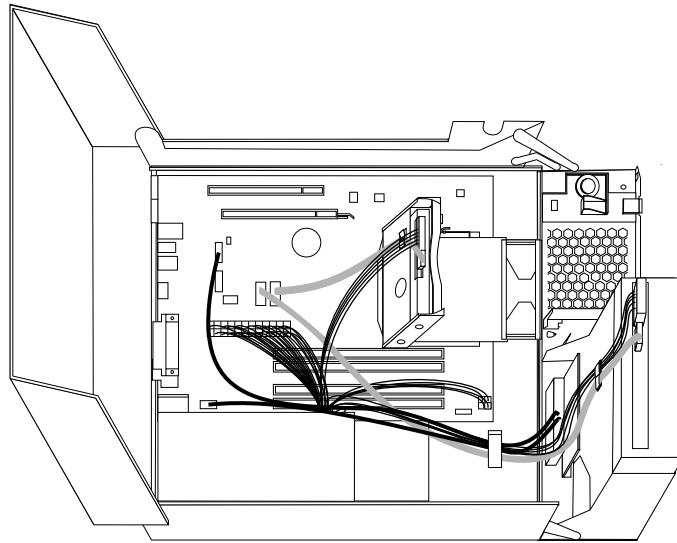
**Note:** When the power cord is first plugged in, the computer might appear to turn on for a few seconds and then turn off. This is a normal sequence to enable the computer to initialize.

To complete the FRUs replacement:

1. Ensure that all components have been reassembled correctly and that no tools or loose screws are left inside your computer. See “Locating components” on page 109 for the location of various components.
2. Make sure that the cables are routed correctly before lowering the drive bay assembly.

### **Important**

Correctly route all power supply cables to avoid interference with the drive bay assembly. Keep cables clear of the hinges and sides of the computer chassis.



*Figure 67. Cable routing*

3. Lower the drive bay assembly and position the drive locks to the locked position. Otherwise, you cannot close the computer cover.
4. Close the computer cover.
5. If a cover lock is installed, lock the cover.
6. Reconnect the external cables and power cords to the computer. See “Locating connectors on the rear of the computer” on page 106.
7. To update your configuration, see Chapter 6 “Using the Setup Utility” on page 43.

---

## Chapter 10. FRU lists

This chapter lists the information on the field replaceable units (FRUs).

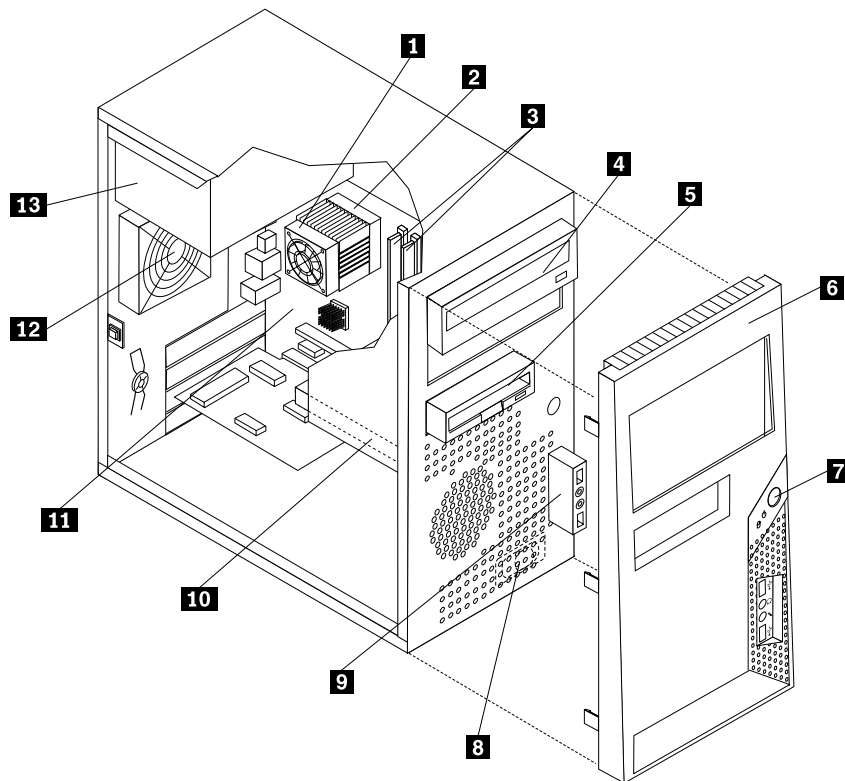
**Attention:** Be sure to read and understand all the safety information before replacing any FRUs.

**Note:** In the following tables, a customer replaceable unit (CRU) is identified as either "1", "2", or "N" in the **CRU** column. "N" means that the part is not a CRU, "1" means that the part is a Self-service CRU, and "2" means that the part is an Optional-service CRU.

---

**Overall: MT 3063, 3231, 3285, 4084, 4085, 4086, 4087, 6138, 6209, 6239, 6302, 7188, 7244, 7347, 7355, 7358, 7373, 7484, 7571, 7628, 7635, 7639, 8494, 8854, 9728, 9960, and 9965.**

The following replaceable components are available for the 3063, 3231, 3285, 4084, 4085, 4086, 4087, 6138, 6209, 6239, 6302, 7188, 7244, 7347, 7355, 7358, 7373, 7484, 7571, 7628, 7635, 7639, 8494, 8854, 9728, 9960, and 9965. machine type models.



Item #	FRUs	FRU #	CRU
1	FRU, Intel 65W kit 25L <ul style="list-style-type: none"> <li>• MT 3063: all models</li> <li>• MT 3285: all models</li> <li>• MT 4084: all models</li> <li>• MT 4086: all models</li> <li>• MT 4087: all models</li> <li>• MT 7358: all models</li> <li>• MT 7373: all models</li> <li>• MT 7484: all models</li> <li>• MT 7639: all models</li> <li>• MT 9728: all models</li> <li>• MT 9960: all models</li> <li>• MT 9965: all models</li> <li>• MT 3231, 4085, 6138, 6209, 6239, 6302, 7188, 7244, 7347, 7355, 7571, 7628, 7635, 8494, and 8854_SB</li> </ul>	43N9708	2
1	FRU, Intel 95W/65W kit 25L <ul style="list-style-type: none"> <li>• MT 3063: all models</li> <li>• MT 3285: all models</li> <li>• MT 4084: all models</li> <li>• MT 4086: all models</li> <li>• MT 4087: all models</li> <li>• MT 7358: all models</li> <li>• MT 7373: all models</li> <li>• MT 7484: all models</li> <li>• MT 7639: all models</li> <li>• MT 9728: all models</li> <li>• MT 9960: all models</li> <li>• MT 9965: all models</li> <li>• MT 3231, 4085, 6138, 6209, 6239, 6302, 7188, 7244, 7347, 7355, 7571, 7628, 7635, 8494, and 8854_SB</li> </ul>	43N9409	2
2	Microprocessor, E4700 Conroe 2.60GHz 800MHz FSB 2M <ul style="list-style-type: none"> <li>• MT 3063:</li> <li>• MT 3285:</li> <li>• MT 4084:</li> <li>• MT 4086:</li> <li>• MT 4087:</li> <li>• MT 7358:</li> <li>• MT 7373:</li> <li>• MT 7484:</li> <li>• MT 7639:</li> <li>• MT 9728:</li> <li>• MT 9960:</li> <li>• MT 9965:</li> </ul>	45R5786	2

Item #	FRUs	FRU #	CRU
	<ul style="list-style-type: none"> <li>• MT 3231, 4085, 6138, 6209, 6239, 6302, 7188, 7244, 7347, 7355, 7571, 7628, 7635, 8494, and 8854_SB</li> </ul>		
2	<p>Microprocessor, E8600 Wolfdale,3.33GHZ,1333M FSB 6M E-0</p> <ul style="list-style-type: none"> <li>• MT 3063:</li> <li>• MT 3285:</li> <li>• MT 4084:</li> <li>• MT 4086:</li> <li>• MT 4087:</li> <li>• MT 7358:</li> <li>• MT 7373:</li> <li>• MT 7484:</li> <li>• MT 7639:</li> <li>• MT 9728:</li> <li>• MT 9960:</li> <li>• MT 9965:</li> <li>• MT 3231, 4085, 6138, 6209, 6239, 6302, 7188, 7244, 7347, 7355, 7571, 7628, 7635, 8494, and 8854_SB</li> </ul>	46R8640	2
2	<p>Microprocessor, core 2 Duo E8500 processor 3.16GHz 1333MHz FSB 6M L2 65W C-0</p> <ul style="list-style-type: none"> <li>• MT 3063: BGH B4M B8U B8F B9U B9F BUG</li> <li>• MT 3285:</li> <li>• MT 4084:</li> <li>• MT 4086:</li> <li>• MT 4087:</li> <li>• MT 7358:</li> <li>• MT 7373:</li> <li>• MT 7484: D2V D3V D4V D5V D9U D9F E2M</li> <li>• MT 7639:</li> <li>• MT 9728:</li> <li>• MT 9960:</li> <li>• MT 9965:</li> <li>• MT 3231, 4085, 6138, 6209, 6239, 6302, 7188, 7244, 7347, 7355, 7571, 7628, 7635, 8494, and 8854_SB</li> </ul>	45C7735	2
2	<p>Microprocessor, core 2 Duo E8400 processor 3.00GHz 1333MHz FSB 6M L2 65W C-0</p> <ul style="list-style-type: none"> <li>• MT 3063: BMJ BNJ BPJ B6U B6F B7U B7F BCS BCP BCL BCD BCY BSG BSU BSF BSS BSP BSL BSD BSY BSM BSA BSQ BST BSC BSB BSH BSV BSK BSR BSE BSJ BVU BVF BWQ CAJ CBJ</li> <li>• MT 3285: A1U A1F A1S A1P A1L A1D A1Y A1G A1M A1A A1Q A1T A1C A1B A1H A1V A1K A1R A1E A1J A2Q</li> <li>• MT 4084: A1G</li> <li>• MT 4086:</li> <li>• MT 4087: A1G A2G</li> <li>• MT 7358: A2G A3G</li> </ul>	45C7736	2

Item #	FRUs	FRU #	CRU
	<ul style="list-style-type: none"> <li>• MT 7373:</li> <li>• MT 7484: BNM BPM D1U DIF D8V D6V D7V E1U E1F</li> <li>• MT 7639:</li> <li>• MT 9728:</li> <li>• MT 9960:</li> <li>• MT 9965: A5G A6U A6F A6S A6P A6D A6Y A8G A9U A9F A9S ACU ACF ACS</li> <li>• MT 3231, 4085, 6138, 6209, 6239, 6302, 7188, 7244, 7347, 7355, 7571, 7628, 7635, 8494, and 8854_SB</li> </ul>		
2	<p>Microprocessor, core 2 Duo E8300 processor 2.83GHz 1333MHz FSB 6M L2 65W C-0</p> <ul style="list-style-type: none"> <li>• MT 3063:</li> <li>• MT 3285:</li> <li>• MT 4084:</li> <li>• MT 4086:</li> <li>• MT 4087:</li> <li>• MT 7358:</li> <li>• MT 7373:</li> <li>• MT 7484:</li> <li>• MT 7639:</li> <li>• MT 9728:</li> <li>• MT 9960:</li> <li>• MT 9965:</li> <li>• MT 3231, 4085, 6138, 6209, 6239, 6302, 7188, 7244, 7347, 7355, 7571, 7628, 7635, 8494, and 8854_SB</li> </ul>	45C7737	2
2	<p>Microprocessor, E7200 Wolfdale 2.53GHZ 1066MHZFSB 3MB M-0</p> <ul style="list-style-type: none"> <li>• MT 3063:</li> <li>• MT 3285:</li> <li>• MT 4084:</li> <li>• MT 4086:</li> <li>• MT 4087:</li> <li>• MT 7358:</li> <li>• MT 7373:</li> <li>• MT 7484:</li> <li>• MT 7639:</li> <li>• MT 9728:</li> <li>• MT 9960:</li> <li>• MT 9965:</li> <li>• MT 3231, 4085, 6138, 6209, 6239, 6302, 7188, 7244, 7347, 7355, 7571, 7628, 7635, 8494, and 8854_SB</li> </ul>	45R8337	2



Item #	FRUs	FRU #	CRU
2	Microprocessor, E7300 Wolfdale 2.66GHZ 1066FSB FSB 3MB M-0 <ul style="list-style-type: none"> <li>• MT 3063:</li> <li>• MT 3285:</li> <li>• MT 4084:</li> <li>• MT 4086:</li> <li>• MT 4087:</li> <li>• MT 7358:</li> <li>• MT 7373:</li> <li>• MT 7484:</li> <li>• MT 7639:</li> <li>• MT 9728:</li> <li>• MT 9960:</li> <li>• MT 9965:</li> <li>• MT 3231, 4085, 6138, 6209, 6239, 6302, 7188, 7244, 7347, 7355, 7571, 7628, 7635, 8494, and 8854_SB</li> </ul>	46R1622	2
2	Microprocessor, E2200 Conroe-L 2.20GHz 800MHz FSB 1M <ul style="list-style-type: none"> <li>• MT 3063:</li> <li>• MT 3285:</li> <li>• MT 4084:</li> <li>• MT 4086:</li> <li>• MT 4087:</li> <li>• MT 7358:</li> <li>• MT 7373:</li> <li>• MT 7484:</li> <li>• MT 7639:</li> <li>• MT 9728:</li> <li>• MT 9960:</li> <li>• MT 9965:</li> <li>• MT 3231, 4085, 6138, 6209, 6239, 6302, 7188, 7244, 7347, 7355, 7571, 7628, 7635, 8494, and 8854_SB</li> </ul>	45C5349	2
2	Microprocessor, E2220 Conroe-L 2.40GHz 800MHz FSB 1M <ul style="list-style-type: none"> <li>• MT 3063:</li> <li>• MT 3285:</li> <li>• MT 4084:</li> <li>• MT 4086:</li> <li>• MT 4087:</li> <li>• MT 7358:</li> <li>• MT 7373:</li> <li>• MT 7484:</li> <li>• MT 7639:</li> <li>• MT 9728:</li> <li>• MT 9960:</li> <li>• MT 9965:</li> </ul>	45C1774	2

Item #	FRUs	FRU #	CRU
	<ul style="list-style-type: none"> <li>• MT 3231, 4085, 6138, 6209, 6239, 6302, 7188, 7244, 7347, 7355, 7571, 7628, 7635, 8494, and 8854_SB</li> </ul>		
2	Microprocessor, E5200 Wolfdale 2.50GHZ 800FSB 2M <ul style="list-style-type: none"> <li>• MT 3063:</li> <li>• MT 3285:</li> <li>• MT 4084:</li> <li>• MT 4086:</li> <li>• MT 4087:</li> <li>• MT 7358:</li> <li>• MT 7373:</li> <li>• MT 7484:</li> <li>• MT 7639:</li> <li>• MT 9728:</li> <li>• MT 9960:</li> <li>• MT 9965:</li> <li>• MT 3231, 4085, 6138, 6209, 6239, 6302, 7188, 7244, 7347, 7355, 7571, 7628, 7635, 8494, and 8854_SB</li> </ul>	46R9512	2
2	Microprocessor, 450 2.20GHZ 800MHz FSB 512K <ul style="list-style-type: none"> <li>• MT 3063:</li> <li>• MT 3285:</li> <li>• MT 4084:</li> <li>• MT 4086:</li> <li>• MT 4087:</li> <li>• MT 7358:</li> <li>• MT 7373:</li> <li>• MT 7484:</li> <li>• MT 7639:</li> <li>• MT 9728:</li> <li>• MT 9960:</li> <li>• MT 9965:</li> <li>• MT 3231, 4085, 6138, 6209, 6239, 6302, 7188, 7244, 7347, 7355, 7571, 7628, 7635, 8494, and 8854_SB</li> </ul>	46R9514	2
2	Microprocessor, E1400 Conroe 2.00GHZ 800MHZFSB 512K - NPI M-0 <ul style="list-style-type: none"> <li>• MT 3063:</li> <li>• MT 3285:</li> <li>• MT 4084:</li> <li>• MT 4086:</li> <li>• MT 4087:</li> <li>• MT 7358:</li> <li>• MT 7373:</li> <li>• MT 7484:</li> <li>• MT 7639:</li> <li>• MT 9728:</li> </ul>	45R8339	2

Item #	FRUs	FRU #	CRU
	<ul style="list-style-type: none"> <li>• MT 9960:</li> <li>• MT 9965:</li> <li>• MT 3231, 4085, 6138, 6209, 6239, 6302, 7188, 7244, 7347, 7355, 7571, 7628, 7635, 8494, and 8854_SB</li> </ul>		
2	<p>Microprocessor, Celeron 440 Processor 2.00GHz 800MHz FSB 512K L2 A-1 Stepping Level, Value FMB</p> <ul style="list-style-type: none"> <li>• MT 3063:</li> <li>• MT 3285:</li> <li>• MT 4084:</li> <li>• MT 4086:</li> <li>• MT 4087:</li> <li>• MT 7358:</li> <li>• MT 7373:</li> <li>• MT 7484:</li> <li>• MT 7639:</li> <li>• MT 9728:</li> <li>• MT 9960:</li> <li>• MT 9965:</li> <li>• MT 3231, 4085, 6138, 6209, 6239, 6302, 7188, 7244, 7347, 7355, 7571, 7628, 7635, 8494, and 8854_SB</li> </ul>	43C1965	2
2	<p>Microprocessor, Q9550 Yorkfield 2.83GHZ 1333FSB 12M 4/4 L2 95W C-0</p> <ul style="list-style-type: none"> <li>• MT 3063:</li> <li>• MT 3285:</li> <li>• MT 4084:</li> <li>• MT 4086:</li> <li>• MT 4087:</li> <li>• MT 7358:</li> <li>• MT 7373:</li> <li>• MT 7484:</li> <li>• MT 7639:</li> <li>• MT 9728:</li> <li>• MT 9960:</li> <li>• MT 9965:</li> <li>• MT 3231, 4085, 6138, 6209, 6239, 6302, 7188, 7244, 7347, 7355, 7571, 7628, 7635, 8494, and 8854_SB</li> </ul>	45C7739	2

Item #	FRUs	FRU #	CRU
2	Microprocessor, Q9450 Yorkfield 2.66GHZ 1333FSB 12M 4/4 L2 95W C-0 <ul style="list-style-type: none"> <li>• MT 3063:</li> <li>• MT 3285:</li> <li>• MT 4084:</li> <li>• MT 4086:</li> <li>• MT 4087:</li> <li>• MT 7358:</li> <li>• MT 7373:</li> <li>• MT 7484:</li> <li>• MT 7639:</li> <li>• MT 9728:</li> <li>• MT 9960:</li> <li>• MT 9965:</li> <li>• MT 3231, 4085, 6138, 6209, 6239, 6302, 7188, 7244, 7347, 7355, 7571, 7628, 7635, 8494, and 8854_SB</li> </ul>	45C7740	2
2	Microprocessor, Q9300 Yorkfield 2.50GHZ 1333FSB 6M 4/4 L2 95W M-0 <ul style="list-style-type: none"> <li>• MT 3063:</li> <li>• MT 3285:</li> <li>• MT 4084:</li> <li>• MT 4086:</li> <li>• MT 4087:</li> <li>• MT 7358:</li> <li>• MT 7373:</li> <li>• MT 7484:</li> <li>• MT 7639:</li> <li>• MT 9728:</li> <li>• MT 9960:</li> <li>• MT 9965:</li> <li>• MT 3231, 4085, 6138, 6209, 6239, 6302, 7188, 7244, 7347, 7355, 7571, 7628, 7635, 8494, and 8854_SB</li> </ul>	45C7741	2
2	Microprocessor, Q9400 Yorkfield 2.66GHZ 1333FSB 6MB VT, TXT R-0 <ul style="list-style-type: none"> <li>• MT 3063: BHH B5M BJJ BKJ BLJ BDJ BFJ BBU BBF</li> <li>• MT 3285:</li> <li>• MT 4084:</li> <li>• MT 4086:</li> <li>• MT 4087:</li> <li>• MT 7358:</li> <li>• MT 7373:</li> <li>• MT 7484: BQA BQT BRA BRT BMM</li> <li>• MT 7639: A1U A1F A1S A1P A1L A1D A1Y A1M A1A A1Q A1T A1C A1B A1H A1V A1K A1R A1E A1J A2Q</li> <li>• MT 9728:</li> <li>• MT 9960:</li> </ul>	46R8644	2

Item #	FRUs	FRU #	CRU
	<ul style="list-style-type: none"> <li>• MT 9965: A7U A7F A7S A7P A7D A7Y ABU ABF ABS</li> <li>• MT 3231, 4085, 6138, 6209, 6239, 6302, 7188, 7244, 7347, 7355, 7571, 7628, 7635, 8494, and 8854_SB</li> </ul>		
2	<p>Microprocessor, Q9650 Yorkfield 3.00GHZ 1333FSB 12MB VT, TXT E-0</p> <ul style="list-style-type: none"> <li>• MT 3063:</li> <li>• MT 3285:</li> <li>• MT 4084:</li> <li>• MT 4086:</li> <li>• MT 4087:</li> <li>• MT 7358:</li> <li>• MT 7373:</li> <li>• MT 7484:</li> <li>• MT 7639:</li> <li>• MT 9728:</li> <li>• MT 9960:</li> <li>• MT 9965:</li> <li>• MT 3231, 4085, 6138, 6209, 6239, 6302, 7188, 7244, 7347, 7355, 7571, 7628, 7635, 8494, and 8854_SB</li> </ul>	46R8642	2
2	<p>Microprocessor, Q8200 Yorkfield 2.33GHZ 1333FSB 4MB M-1</p> <ul style="list-style-type: none"> <li>• MT 3063:</li> <li>• MT 3285:</li> <li>• MT 4084:</li> <li>• MT 4086:</li> <li>• MT 4087:</li> <li>• MT 7358:</li> <li>• MT 7373:</li> <li>• MT 7484:</li> <li>• MT 7639:</li> <li>• MT 9728:</li> <li>• MT 9960:</li> <li>• MT 9965:</li> <li>• MT 3231, 4085, 6138, 6209, 6239, 6302, 7188, 7244, 7347, 7355, 7571, 7628, 7635, 8494, and 8854_SB</li> </ul>	46R9516	2
2	<p>Microprocessor, E7500 Wolfdale 2.93GHZ/1066FSB 3M ViiV, EIST, EM64T, EDB R-0</p> <ul style="list-style-type: none"> <li>• MT 3063:</li> <li>• MT 3285:</li> <li>• MT 4084:</li> <li>• MT 4086: A1G</li> <li>• MT 4087:</li> <li>• MT 7358:</li> <li>• MT 7373: EFQ EGU EGF ENV EPV EQV FEQ FFQ FGM</li> <li>• MT 7484:</li> </ul>	53Y6654	2

Item #	FRUs	FRU #	CRU
	<ul style="list-style-type: none"> <li>• MT 7639:</li> <li>• MT 9728: A7U A7F A8U A8F A5U A5F A5S A5P A5L A5D A5Y A5G A5M A5A A5Q A5T A5C A5B A5H A5V A5K A5R A5E A5J AGG AUQ</li> <li>• MT 9960: AkU AkF AkS AkP AkD AkY ALU ALF ALS AMU AMF AMS</li> <li>• MT 9965:</li> <li>• MT 3231, 4085, 6138, 6209, 6239, 6302, 7188, 7244, 7347, 7355, 7571, 7628, 7635, 8494, and 8854_SB</li> </ul>		
2	<p>Microprocessor, E7400 Wolfdale 2.8GHZ/1066FSB 3M ViiV, EIST, EM64T, EDB R-0</p> <ul style="list-style-type: none"> <li>• MT 3063:</li> <li>• MT 3285:</li> <li>• MT 4084:</li> <li>• MT 4086:</li> <li>• MT 4087:</li> <li>• MT 7358:</li> <li>• MT 7373:</li> <li>• MT 7484:</li> <li>• MT 7639:</li> <li>• MT 9728:</li> <li>• MT 9960:</li> <li>• MT 9965:</li> <li>• MT 3231, 4085, 6138, 6209, 6239, 6302, 7188, 7244, 7347, 7355, 7571, 7628, 7635, 8494, and 8854_SB</li> </ul>	53Y6653	2
2	<p>Microprocessor, E1500 Conroe 2.2GHZ/800FSB 512KB EIST, EM64T, EDB M-0</p> <ul style="list-style-type: none"> <li>• MT 3063:</li> <li>• MT 3285:</li> <li>• MT 4084:</li> <li>• MT 4086:</li> <li>• MT 4087:</li> <li>• MT 7358:</li> <li>• MT 7373:</li> <li>• MT 7484:</li> <li>• MT 7639:</li> <li>• MT 9728:</li> <li>• MT 9960:</li> <li>• MT 9965:</li> <li>• MT 3231, 4085, 6138, 6209, 6239, 6302, 7188, 7244, 7347, 7355, 7571, 7628, 7635, 8494, and 8854_SB</li> </ul>	53Y9051	2

Item #	FRUs	FRU #	CRU
2	Microprocessor, E5400 Wolfdale 2.7GHz/800FSB 2MB EIST, EM64T, EDB R-0 <ul style="list-style-type: none"> <li>• MT 3063:</li> <li>• MT 3285:</li> <li>• MT 4084:</li> <li>• MT 4086:</li> <li>• MT 4087:</li> <li>• MT 7358:</li> <li>• MT 7373:</li> <li>• MT 7484:</li> <li>• MT 7639:</li> <li>• MT 9728:</li> <li>• MT 9960:</li> <li>• MT 9965:</li> <li>• MT 3231, 4085, 6138, 6209, 6239, 6302, 7188, 7244, 7347, 7355, 7571, 7628, 7635, 8494, and 8854_SB</li> </ul>	64Y1075	2
2	Microprocessor, Intel Core 2 Duo E7600 3.06G/1066/3M/775 VT R0 65W QLUH <ul style="list-style-type: none"> <li>• MT 3063:</li> <li>• MT 3285:</li> <li>• MT 4084:</li> <li>• MT 4086:</li> <li>• MT 4087:</li> <li>• MT 7358:</li> <li>• MT 7373: E9A E9T EBA EBT D8M D8A D8T D9M FBU FBF FBL</li> <li>• MT 7484:</li> <li>• MT 7639:</li> <li>• MT 9728: A4H ADA ADT A1J A2J ABM</li> <li>• MT 9960:</li> <li>• MT 9965:</li> <li>• MT 3231, 4085, 6138, 6209, 6239, 6302, 7188, 7244, 7347, 7355, 7571, 7628, 7635, 8494, and 8854_SB</li> </ul>	71Y3486	2
2	Microprocessor, Intel Core 2 Quad Q8400 2.66/1333/4/775 VT R0 95W QLQN <ul style="list-style-type: none"> <li>• MT 3063:</li> <li>• MT 3285:</li> <li>• MT 4084:</li> <li>• MT 4086:</li> <li>• MT 4087:</li> <li>• MT 7358:</li> <li>• MT 7373: ECA ECT EDA EDT E1M E2M E3U E3F E4U E4F EWV F1V F2V F3V F4V F5V</li> <li>• MT 7484:</li> <li>• MT 7639:</li> </ul>	71Y3488	2

Item #	FRUs	FRU #	CRU
	<ul style="list-style-type: none"> <li>• MT 9728: A3H AFA AFT ACM ATG</li> <li>• MT 9960:</li> <li>• MT 9965:</li> <li>• MT 3231, 4085, 6138, 6209, 6239, 6302, 7188, 7244, 7347, 7355, 7571, 7628, 7635, 8494, and 8854_SB</li> </ul>		
2	<p>Microprocessor, Intel Core 2 Quad Q8400S 2.66/1333/4/775 VT R0 65W QLRV</p> <ul style="list-style-type: none"> <li>• MT 3063:</li> <li>• MT 3285:</li> <li>• MT 4084:</li> <li>• MT 4086:</li> <li>• MT 4087:</li> <li>• MT 7358:</li> <li>• MT 7373: ECA ECT EDA EDT E1M E2M E3U E3F E4U E4F EWW F1V F2V F3V F4V F5V</li> <li>• MT 7484:</li> <li>• MT 7639:</li> <li>• MT 9728: A3H AFA AFT ACM</li> <li>• MT 9960:</li> <li>• MT 9965:</li> <li>• MT 3231, 4085, 6138, 6209, 6239, 6302, 7188, 7244, 7347, 7355, 7571, 7628, 7635, 8494, and 8854_SB</li> </ul>	71Y3490	2
2	<p>Microprocessor, Intel Pentium dual core E6300 2.8G/1066/2M/775 VT R0 65W QLPZ</p> <ul style="list-style-type: none"> <li>• MT 3063:</li> <li>• MT 3285:</li> <li>• MT 4084:</li> <li>• MT 4086:</li> <li>• MT 4087:</li> <li>• MT 7358:</li> <li>• MT 7373: E8A E8T E5U E5F E6U E6F E7U E7F</li> <li>• MT 7484:</li> <li>• MT 7639:</li> <li>• MT 9728: A6U A6F A9S A9P A9L A9D A9Y</li> <li>• MT 9960:</li> <li>• MT 9965:</li> <li>• MT 3231, 4085, 6138, 6209, 6239, 6302, 7188, 7244, 7347, 7355, 7571, 7628, 7635, 8494, and 8854_SB</li> </ul>	71Y3484	2



Item #	FRUs	FRU #	CRU
2	Microprocessor, E5300 Wolfdale 2.6GHz/800FSB 2MB EIST,EM64T,EDB R-0 <ul style="list-style-type: none"> <li>• MT 3063:</li> <li>• MT 3285:</li> <li>• MT 4084:</li> <li>• MT 4086:</li> <li>• MT 4087:</li> <li>• MT 7358:</li> <li>• MT 7373:</li> <li>• MT 7484:</li> <li>• MT 7639:</li> <li>• MT 9728:</li> <li>• MT 9960:</li> <li>• MT 9965:</li> <li>• MT 3231, 4085, 6138, 6209, 6239, 6302, 7188, 7244, 7347, 7355, 7571, 7628, 7635, 8494, and 8854_SB</li> </ul>	53Y9049	2
2	Microprocessor, Q8300 Yorkfield 2.5GHZ/1333FSB 4M ViiV,EIST,EM64T,EDB R-0 <ul style="list-style-type: none"> <li>• MT 3063:</li> <li>• MT 3285:</li> <li>• MT 4084:</li> <li>• MT 4086:</li> <li>• MT 4087:</li> <li>• MT 7358:</li> <li>• MT 7373:</li> <li>• MT 7484:</li> <li>• MT 7639:</li> <li>• MT 9728:</li> <li>• MT 9960:</li> <li>• MT 9965:</li> <li>• MT 3231, 4085, 6138, 6209, 6239, 6302, 7188, 7244, 7347, 7355, 7571, 7628, 7635, 8494, and 8854_SB</li> </ul>	53Y6656	2
2	Microprocessor, Inte Celeron dual core E3400 2.6GHZ /800 MHz/1MB R-0 65W VT <ul style="list-style-type: none"> <li>• MT 3063:</li> <li>• MT 3285:</li> <li>• MT 4084:</li> <li>• MT 4086:</li> <li>• MT 4087:</li> <li>• MT 7358:</li> <li>• MT 7373:</li> <li>• MT 7484:</li> <li>• MT 7639:</li> <li>• MT 9728:</li> </ul>	89Y0207	2

Item #	FRUs	FRU #	CRU
	<ul style="list-style-type: none"> <li>• MT 9960:</li> <li>• MT 9965:</li> <li>• MT 3231, 4085, 6138, 6209, 6239, 6302, 7188, 7244, 7347, 7355, 7571, 7628, 7635, 8494, and 8854_SB</li> </ul>		
2	<p>Microprocessor, Inte Celeron dual core E3300 2.5GHZ /800 MHz/1MB R-0 65W VT</p> <ul style="list-style-type: none"> <li>• MT 3063:</li> <li>• MT 3285:</li> <li>• MT 4084:</li> <li>• MT 4086:</li> <li>• MT 4087:</li> <li>• MT 7358:</li> <li>• MT 7373:</li> <li>• MT 7484:</li> <li>• MT 7639:</li> <li>• MT 9728:</li> <li>• MT 9960:</li> <li>• MT 9965:</li> <li>• MT 3231, 4085, 6138, 6209, 6239, 6302, 7188, 7244, 7347, 7355, 7571, 7628, 7635, 8494, and 8854_SB</li> </ul>	71Y6252	2
2	<p>Microprocessor, Intel Celeron dual core E3200 2.4GHZ /800 MHz/1MB R-0 65W VT</p> <ul style="list-style-type: none"> <li>• MT 3063:</li> <li>• MT 3285:</li> <li>• MT 4084:</li> <li>• MT 4086:</li> <li>• MT 4087:</li> <li>• MT 7358:</li> <li>• MT 7373:</li> <li>• MT 7484:</li> <li>• MT 7639:</li> <li>• MT 9728:</li> <li>• MT 9960:</li> <li>• MT 9965:</li> <li>• MT 3231, 4085, 6138, 6209, 6239, 6302, 7188, 7244, 7347, 7355, 7571, 7628, 7635, 8494, and 8854_SB</li> </ul>	71Y6251	2

Item #	FRUs	FRU #	CRU
2	Microprocessor, Intel Core 2 Quad Q9500 2.83/1333/6MB/775 VT R0 95W QLRY <ul style="list-style-type: none"> <li>• MT 3063:</li> <li>• MT 3285:</li> <li>• MT 4084:</li> <li>• MT 4086:</li> <li>• MT 4087:</li> <li>• MT 7358:</li> <li>• MT 7373:</li> <li>• MT 7484:</li> <li>• MT 7639:</li> <li>• MT 9728:</li> <li>• MT 9960:</li> <li>• MT 9965:</li> <li>• MT 3231, 4085, 6138, 6209, 6239, 6302, 7188, 7244, 7347, 7355, 7571, 7628, 7635, 8494, and 8854_SB</li> </ul>	71Y8996	2
2	Microprocessor, Intel Pentium dual core E6500 2.93GHZ /1066 MHz/2MB R-0 65W <ul style="list-style-type: none"> <li>• MT 3063:</li> <li>• MT 3285:</li> <li>• MT 4084:</li> <li>• MT 4086:</li> <li>• MT 4087:</li> <li>• MT 7358:</li> <li>• MT 7373:</li> <li>• MT 7484:</li> <li>• MT 7639:</li> <li>• MT 9728:</li> <li>• MT 9960:</li> <li>• MT 9965:</li> <li>• MT 3231, 4085, 6138, 6209, 6239, 6302, 7188, 7244, 7347, 7355, 7571, 7628, 7635, 8494, and 8854_SB</li> </ul>	71Y6250	2
2	Microprocessor, Intel Pentium dual core E6600 3.06GHZ /1066 MHz/2MB R-0 65W <ul style="list-style-type: none"> <li>• MT 3063:</li> <li>• MT 3285:</li> <li>• MT 4084:</li> <li>• MT 4086:</li> <li>• MT 4087:</li> <li>• MT 7358:</li> <li>• MT 7373:</li> <li>• MT 7484:</li> <li>• MT 7639:</li> <li>• MT 9728:</li> </ul>	89Y0198	2

Item #	FRUs	FRU #	CRU
	<ul style="list-style-type: none"> <li>• MT 9960:</li> <li>• MT 9965:</li> <li>• MT 3231, 4085, 6138, 6209, 6239, 6302, 7188, 7244, 7347, 7355, 7571, 7628, 7635, 8494, and 8854_SB</li> </ul>		
2	<p>Microprocessor, Intel Core 2 Quad Q9505 2.83GHZ /1333 MHz/6MB R-0 95W</p> <ul style="list-style-type: none"> <li>• MT 3063:</li> <li>• MT 3285:</li> <li>• MT 4084:</li> <li>• MT 4086:</li> <li>• MT 4087:</li> <li>• MT 7358:</li> <li>• MT 7373:</li> <li>• MT 7484:</li> <li>• MT 7639:</li> <li>• MT 9728:</li> <li>• MT 9960:</li> <li>• MT 9965:</li> <li>• MT 3231, 4085, 6138, 6209, 6239, 6302, 7188, 7244, 7347, 7355, 7571, 7628, 7635, 8494, and 8854_SB</li> </ul>	71Y6354	2
2	<p>Microprocessor, Intel Pentium dual core E6700 3.20GHZ/1066MHZ/2M VT R0 65W</p> <ul style="list-style-type: none"> <li>• MT 3063:</li> <li>• MT 3285:</li> <li>• MT 4084:</li> <li>• MT 4086:</li> <li>• MT 4087:</li> <li>• MT 7358:</li> <li>• MT 7373: FCU FCF</li> <li>• MT 7484:</li> <li>• MT 7639:</li> <li>• MT 9728:</li> <li>• MT 9960:</li> <li>• MT 9965:</li> <li>• MT 3231, 4085, 6138, 6209, 6239, 6302, 7188, 7244, 7347, 7355, 7571, 7628, 7635, 8494, and 8854_SB</li> </ul>	03T6009	2

Item #	FRUs	FRU #	CRU
2	Microprocessor, E6800 Pentium dual core 3.3GHZ/1066MHZ/2M Wolfdale-2M R-0 Stepping <ul style="list-style-type: none"> <li>• MT 3063:</li> <li>• MT 3285:</li> <li>• MT 4084:</li> <li>• MT 4086:</li> <li>• MT 4087:</li> <li>• MT 7358:</li> <li>• MT 7373:</li> <li>• MT 7484:</li> <li>• MT 7639:</li> <li>• MT 9728:</li> <li>• MT 9960:</li> <li>• MT 9965:</li> <li>• MT 3231, 4085, 6138, 6209, 6239, 6302, 7188, 7244, 7347, 7355, 7571, 7628, 7635, 8494, and 8854_SB</li> </ul>	03T6006	2
2	Microprocessor, E5700 Pentium dual core 3.0GHZ/800Mhz/2M,Wolfdale-2M R-0 Stepping <ul style="list-style-type: none"> <li>• MT 3063:</li> <li>• MT 3285:</li> <li>• MT 4084:</li> <li>• MT 4086:</li> <li>• MT 4087:</li> <li>• MT 7358:</li> <li>• MT 7373:</li> <li>• MT 7484:</li> <li>• MT 7639:</li> <li>• MT 9728:</li> <li>• MT 9960:</li> <li>• MT 9965:</li> <li>• MT 3231, 4085, 6138, 6209, 6239, 6302, 7188, 7244, 7347, 7355, 7571, 7628, 7635, 8494, and 8854_SB</li> </ul>	03T6007	2
2	Microprocessor, E3500 Celeron dual core 2.7GHZ/800MHZ/1M Wolfdale-1M R-0 Stepping <ul style="list-style-type: none"> <li>• MT 3063:</li> <li>• MT 3285:</li> <li>• MT 4084:</li> <li>• MT 4086:</li> <li>• MT 4087:</li> <li>• MT 7358:</li> <li>• MT 7373:</li> <li>• MT 7484:</li> <li>• MT 9728:</li> <li>• MT 9960:</li> </ul>	03T6008	2

Item #	FRUs	FRU #	CRU
	<ul style="list-style-type: none"> <li>• MT 9965:</li> <li>• MT 3231, 4085, 6138, 6209, 6239, 6302, 7188, 7244, 7347, 7355, 7571, 7628, 7635, 8494, and 8854_SB</li> </ul>		
3	<p>Memory module, 1GB PC3-8500 1066MHz DDR3 UDIMM</p> <ul style="list-style-type: none"> <li>• MT 3063: BGH</li> <li>• MT 3285:</li> <li>• MT 4084:</li> <li>• MT 4086:</li> <li>• MT 4087:</li> <li>• MT 7358:</li> <li>• MT 7373: E8A E8T E5U E5F F6A F6T F7A F7T F8A F8T</li> <li>• MT 7484: D9U D9F</li> <li>• MT 7639:</li> <li>• MT 9728: A4H</li> <li>• MT 9960:</li> <li>• MT 9965:</li> <li>• MT 3231, 4085, 6138, 6209, 6239, 6302, 7188, 7244, 7347, 7355, 7571, 7628, 7635, 8494, and 8854_SB</li> </ul>	46R3322	1
3	<p>Memory module, 2GB PC3-8500 1066MHz DDR3 UDIMM</p> <ul style="list-style-type: none"> <li>• MT 3063: BHH B4M B5M BJJ BKJ BLJ BMJ BNJ BPJ BDJ BFJ B6U B6F B7U B7F B8U B8F B9U B9F BBU BBF BCS BCP BCL BCD BCY BSG BUG BSU BSF BSS BSP BSL BSD BSY BSM BSA BSQ BST BSC BSB BSH BSV BSK BSR BSE BSJ BVU BVF BWQ CAJ CBJ</li> <li>• MT 3285: A1U A1F A1S A1P A1L A1D A1Y A1G A1M A1A A1Q A1T A1C A1B A1H A1V A1K A1R A1E A1J A2Q</li> <li>• MT 4084: A1G</li> <li>• MT 4086: A1G A2G A3G</li> <li>• MT 4087: A1G A2G</li> <li>• MT 7358: A2G A3G</li> <li>• MT 7373: E9A E9T EBA EBT ECA ECT EDA EDT D8M D8A D8T D9M E1M E2M E3U E3F E4U E4F E6U E6F E7U E7F EFQ EGU EGF EHV EJV EKV ELV EMV ENV EPV EQV ERV ESV ETV EUV EVV EWV F1V F2V F3V F4V F5V F9U F9F F9L FBU FBF FBL FEQ FFQ FCU FCF FGM</li> <li>• MT 7484: BQA BQT BRA BRT BNM BPM BMM D1U DIF D8V D2V D3V D4V D5V D6V D7V E1U E1F E2M</li> <li>• MT 7639: A1U A1F A1S A1P A1L A1D A1Y A1M A1A A1Q A1T A1C A1B A1H A1V A1K A1R A1E A1J A2Q</li> <li>• MT 9728: A3H AFA AFT ADA ADT A1J A2J ABM ACM A6U A6F A7U A7F A8U A8F A9S A9P A9L A9D A9Y A5U A5F A5S A5P A5L A5D A5Y A5G A5M A5A A5Q A5T A5C A5B A5H A5V A5K A5R A5E A5J AGG ATG AUQ B1G</li> <li>• MT 9960: AkU AkF AkS AkP AkD AkY ALU ALF ALS ANU ANF ANS APU APF APS AMU AMF AMS</li> <li>• MT 9965: A5G A6U A6F A6S A6P A6D A6Y A7U A7F A7S A7P A7D A7Y A8G A9U A9F A9S ABU ABF ABS ACU ACF ACS</li> <li>• MT 3231, 4085, 6138, 6209, 6239, 6302, 7188, 7244, 7347, 7355, 7571, 7628, 7635, 8494, and 8854_SB</li> </ul>	46R3323	1

Item #	FRUs	FRU #	CRU
3	Memory module, 1GB PC3-10600 1333MHz DDR3 UDIMM <ul style="list-style-type: none"> <li>• MT 3063:</li> <li>• MT 3285:</li> <li>• MT 4084:</li> <li>• MT 4086:</li> <li>• MT 4087:</li> <li>• MT 7358:</li> <li>• MT 7373:</li> <li>• MT 7484:</li> <li>• MT 7639:</li> <li>• MT 9728:</li> <li>• MT 9960:</li> <li>• MT 9965:</li> <li>• MT 3231, 4085, 6138, 6209, 6239, 6302, 7188, 7244, 7347, 7355, 7571, 7628, 7635, 8494, and 8854_SB</li> </ul>	64Y6648	1
3	Memory module, 2GB PC3-10600 1333MHz DDR3 UDIMM <ul style="list-style-type: none"> <li>• MT 3063:</li> <li>• MT 3285:</li> <li>• MT 4084:</li> <li>• MT 4086:</li> <li>• MT 4087:</li> <li>• MT 7358:</li> <li>• MT 7373:</li> <li>• MT 7484:</li> <li>• MT 7639:</li> <li>• MT 9728:</li> <li>• MT 9960:</li> <li>• MT 9965:</li> <li>• MT 3231, 4085, 6138, 6209, 6239, 6302, 7188, 7244, 7347, 7355, 7571, 7628, 7635, 8494, and 8854_SB</li> </ul>	64Y6649	1
3	Memory module, 4GB PC3-10600 1333MHz DDR3 UDIMM <ul style="list-style-type: none"> <li>• MT 3063:</li> <li>• MT 3285:</li> <li>• MT 4084:</li> <li>• MT 4086:</li> <li>• MT 4087:</li> <li>• MT 7358:</li> <li>• MT 7373:</li> <li>• MT 7484:</li> <li>• MT 7639:</li> <li>• MT 9728:</li> <li>• MT 9960:</li> <li>• MT 9965:</li> </ul>	89Y9224	1

Item #	FRUs	FRU #	CRU
	<ul style="list-style-type: none"> <li>MT 3231, 4085, 6138, 6209, 6239, 6302, 7188, 7244, 7347, 7355, 7571, 7628, 7635, 8494, and 8854_SB</li> </ul>		
4	<p>Optical drive, DVD-ROM drive - 16x/48x - SATA Vista &amp; non-Vista</p> <ul style="list-style-type: none"> <li>MT 3063: BLJ BPJ CAJ</li> <li>MT 3285:</li> <li>MT 4084:</li> <li>MT 4086:</li> <li>MT 4087:</li> <li>MT 7358:</li> <li>MT 7373: E5U E5F EHV EKV ENV ERV ESV EUV EWV F1V F2V F3V</li> <li>MT 7484: BNM D8V D2V D4V D6V</li> <li>MT 7639:</li> <li>MT 9728: A3H A4H A2J</li> <li>MT 9960:</li> <li>MT 9965:</li> <li>MT 3231, 4085, 6138, 6209, 6239, 6302, 7188, 7244, 7347, 7355, 7571, 7628, 7635, 8494, and 8854_SB</li> </ul>	71Y5543	1
4	<p>Optical drive, DVD Recordable/CD-RW Rambo 8 - SATA Vista &amp; non-Vista</p> <ul style="list-style-type: none"> <li>MT 3063: BGH BHH B4M B5M BJJ BKJ BMJ BNJ BDJ BFJ B6U B6F B7U B7F B8U B8F B9U B9F BBU BBF BCS BCP BCL BCD BCY BSG BUG BSU BSF BSS BSP BSL BSD BSY BSM BSA BSQ BST BSC BSB BSH BSV BSK BSR BSE BSJ BVU BVF BWQ CBJ</li> <li>MT 3285: A1U A1F A1S A1P A1L A1D A1Y A1G A1M A1A A1Q A1T A1C A1B A1H A1V A1K A1R A1E A1J A2Q</li> <li>MT 4084: A1G</li> <li>MT 4086: A1G A2G A3G</li> <li>MT 4087: A1G A2G</li> <li>MT 7358: A2G A3G</li> <li>MT 7373: E8A E8T E9A E9T EBA EBT ECA ECT EDA EDT D8M D8A D8T D9M E1M E2M E3U E3F E4U E4F E6U E6F E7U E7F EFQ EGU EGF EJV ELV EMV EPV EQV ETV EVV F4V F5V F6A F6T F7A F7T F8A F8T F9U F9F F9L FBU FBF FBL FEQ FFQ FCU FCF FGM</li> <li>MT 7484: BQA BQT BRA BRT BPM BMM DIU DIF D3V D5V D7V E1U E1F D9U D9F E2M</li> <li>MT 7639: A1U A1F A1S A1P A1L A1D A1Y A1M A1A A1Q A1T A1C A1B A1H A1V A1K A1R A1E A1J A2Q &lt;</li> <li>MT 9728: AFA AFT ADA ADT A1J ABM ACM A6U A6F A7U A7F A8U A8F A9S A9P A9L A9D A9Y A5U A5F A5S A5P A5L A5D A5Y A5G A5M A5A A5Q A5T A5C A5B A5H A5V A5K A5R A5E A5J AGG ATG AUQ B1G</li> <li>MT 9960: AkU AkF AkS AkP AkD AkY ALU ALF ALS ANU ANF ANS APU APF APS AMU AMF AMS</li> <li>MT 9965: A5G A6U A6F A6S A6P A6D A6Y A7U A7F A7S A7P A7D A7Y A8G A9U A9F A9S ABU ABF ABS ACU ACF ACS</li> <li>MT 3231, 4085, 6138, 6209, 6239, 6302, 7188, 7244, 7347, 7355, 7571, 7628, 7635, 8494, and 8854_SB</li> </ul>	71Y5545	1



Item #	FRUs	FRU #	CRU
4	<p>Optical drive, DVD-ROM 16X Max SATA</p> <ul style="list-style-type: none"> <li>• MT 3063:</li> <li>• MT 3285:</li> <li>• MT 4084:</li> <li>• MT 4086:</li> <li>• MT 4087:</li> <li>• MT 7358:</li> <li>• MT 7373:</li> <li>• MT 7484:</li> <li>• MT 7639:</li> <li>• MT 9728:</li> <li>• MT 9960:</li> <li>• MT 9965:</li> <li>• MT 3231, 4085, 6138, 6209, 6239, 6302, 7188, 7244, 7347, 7355, 7571, 7628, 7635, 8494, and 8854_SB</li> </ul>	41N3325	1
4	<p>Optical drive, DVD Recordable SATA/CD-RW Rambo 8 - SATA Vista &amp; non-Vista</p> <ul style="list-style-type: none"> <li>• MT 3063: BGH BHH B4M B5M BJJ BKJ BMJ BNJ BDJ BFJ B6U B6F B7U B7F B8U B8F B9U B9F BBU BBF BCS BCP BCL BCD BCY BSG BUG BSU BSF BSS BSP BSL BSD BSY BSM BSA BSQ BST BSC BSB BSH BSV BSK BSR BSE BSJ BVU BVF BWQ CBJ</li> <li>• MT 3285: A1U A1F A1S A1P A1L A1D A1Y A1G A1M A1A A1Q A1T A1C A1B A1H A1V A1K A1R A1E A1J A2Q</li> <li>• MT 4084:</li> <li>• MT 4086: A3G</li> <li>• MT 4087: A1G A2G</li> <li>• MT 7358:</li> <li>• MT 7373: E8A E8T E9A E9T EBA EBT ECA ECT EDA EDT D8M D8A D8T D9M E1M E2M E3U E3F E4U E4F E6U E6F E7U E7F EFQ EGU EGF EJV ELV EMV EPV EQV ETV EVV F4V F5V F6A F6T F7A F7T F8A F8T F9U F9F F9L FBU FBF FBL FEQ FFQ FCU FCF FGM</li> <li>• MT 7484: BQA BQT BRA BRT BPM BMM DIU DIF D3V D5V D7V E1U E1F D9U D9F E2M</li> <li>• MT 7639: A1U A1F A1S A1P A1L A1D A1Y A1M A1A A1Q A1T A1C A1B A1H A1V A1K A1R A1E A1J A2Q</li> <li>• MT 9728: AFA AFT ADA ADT A1J ABM ACM A6U A6F A7U A7F A8U A8F A9S A9P A9L A9D A9Y A5U A5F A5S A5P A5L A5D A5Y A5G A5M A5A A5Q A5T A5C A5B A5H A5V A5K A5R A5E A5J AGG ATG AUQ B1G</li> <li>• MT 9960:</li> <li>• MT 9965:</li> <li>• MT 3231, 4085, 6138, 6209, 6239, 6302, 7188, 7244, 7347, 7355, 7571, 7628, 7635, 8494, and 8854_SB</li> </ul>	43C1042	1

Item #	FRUs	FRU #	CRU
5	3.5" 1.44MB 2 mode FDD <ul style="list-style-type: none"> <li>• MT 3063: all models</li> <li>• MT 3285: all models</li> <li>• MT 4084: all models</li> <li>• MT 4086: all models</li> <li>• MT 4087: all models</li> <li>• MT 7358: all models</li> <li>• MT 7373: all models</li> <li>• MT 7484: all models</li> <li>• MT 7639: all models</li> <li>• MT 9728: all models</li> <li>• MT 9960: all models</li> <li>• MT 9965: all models</li> <li>• MT 3231, 4085, 6138, 6209, 6239, 6302, 7188, 7244, 7347, 7355, 7571, 7628, 7635, 8494, and 8854_SB</li> </ul>	40Y9105	2
5	3.5" 1.44MB 2 mode FDD <ul style="list-style-type: none"> <li>• MT 3063: all models</li> <li>• MT 3285: all models</li> <li>• MT 4084: all models</li> <li>• MT 4086: all models</li> <li>• MT 4087: all models</li> <li>• MT 7358: all models</li> <li>• MT 7373: all models</li> <li>• MT 7484: all models</li> <li>• MT 7639: all models</li> <li>• MT 9728: all models</li> <li>• MT 9960: all models</li> <li>• MT 9965: all models</li> <li>• MT 3231, 4085, 6138, 6209, 6239, 6302, 7188, 7244, 7347, 7355, 7571, 7628, 7635, 8494, and 8854_SB</li> </ul>	40Y9107	2
10	Hard disk drive, SATA 160GB 7200RPM/3Gb/8MB <ul style="list-style-type: none"> <li>• MT 3063:</li> <li>• MT 3285:</li> <li>• MT 4084:</li> <li>• MT 4086:</li> <li>• MT 4087:</li> <li>• MT 7358:</li> <li>• MT 7373: FEQ</li> <li>• MT 7484:</li> <li>• MT 7639:</li> <li>• MT 9728:</li> <li>• MT 9960:</li> <li>• MT 9965:</li> </ul>	40Y9035	1

Item #	FRUs	FRU #	CRU
	<ul style="list-style-type: none"> <li>MT 3231, 4085, 6138, 6209, 6239, 6302, 7188, 7244, 7347, 7355, 7571, 7628, 7635, 8494, and 8854_SB</li> </ul>		
10	<p>Hard disk drive, 160 GB 7200rpm SATA</p> <ul style="list-style-type: none"> <li>MT 3063:</li> <li>MT 3285:</li> <li>MT 4084:</li> <li>MT 4086:</li> <li>MT 4087:</li> <li>MT 7358:</li> <li>MT 7373: FEQ</li> <li>MT 7484:</li> <li>MT 7639:</li> <li>MT 9728:</li> <li>MT 9960:</li> <li>MT 9965:</li> <li>MT 3231, 4085, 6138, 6209, 6239, 6302, 7188, 7244, 7347, 7355, 7571, 7628, 7635, 8494, and 8854_SB</li> </ul>	53Y6837	1
10	<p>Hard disk drive, SATA 250GB 7200RPM/3Gb/8MB</p> <ul style="list-style-type: none"> <li>MT 3063: BVU BVF</li> <li>MT 3285: A1U A1F A1S A1P A1L A1D A1Y A1G A1M A1A A1Q A1T A1C A1B A1H A1V A1K A1R A1E A1J A2Q</li> <li>MT 4084: A1G</li> <li>MT 4086: A1G A2G A3G</li> <li>MT 4087:</li> <li>MT 7358:</li> <li>MT 7373: E8A E8T E9A E9T EBA EBT ECA ECT EDA EDT D8M D8A D8T D9M E5U E5F E6U E6F E7U E7F EFQ EGU EGF EHV ERV EWV F1V F6A F6T F7A F7T F8A F8T F9U F9F F9L FBU FBF FBL FFQ FCU FCF</li> <li>MT 7484: BQA BQT BNM DIU DIF D4V D6V D7V E1U E1F D9U D9F E2M</li> <li>MT 7639: A1U A1F A1S A1P A1L A1D A1Y A1M A1A A1Q A1T A1C A1B A1H A1V A1K A1R A1E A1J A2Q</li> <li>MT 9728: ADA ADT A6U A6F A7U A7F A8U A8F A5U A5F A5S A5P A5L A5D A5Y A5G A5M A5A A5Q A5T A5C A5B A5H A5V A5K A5R A5E A5J AGG AUQ B1G</li> <li>MT 9960: AkU AkF AkS AkP AkD AkY ALU ALF ALS</li> <li>MT 9965: A6U A6F A6S A6P A6D A6Y A9U A9F A9S</li> <li>MT 3231, 4085, 6138, 6209, 6239, 6302, 7188, 7244, 7347, 7355, 7571, 7628, 7635, 8494, and 8854_SB</li> </ul>	40Y9036	1

Item #	FRUs	FRU #	CRU
10	<p>Hard disk drive, 250 GB 7200rpm SATA</p> <ul style="list-style-type: none"> <li>• MT 3063: BVU BVF</li> <li>• MT 3285: A1U A1F A1S A1P A1L A1D A1Y A1G A1M A1A A1Q A1T A1C A1B A1H A1V A1K A1R A1E A1J A2Q</li> <li>• MT 4084: A1G</li> <li>• MT 4086: A1G A2G A3G</li> <li>• MT 4087:</li> <li>• MT 7358:</li> <li>• MT 7373: E8A E8T E9A E9T EBA EBT ECA ECT EDA EDT D8M D8A D8T D9M E5U E5F E6U E6F E7U E7F EFQ EGU EGF EHV ERV EWV F1V F6A F6T F7A F7T F8A F8T F9U F9F F9L FBU FBF FBL FFQ FCU FCF</li> <li>• MT 7484: BQA BQT BNM DIU DIF D4V D6V D7V E1U E1F D9U D9F E2M</li> <li>• MT 7639: A1U A1F A1S A1P A1L A1D A1Y A1M A1A A1Q A1T A1C A1B A1H A1V A1K A1R A1E A1J A2Q</li> <li>• MT 9728: ADA ADT A6U A6F A7U A7F A8U A8F A5U A5F A5S A5P A5L A5D A5Y A5G A5M A5A A5Q A5T A5C A5B A5H A5V A5K A5R A5E A5J AGG AUQ B1G</li> <li>• MT 9960: ALU ALF ALS</li> <li>• MT 9965: A9U A9F A9S</li> <li>• MT 3231, 4085, 6138, 6209, 6239, 6302, 7188, 7244, 7347, 7355, 7571, 7628, 7635, 8494, and 8854_SB</li> </ul>	45K0408	1
10	<p>Hard disk drive, SATA 320GB 7200rpm SATA/8MB</p> <ul style="list-style-type: none"> <li>• MT 3063: BGH BHH B6U B6F B7U B7F B8U B8F B9U B9F BBU BBF BCS BCP BCL BCD BCY BSG BUG BSU BSF BSS BSP BSL BSD BSY BSM BSA BSQ BST BSC BSB BSH BSV BSK BSR BSE BSJ BWQ</li> <li>• MT 3285:</li> <li>• MT 4084:</li> <li>• MT 4086:</li> <li>• MT 4087:</li> <li>• MT 7358: CTO A2G A3G</li> <li>• MT 7373: E1M E3U E3F E4U E4F EJV EKV ELV ENV EPV EQV ESV ETV EUV EVV F2V F3V F4V F5V FGM</li> <li>• MT 7484: BRA BRT BPM D8V D2V D3V D5V</li> <li>• MT 7639:</li> <li>• MT 9728: A3H A4H AFA AFT A1J A2J ABM ACM A9S A9P A9L A9D A9Y</li> <li>• MT 9960: ANU ANF ANS APU APF APS AMU AMF AMS</li> <li>• MT 9965: A7U A7F A7S A7P A7D A7Y ABU ABF ABS ACU ACF ACS</li> <li>• MT 3231, 4085, 6138, 6209, 6239, 6302, 7188, 7244, 7347, 7355, 7571, 7628, 7635, 8494, and 8854_SB</li> </ul>	87H4891	1

Item #	FRUs	FRU #	CRU
10	<p>Hard disk drive, 320 GB 7200rpm SATA</p> <ul style="list-style-type: none"> <li>• MT 3063: BGH BHH B6U B6F B7U B7F B8U B8F B9U B9F BBU BBF BCS BCP BCL BCD BCY BSG BUG BSU BSF BSS BSP BSL BSD BSY BSM BSA BSQ BST BSC BSB BSH BSV BSK BSR BSE BSJ BWQ</li> <li>• MT 3285:</li> <li>• MT 4084:</li> <li>• MT 4086:</li> <li>• MT 4087:</li> <li>• MT 7358: CTO A2G A3G</li> <li>• MT 7373: E1M E3U E3F E4U E4F EJV EKV ELV ENV EPV EQV ESV ETV EUV EVV F2V F3V F4V F5V FGM</li> <li>• MT 7484: BRA BRT BPM D8V D2V D3V D5V</li> <li>• MT 7639:</li> <li>• MT 9728: A3H A4H AFA AFT A1J A2J ABM ACM A9S A9P A9L A9D A9Y</li> <li>• MT 9960: ANU ANF ANS APU APF APS AMU AMF AMS</li> <li>• MT 9965: ABU ABF ABS ACU ACF ACS</li> <li>• MT 3231, 4085, 6138, 6209, 6239, 6302, 7188, 7244, 7347, 7355, 7571, 7628, 7635, 8494, and 8854_SB</li> </ul>	45K0409	1
10	<p>Hard disk drive, SATA 500GB 7200RPM/3Gb/s/8MB</p> <ul style="list-style-type: none"> <li>• MT 3063: B4M B5M BJJ BKJ BLJ BMJ BNJ BPJ BDJ BFJ CAJ CBJ</li> <li>• MT 3285:</li> <li>• MT 4084:</li> <li>• MT 4086:</li> <li>• MT 4087: A1G A2G</li> <li>• MT 7358:</li> <li>• MT 7373: E2M EMV</li> <li>• MT 7484: BMM</li> <li>• MT 7639:</li> <li>• MT 9728:</li> <li>• MT 9960:</li> <li>• MT 9965: A5G</li> <li>• MT 3231, 4085, 6138, 6209, 6239, 6302, 7188, 7244, 7347, 7355, 7571, 7628, 7635, 8494, and 8854_SB</li> </ul>	41X5582	1
10	<p>Hard disk drive, 500GB 7200rpm SATA</p> <ul style="list-style-type: none"> <li>• MT 3063: B4M B5M BJJ BKJ BLJ BMJ BNJ BPJ BDJ BFJ CAJ CBJ</li> <li>• MT 3285:</li> <li>• MT 4084:</li> <li>• MT 4086:</li> <li>• MT 4087: A1G A2G</li> <li>• MT 7358:</li> <li>• MT 7373: E2M EMV</li> <li>• MT 7484: BMM</li> <li>• MT 7639:</li> <li>• MT 9728: ATG</li> </ul>	45K0410	1

Item #	FRUs	FRU #	CRU
	<ul style="list-style-type: none"> <li>• MT 9960:</li> <li>• MT 9965: A8G</li> <li>• MT 3231, 4085, 6138, 6209, 6239, 6302, 7188, 7244, 7347, 7355, 7571, 7628, 7635, 8494, and 8854_SB</li> </ul>		
10	<p>Hard disk drive, SATA 1TB 7200RPM/3Gb/8MB</p> <ul style="list-style-type: none"> <li>• MT 3063:</li> <li>• MT 3285:</li> <li>• MT 4084:</li> <li>• MT 4086:</li> <li>• MT 4087:</li> <li>• MT 7358:</li> <li>• MT 7373:</li> <li>• MT 7484:</li> <li>• MT 7639: 91Z</li> <li>• MT 9728: 91Z</li> <li>• MT 9960: 91Z</li> <li>• MT 9965: 91Z</li> <li>• MT 3231, 4085, 6138, 6209, 6239, 6302, 7188, 7244, 7347, 7355, 7571, 7628, 7635, 8494, and 8854_SB</li> </ul>	45C5973	1
10	<p>Hard disk drive, 1TB 7200rpm SATA</p> <ul style="list-style-type: none"> <li>• MT 3063: 91Z</li> <li>• MT 3285: 91Z</li> <li>• MT 4084:</li> <li>• MT 4086:</li> <li>• MT 4087:</li> <li>• MT 7358:</li> <li>• MT 7373: 91Z</li> <li>• MT 7484: 91Z</li> <li>• MT 7639: 91Z</li> <li>• MT 9728: 91Z</li> <li>• MT 9960: 91Z</li> <li>• MT 9965: 91Z</li> <li>• MT 3231, 4085, 6138, 6209, 6239, 6302, 7188, 7244, 7347, 7355, 7571, 7628, 7635, 8494, and 8854_SB</li> </ul>	45K0412	1

Item #	FRUs	FRU #	CRU
10	Hard disk drive, 64GB1.8" SSD RBX MLC <ul style="list-style-type: none"> <li>• MT 3063:</li> <li>• MT 3285:</li> <li>• MT 4084:</li> <li>• MT 4086:</li> <li>• MT 4087:</li> <li>• MT 7358:</li> <li>• MT 7373:</li> <li>• MT 7484:</li> <li>• MT 7639:</li> <li>• MT 9728:</li> <li>• MT 9960:</li> <li>• MT 9965:</li> <li>• MT 3231, 4085, 6138, 6209, 6239, 6302, 7188, 7244, 7347, 7355, 7571, 7628, 7635, 8494, and 8854_SB</li> </ul>	41W0520	1
10	Hard disk drive, SATA 150GB 10KRPM/3GB/16M <ul style="list-style-type: none"> <li>• MT 3063:</li> <li>• MT 3285:</li> <li>• MT 4084:</li> <li>• MT 4086:</li> <li>• MT 4087:</li> <li>• MT 7358:</li> <li>• MT 7373:</li> <li>• MT 7484:</li> <li>• MT 7639:</li> <li>• MT 9728:</li> <li>• MT 9960:</li> <li>• MT 9965:</li> <li>• MT 3231, 4085, 6138, 6209, 6239, 6302, 7188, 7244, 7347, 7355, 7571, 7628, 7635, 8494, and 8854_SB</li> </ul>	46R6400	1
11	System board, Panda GA Level (PCB 1.1) sub from 64Y3053 Intel Q45 is AMT <ul style="list-style-type: none"> <li>• MT 3063: BGH BHH B4M B5M BJJ BKJ BLJ BMJ BNJ BPJ BDJ BFJ B6U B6F B7U B7F B8U B8F B9U B9F BBU BBF BCS BCP BCL BCD BCY BSG BUG BSU BSF BSS BSP BSL BSD BSY BSM BSA BSQ BST BSC BSB BSH BSV BSK BSR BSE BSJ BVU BVF BWQ CAJ CBJ</li> <li>• MT 3285: A1U A1F A1S A1P A1L A1D A1Y A1G A1M A1A A1Q A1T A1C A1B A1H A1V A1K A1R A1E A1J A2Q</li> <li>• MT 4084: A1G</li> <li>• MT 4086: A1G A2G A3G</li> <li>• MT 4087: A1G A2G</li> <li>• MT 7358: A2G A3G</li> <li>• MT 7373: E8A E8T E9A E9T EBA EBT ECA ECT EDA EDT D8M D8A D8T D9M E1M E2M E3U E3F E4U E4F E5U E5F E6U E6F E7U E7F EFQ EGU EGF EHV EJV EKV ELV EMV ENV EPV EQV ERV ESV ETV EUV EVV EWW</li> </ul>	64Y4486	N

Item #	FRUs	FRU #	CRU
	<p>F1V F2V F3V F4V F5V F6A F6T F7A F7T F8A F8T F9U F9F F9L FBU            FBF FBL FEQ FFQ FCU FCF FGM</p> <ul style="list-style-type: none"> <li>• MT 7484: BQA BQT BRA BRT BNM BPM BMM D1U DIF D8V D2V D3V D4V D5V D6V D7V E1U E1F D9U D9F E2M</li> <li>• MT 7639: A1U A1F A1S A1P A1L A1D A1Y A1M A1A A1Q A1T A1C A1B A1H A1V A1K A1R A1E A1J A2Q</li> <li>• MT 9728: A3H A4H AFA AFT ADA ADT A1J A2J ABM ACM A6U A6F A7U A7F A8U A8F A9S A9P A9L A9D A9Y A5U A5F A5S A5P A5L A5D A5Y A5G A5M A5A A5Q A5T A5C A5B A5H A5V A5K A5R A5E A5J AGG ATG AUQ B1G</li> <li>• MT 9960: AkU AkF AkS AkP AkD AkY ALU ALF ALS ANU ANF ANS APU APF APS AMU AMF AMS</li> <li>• MT 9965: A5G A6U A6F A6S A6P A6D A6Y A7U A7F A7S A7P A7D A7Y A8G A9U A9F A9S ABU ABF ABS ACU ACF ACS</li> <li>• MT 3231, 4085, 6138, 6209, 6239, 6302, 7188, 7244, 7347, 7355, 7571, 7628, 7635, 8494, and 8854_SB</li> </ul>		
11	<p>System board, Panda GA Level (PCB 1.1) sub from 64Y3053 Intel Q45 is AMT</p> <ul style="list-style-type: none"> <li>• MT 3063: BGH BHH B4M B5M BJJ BKJ BLJ BMJ BNJ BPJ BDJ BFJ B6U B6F B7U B7F B8U B8F B9U B9F BBU BBF BCS BCP BCL BCD BCY BSG BUG BSU BSF BSS BSP BSL BSD BSY BSM BSA BSQ BST BSC BSB BSH BSV BSK BSR BSE BSJ BVU BVF BWQ CAJ CBJ</li> <li>• MT 3285: A1U A1F A1S A1P A1L A1D A1Y A1G A1M A1A A1Q A1T A1C A1B A1H A1V A1K A1R A1E A1J A2Q</li> <li>• MT 4084: A1G</li> <li>• MT 4086: A1G A2G A3G</li> <li>• MT 4087: A1G A2G</li> <li>• MT 7358: A2G A3G</li> <li>• MT 7373: E8A E8T E9A E9T EBA EBT ECA ECT EDA EDT D8M D8A D8T D9M E1M E2M E3U E3F E4U E4F E5U E5F E6U E6F E7U E7F EFQ EGU EGF EHV EJV EKV ELV EMV ENV EPV EQV ERV ESV ETV EUV EVV EWW F1V F2V F3V F4V F5V F6A F6T F7A F7T F8A F8T F9U F9F F9L FBU FBF FBL FEQ FFQ FCU FCF FGM</li> <li>• MT 7484: BQA BQT BRA BRT BNM BPM BMM D1U DIF D8V D2V D3V D4V D5V D6V D7V E1U E1F D9U D9F E2M</li> <li>• MT 7639: A1U A1F A1S A1P A1L A1D A1Y A1M A1A A1Q A1T A1C A1B A1H A1V A1K A1R A1E A1J A2Q</li> <li>• MT 9728: A3H A4H AFA AFT ADA ADT A1J A2J ABM ACM A6U A6F A7U A7F A8U A8F A9S A9P A9L A9D A9Y A5U A5F A5S A5P A5L A5D A5Y A5G A5M A5A A5Q A5T A5C A5B A5H A5V A5K A5R A5E A5J AGG ATG AUQ B1G</li> <li>• MT 9960: AkU AkF AkS AkP AkD AkY ALU ALF ALS ANU ANF ANS APU APF APS AMU AMF AMS</li> <li>• MT 9965: A5G A6U A6F A6S A6P A6D A6Y A7U A7F A7S A7P A7D A7Y A8G A9U A9F A9S ABU ABF ABS ACU ACF ACS</li> <li>• MT 3231, 4085, 6138, 6209, 6239, 6302, 7188, 7244, 7347, 7355, 7571, 7628, 7635, 8494, and 8854_SB</li> </ul>	64Y9766	N



Item #	FRUs	FRU #	CRU
11	<p>System board, Russian only system planar Panda Intel Q45(GIGA) TPM Disable</p> <ul style="list-style-type: none"> <li>• MT 3063:</li> <li>• MT 3285:</li> <li>• MT 4084:</li> <li>• MT 4086:</li> <li>• MT 4087:</li> <li>• MT 7358:</li> <li>• MT 7373:</li> <li>• MT 7484:</li> <li>• MT 7639:</li> <li>• MT 9728:</li> <li>• MT 9960:</li> <li>• MT 9965:</li> <li>• MT 3231, 4085, 6138, 6209, 6239, 6302, 7188, 7244, 7347, 7355, 7571, 7628, 7635, 8494, and 8854_SB</li> </ul>	64Y5546	N
11	<p>System board, system planar Panda Intel Q45(GIGA) TPM Disable(PCB1.1) support Win7</p> <ul style="list-style-type: none"> <li>• MT 3063: BGH BHH B4M B5M BJJ BKJ BLJ BMJ BNJ BPJ BDJ BFJ B6U B6F B7U B7F B8U B8F B9U B9F BBU BBF BCS BCP BCL BCD BCY BSG BUG BSU BSF BSS BSP BSL BSD BSY BSM BSA BSQ BST BSC BSB BSH BSV BSK BSR BSE BSJ BVU BVF BWQ CAJ CBJ</li> <li>• MT 3285: A1U A1F A1S A1P A1L A1D A1Y A1G A1M A1A A1Q A1T A1C A1B A1H A1V A1K A1R A1E A1J A2Q</li> <li>• MT 4084:</li> <li>• MT 4086:</li> <li>• MT 4087: A1G A2G</li> <li>• MT 7358:</li> <li>• MT 7373: E8A E8T E9A E9T EBA EBT ECA ECT EDA EDT D8M D8A D8T D9M E1M E2M E3U E3F E4U E4F E5U E5F E6U E6F E7U E7F EFQ EGU EGF EHV EJV EKV ELV EMV ENV EPV EQV ERV ESV ETV EUV EVV EWW F1V F2V F3V F4V F5V F6A F6T F7A F7T F8A F8T F9U F9F F9L FBU FBF FBL FEQ FFQ FCU FCF FGM</li> <li>• MT 7484: BQA BQT BRA BRT BNM BPM BMM D1U DIF D8V D2V D3V D4V D5V D6V D7V E1U E1F D9U D9F E2M</li> <li>• MT 7639: A1U A1F A1S A1P A1L A1D A1Y A1M A1A A1Q A1T A1C A1B A1H A1V A1K A1R A1E A1J A2Q</li> <li>• MT 9728: A3H A4H AFA AFT ADA ADT A1J A2J ABM ACM A6U A6F A7U A7F A8U A8F A9S A9P A9L A9D A9Y A5U A5F A5S A5P A5L A5D A5Y A5G A5M A5A A5Q A5T A5C A5B A5H A5V A5K A5R A5E A5J AGG ATG AUQ B1G</li> <li>• MT 9960:</li> <li>• MT 9965:</li> <li>• MT 3231, 4085, 6138, 6209, 6239, 6302, 7188, 7244, 7347, 7355, 7571, 7628, 7635, 8494, and 8854_SB</li> </ul>	64Y9774	N

Item #	FRUs	FRU #	CRU
11	<p>System board, Panda GA Level</p> <ul style="list-style-type: none"> <li>• MT 3063: BGH BHH B4M B5M BJJ BKJ BLJ BMJ BNJ BPJ BDJ BFJ B6U B6F B7U B7F B8U B8F B9U B9F BBU BBF BCS BCP BCL BCD BCY BSG BUG BSU BSF BSS BSP BSL BSD BSY BSM BSA BSQ BST BSC BSB BSH BSV BSK BSR BSE BSJ BVU BVF BWQ CAJ CBJ</li> <li>• MT 3285: A1U A1F A1S A1P A1L A1D A1Y A1G A1M A1A A1Q A1T A1C A1B A1H A1V A1K A1R A1E A1J A2Q</li> <li>• MT 4084: A1G</li> <li>• MT 4086: A1G A2G A3G</li> <li>• MT 4087: A1G A2G</li> <li>• MT 7358: A2G A3G</li> <li>• MT 7373: E8A E8T E9A E9T EBA EBT ECA ECT EDA EDT D8M D8A D8T D9M E1M E2M E3U E3F E4U E4F E5U E5F E6U E6F E7U E7F EFQ EGU EGF EHV EJV EKV ELV EMV ENV EPV EQV ERV ESV ETV EUV EVV EWW F1V F2V F3V F4V F5V F6A F6T F7A F7T F8A F8T F9U F9F F9L FBU FBF FBL FEQ FFQ FCU FCF FGM</li> <li>• MT 7484: BQA BQT BRA BRT BNM BPM BMM D1U DIF D8V D2V D3V D4V D5V D6V D7V E1U E1F D9U D9F E2M</li> <li>• MT 7639: A1U A1F A1S A1P A1L A1D A1Y A1M A1A A1Q A1T A1C A1B A1H A1V A1K A1R A1E A1J A2Q</li> <li>• MT 9728: A3H A4H AFA AFT ADA ADT A1J A2J ABM ACM A6U A6F A7U A7F A8U A8F A9S A9P A9L A9D A9Y A5U A5F A5S A5P A5L A5D A5Y A5G A5M A5A A5Q A5T A5C A5B A5H A5V A5K A5R A5E A5J AGG ATG AUQ B1G</li> <li>• MT 9960: AkU AkF AkS AkP AkD AkY ALU ALF ALS ANU ANF ANS APU APF APS AMU AMF AMS</li> <li>• MT 9965: A5G A6U A6F A6S A6P A6D A6Y A7U A7F A7S A7P A7D A7Y A8G A9U A9F A9S ABU ABF ABS ACU ACF ACS</li> <li>• MT 3231, 4085, 6138, 6209, 6239, 6302, 7188, 7244, 7347, 7355, 7571, 7628, 7635, 8494, and 8854_SB</li> </ul>	64Y3053	N
11	<p>System board, system planar Panda Intel Q45(GIGA) TPM Disable(PCB1.2) support Win7</p> <ul style="list-style-type: none"> <li>• MT 3063: BGH BHH B4M B5M BJJ BKJ BLJ BMJ BNJ BPJ BDJ BFJ B6U B6F B7U B7F B8U B8F B9U B9F BBU BBF BCS BCP BCL BCD BCY BSG BUG BSU BSF BSS BSP BSL BSD BSY BSM BSA BSQ BST BSC BSB BSH BSV BSK BSR BSE BSJ BVU BVF BWQ CAJ CBJ</li> <li>• MT 3285: A1U A1F A1S A1P A1L A1D A1Y A1G A1M A1A A1Q A1T A1C A1B A1H A1V A1K A1R A1E A1J A2Q</li> <li>• MT 4084:</li> <li>• MT 4086:</li> <li>• MT 4087: A1G A2G</li> <li>• MT 7358:</li> <li>• MT 7373: E8A E8T E9A E9T EBA EBT ECA ECT EDA EDT D8M D8A D8T D9M E1M E2M E3U E3F E4U E4F E5U E5F E6U E6F E7U E7F EFQ EGU EGF EHV EJV EKV ELV EMV ENV EPV EQV ERV ESV ETV EUV EVV EWW F1V F2V F3V F4V F5V F6A F6T F7A F7T F8A F8T F9U F9F F9L FBU FBF FBL FEQ FFQ FCU FCF FGM</li> <li>• MT 7484: BQA BQT BRA BRT BNM BPM BMM D1U DIF D8V D2V D3V D4V D5V D6V D7V E1U E1F D9U D9F E2M</li> </ul>	89Y9309	N

Item #	FRUs	FRU #	CRU
	<ul style="list-style-type: none"> <li>• MT 7639: A1U A1F A1S A1P A1L A1D A1Y A1M A1A A1Q A1T A1C A1B A1H A1V A1K A1R A1E A1J A2Q</li> <li>• MT 9728: A3H A4H AFA AFT ADA ADT A1J A2J ABM ACM A6U A6F A7U A7F A8U A8F A9S A9P A9L A9D A9Y A5U A5F A5S A5P A5L A5D A5Y A5G A5M A5A A5Q A5T A5C A5B A5H A5V A5K A5R A5E A5J AGG ATG AUQ B1G</li> <li>• MT 9960:</li> <li>• MT 9965:</li> <li>• MT 3231, 4085, 6138, 6209, 6239, 6302, 7188, 7244, 7347, 7355, 7571, 7628, 7635, 8494, and 8854_SB</li> </ul>		
11	<p>System board, system planar Panda Intel Q45 (USI) GA Level (PCB Ver. 1.2) support Win7</p> <ul style="list-style-type: none"> <li>• MT 3063: BGH BHH B4M B5M BJJ BKJ BLJ BMJ BNJ BPJ BDJ BFJ B6U B6F B7U B7F B8U B8F B9U B9F BBU BBF BCS BCP BCL BCD BCY BSG BUG BSU BSF BSS BSP BSL BSD BSY BSM BSA BSQ BST BSC BSB BSH BSV BSK BSR BSE BSJ BVU BVF BWQ CAJ CBJ</li> <li>• MT 3285: A1U A1F A1S A1P A1L A1D A1Y A1G A1M A1A A1Q A1T A1C A1B A1H A1V A1K A1R A1E A1J A2Q</li> <li>• MT 4084:</li> <li>• MT 4086:</li> <li>• MT 4087: A1G A2G</li> <li>• MT 7358:</li> <li>• MT 7373: E8A E8T E9A E9T EBA EBT ECA ECT EDA EDT D8M D8A D8T D9M E1M E2M E3U E3F E4U E4F E5U E5F E6U E6F E7U E7F EFQ EGU EGF EHV EJV EKV ELV EMV ENV EPV EQV ERV ESV ETV EUV EVV EWW F1V F2V F3V F4V F5V F6A F6T F7A F7T F8A F8T F9U F9F F9L FBU FBF FBL FEQ FFQ FCU FCF FGM</li> <li>• MT 7484: BQA BQT BRA BRT BNM BPM BMM D1U DIF D8V D2V D3V D4V D5V D6V D7V E1U E1F D9U D9F E2M</li> <li>• MT 3063: BGH BHH B4M B5M BJJ BKJ BLJ BMJ BNJ BPJ BDJ BFJ B6U B6F B7U B7F B8U B8F B9U B9F BBU BBF BCS BCP BCL BCD BCY BSG BUG BSU BSF BSS BSP BSL BSD BSY BSM BSA BSQ BST BSC BSB BSH BSV BSK BSR BSE BSJ BVU BVF BWQ CAJ CBJ</li> <li>• MT 3285: A1U A1F A1S A1P A1L A1D A1Y A1G A1M A1A A1Q A1T A1C A1B A1H A1V A1K A1R A1E A1J A2Q</li> <li>• MT 4084:</li> <li>• MT 4086:</li> <li>• MT 4087: A1G A2G</li> <li>• MT 7358:</li> <li>• MT 7373: E8A E8T E9A E9T EBA EBT ECA ECT EDA EDT D8M D8A D8T D9M E1M E2M E3U E3F E4U E4F E5U E5F E6U E6F E7U E7F EFQ EGU EGF EHV EJV EKV ELV EMV ENV EPV EQV ERV ESV ETV EUV EVV EWW F1V F2V F3V F4V F5V F6A F6T F7A F7T F8A F8T F9U F9F F9L FBU FBF FBL FEQ FFQ FCU FCF FGM</li> <li>• MT 7484: BQA BQT BRA BRT BNM BPM BMM D1U DIF D8V D2V D3V D4V D5V D6V D7V E1U E1F D9U D9F E2M</li> <li>• MT 7639: A1U A1F A1S A1P A1L A1D A1Y A1M A1A A1Q A1T A1C A1B A1H A1V A1K A1R A1E A1J A2Q</li> <li>• MT 9728: A3H A4H AFA AFT ADA ADT A1J A2J ABM ACM A6U A6F A7U A7F A8U A8F A9S A9P A9L A9D A9Y A5U A5F A5S A5P A5L A5D A5Y</li> </ul>	89Y9301	N

Item #	FRUs	FRU #	CRU
	<p>A5G A5M A5A A5Q A5T A5C A5B A5H A5V A5K A5R A5E A5J AGG ATG AUQ B1G</p> <ul style="list-style-type: none"> <li>• MT 9960:</li> <li>• MT 9965:</li> <li>• MT 3231, 4085, 6138, 6209, 6239, 6302, 7188, 7244, 7347, 7355, 7571, 7628, 7635, 8494, and 8854_SB</li> </ul>		
12	<p>FRU .rear I/O shield, ATX, Q45, FOF, with USB number</p> <ul style="list-style-type: none"> <li>• MT 3063: all models</li> <li>• MT 3285: all models</li> <li>• MT 4084: all models</li> <li>• MT 4086: all models</li> <li>• MT 4087: all models</li> <li>• MT 7358: all models</li> <li>• MT 7373: all models</li> <li>• MT 7484: all models</li> <li>• MT 7639: all models</li> <li>• MT 9728: all models</li> <li>• MT 9960: all models</li> <li>• MT 9965: all models</li> <li>• MT 3231, 4085, 6138, 6209, 6239, 6302, 7188, 7244, 7347, 7355, 7571, 7628, 7635, 8494, and 8854_SB</li> </ul>	45K6267	N
13	<p>Power supply, 280 Watt ATX power supply - WW, robust</p> <ul style="list-style-type: none"> <li>• MT 3063: BGH BHH B4M B5M B6U B6F B7U B7F B8U B8F B9U B9F BBU BBF BCS BCP BCL BCD BCY BSG BUG BSU BSF BSS BSP BSL BSD BSY BSM BSA BSQ BST BSC BSB BSH BSV BSK BSR BSE BSJ BVU BVF BWQCAJ CBJ</li> <li>• MT 3285: A1U A1F A1S A1P A1L A1D A1Y A1G A1M A1A A1Q A1T A1C A1B A1H A1V A1K A1R A2Q</li> <li>• MT 4084: A1G</li> <li>• MT 4086: A1G A2G A3G</li> <li>• MT 4087: A1G A2G</li> <li>• MT 7358: A2G A3G</li> <li>• MT 7373: E8A E8T E9A E9T EBA EBT ECA ECT EDA EDT D8M D8A D8T D9M E1M E2M E3U E3F E4U E4F E5U E5F E6U E6F E7U E7F EFQ EGU EGF EHV EJV EKV ELV EMV ENV EPV EQV ERV ESV ETV EUV EVV EWW F1V F2V F3V F4V F5V F6A F6T F7A F7T F8A F8T F9U F9F F9L FBU FBF FBL FEQ FFQ FCU FCF FGM</li> <li>• MT 7484: BQA BQT BRA BRT BNM BPM BMM DIU DIF D8V D2V D3V D4V D5V D6V D7V E1U E1F D9U D9F E2M</li> <li>• MT 7639: A1U A1F A1S A1P A1L A1D A1Y A1M A1A A1Q A1T A1C A1B A1H A1V A1K A1R A1E A1J A2Q</li> <li>• MT 9728: A3H A4H AFA AFT ADA ADT ABM ACM A6U A6F A7U A7F A8U A8F A9S A9P A9L A9D A9Y A5U A5F A5S A5P A5L A5D A5Y A5G A5M A5A A5Q A5T A5C A5B A5H A5V A5K A5R AGG ATG AUQ B1G</li> <li>• MT 9960: AkU AkF AkS AkP AkD AkY ALU ALF ALS ANU ANF ANS APU APF APS AMU AMF AMS</li> </ul>	41A9684	2

Item #	FRUs	FRU #	CRU
	<ul style="list-style-type: none"> <li>MT 9965: A5G A6U A6F A6S A6P A6D A6Y A7U A7F A7S A7P A7D A7Y A8G A9U A9F A9S ABU ABF ABS ACU ACF ACS</li> <li>MT 3231, 4085, 6138, 6209, 6239, 6302, 7188, 7244, 7347, 7355, 7571, 7628, 7635, 8494, and 8854_SB</li> <li></li> </ul>		
13	<p>Power supply, ( Tower ) 280 Watt ATX power supply for Europe</p> <ul style="list-style-type: none"> <li>MT 3063: BGH BHH B4M B5M B6U B6F B7U B7F B8U B8F B9U B9F BBU BBF BCS BCP BCL BCD BCY BSG BUG BSU BSF BSS BSP BSL BSD BSY BSM BSA BSQ BST BSC BSB BSH BSV BSK BSR BSE BVU BVF BWQ</li> <li>MT 3285: A1U A1F A1S A1P A1L A1D A1Y A1G A1M A1A A1Q A1T A1C A1B A1H A1V A1K A1R A2Q</li> <li>MT 4084: A1G</li> <li>MT 4086: A1G A2G A3G</li> <li>MT 4087: A1G A2G</li> <li>MT 7358: A2G A3G</li> <li>MT 7373: E8A E8T E9A E9T EBA EBT ECA ECT EDA EDT D8M D8A D8T D9M E1M E2M E3U E3F E4U E4F E5U E5F E6U E6F E7U E7F EFQ EGU EGF EHV EJV EKV ELV EMV ENV EPV EQV ERV ESV ETV EUV EVV EWW F1V F2V F3V F4V F5V F6A F6T F7A F7T F8A F8T F9U F9F F9L FBU FBF FBL FEQ FFQ FCU FCF FGM</li> <li>MT 7484: BQA BQT BRA BRT BNM BPM BMM DIU DIF D8V D2V D3V D4V D5V D6V D7V E1U E1F D9U D9F E2M</li> <li>MT 7639: A1U A1F A1S A1P A1L A1D A1Y A1M A1A A1Q A1T A1C A1B A1H A1V A1K A1R A1E A1J A2Q</li> <li>MT 9728: A3H A4H AFA AFT ADA ADT ABM ACM A6U A6F A7U A7F A8U A8F A9S A9P A9L A9D A9Y A5U A5F A5S A5P A5L A5D A5Y A5G A5M A5A A5Q A5T A5C A5B A5H A5V A5K A5R AGG ATG AUQ B1G</li> <li>MT 9960: AKU AKF AKS AKP AKD AKY ALU ALF ALS ANU ANF ANS APU APF APS AMU AMF AMS</li> <li>MT 9965: A5G A6U A6F A6S A6P A6D A6Y A7U A7F A7S A7P A7D A7Y A8G A9U A9F A9S ABU ABF ABS ACU ACF ACS</li> <li>MT 3231, 4085, 6138, 6209, 6239, 6302, 7188, 7244, 7347, 7355, 7571, 7628, 7635, 8494, and 8854_SB</li> </ul>	45J9436	2
13	<p>Power supply, ( Tower ) 450 Watt ATX power supply (80 plus) - WW, robust, JP</p> <ul style="list-style-type: none"> <li>MT 3063: BGH BHH B4M B5M B6U B6F B7U B7F B8U B8F B9U B9F BBU BBF BCS BCP BCL BCD BCY BSG BUG BSU BSF BSS BSP BSL BSD BSY BSM BSA BSQ BST BSC BSB BSH BSV BSK BSR BSE BSJ BVU BVF BWQCAJ CBJ</li> <li>MT 3285: A1U A1F A1S A1P A1L A1D A1Y A1G A1M A1A A1Q A1T A1C A1B A1H A1V A1K A1R A2Q</li> <li>MT 4084: A1G</li> <li>MT 4086: A1G A2G A3G</li> <li>MT 4087: A1G A2G</li> <li>MT 7358: A2G A3G</li> <li>MT 7373: E8A E8T E9A E9T EBA EBT ECA ECT EDA EDT D8M D8A D8T D9M E1M E2M E3U E3F E4U E4F E5U E5F E6U E6F E7U E7F EFQ EGU EGF EHV EJV EKV ELV EMV ENV EPV EQV ERV ESV ETV EUV EVV EWW</li> </ul>	41A9721	2

Item #	FRUs	FRU #	CRU
	<p>F1V F2V F3V F4V F5V F6A F6T F7A F7T F8A F8T F9U F9F F9L FBU            FBF FBL FEQ FFQ FCU FCF FGM</p> <ul style="list-style-type: none"> <li>• MT 7484: BQA BQT BRA BRT BNM BPM BMM DIU DIF D8V D2V D3V D4V D5V D6V D7V E1U E1F D9U D9F E2M</li> <li>• MT 7639: A1U A1F A1S A1P A1L A1D A1Y A1M A1A A1Q A1T A1C A1B A1H A1V A1K A1R A1E A1J A2Q</li> <li>• MT 9728: A3H A4H AFA AFT ADA ADT ABM ACM A6U A6F A7U A7F A8U A8F A9S A9P A9L A9D A9Y A5U A5F A5S A5P A5L A5D A5Y A5G A5M A5A A5Q A5T A5C A5B A5H A5V A5K A5R AGG ATG AUQ B1G</li> <li>• MT 9960: AkU AkF AkS AkP AkD AkY ALU ALF ALS ANU ANF ANS APU APF APS AMU AMF AMS</li> <li>• MT 9965: A5G A6U A6F A6S A6P A6D A6Y A7U A7F A7S A7P A7D A7Y A8G A9U A9F A9S ABU ABF ABS ACU ACF ACS</li> <li>• MT 3231, 4085, 6138, 6209, 6239, 6302, 7188, 7244, 7347, 7355, 7571, 7628, 7635, 8494, and 8854_SB</li> </ul>		
13	<p>Power supply, ( Tower ) 280 Watt ATX power supply (80 plus) - WW, robust, JP</p> <ul style="list-style-type: none"> <li>• MT 3063: BGH BHH B4M B5M B6U B6F B7U B7F B8U B8F B9U B9F BBU BBF BCS BCP BCL BCD BCY BSG BUG BSU BSF BSS BSP BSL BSD BSY BSM BSA BSQ BST BSC BSB BSH BSV BSK BSR BSE BSJ BVU BVF BWQCAJ CBJ</li> <li>• MT 3285: A1U A1F A1S A1P A1L A1D A1Y A1G A1M A1A A1Q A1T A1C A1B A1H A1V A1K A1R A2Q</li> <li>• MT 4084: A1G</li> <li>• MT 4086: A1G A2G A3G</li> <li>• MT 4087: A1G A2G</li> <li>• MT 7358: A2G A3G</li> <li>• MT 7373: E8A E8T E9A E9T EBA EBT ECA ECT EDA EDT D8M D8A D8T D9M E1M E2M E3U E3F E4U E4F E5U E5F E6U E6F E7U E7F EFQ EGU EGF EHV EJV EKV ELV EMV ENV EPV EQV ERV ESV ETV EUV EVV EWV F1V F2V F3V F4V F5V F6A F6T F7A F7T F8A F8T F9U F9F F9L FBU FBF FBL FEQ FFQ FCU FCF FGM</li> <li>• MT 7484: BQA BQT BRA BRT BNM BPM BMM DIU DIF D8V D2V D3V D4V D5V D6V D7V E1U E1F D9U D9F E2M</li> <li>• MT 7639: A1U A1F A1S A1P A1L A1D A1Y A1M A1A A1Q A1T A1C A1B A1H A1V A1K A1R A1E A1J A2Q MT 7639: A1U A1F A1S A1P A1L A1D A1Y A1M A1A A1Q A1T A1C A1B A1H A1V A1K A1R A1E A1J A2Q</li> <li>• MT 9728: A3H A4H AFA AFT ADA ADT ABM ACM A6U A6F A7U A7F A8U A8F A9S A9P A9L A9D A9Y A5U A5F A5S A5P A5L A5D A5Y A5G A5M A5A A5Q A5T A5C A5B A5H A5V A5K A5R AGG ATG AUQ B1G</li> <li>• MT 9960: AkU AkF AkS AkP AkD AkY ALU ALF ALS ANU ANF ANS APU APF APS AMU AMF AMS</li> <li>• MT 9965: A5G A6U A6F A6S A6P A6D A6Y A7U A7F A7S A7P A7D A7Y A8G A9U A9F A9S ABU ABF ABS ACU ACF ACS</li> <li>• MT 3231, 4085, 6138, 6209, 6239, 6302, 7188, 7244, 7347, 7355, 7571, 7628, 7635, 8494, and 8854_SB</li> </ul>	41A9665	2

Item #	FRUs	FRU #	CRU
13	<p>Power supply, ATX 320W 88% PSU for TW -- power supply WW, robust, JP</p> <ul style="list-style-type: none"> <li>• MT 3063: BGH BHH B4M B5M B6U B6F B7U B7F B8U B8F B9U B9F BBU BBF BCS BCP BCL BCD BCY BSG BUG BSU BSF BSS BSP BSL BSD BSY BSM BSA BSQ BST BSC BSB BSH BSV BSK BSR BSE BSJ BVU BVF BWQ CAJ CBJ</li> <li>• MT 3285: A1U A1F A1S A1P A1L A1D A1Y A1G A1M A1A A1Q A1T A1C A1B A1H A1V A1K A1R A2Q</li> <li>• MT 4084: A1G</li> <li>• MT 4086: A1G A2G A3G</li> <li>• MT 4087: A1G A2G</li> <li>• MT 7358: A2G A3G</li> <li>• MT 7373: E8A E8T E9A E9T EBA EBT ECA ECT EDA EDT D8M D8A D8T D9M E1M E2M E3U E3F E4U E4F E5U E5F E6U E6F E7U E7F EFQ EGU EGF EHV EJV EKV ELV EMV ENV EPV EQV ERV ESV ETV EUV EVV EWW F1V F2V F3V F4V F5V F6A F6T F7A F7T F8A F8T F9U F9F F9L FBU FBF FBL FEQ FFQ FCU FCF FGM</li> <li>• MT 7484: BQA BQT BRA BRT BNM BPM BMM DIU DIF D8V D2V D3V D4V D5V D6V D7V E1U E1F D9U D9F E2M</li> <li>• MT 7639: A1U A1F A1S A1P A1L A1D A1Y A1M A1A A1Q A1T A1C A1B A1H A1V A1K A1R A1E A1J A2Q &lt;</li> <li>• MT 9728: A3H A4H AFA AFT ADA ADT ABM ACM A6U A6F A7U A7F A8U A8F A9S A9P A9L A9D A9Y A5U A5F A5S A5P A5L A5D A5Y A5G A5M A5A A5Q A5T A5C A5B A5H A5V A5K A5R AGG ATG AUQ B1G</li> <li>• MT 9960: AKU AKF AKS AKP AKD AKY ALU ALF ALS ANU ANF ANS APU APF APS AMU AMF AMS</li> <li>• MT 9965: A5G A6U A6F A6S A6P A6D A6Y A7U A7F A7S A7P A7D A7Y A8G A9U A9F A9S ABU ABF ABS ACU ACF ACS</li> <li>• MT 3231, 4085, 6138, 6209, 6239, 6302, 7188, 7244, 7347, 7355, 7571, 7628, 7635, 8494, and 8854_SB</li> </ul>	45J9410	2
13	<p>Power supply, 280 Watt ATX power supply for Europe</p> <ul style="list-style-type: none"> <li>• MT 3063:</li> <li>• MT 3285:</li> <li>• MT 4084:</li> <li>• MT 4086:</li> <li>• MT 4087:</li> <li>• MT 7358:</li> <li>• MT 7373:</li> <li>• MT 7484:</li> <li>• MT 7639:</li> <li>• MT 9728:</li> <li>• MT 9960:</li> <li>• MT 9965:</li> <li>• MT 3231, 4085, 6138, 6209, 6239, 6302, 7188, 7244, 7347, 7355, 7571, 7628, 7635, 8494, and 8854_SB</li> </ul>	54Y8853	2

## Mechanical FRUs

The FRUs listed in the following tables are not illustrated.

FRUs	FRU #	CRU
FDD cable <ul style="list-style-type: none"> <li>• MT 3063: all models</li> <li>• MT 3285: all models</li> <li>• MT 4084: all models</li> <li>• MT 4086: all models</li> <li>• MT 4087: all models</li> <li>• MT 7358: all models</li> <li>• MT 7373: all models</li> <li>• MT 7484: all models</li> <li>• MT 7639: all models</li> <li>• MT 9728: all models</li> <li>• MT 9960: all models</li> <li>• MT 9965: all models</li> <li>• MT 3231, 4085, 6138, 6209, 6239, 6302, 7188, 7244, 7347, 7355, 7571, 7628, 7635, 8494, and 8854_SB</li> </ul>	41A7182	2
FRU, FOXCONN SATA cable,457mm, 1 latching for device, RoHS <ul style="list-style-type: none"> <li>• MT 3063: all models</li> <li>• MT 3285: all models</li> <li>• MT 4084: all models</li> <li>• MT 4086: all models</li> <li>• MT 4087: all models</li> <li>• MT 7358: all models</li> <li>• MT 7373: all models</li> <li>• MT 7484: all models</li> <li>• MT 7639: all models</li> <li>• MT 9728: all models</li> <li>• MT 9960: all models</li> <li>• MT 9965: all models</li> <li>• MT 3231, 4085, 6138, 6209, 6239, 6302, 7188, 7244, 7347, 7355, 7571, 7628, 7635, 8494, and 8854_SB</li> </ul>	43N9013	2



FRUs	FRU #	CRU
FRU, FOXCONN SATA cable,250mm, 1 latching for device, RoHS <ul style="list-style-type: none"> <li>• MT 3063: all models</li> <li>• MT 3285: all models</li> <li>• MT 4084: all models</li> <li>• MT 4086: all models</li> <li>• MT 4087: all models</li> <li>• MT 7358: all models</li> <li>• MT 7373: all models</li> <li>• MT 7484: all models</li> <li>• MT 7639: all models</li> <li>• MT 9728: all models</li> <li>• MT 9960: all models</li> <li>• MT 9965: all models</li> <li>• MT 3231, 4085, 6138, 6209, 6239, 6302, 7188, 7244, 7347, 7355, 7571, 7628, 7635, 8494, and 8854_SB</li> </ul>	43N9012	2
FRU- shield, 5.25 EMC <ul style="list-style-type: none"> <li>• MT 3063: all models</li> <li>• MT 3285: all models</li> <li>• MT 4084: all models</li> <li>• MT 4086: all models</li> <li>• MT 4087: all models</li> <li>• MT 7358: all models</li> <li>• MT 7373: all models</li> <li>• MT 7484: all models</li> <li>• MT 7639: all models</li> <li>• MT 9728: all models</li> <li>• MT 9960: all models</li> <li>• MT 9965: all models</li> <li>• MT 3231, 4085, 6138, 6209, 6239, 6302, 7188, 7244, 7347, 7355, 7571, 7628, 7635, 8494, and 8854_SB</li> </ul>	41N8080	2
FRU, C2 intrusion switch <ul style="list-style-type: none"> <li>• MT 3063: all models</li> <li>• MT 3285: all models</li> <li>• MT 4084: all models</li> <li>• MT 4086: all models</li> <li>• MT 4087: all models</li> <li>• MT 7358: all models</li> <li>• MT 7373: all models</li> <li>• MT 7484: all models</li> <li>• MT 7639: all models</li> <li>• MT 9728: all models</li> <li>• MT 9960: all models</li> <li>• MT 9965: all models</li> </ul>	39K5022	2

FRUs	FRU #	CRU
<ul style="list-style-type: none"> <li>• MT 3231, 4085, 6138, 6209, 6239, 6302, 7188, 7244, 7347, 7355, 7571, 7628, 7635, 8494, and 8854_SB</li> </ul>		
FRU, eSATA cable - FH <ul style="list-style-type: none"> <li>• MT 3063: all models</li> <li>• MT 3285: all models</li> <li>• MT 4084: all models</li> <li>• MT 4086: all models</li> <li>• MT 4087: all models</li> <li>• MT 7358: all models</li> <li>• MT 7373: all models</li> <li>• MT 7484: all models</li> <li>• MT 7639: all models</li> <li>• MT 9728: all models</li> <li>• MT 9960: all models</li> <li>• MT 9965: all models</li> <li>• MT 3231, 4085, 6138, 6209, 6239, 6302, 7188, 7244, 7347, 7355, 7571, 7628, 7635, 8494, and 8854_SB</li> </ul>	41R3308	2
FRU, rear USB 2 ports II HP <ul style="list-style-type: none"> <li>• MT 3063: all models</li> <li>• MT 3285: all models</li> <li>• MT 4084: all models</li> <li>• MT 4086: all models</li> <li>• MT 4087: all models</li> <li>• MT 7358: all models</li> <li>• MT 7373: all models</li> <li>• MT 7484: all models</li> <li>• MT 7639: all models</li> <li>• MT 9728: all models</li> <li>• MT 9960: all models</li> <li>• MT 9965: all models</li> <li>• MT 3231, 4085, 6138, 6209, 6239, 6302, 7188, 7244, 7347, 7355, 7571, 7628, 7635, 8494, and 8854_SB</li> </ul>	42Y8005	2
FRU, parallel cable 280mm ROHS (optional) <ul style="list-style-type: none"> <li>• MT 3063: all models</li> <li>• MT 3285: all models</li> <li>• MT 4084: all models</li> <li>• MT 4086: all models</li> <li>• MT 4087: all models</li> <li>• MT 7358: all models</li> <li>• MT 7373: all models</li> <li>• MT 7484: all models</li> <li>• MT 7639: all models</li> <li>• MT 9728: all models</li> </ul>	43N9022	2

FRUs	FRU #	CRU
<ul style="list-style-type: none"> <li>• MT 9960: all models</li> <li>• MT 9965: all models</li> <li>• MT 3231, 4085, 6138, 6209, 6239, 6302, 7188, 7244, 7347, 7355, 7571, 7628, 7635, 8494, and 8854_SB</li> </ul>		
FRU, cover <ul style="list-style-type: none"> <li>• MT 3063: all models</li> <li>• MT 3285: all models</li> <li>• MT 4084: all models</li> <li>• MT 4086: all models</li> <li>• MT 4087: all models</li> <li>• MT 7358: all models</li> <li>• MT 7373: all models</li> <li>• MT 7484: all models</li> <li>• MT 7639: all models</li> <li>• MT 9728: all models</li> <li>• MT 9960: all models</li> <li>• MT 9965: all models</li> <li>• MT 3231, 4085, 6138, 6209, 6239, 6302, 7188, 7244, 7347, 7355, 7571, 7628, 7635, 8494, and 8854_SB</li> </ul>	41N8050	1
FRU, retainer, card reader <ul style="list-style-type: none"> <li>• MT 3063: all models</li> <li>• MT 3285: all models</li> <li>• MT 4084: all models</li> <li>• MT 4086: all models</li> <li>• MT 4087: all models</li> <li>• MT 7358: all models</li> <li>• MT 7373: all models</li> <li>• MT 7484: all models</li> <li>• MT 7639: all models</li> <li>• MT 9728: all models</li> <li>• MT 9960: all models</li> <li>• MT 9965: all models</li> <li>• MT 3231, 4085, 6138, 6209, 6239, 6302, 7188, 7244, 7347, 7355, 7571, 7628, 7635, 8494, and 8854_SB</li> </ul>	41R2913	2

FRUs	FRU #	CRU
FRU, front fan AVC <ul style="list-style-type: none"> <li>• MT 3063: all models</li> <li>• MT 3285: all models</li> <li>• MT 4084: all models</li> <li>• MT 4086: all models</li> <li>• MT 4087: all models</li> <li>• MT 7358: all models</li> <li>• MT 7373: all models</li> <li>• MT 7484: all models</li> <li>• MT 7639: all models</li> <li>• MT 9728: all models</li> <li>• MT 9960: all models</li> <li>• MT 9965: all models</li> <li>• MT 3231, 4085, 6138, 6209, 6239, 6302, 7188, 7244, 7347, 7355, 7571, 7628, 7635, 8494, and 8854_SB</li> </ul>	41R4791	2
FRU, optional HDD bracket assembly, without 4 pin cable <ul style="list-style-type: none"> <li>• MT 3063: all models</li> <li>• MT 3285: all models</li> <li>• MT 4084: all models</li> <li>• MT 4086: all models</li> <li>• MT 4087: all models</li> <li>• MT 7358: all models</li> <li>• MT 7373: all models</li> <li>• MT 7484: all models</li> <li>• MT 7639: all models</li> <li>• MT 9728: all models</li> <li>• MT 9960: all models</li> <li>• MT 9965: all models</li> <li>• MT 3231, 4085, 6138, 6209, 6239, 6302, 7188, 7244, 7347, 7355, 7571, 7628, 7635, 8494, and 8854_SB</li> </ul>	41R6106	1
FRU, intrusion switch assembly <ul style="list-style-type: none"> <li>• MT 3063: all models</li> <li>• MT 3285: all models</li> <li>• MT 4084: all models</li> <li>• MT 4086: all models</li> <li>• MT 4087: all models</li> <li>• MT 7358: all models</li> <li>• MT 7373: all models</li> <li>• MT 7484: all models</li> <li>• MT 7639: all models</li> <li>• MT 9728: all models</li> <li>• MT 9960: all models</li> <li>• MT 9965: all models</li> </ul>	41R6116	2

FRUs	FRU #	CRU
<ul style="list-style-type: none"> <li>• MT 3231, 4085, 6138, 6209, 6239, 6302, 7188, 7244, 7347, 7355, 7571, 7628, 7635, 8494, and 8854_SB</li> </ul>		
FRU, 4 pin system fan for Tamdhu2 <ul style="list-style-type: none"> <li>• MT 3063: all models</li> <li>• MT 3285: all models</li> <li>• MT 4084: all models</li> <li>• MT 4086: all models</li> <li>• MT 4087: all models</li> <li>• MT 7358: all models</li> <li>• MT 7373: all models</li> <li>• MT 7484: all models</li> <li>• MT 7639: all models</li> <li>• MT 9728: all models</li> <li>• MT 9960: all models</li> <li>• MT 9965: all models</li> <li>• MT 3231, 4085, 6138, 6209, 6239, 6302, 7188, 7244, 7347, 7355, 7571, 7628, 7635, 8494, and 8854_SB</li> </ul>	41R6269	2
FRU, HDD tray, Tamdhu <ul style="list-style-type: none"> <li>• MT 3063: all models</li> <li>• MT 3285: all models</li> <li>• MT 4084: all models</li> <li>• MT 4086: all models</li> <li>• MT 4087: all models</li> <li>• MT 7358: all models</li> <li>• MT 7373: all models</li> <li>• MT 7484: all models</li> <li>• MT 7639: all models</li> <li>• MT 9728: all models</li> <li>• MT 9960: all models</li> <li>• MT 9965: all models</li> <li>• MT 3231, 4085, 6138, 6209, 6239, 6302, 7188, 7244, 7347, 7355, 7571, 7628, 7635, 8494, and 8854_SB</li> </ul>	41R6291	1
FRU, planer shield, MATX, Panda <ul style="list-style-type: none"> <li>• MT 3063: all models</li> <li>• MT 3285: all models</li> <li>• MT 4084: all models</li> <li>• MT 4086: all models</li> <li>• MT 4087: all models</li> <li>• MT 7358: all models</li> <li>• MT 7373: all models</li> <li>• MT 7484: all models</li> <li>• MT 7639: all models</li> <li>• MT 9728: all models</li> </ul>	43N9414	N

FRUs	FRU #	CRU
<ul style="list-style-type: none"> <li>• MT 9960: all models</li> <li>• MT 9965: all models</li> <li>• MT 3231, 4085, 6138, 6209, 6239, 6302, 7188, 7244, 7347, 7355, 7571, 7628, 7635, 8494, and 8854_SB</li> </ul>		
<p>FRU, assembly chassis without IBM mark, recycle</p> <ul style="list-style-type: none"> <li>• MT 3063: all models</li> <li>• MT 3285: all models</li> <li>• MT 4084: all models</li> <li>• MT 4086: all models</li> <li>• MT 4087: all models</li> <li>• MT 7358: all models</li> <li>• MT 7373: all models</li> <li>• MT 7484: all models</li> <li>• MT 7639: all models</li> <li>• MT 9728: all models</li> <li>• MT 9960: all models</li> <li>• MT 9965: all models</li> <li>• MT 3231, 4085, 6138, 6209, 6239, 6302, 7188, 7244, 7347, 7355, 7571, 7628, 7635, 8494, and 8854_SB</li> </ul>	43N9415	N
<p>FRU, ODD/FDD/card reader retainers, Tamdhu</p> <ul style="list-style-type: none"> <li>• MT 3063: all models</li> <li>• MT 3285: all models</li> <li>• MT 4084: all models</li> <li>• MT 4086: all models</li> <li>• MT 4087: all models</li> <li>• MT 7358: all models</li> <li>• MT 7373: all models</li> <li>• MT 7484: all models</li> <li>• MT 7639: all models</li> <li>• MT 9728: all models</li> <li>• MT 9960: all models</li> <li>• MT 9965: all models</li> <li>• MT 3231, 4085, 6138, 6209, 6239, 6302, 7188, 7244, 7347, 7355, 7571, 7628, 7635, 8494, and 8854_SB</li> </ul>	43N9351	1

FRUs	FRU #	CRU
FRU, cable,Luxshare, front I/O cable_R (25L_A430_U280) <ul style="list-style-type: none"> <li>• MT 3063: all models</li> <li>• MT 3285: all models</li> <li>• MT 4084: all models</li> <li>• MT 4086: all models</li> <li>• MT 4087: all models</li> <li>• MT 7358: all models</li> <li>• MT 7373: all models</li> <li>• MT 7484: all models</li> <li>• MT 7639: all models</li> <li>• MT 9728: all models</li> <li>• MT 9960: all models</li> <li>• MT 9965: all models</li> <li>• MT 3231, 4085, 6138, 6209, 6239, 6302, 7188, 7244, 7347, 7355, 7571, 7628, 7635, 8494, and 8854_SB</li> </ul>	43N9076	2
FRU, cable,Luxshare,LED/switch cable_R (non-PCB_460mm_25L) <ul style="list-style-type: none"> <li>• MT 3063: all models</li> <li>• MT 3285: all models</li> <li>• MT 4084: all models</li> <li>• MT 4086: all models</li> <li>• MT 4087: all models</li> <li>• MT 7358: all models</li> <li>• MT 7373: all models</li> <li>• MT 7484: all models</li> <li>• MT 7639: all models</li> <li>• MT 9728: all models</li> <li>• MT 9960: all models</li> <li>• MT 9965: all models</li> <li>• MT 3231, 4085, 6138, 6209, 6239, 6302, 7188, 7244, 7347, 7355, 7571, 7628, 7635, 8494, and 8854_SB</li> </ul>	43N9074	2
FRU, blank 5.25" bezel, recycle <ul style="list-style-type: none"> <li>• MT 3063: all models</li> <li>• MT 3285: all models</li> <li>• MT 4084: all models</li> <li>• MT 4086: all models</li> <li>• MT 4087: all models</li> <li>• MT 7358: all models</li> <li>• MT 7373: all models</li> <li>• MT 7484: all models</li> <li>• MT 7639: all models</li> <li>• MT 9728: all models</li> <li>• MT 9960: all models</li> <li>• MT 9965: all models</li> </ul>	43N9413	2

FRUs	FRU #	CRU
<ul style="list-style-type: none"> <li>• MT 3231, 4085, 6138, 6209, 6239, 6302, 7188, 7244, 7347, 7355, 7571, 7628, 7635, 8494, and 8854_SB</li> </ul>		
FRU, assembly bezel wiithout IBM mark recycle <ul style="list-style-type: none"> <li>• MT 3063: all models</li> <li>• MT 3285: all models</li> <li>• MT 4084: all models</li> <li>• MT 4086: all models</li> <li>• MT 4087: all models</li> <li>• MT 7358: all models</li> <li>• MT 7373: all models</li> <li>• MT 7484: all models</li> <li>• MT 7639: all models</li> <li>• MT 9728: all models</li> <li>• MT 9960: all models</li> <li>• MT 9965: all models</li> <li>• MT 3231, 4085, 6138, 6209, 6239, 6302, 7188, 7244, 7347, 7355, 7571, 7628, 7635, 8494, and 8854_SB</li> </ul>	43N9412	1
FRU, cable clip, FW-6D <ul style="list-style-type: none"> <li>• MT 3063: all models</li> <li>• MT 3285: all models</li> <li>• MT 4084: all models</li> <li>• MT 4086: all models</li> <li>• MT 4087: all models</li> <li>• MT 7358: all models</li> <li>• MT 7373: all models</li> <li>• MT 7484: all models</li> <li>• MT 7639: all models</li> <li>• MT 9728: all models</li> <li>• MT 9960: all models</li> <li>• MT 9965: all models</li> <li>• MT 3231, 4085, 6138, 6209, 6239, 6302, 7188, 7244, 7347, 7355, 7571, 7628, 7635, 8494, and 8854_SB</li> </ul>	43N9462	2
FRU, speaker cable_R_9*5_400mm <ul style="list-style-type: none"> <li>• MT 3063: all models</li> <li>• MT 3285: all models</li> <li>• MT 4084: all models</li> <li>• MT 4086: all models</li> <li>• MT 4087: all models</li> <li>• MT 7358: all models</li> <li>• MT 7373: all models</li> <li>• MT 7484: all models</li> <li>• MT 7639: all models</li> <li>• MT 9728: all models</li> </ul>	43N9091	2



FRUs	FRU #	CRU
<ul style="list-style-type: none"> <li>• MT 9960: all models</li> <li>• MT 9965: all models</li> <li>• MT 3231, 4085, 6138, 6209, 6239, 6302, 7188, 7244, 7347, 7355, 7571, 7628, 7635, 8494, and 8854_SB</li> </ul>		
<p>FRU, temp sense cable (6 pin 460 mm) kit w/ bracket</p> <ul style="list-style-type: none"> <li>• MT 3063: all models</li> <li>• MT 3285: all models</li> <li>• MT 4084: all models</li> <li>• MT 4086: all models</li> <li>• MT 4087: all models</li> <li>• MT 7358: all models</li> <li>• MT 7373: all models</li> <li>• MT 7484: all models</li> <li>• MT 7639: all models</li> <li>• MT 9728: all models</li> <li>• MT 9960: all models</li> <li>• MT 9965: all models</li> <li>• MT 3231, 4085, 6138, 6209, 6239, 6302, 7188, 7244, 7347, 7355, 7571, 7628, 7635, 8494, and 8854_SB</li> </ul>	45J9495	2
<p>FRU, 1.8 SSD to 3.5 HDD conversion kit, no bezel, with PCB</p> <ul style="list-style-type: none"> <li>• MT 3063: all models</li> <li>• MT 3285: all models</li> <li>• MT 4084: all models</li> <li>• MT 4086: all models</li> <li>• MT 4087: all models</li> <li>• MT 7358: all models</li> <li>• MT 7373: all models</li> <li>• MT 7484: all models</li> <li>• MT 7639: all models</li> <li>• MT 9728: all models</li> <li>• MT 9960: all models</li> <li>• MT 9965: all models</li> <li>• MT 3231, 4085, 6138, 6209, 6239, 6302, 7188, 7244, 7347, 7355, 7571, 7628, 7635, 8494, and 8854_SB</li> </ul>	43N9593	2

FRUs	FRU #	CRU
Fru,Tamdhu chassis primary HDD cage <ul style="list-style-type: none"> <li>• MT 3063: all models</li> <li>• MT 3285: all models</li> <li>• MT 4084: all models</li> <li>• MT 4086: all models</li> <li>• MT 4087: all models</li> <li>• MT 7358: all models</li> <li>• MT 7373: all models</li> <li>• MT 7484: all models</li> <li>• MT 7639: all models</li> <li>• MT 9728: all models</li> <li>• MT 9960: all models</li> <li>• MT 9965: all models</li> <li>• MT 3231, 4085, 6138, 6209, 6239, 6302, 7188, 7244, 7347, 7355, 7571, 7628, 7635, 8494, and 8854_SB</li> </ul>	45K6272	1
Fru, Tamdhu rubber foot (for acoustic improvement) <ul style="list-style-type: none"> <li>• MT 3063: all models</li> <li>• MT 3285: all models</li> <li>• MT 4084: all models</li> <li>• MT 4086: all models</li> <li>• MT 4087: all models</li> <li>• MT 7358: all models</li> <li>• MT 7373: all models</li> <li>• MT 7484: all models</li> <li>• MT 7639: all models</li> <li>• MT 9728: all models</li> <li>• MT 9960: all models</li> <li>• MT 9965: all models</li> <li>• MT 3231, 4085, 6138, 6209, 6239, 6302, 7188, 7244, 7347, 7355, 7571, 7628, 7635, 8494, and 8854_SB</li> </ul>	45K6278	2
3.5" 1.44MB 2 mode FDD <ul style="list-style-type: none"> <li>• MT 3063: all models</li> <li>• MT 3285: all models</li> <li>• MT 4084: all models</li> <li>• MT 4086: all models</li> <li>• MT 4087: all models</li> <li>• MT 7358: all models</li> <li>• MT 7373: all models</li> <li>• MT 7484: all models</li> <li>• MT 7639: all models</li> <li>• MT 9728: all models</li> <li>• MT 9960: all models</li> <li>• MT 9965: all models</li> </ul>	40Y9107	2

FRUs	FRU #	CRU
<ul style="list-style-type: none"> <li>• MT 3231, 4085, 6138, 6209, 6239, 6302, 7188, 7244, 7347, 7355, 7571, 7628, 7635, 8494, and 8854_SB</li> </ul>		
FRU, 3.5" 1.44MB 2 mode FDD <ul style="list-style-type: none"> <li>• MT 3063: all models</li> <li>• MT 3285: all models</li> <li>• MT 4084: all models</li> <li>• MT 4086: all models</li> <li>• MT 4087: all models</li> <li>• MT 7358: all models</li> <li>• MT 7373: all models</li> <li>• MT 7484: all models</li> <li>• MT 7639: all models</li> <li>• MT 9728: all models</li> <li>• MT 9960: all models</li> <li>• MT 9965: all models</li> <li>• MT 3231, 4085, 6138, 6209, 6239, 6302, 7188, 7244, 7347, 7355, 7571, 7628, 7635, 8494, and 8854_SB</li> </ul>	40Y9105	2
Fru, 4 pin system fan Tamdhu II <ul style="list-style-type: none"> <li>• MT 3063: all models</li> <li>• MT 3285: all models</li> <li>• MT 4084: all models</li> <li>• MT 4086: all models</li> <li>• MT 4087: all models</li> <li>• MT 7358: all models</li> <li>• MT 7373: all models</li> <li>• MT 7484: all models</li> <li>• MT 7639: all models</li> <li>• MT 9728: all models</li> <li>• MT 9960: all models</li> <li>• MT 9965: all models</li> <li>• MT 3231, 4085, 6138, 6209, 6239, 6302, 7188, 7244, 7347, 7355, 7571, 7628, 7635, 8494, and 8854_SB</li> </ul>	43N9908	1
FRU, side cover <ul style="list-style-type: none"> <li>• MT 3063: all models</li> <li>• MT 3285: all models</li> <li>• MT 4084: all models</li> <li>• MT 4086: all models</li> <li>• MT 4087: all models</li> <li>• MT 7358: all models</li> <li>• MT 7373: all models</li> <li>• MT 7484: all models</li> <li>• MT 7639: all models</li> <li>• MT 9960: all models</li> </ul>	41N8050	1

FRUs	FRU #	CRU
<ul style="list-style-type: none"> <li>• MT 9965: all models</li> <li>• MT 3231, 4085, 6138, 6209, 6239, 6302, 7188, 7244, 7347, 7355, 7571, 7628, 7635, 8494, and 8854_SB</li> </ul>		

## Keyboard and Mouse

Keyboard (Lenovo preferred professional USB -- without hub)	FRU #	CRU
US English <ul style="list-style-type: none"> <li>• MT 3063: BGH BHH B4M B5M B6U B7U B8U B9U BBU BCL BSG BUG BSU BSL BSM BSA BSQ BSH BSR BSE BVU BWQ</li> <li>• MT 3285: A1U A1L A1G A1M A1A A1Q A1H A1R A1E A2Q</li> <li>• MT 4084: A1G</li> <li>• MT 4086: A1G A2G A3G</li> <li>• MT 4087: A1G A2G</li> <li>• MT 7358: A2G A3G</li> <li>• MT 7373: E8A E9A EBA ECA EDA D8M D8A D9M E1M E2M E3U E4U E5U E6U E7U EFQ EGU F6A F7A F8A F9U F9L FBU FBL FEQ FFQ FCU FGM</li> <li>• MT 7484: BQA BRA BNM BPM BMM DIU E1U D9U E2M</li> <li>• MT 7639: A1U A1L A1G A1M A1A A1Q A1H A1R A1E A2Q</li> <li>• MT 9728: A3H A4H AFA ADA ABM ACM A6U A7U A8U A9L A5U A5L A5G A5M A5A A5Q A5H A5R A5E AGG ATG AUQ</li> <li>• MT 9960: AkU ALU ANU APU AMU</li> <li>• MT 9965: A5G A6U A7U A8G A9U ABU ACU</li> <li>• MT 3231, 4085, 6138, 6209, 6239, 6302, 7188, 7244, 7347, 7355, 7571, 7628, 7635, 8494, and 8854_SB</li> </ul>	41A5289	1
Arabic <ul style="list-style-type: none"> <li>• MT 3063: BSG BUG</li> <li>• MT 3285: A1G</li> <li>• MT 4084: A1G</li> <li>• MT 4086: A1G A2G A3G</li> <li>• MT 4087: A1G A2G</li> <li>• MT 7358: A2G A3G</li> <li>• MT 7373:</li> <li>• MT 7484:</li> <li>• MT 7639: A1G</li> <li>• MT 9728: A5G AGG ATG B1G</li> <li>• MT 9960:</li> <li>• MT 9965: A5G A8G</li> <li>• MT 3231, 4085, 6138, 6209, 6239, 6302, 7188, 7244, 7347, 7355, 7571, 7628, 7635, 8494, and 8854_SB</li> </ul>	41A5290	1

Keyboard (Lenovo preferred professional USB -- without hub)	FRU #	CRU
<p>A/F</p> <ul style="list-style-type: none"> <li>• MT 3063:</li> <li>• MT 3285: A1G</li> <li>• MT 4084: A1G</li> <li>• MT 4086: A1G A2G A3G</li> <li>• MT 4087: A1G A2G</li> <li>• MT 7358: A2G A3G</li> <li>• MT 7373:</li> <li>• MT 7484:</li> <li>• MT 7639:</li> <li>• MT 9728: A5G AGG ATG B1G</li> <li>• MT 9960:</li> <li>• MT 9965: A5G A8G</li> <li>• MT 3231, 4085, 6138, 6209, 6239, 6302, 7188, 7244, 7347, 7355, 7571, 7628, 7635, 8494, and 8854_SB</li> </ul>	41A5291	1
<p>B/F</p> <ul style="list-style-type: none"> <li>• MT 3063: BSG BUG</li> <li>• MT 3285:</li> <li>• MT 4084: A1G</li> <li>• MT 4086: A1G A2G A3G</li> <li>• MT 4087: A1G A2G</li> <li>• MT 7358: A2G A3G</li> <li>• MT 7373:</li> <li>• MT 7484:</li> <li>• MT 7639: A1G</li> <li>• MT 9728:</li> <li>• MT 9960:</li> <li>• MT 9965:</li> <li>• MT 3231, 4085, 6138, 6209, 6239, 6302, 7188, 7244, 7347, 7355, 7571, 7628, 7635, 8494, and 8854_SB</li> </ul>	41A5292	1
<p>Belgium English</p> <ul style="list-style-type: none"> <li>• MT 3063: BSG BUG</li> <li>• MT 3285: A1G</li> <li>• MT 4084: A1G</li> <li>• MT 4086: A1G A2G A3G</li> <li>• MT 4087: A1G A2G</li> <li>• MT 7358: A2G A3G</li> <li>• MT 7373:</li> <li>• MT 7484:</li> <li>• MT 7639: A1G</li> <li>• MT 9728: A5G AGG ATG B1G</li> <li>• MT 9960:</li> <li>• MT 9965: A5G A8G</li> </ul>	41A5293	1

Keyboard (Lenovo preferred professional USB -- without hub)	FRU #	CRU
<ul style="list-style-type: none"> <li>• MT 3231, 4085, 6138, 6209, 6239, 6302, 7188, 7244, 7347, 7355, 7571, 7628, 7635, 8494, and 8854_SB</li> </ul>		
Brazilian Portuguese <ul style="list-style-type: none"> <li>• MT 3063: BCP BSP</li> <li>• MT 3285: A1P</li> <li>• MT 4084:</li> <li>• MT 4086:</li> <li>• MT 4087:</li> <li>• MT 7358:</li> <li>• MT 7373:</li> <li>• MT 7484:</li> <li>• MT 7639: A1P</li> <li>• MT 9728: A9P A5P</li> <li>• MT 9960: AkP</li> <li>• MT 9965: A6P A7P</li> <li>• MT 3231, 4085, 6138, 6209, 6239, 6302, 7188, 7244, 7347, 7355, 7571, 7628, 7635, 8494, and 8854_SB</li> </ul>	41A5294	1
Bulgarian <ul style="list-style-type: none"> <li>• MT 3063: BSG BUG</li> <li>• MT 3285: A1G</li> <li>• MT 4084: A1G</li> <li>• MT 4086: A1G A2G A3G</li> <li>• MT 4087: A1G A2G</li> <li>• MT 7358: A2G A3G</li> <li>• MT 7373:</li> <li>• MT 7484:</li> <li>• MT 7639: A1G</li> <li>• MT 9728: A5G AGG ATG B1G</li> <li>• MT 9960:</li> <li>• MT 9965: A5G A8G</li> <li>• MT 3231, 4085, 6138, 6209, 6239, 6302, 7188, 7244, 7347, 7355, 7571, 7628, 7635, 8494, and 8854_SB</li> </ul>	41A5295	1
Chinese/US <ul style="list-style-type: none"> <li>• MT 3063: BSC</li> <li>• MT 3285: A1B A1V</li> <li>• MT 4084:</li> <li>• MT 4086:</li> <li>• MT 4087:</li> <li>• MT 7358:</li> <li>• MT 7373: EHV EJV EKV ELV EMV ENV EPV EQV ERV ESV ETV EUV EVV EWW F1V F2V F3V F4V F5V</li> <li>• MT 7484: D8V D2V D3V D4V D5V D6V D7V</li> <li>• MT 7639: A1B A1V</li> </ul>	41A5296	1

Keyboard (Lenovo preferred professional USB -- without hub)	FRU #	CRU
<ul style="list-style-type: none"> <li>• MT 9728: A5B A5V</li> <li>• MT 9960:</li> <li>• MT 9965:</li> <li>• MT 3231, 4085, 6138, 6209, 6239, 6302, 7188, 7244, 7347, 7355, 7571, 7628, 7635, 8494, and 8854_SB</li> </ul>		
<p>Czech (ABB)</p> <ul style="list-style-type: none"> <li>• MT 3063:</li> <li>• MT 3285: A1G</li> <li>• MT 4084: A1G</li> <li>• MT 4086: A1G A2G A3G</li> <li>• MT 4087: A1G A2G</li> <li>• MT 7358: A2G A3G</li> <li>• MT 7373:</li> <li>• MT 7484:</li> <li>• MT 7639: A1G</li> <li>• MT 9728: A5G AGG ATG B1G</li> <li>• MT 9960:</li> <li>• MT 9965: A5G A8G</li> <li>• MT 3231, 4085, 6138, 6209, 6239, 6302, 7188, 7244, 7347, 7355, 7571, 7628, 7635, 8494, and 8854_SB</li> </ul>	41A5297	1
<p>Danish</p> <ul style="list-style-type: none"> <li>• MT 3063: BSG BUG</li> <li>• MT 3285: A1G</li> <li>• MT 4084: A1G</li> <li>• MT 4086: A1G A2G A3G</li> <li>• MT 4087: A1G A2G</li> <li>• MT 7358: A2G A3G</li> <li>• MT 7373:</li> <li>• MT 7484:</li> <li>• MT 7639: A1G</li> <li>• MT 9728: A5G AGG ATG B1G</li> <li>• MT 9960:</li> <li>• MT 9965: A5G A8G</li> <li>• MT 3231, 4085, 6138, 6209, 6239, 6302, 7188, 7244, 7347, 7355, 7571, 7628, 7635, 8494, and 8854_SB</li> </ul>	41A5298	1

Keyboard (Lenovo preferred professional USB -- without hub)	FRU #	CRU
Dutch <ul style="list-style-type: none"> <li>• MT 3063: BSG BUG</li> <li>• MT 3285: A1G</li> <li>• MT 4084: A1G</li> <li>• MT 4086: A1G A2G A3G</li> <li>• MT 4087: A1G A2G</li> <li>• MT 7358: A2G A3G</li> <li>• MT 7373:</li> <li>• MT 7484:</li> <li>• MT 7639: A1G</li> <li>• MT 9728: A5G AGG ATG B1G</li> <li>• MT 9960:</li> <li>• MT 9965: A5G A8G</li> <li>• MT 3231, 4085, 6138, 6209, 6239, 6302, 7188, 7244, 7347, 7355, 7571, 7628, 7635, 8494, and 8854_SB</li> </ul>	41A5299	1
French <ul style="list-style-type: none"> <li>• MT 3063: BSG BUG</li> <li>• MT 3285: A1G</li> <li>• MT 4084: A1G</li> <li>• MT 4086: A1G A2G A3G</li> <li>• MT 4087: A1G A2G</li> <li>• MT 7358: A2G A3G</li> <li>• MT 7373:</li> <li>• MT 7484:</li> <li>• MT 7639: A1G</li> <li>• MT 9728: A5G AGG ATG B1G</li> <li>• MT 9960:</li> <li>• MT 9965: A5G A8G</li> <li>• MT 3231, 4085, 6138, 6209, 6239, 6302, 7188, 7244, 7347, 7355, 7571, 7628, 7635, 8494, and 8854_SB</li> </ul>	41A5300	1
French Canadian <ul style="list-style-type: none"> <li>• MT 3063: B6F B7F B8F B9F BBF BSF BVF</li> <li>• MT 3285: A1F A1G</li> <li>• MT 4084: A1G</li> <li>• MT 4086: A1G A2G A3G</li> <li>• MT 4087: A1G A2G</li> <li>• MT 7358: A2G A3G</li> <li>• MT 7373: E3F E4F E5F E6F E7F EGF F9F FBF FCF</li> <li>• MT 7484: D1F D9U D9F</li> <li>• MT 7639: A1F</li> <li>• MT 9728: A6F A7F A8F A5F A5G AGG</li> <li>• MT 9960: AkF ALF ANF APF AMF</li> <li>• MT 9965: A5G A6F A7F A8G A9F ABF ACF</li> </ul>	41A5301	1



Keyboard (Lenovo preferred professional USB -- without hub)	FRU #	CRU
<ul style="list-style-type: none"> <li>• MT 3231, 4085, 6138, 6209, 6239, 6302, 7188, 7244, 7347, 7355, 7571, 7628, 7635, 8494, and 8854_SB</li> </ul>		
<p>French Canadian</p> <ul style="list-style-type: none"> <li>• MT 3063: B6F B7F B8F B9F BBF BSF BVF</li> <li>• MT 3285: A1F A1G</li> <li>• MT 4084: A1G</li> <li>• MT 4086: A1G A2G A3G</li> <li>• MT 4087: A1G A2G</li> <li>• MT 7358: A2G A3G</li> <li>• MT 7373: E3F E4F E5F E6F E7F EGF F9F FBF FCF</li> <li>• MT 7484: D1F D9U D9F</li> <li>• MT 7639: A1F</li> <li>• MT 9728: A6F A7F A8F A5F A5G AGG</li> <li>• MT 9960: AkF ALF ANF APF AMF</li> <li>• MT 9965: A5G A6F A7F A8G A9F ABF ACF</li> <li>• MT 3231, 4085, 6138, 6209, 6239, 6302, 7188, 7244, 7347, 7355, 7571, 7628, 7635, 8494, and 8854_SB</li> </ul>	41A5302	1
<p>German</p> <ul style="list-style-type: none"> <li>• MT 3063: BSG BUG</li> <li>• MT 3285: A1G</li> <li>• MT 4084: A1G</li> <li>• MT 4086: A1G A2G A3G</li> <li>• MT 4087: A1G A2G</li> <li>• MT 7358: A2G A3G</li> <li>• MT 7373:</li> <li>• MT 7484:</li> <li>• MT 7639: A1G</li> <li>• MT 9728: A5G AGG ATG B1G</li> <li>• MT 9960:</li> <li>• MT 9965: A5G A8G</li> <li>• MT 3231, 4085, 6138, 6209, 6239, 6302, 7188, 7244, 7347, 7355, 7571, 7628, 7635, 8494, and 8854_SB</li> </ul>	41A5303	1
<p>Greek</p> <ul style="list-style-type: none"> <li>• MT 3063: BSG BUG</li> <li>• MT 3285: A1G</li> <li>• MT 4084: A1G</li> <li>• MT 4086: A1G A2G A3G</li> <li>• MT 4087: A1G A2G</li> <li>• MT 7358: A2G A3G</li> <li>• MT 7373:</li> <li>• MT 7484:</li> <li>• MT 7639: A1G</li> <li>• MT 9728: A5G AGG ATG B1G</li> </ul>	41A5304	1

Keyboard (Lenovo preferred professional USB -- without hub)	FRU #	CRU
<ul style="list-style-type: none"> <li>• MT 9960:</li> <li>• MT 9965: A5G A8G</li> <li>• MT 3231, 4085, 6138, 6209, 6239, 6302, 7188, 7244, 7347, 7355, 7571, 7628, 7635, 8494, and 8854_SB</li> </ul>		
<p>Greek/US</p> <ul style="list-style-type: none"> <li>• MT 3063: BSG BUG</li> <li>• MT 3285: A1G</li> <li>• MT 4084: A1G</li> <li>• MT 4086: A1G A2G A3G</li> <li>• MT 4087: A1G A2G</li> <li>• MT 7358: A2G A3G</li> <li>• MT 7373:</li> <li>• MT 7484:</li> <li>• MT 7639: A1G</li> <li>• MT 9728: A5G AGG ATG B1G</li> <li>• MT 9960:</li> <li>• MT 9965: A5G A8G</li> <li>• MT 3231, 4085, 6138, 6209, 6239, 6302, 7188, 7244, 7347, 7355, 7571, 7628, 7635, 8494, and 8854_SB</li> </ul>	41A5305	1
<p>Hebrew</p> <ul style="list-style-type: none"> <li>• MT 3063: BSG BUG</li> <li>• MT 3285: A1G</li> <li>• MT 4084: A1G</li> <li>• MT 4086: A1G A2G A3G</li> <li>• MT 4087: A1G A2G</li> <li>• MT 7358: A2G A3G</li> <li>• MT 7373:</li> <li>• MT 7484:</li> <li>• MT 7639: A1G</li> <li>• MT 9728: A5G AGG ATG B1G</li> <li>• MT 9960:</li> <li>• MT 9965: A5G A8G</li> <li>• MT 3231, 4085, 6138, 6209, 6239, 6302, 7188, 7244, 7347, 7355, 7571, 7628, 7635, 8494, and 8854_SB</li> </ul>	41A5306	1

Keyboard (Lenovo preferred professional USB -- without hub)	FRU #	CRU
Hungarian <ul style="list-style-type: none"> <li>• MT 3063: BSG BUG</li> <li>• MT 3285: A1G</li> <li>• MT 4084: A1G</li> <li>• MT 4086: A1G A2G A3G</li> <li>• MT 4087: A1G A2G</li> <li>• MT 7358: A2G A3G</li> <li>• MT 7373:</li> <li>• MT 7484:</li> <li>• MT 7639: A1G</li> <li>• MT 9728: A5G AGG ATG B1G</li> <li>• MT 9960:</li> <li>• MT 9965: A5G A8G</li> <li>• MT 3231, 4085, 6138, 6209, 6239, 6302, 7188, 7244, 7347, 7355, 7571, 7628, 7635, 8494, and 8854_SB</li> </ul>	41A5307	1
Iceland <ul style="list-style-type: none"> <li>• MT 3063: BSG BUG</li> <li>• MT 3285: A1G</li> <li>• MT 4084: A1G</li> <li>• MT 4086: A1G A2G A3G</li> <li>• MT 4087: A1G A2G</li> <li>• MT 7358: A2G A3G</li> <li>• MT 7373:</li> <li>• MT 7484:</li> <li>• MT 7639: A1G</li> <li>• MT 9728: A5G AGG ATG B1G</li> <li>• MT 9960:</li> <li>• MT 9965: A5G A8G</li> <li>• MT 3231, 4085, 6138, 6209, 6239, 6302, 7188, 7244, 7347, 7355, 7571, 7628, 7635, 8494, and 8854_SB</li> </ul>	41A5308	1
Italy <ul style="list-style-type: none"> <li>• MT 3063: BSG BUG</li> <li>• MT 3285: A1G</li> <li>• MT 4084: A1G</li> <li>• MT 4086: A1G A2G A3G</li> <li>• MT 4087: A1G A2G</li> <li>• MT 7358: A2G A3G</li> <li>• MT 7373:</li> <li>• MT 7484:</li> <li>• MT 7639: A1G</li> <li>• MT 9728: A5G AGG ATG B1G</li> <li>• MT 9960:</li> <li>• MT 9965: A5G A8G</li> </ul>	41A5309	1

Keyboard (Lenovo preferred professional USB -- without hub)	FRU #	CRU
<ul style="list-style-type: none"> <li>• MT 3231, 4085, 6138, 6209, 6239, 6302, 7188, 7244, 7347, 7355, 7571, 7628, 7635, 8494, and 8854_SB</li> </ul>		
<p>Japanese</p> <ul style="list-style-type: none"> <li>• MT 3063: BJJ BKJ BLJ BMJ BNJ BPJ BDJ BFJ BSJ CAJ CBJ</li> <li>• MT 3285: A1J</li> <li>• MT 4084:</li> <li>• MT 4086:</li> <li>• MT 4087:</li> <li>• MT 7358:</li> <li>• MT 7373:</li> <li>• MT 7484:</li> <li>• MT 7639: A1J</li> <li>• MT 9728: A1J A2J A5J</li> <li>• MT 9960:</li> <li>• MT 9965:</li> <li>• MT 3231, 4085, 6138, 6209, 6239, 6302, 7188, 7244, 7347, 7355, 7571, 7628, 7635, 8494, and 8854_SB</li> </ul>	41A5310	1
<p>Korean</p> <ul style="list-style-type: none"> <li>• MT 3063: BSK</li> <li>• MT 3285: A1K</li> <li>• MT 4084:</li> <li>• MT 4086:</li> <li>• MT 4087:</li> <li>• MT 7358:</li> <li>• MT 7373:</li> <li>• MT 7484:</li> <li>• MT 7639: A1K</li> <li>• MT 9728: A5K</li> <li>• MT 9960:</li> <li>• MT 9965:</li> <li>• MT 3231, 4085, 6138, 6209, 6239, 6302, 7188, 7244, 7347, 7355, 7571, 7628, 7635, 8494, and 8854_SB</li> </ul>	41A5311	1
<p>LA Spanish</p> <ul style="list-style-type: none"> <li>• MT 3063: BCS BCD BCY BSS BSD BSY</li> <li>• MT 3285: A1S A1D A1Y</li> <li>• MT 4084:</li> <li>• MT 4086:</li> <li>• MT 4087:</li> <li>• MT 7358:</li> <li>• MT 7373:</li> <li>• MT 7484:</li> <li>• MT 7639: A1S A1D A1Y</li> <li>• MT 9728: A9S A9D A9Y A5S A5D A5Y</li> </ul>	41A5312	1

Keyboard (Lenovo preferred professional USB -- without hub)	FRU #	CRU
<ul style="list-style-type: none"> <li>• MT 9960: AkS AkD AkY ALS ANS APS AMS</li> <li>• MT 9965: A6S A6D A6Y A7S A7D A7Y A9S ABS ACS</li> <li>• MT 3231, 4085, 6138, 6209, 6239, 6302, 7188, 7244, 7347, 7355, 7571, 7628, 7635, 8494, and 8854_SB</li> </ul>		
<p>Norwegian</p> <ul style="list-style-type: none"> <li>• MT 3063: BSG BUG</li> <li>• MT 3285: A1G</li> <li>• MT 4084: A1G</li> <li>• MT 4086: A1G A2G A3G</li> <li>• MT 4087: A1G A2G</li> <li>• MT 7358: A2G A3G</li> <li>• MT 7373:</li> <li>• MT 7484:</li> <li>• MT 7639: A1G</li> <li>• MT 9728: A5G AGG ATG B1G</li> <li>• MT 9960:</li> <li>• MT 9965: A5G A8G</li> <li>• MT 3231, 4085, 6138, 6209, 6239, 6302, 7188, 7244, 7347, 7355, 7571, 7628, 7635, 8494, and 8854_SB</li> </ul>	41A5313	1
<p>Polish</p> <ul style="list-style-type: none"> <li>• MT 3063: BSG BUG</li> <li>• MT 3285: A1G</li> <li>• MT 4084: A1G</li> <li>• MT 4086: A1G A2G A3G</li> <li>• MT 4087: A1G A2G</li> <li>• MT 7358: A2G A3G</li> <li>• MT 7373:</li> <li>• MT 7484:</li> <li>• MT 7639: A1G</li> <li>• MT 9728: A5G AGG ATG B1G</li> <li>• MT 9960:</li> <li>• MT 9965: A5G A8G</li> <li>• MT 3231, 4085, 6138, 6209, 6239, 6302, 7188, 7244, 7347, 7355, 7571, 7628, 7635, 8494, and 8854_SB</li> </ul>	41A5314	1

Keyboard (Lenovo preferred professional USB -- without hub)	FRU #	CRU
Portuguese <ul style="list-style-type: none"> <li>• MT 3063: BSG BUG</li> <li>• MT 3285: A1G</li> <li>• MT 4084: A1G</li> <li>• MT 4086: A1G A2G A3G</li> <li>• MT 4087: A1G A2G</li> <li>• MT 7358: A2G A3G</li> <li>• MT 7373:</li> <li>• MT 7484:</li> <li>• MT 7639: A1G</li> <li>• MT 9728: A5G AGG ATG B1G</li> <li>• MT 9960:</li> <li>• MT 9965: A5G A8G</li> <li>• MT 3231, 4085, 6138, 6209, 6239, 6302, 7188, 7244, 7347, 7355, 7571, 7628, 7635, 8494, and 8854_SB</li> </ul>	41A5315	1
Romanian <ul style="list-style-type: none"> <li>• MT 3063: BSG BUG</li> <li>• MT 3285: A1G</li> <li>• MT 4084: A1G</li> <li>• MT 4086: A1G A2G A3G</li> <li>• MT 4087: A1G A2G</li> <li>• MT 7358: A2G A3G</li> <li>• MT 7373:</li> <li>• MT 7484:</li> <li>• MT 7639: A1G</li> <li>• MT 9728: A5G AGG ATG B1G</li> <li>• MT 9960:</li> <li>• MT 9965: A5G A8G</li> <li>• MT 3231, 4085, 6138, 6209, 6239, 6302, 7188, 7244, 7347, 7355, 7571, 7628, 7635, 8494, and 8854_SB</li> </ul>	41A5317	1
Romanian <ul style="list-style-type: none"> <li>• MT 3063: BSG BUG</li> <li>• MT 3285: A1G</li> <li>• MT 4084: A1G</li> <li>• MT 4086: A1G A2G A3G</li> <li>• MT 4087: A1G A2G</li> <li>• MT 7358: A2G A3G</li> <li>• MT 7373:</li> <li>• MT 7484:</li> <li>• MT 7639: A1G</li> <li>• MT 9728: A5G AGG ATG B1G</li> <li>• MT 9960:</li> <li>• MT 9965: A5G A8G</li> </ul>	41A5316	1

Keyboard (Lenovo preferred professional USB -- without hub)	FRU #	CRU
<ul style="list-style-type: none"> <li>• MT 3231, 4085, 6138, 6209, 6239, 6302, 7188, 7244, 7347, 7355, 7571, 7628, 7635, 8494, and 8854_SB</li> </ul>		
Russian/Cyrillic <ul style="list-style-type: none"> <li>• MT 3063: BSG BUG</li> <li>• MT 3285: A1G</li> <li>• MT 4084: A1G</li> <li>• MT 4086: A1G A2G A3G</li> <li>• MT 4087: A1G A2G</li> <li>• MT 7358: A2G A3G</li> <li>• MT 7373:</li> <li>• MT 7484:</li> <li>• MT 7639: A1G</li> <li>• MT 9728: A5G AGG ATG B1G</li> <li>• MT 9960:</li> <li>• MT 9965: A5G A8G</li> <li>• MT 3231, 4085, 6138, 6209, 6239, 6302, 7188, 7244, 7347, 7355, 7571, 7628, 7635, 8494, and 8854_SB</li> </ul>	41A5318	1
Serbian/Cyrillic <ul style="list-style-type: none"> <li>• MT 3063: BSG BUG</li> <li>• MT 3285: A1G</li> <li>• MT 4084: A1G</li> <li>• MT 4086: A1G A2G A3G</li> <li>• MT 4087: A1G A2G</li> <li>• MT 7358: A2G A3G</li> <li>• MT 7373:</li> <li>• MT 7484:</li> <li>• MT 7639: A1G</li> <li>• MT 9728: A5G AGG ATG B1G</li> <li>• MT 9960:</li> <li>• MT 9965: A5G A8G</li> <li>• MT 3231, 4085, 6138, 6209, 6239, 6302, 7188, 7244, 7347, 7355, 7571, 7628, 7635, 8494, and 8854_SB</li> </ul>	41A5319	1
Slovak <ul style="list-style-type: none"> <li>• MT 3063: BSG BUG</li> <li>• MT 3285: A1G</li> <li>• MT 4084: A1G</li> <li>• MT 4086: A1G A2G A3G</li> <li>• MT 4087: A1G A2G</li> <li>• MT 7358: A2G A3G</li> <li>• MT 7373:</li> <li>• MT 7484:</li> <li>• MT 7639: A1G</li> <li>• MT 9728: A5G AGG ATG B1G</li> </ul>	41A5320	1

Keyboard (Lenovo preferred professional USB -- without hub)	FRU #	CRU
<ul style="list-style-type: none"> <li>• MT 9960:</li> <li>• MT 9965: A5G A8G</li> <li>• MT 3231, 4085, 6138, 6209, 6239, 6302, 7188, 7244, 7347, 7355, 7571, 7628, 7635, 8494, and 8854_SB</li> </ul>		
<p>Spanish</p> <ul style="list-style-type: none"> <li>• MT 3063: BSG BUG</li> <li>• MT 3285: A1G</li> <li>• MT 4084: A1G</li> <li>• MT 4086: A1G A2G A3G</li> <li>• MT 4087: A1G A2G</li> <li>• MT 7358: A2G A3G</li> <li>• MT 7373:</li> <li>• MT 7484:</li> <li>• MT 7639: A1G</li> <li>• MT 9728: A5G AGG ATG B1G</li> <li>• MT 9960:</li> <li>• MT 9965: A5G A8G</li> <li>• MT 3231, 4085, 6138, 6209, 6239, 6302, 7188, 7244, 7347, 7355, 7571, 7628, 7635, 8494, and 8854_SB</li> </ul>	41A5321	1
<p>Swedish/Finnish</p> <ul style="list-style-type: none"> <li>• MT 3063: BSG BUG</li> <li>• MT 3285: A1G</li> <li>• MT 4084: A1G</li> <li>• MT 4086: A1G A2G A3G</li> <li>• MT 4087: A1G A2G</li> <li>• MT 7358: A2G A3G</li> <li>• MT 7373:</li> <li>• MT 7484:</li> <li>• MT 7639: A1G</li> <li>• MT 9728: A5G AGG ATG B1G</li> <li>• MT 9960:</li> <li>• MT 9965: A5G A8G</li> <li>• MT 3231, 4085, 6138, 6209, 6239, 6302, 7188, 7244, 7347, 7355, 7571, 7628, 7635, 8494, and 8854_SB</li> </ul>	41A5322	1



Keyboard (Lenovo preferred professional USB -- without hub)	FRU #	CRU
SF/G <ul style="list-style-type: none"> <li>• MT 3063: BSG BUG</li> <li>• MT 3285: A1G</li> <li>• MT 4084: A1G</li> <li>• MT 4086: A1G A2G A3G</li> <li>• MT 4087: A1G A2G</li> <li>• MT 7358: A2G A3G</li> <li>• MT 7373:</li> <li>• MT 7484:</li> <li>• MT 7639: A1G</li> <li>• MT 9728: A5G AGG ATG B1G</li> <li>• MT 9960:</li> <li>• MT 9965: A5G A8G</li> <li>• MT 3231, 4085, 6138, 6209, 6239, 6302, 7188, 7244, 7347, 7355, 7571, 7628, 7635, 8494, and 8854_SB</li> </ul>	41A5323	1
Thailand <ul style="list-style-type: none"> <li>• MT 3063: BST</li> <li>• MT 3285: A1T</li> <li>• MT 4084:</li> <li>• MT 4086:</li> <li>• MT 4087:</li> <li>• MT 7358:</li> <li>• MT 7373: E8T E9T EBT ECT EDT D8T F6T F7T F8T</li> <li>• MT 7484: BQT BRT</li> <li>• MT 7639: A1T</li> <li>• MT 9728: AFT ADT A5T</li> <li>• MT 9960:</li> <li>• MT 9965:</li> <li>• MT 3231, 4085, 6138, 6209, 6239, 6302, 7188, 7244, 7347, 7355, 7571, 7628, 7635, 8494, and 8854_SB</li> </ul>	41A5324	1
Turkish <ul style="list-style-type: none"> <li>• MT 3063: BSG BUG</li> <li>• MT 3285: A1G</li> <li>• MT 4084: A1G</li> <li>• MT 4086: A1G A2G A3G</li> <li>• MT 4087: A1G A2G</li> <li>• MT 7358: A2G A3G</li> <li>• MT 7373:</li> <li>• MT 7484:</li> <li>• MT 7639: A1G</li> <li>• MT 9728: A5G AGG ATG B1G</li> <li>• MT 9960:</li> <li>• MT 9965: A5G A8G</li> </ul>	41A5325	1

Keyboard (Lenovo preferred professional USB -- without hub)	FRU #	CRU
<ul style="list-style-type: none"> <li>• MT 3231, 4085, 6138, 6209, 6239, 6302, 7188, 7244, 7347, 7355, 7571, 7628, 7635, 8494, and 8854_SB</li> </ul>		
<p>Turkish</p> <ul style="list-style-type: none"> <li>• MT 3063: BSG BUG</li> <li>• MT 3285: A1G</li> <li>• MT 4084: A1G</li> <li>• MT 4086: A1G A2G A3G</li> <li>• MT 4087: A1G A2G</li> <li>• MT 7358: A2G A3G</li> <li>• MT 7373:</li> <li>• MT 7484:</li> <li>• MT 7639: A1G</li> <li>• MT 9728: A5G AGG ATG B1G</li> <li>• MT 9960:</li> <li>• MT 9965: A5G A8G</li> <li>• MT 3231, 4085, 6138, 6209, 6239, 6302, 7188, 7244, 7347, 7355, 7571, 7628, 7635, 8494, and 8854_SB</li> </ul>	41A5326	1
<p>UK English</p> <ul style="list-style-type: none"> <li>• MT 3063: BSG BUG</li> <li>• MT 3285: A1G</li> <li>• MT 4084: A1G</li> <li>• MT 4086: A1G A2G A3G</li> <li>• MT 4087: A1G A2G</li> <li>• MT 7358: A2G A3G</li> <li>• MT 7373:</li> <li>• MT 7484:</li> <li>• MT 7639: A1G</li> <li>• MT 9728: A5G AGG ATG B1G</li> <li>• MT 9960:</li> <li>• MT 9965: A5G A8G</li> <li>• MT 3231, 4085, 6138, 6209, 6239, 6302, 7188, 7244, 7347, 7355, 7571, 7628, 7635, 8494, and 8854_SB</li> </ul>	41A5327	1
<p>US European</p> <ul style="list-style-type: none"> <li>• MT 3063: BSG BUG</li> <li>• MT 3285: A1G</li> <li>• MT 4084: A1G</li> <li>• MT 4086: A1G A2G A3G</li> <li>• MT 4087: A1G A2G</li> <li>• MT 7358: A2G A3G</li> <li>• MT 7373:</li> <li>• MT 7484:</li> <li>• MT 7639: A1G</li> <li>• MT 9728: A5G AGG ATG B1G</li> </ul>	41A5328	1

Keyboard (Lenovo preferred professional USB -- without hub)	FRU #	CRU
<ul style="list-style-type: none"> <li>• MT 9960:</li> <li>• MT 9965: A5G A8G</li> <li>• MT 3231, 4085, 6138, 6209, 6239, 6302, 7188, 7244, 7347, 7355, 7571, 7628, 7635, 8494, and 8854_SB</li> </ul>		
<p>Slovenian</p> <ul style="list-style-type: none"> <li>• MT 3063: BSG BUG</li> <li>• MT 3285:</li> <li>• MT 4084: A1G</li> <li>• MT 4086: A1G A2G A3G</li> <li>• MT 4087: A1G A2G</li> <li>• MT 7358: A2G A3G</li> <li>• MT 7373:</li> <li>• MT 7484:</li> <li>• MT 7639: A1G</li> <li>• MT 9728:</li> <li>• MT 9960:</li> <li>• MT 9965:</li> <li>• MT 3231, 4085, 6138, 6209, 6239, 6302, 7188, 7244, 7347, 7355, 7571, 7628, 7635, 8494, and 8854_SB</li> </ul>	41A5329	1
<p>Arabic (New)</p> <ul style="list-style-type: none"> <li>• MT 3063: BSG BUG</li> <li>• MT 3285: A1G</li> <li>• MT 4084: A1G</li> <li>• MT 4086: A1G A2G A3G</li> <li>• MT 4087: A1G A2G</li> <li>• MT 7358: A2G A3G</li> <li>• MT 7373:</li> <li>• MT 7484:</li> <li>• MT 7639: A1G</li> <li>• MT 9728: A5G AGG ATG B1G</li> <li>• MT 9960:</li> <li>• MT 9965: A5G A8G</li> <li>• MT 3231, 4085, 6138, 6209, 6239, 6302, 7188, 7244, 7347, 7355, 7571, 7628, 7635, 8494, and 8854_SB</li> </ul>	45J4880	1
<p>Lithuanian</p> <ul style="list-style-type: none"> <li>• MT 3063: BSG BUG</li> <li>• MT 3285:</li> <li>• MT 4084: A1G</li> <li>• MT 4086: A1G A2G A3G</li> <li>• MT 4087: A1G A2G</li> <li>• MT 7358: A2G A3G</li> <li>• MT 7373:</li> <li>• MT 7484:</li> </ul>	45J4896	1

Keyboard (Lenovo preferred professional USB -- without hub)	FRU #	CRU
<ul style="list-style-type: none"> <li>• MT 7639: A1G</li> <li>• MT 9728:</li> <li>• MT 9960:</li> <li>• MT 9965:</li> <li>• MT 3231, 4085, 6138, 6209, 6239, 6302, 7188, 7244, 7347, 7355, 7571, 7628, 7635, 8494, and 8854_SB</li> </ul>		

Keyboard (Lenovo fingerprint reader USB)	FRU #	CRU
US English <ul style="list-style-type: none"> <li>• MT 3063:</li> <li>• MT 3285:</li> <li>• MT 4084:</li> <li>• MT 4086:</li> <li>• MT 4087:</li> <li>• MT 7358:</li> <li>• MT 7373:</li> <li>• MT 7484:</li> <li>• MT 7639:</li> <li>• MT 9728:</li> <li>• MT 9960:</li> <li>• MT 9965:</li> <li>• MT 3231, 4085, 6138, 6209, 6239, 6302, 7188, 7244, 7347, 7355, 7571, 7628, 7635, 8494, and 8854_SB</li> </ul>	57Y4780	1
Arabic <ul style="list-style-type: none"> <li>• MT 3063:</li> <li>• MT 3285:</li> <li>• MT 4084:</li> <li>• MT 4086:</li> <li>• MT 4087:</li> <li>• MT 7358:</li> <li>• MT 7373:</li> <li>• MT 7484:</li> <li>• MT 7639:</li> <li>• MT 9728:</li> <li>• MT 9960:</li> <li>• MT 9965:</li> <li>• MT 3231, 4085, 6138, 6209, 6239, 6302, 7188, 7244, 7347, 7355, 7571, 7628, 7635, 8494, and 8854_SB</li> </ul>	57Y4781	1

Keyboard (Lenovo fingerprint reader USB)	FRU #	CRU
A/F <ul style="list-style-type: none"> <li>• MT 3063:</li> <li>• MT 3285:</li> <li>• MT 4084:</li> <li>• MT 4086:</li> <li>• MT 4087:</li> <li>• MT 7358:</li> <li>• MT 7373:</li> <li>• MT 7484:</li> <li>• MT 7639:</li> <li>• MT 9728:</li> <li>• MT 9960:</li> <li>• MT 9965:</li> <li>• MT 3231, 4085, 6138, 6209, 6239, 6302, 7188, 7244, 7347, 7355, 7571, 7628, 7635, 8494, and 8854_SB</li> </ul>	57Y4782	1
Belgium French <ul style="list-style-type: none"> <li>• MT 3063:</li> <li>• MT 3285:</li> <li>• MT 4084:</li> <li>• MT 4086:</li> <li>• MT 4087:</li> <li>• MT 7358:</li> <li>• MT 7373:</li> <li>• MT 7484:</li> <li>• MT 7639:</li> <li>• MT 9728:</li> <li>• MT 9960:</li> <li>• MT 9965:</li> <li>• MT 3231, 4085, 6138, 6209, 6239, 6302, 7188, 7244, 7347, 7355, 7571, 7628, 7635, 8494, and 8854_SB</li> </ul>	57Y4783	1
Belgium English <ul style="list-style-type: none"> <li>• MT 3063:</li> <li>• MT 3285:</li> <li>• MT 4084:</li> <li>• MT 4086:</li> <li>• MT 4087:</li> <li>• MT 7358:</li> <li>• MT 7373:</li> <li>• MT 7484:</li> <li>• MT 7639:</li> <li>• MT 9728:</li> <li>• MT 9960:</li> <li>• MT 9965:</li> </ul>	57Y4784	1

Keyboard (Lenovo fingerprint reader USB)	FRU #	CRU
<ul style="list-style-type: none"> <li>• MT 3231, 4085, 6138, 6209, 6239, 6302, 7188, 7244, 7347, 7355, 7571, 7628, 7635, 8494, and 8854_SB</li> </ul>		
Brazilian Portuguese <ul style="list-style-type: none"> <li>• MT 3063:</li> <li>• MT 3285:</li> <li>• MT 4084:</li> <li>• MT 4086:</li> <li>• MT 4087:</li> <li>• MT 7358:</li> <li>• MT 7373:</li> <li>• MT 7484:</li> <li>• MT 7639:</li> <li>• MT 9728:</li> <li>• MT 9960:</li> <li>• MT 9965:</li> <li>• MT 3231, 4085, 6138, 6209, 6239, 6302, 7188, 7244, 7347, 7355, 7571, 7628, 7635, 8494, and 8854_SB</li> </ul>	57Y4785	1
Bulgarian <ul style="list-style-type: none"> <li>• MT 3063:</li> <li>• MT 3285:</li> <li>• MT 4084:</li> <li>• MT 4086:</li> <li>• MT 4087:</li> <li>• MT 7358:</li> <li>• MT 7373:</li> <li>• MT 7484:</li> <li>• MT 7639:</li> <li>• MT 9728:</li> <li>• MT 9960:</li> <li>• MT 9965:</li> <li>• MT 3231, 4085, 6138, 6209, 6239, 6302, 7188, 7244, 7347, 7355, 7571, 7628, 7635, 8494, and 8854_SB</li> </ul>	57Y4786	1
Chinese/US <ul style="list-style-type: none"> <li>• MT 3063:</li> <li>• MT 3285:</li> <li>• MT 4084:</li> <li>• MT 4086:</li> <li>• MT 4087:</li> <li>• MT 7358:</li> <li>• MT 7373:</li> <li>• MT 7484:</li> <li>• MT 7639:</li> <li>• MT 9728:</li> </ul>	57Y4787	1

Keyboard (Lenovo fingerprint reader USB)	FRU #	CRU
<ul style="list-style-type: none"> <li>• MT 9960:</li> <li>• MT 9965:</li> <li>• MT 3231, 4085, 6138, 6209, 6239, 6302, 7188, 7244, 7347, 7355, 7571, 7628, 7635, 8494, and 8854_SB</li> </ul>		
Czech (ABB) <ul style="list-style-type: none"> <li>• MT 3063:</li> <li>• MT 3285:</li> <li>• MT 4084:</li> <li>• MT 4086:</li> <li>• MT 4087:</li> <li>• MT 7358:</li> <li>• MT 7373:</li> <li>• MT 7484:</li> <li>• MT 7639:</li> <li>• MT 9728:</li> <li>• MT 9960:</li> <li>• MT 9965:</li> <li>• MT 3231, 4085, 6138, 6209, 6239, 6302, 7188, 7244, 7347, 7355, 7571, 7628, 7635, 8494, and 8854_SB</li> </ul>	57Y4788	1
Danish <ul style="list-style-type: none"> <li>• MT 3063:</li> <li>• MT 3285:</li> <li>• MT 4084:</li> <li>• MT 4086:</li> <li>• MT 4087:</li> <li>• MT 7358:</li> <li>• MT 7373:</li> <li>• MT 7484:</li> <li>• MT 7639:</li> <li>• MT 9728:</li> <li>• MT 9960:</li> <li>• MT 9965:</li> <li>• MT 3231, 4085, 6138, 6209, 6239, 6302, 7188, 7244, 7347, 7355, 7571, 7628, 7635, 8494, and 8854_SB</li> </ul>	57Y4789	1

Keyboard (Lenovo fingerprint reader USB)	FRU #	CRU
Dutch <ul style="list-style-type: none"> <li>• MT 3063:</li> <li>• MT 3285:</li> <li>• MT 4084:</li> <li>• MT 4086:</li> <li>• MT 4087:</li> <li>• MT 7358:</li> <li>• MT 7373:</li> <li>• MT 7484:</li> <li>• MT 7639:</li> <li>• MT 9728:</li> <li>• MT 9960:</li> <li>• MT 9965:</li> <li>• MT 3231, 4085, 6138, 6209, 6239, 6302, 7188, 7244, 7347, 7355, 7571, 7628, 7635, 8494, and 8854_SB</li> </ul>	57Y4790	1
French <ul style="list-style-type: none"> <li>• MT 3063:</li> <li>• MT 3285:</li> <li>• MT 4084:</li> <li>• MT 4086:</li> <li>• MT 4087:</li> <li>• MT 7358:</li> <li>• MT 7373:</li> <li>• MT 7484:</li> <li>• MT 7639:</li> <li>• MT 9728:</li> <li>• MT 9960:</li> <li>• MT 9965:</li> <li>• MT 3231, 4085, 6138, 6209, 6239, 6302, 7188, 7244, 7347, 7355, 7571, 7628, 7635, 8494, and 8854_SB</li> </ul>	57Y4791	1
French Canadian <ul style="list-style-type: none"> <li>• MT 3063:</li> <li>• MT 3285:</li> <li>• MT 4084:</li> <li>• MT 4086:</li> <li>• MT 4087:</li> <li>• MT 7358:</li> <li>• MT 7373:</li> <li>• MT 7484:</li> <li>• MT 7639:</li> <li>• MT 9728:</li> <li>• MT 9960:</li> <li>• MT 9965:</li> </ul>	57Y4792	1



Keyboard (Lenovo fingerprint reader USB)	FRU #	CRU
<ul style="list-style-type: none"> <li>• MT 3231, 4085, 6138, 6209, 6239, 6302, 7188, 7244, 7347, 7355, 7571, 7628, 7635, 8494, and 8854_SB</li> </ul>		
<p>French Canadian</p> <ul style="list-style-type: none"> <li>• MT 3063:</li> <li>• MT 3285:</li> <li>• MT 4084:</li> <li>• MT 4086:</li> <li>• MT 4087:</li> <li>• MT 7358:</li> <li>• MT 7373:</li> <li>• MT 7484:</li> <li>• MT 7639:</li> <li>• MT 9728:</li> <li>• MT 9960:</li> <li>• MT 9965:</li> <li>• MT 3231, 4085, 6138, 6209, 6239, 6302, 7188, 7244, 7347, 7355, 7571, 7628, 7635, 8494, and 8854_SB</li> </ul>	57Y4793	1
<p>German</p> <ul style="list-style-type: none"> <li>• MT 3063:</li> <li>• MT 3285:</li> <li>• MT 4084:</li> <li>• MT 4086:</li> <li>• MT 4087:</li> <li>• MT 7358:</li> <li>• MT 7373:</li> <li>• MT 7484:</li> <li>• MT 7639:</li> <li>• MT 9728:</li> <li>• MT 9960:</li> <li>• MT 9965:</li> <li>• MT 3231, 4085, 6138, 6209, 6239, 6302, 7188, 7244, 7347, 7355, 7571, 7628, 7635, 8494, and 8854_SB</li> </ul>	57Y4794	1
<p>Greek</p> <ul style="list-style-type: none"> <li>• MT 3063:</li> <li>• MT 3285:</li> <li>• MT 4084:</li> <li>• MT 4086:</li> <li>• MT 4087:</li> <li>• MT 7358:</li> <li>• MT 7373:</li> <li>• MT 7484:</li> <li>• MT 7639:</li> <li>• MT 9728:</li> </ul>	57Y4795	1

Keyboard (Lenovo fingerprint reader USB)	FRU #	CRU
<ul style="list-style-type: none"> <li>• MT 9960:</li> <li>• MT 9965:</li> <li>• MT 3231, 4085, 6138, 6209, 6239, 6302, 7188, 7244, 7347, 7355, 7571, 7628, 7635, 8494, and 8854_SB</li> </ul>		
<p>Greek/US</p> <ul style="list-style-type: none"> <li>• MT 3063:</li> <li>• MT 3285:</li> <li>• MT 4084:</li> <li>• MT 4086:</li> <li>• MT 4087:</li> <li>• MT 7358:</li> <li>• MT 7373:</li> <li>• MT 7484:</li> <li>• MT 7639:</li> <li>• MT 9728:</li> <li>• MT 9960:</li> <li>• MT 9965:</li> <li>• MT 3231, 4085, 6138, 6209, 6239, 6302, 7188, 7244, 7347, 7355, 7571, 7628, 7635, 8494, and 8854_SB</li> </ul>	57Y4796	1
<p>Hebrew</p> <ul style="list-style-type: none"> <li>• MT 3063:</li> <li>• MT 3285:</li> <li>• MT 4084:</li> <li>• MT 4086:</li> <li>• MT 4087:</li> <li>• MT 7358:</li> <li>• MT 7373:</li> <li>• MT 7484:</li> <li>• MT 7639:</li> <li>• MT 9728:</li> <li>• MT 9960:</li> <li>• MT 9965:</li> <li>• MT 3231, 4085, 6138, 6209, 6239, 6302, 7188, 7244, 7347, 7355, 7571, 7628, 7635, 8494, and 8854_SB</li> </ul>	57Y4797	1

Keyboard (Lenovo fingerprint reader USB)	FRU #	CRU
Hungarian <ul style="list-style-type: none"> <li>• MT 3063:</li> <li>• MT 3285:</li> <li>• MT 4084:</li> <li>• MT 4086:</li> <li>• MT 4087:</li> <li>• MT 7358:</li> <li>• MT 7373:</li> <li>• MT 7484:</li> <li>• MT 7639:</li> <li>• MT 9728:</li> <li>• MT 9960:</li> <li>• MT 9965:</li> <li>• MT 3231, 4085, 6138, 6209, 6239, 6302, 7188, 7244, 7347, 7355, 7571, 7628, 7635, 8494, and 8854_SB</li> </ul>	57Y4798	1
Iceland <ul style="list-style-type: none"> <li>• MT 3063:</li> <li>• MT 3285:</li> <li>• MT 4084:</li> <li>• MT 4086:</li> <li>• MT 4087:</li> <li>• MT 7358:</li> <li>• MT 7373:</li> <li>• MT 7484:</li> <li>• MT 7639:</li> <li>• MT 9728:</li> <li>• MT 9960:</li> <li>• MT 9965:</li> <li>• MT 3231, 4085, 6138, 6209, 6239, 6302, 7188, 7244, 7347, 7355, 7571, 7628, 7635, 8494, and 8854_SB</li> </ul>	57Y4799	1
Italy <ul style="list-style-type: none"> <li>• MT 3063:</li> <li>• MT 3285:</li> <li>• MT 4084:</li> <li>• MT 4086:</li> <li>• MT 4087:</li> <li>• MT 7358:</li> <li>• MT 7373:</li> <li>• MT 7484:</li> <li>• MT 7639:</li> <li>• MT 9728:</li> <li>• MT 9960:</li> <li>• MT 9965:</li> </ul>	57Y4800	1

Keyboard (Lenovo fingerprint reader USB)	FRU #	CRU
<ul style="list-style-type: none"> <li>• MT 3231, 4085, 6138, 6209, 6239, 6302, 7188, 7244, 7347, 7355, 7571, 7628, 7635, 8494, and 8854_SB</li> </ul>		
<p>Japanese</p> <ul style="list-style-type: none"> <li>• MT 3063:</li> <li>• MT 3285:</li> <li>• MT 4084:</li> <li>• MT 4086:</li> <li>• MT 4087:</li> <li>• MT 7358:</li> <li>• MT 7373:</li> <li>• MT 7484:</li> <li>• MT 7639:</li> <li>• MT 9728:</li> <li>• MT 9960:</li> <li>• MT 9965:</li> <li>• MT 3231, 4085, 6138, 6209, 6239, 6302, 7188, 7244, 7347, 7355, 7571, 7628, 7635, 8494, and 8854_SB</li> </ul>	57Y4801	1
<p>Korean</p> <ul style="list-style-type: none"> <li>• MT 3063:</li> <li>• MT 3285:</li> <li>• MT 4084:</li> <li>• MT 4086:</li> <li>• MT 4087:</li> <li>• MT 7358:</li> <li>• MT 7373:</li> <li>• MT 7484:</li> <li>• MT 7639:</li> <li>• MT 9728:</li> <li>• MT 9960:</li> <li>• MT 9965:</li> <li>• MT 3231, 4085, 6138, 6209, 6239, 6302, 7188, 7244, 7347, 7355, 7571, 7628, 7635, 8494, and 8854_SB</li> </ul>	57Y4802	1
<p>LA Spanish</p> <ul style="list-style-type: none"> <li>• MT 3063:</li> <li>• MT 3285:</li> <li>• MT 4084:</li> <li>• MT 4086:</li> <li>• MT 4087:</li> <li>• MT 7358:</li> <li>• MT 7373:</li> <li>• MT 7484:</li> <li>• MT 7639:</li> <li>• MT 9728:</li> </ul>	57Y4803	1

Keyboard (Lenovo fingerprint reader USB)	FRU #	CRU
<ul style="list-style-type: none"> <li>• MT 9960:</li> <li>• MT 9965:</li> <li>• MT 3231, 4085, 6138, 6209, 6239, 6302, 7188, 7244, 7347, 7355, 7571, 7628, 7635, 8494, and 8854_SB</li> </ul>		
<p>Norwegian</p> <ul style="list-style-type: none"> <li>• MT 3063:</li> <li>• MT 3285:</li> <li>• MT 4084:</li> <li>• MT 4086:</li> <li>• MT 4087:</li> <li>• MT 7358:</li> <li>• MT 7373:</li> <li>• MT 7484:</li> <li>• MT 7639:</li> <li>• MT 9728:</li> <li>• MT 9960:</li> <li>• MT 9965:</li> <li>• MT 3231, 4085, 6138, 6209, 6239, 6302, 7188, 7244, 7347, 7355, 7571, 7628, 7635, 8494, and 8854_SB</li> </ul>	57Y4804	1
<p>Polish</p> <ul style="list-style-type: none"> <li>• MT 3063:</li> <li>• MT 3285:</li> <li>• MT 4084:</li> <li>• MT 4086:</li> <li>• MT 4087:</li> <li>• MT 7358:</li> <li>• MT 7373:</li> <li>• MT 7484:</li> <li>• MT 7639:</li> <li>• MT 9728:</li> <li>• MT 9960:</li> <li>• MT 9965:</li> <li>• MT 3231, 4085, 6138, 6209, 6239, 6302, 7188, 7244, 7347, 7355, 7571, 7628, 7635, 8494, and 8854_SB</li> </ul>	57Y4805	1

Keyboard (Lenovo fingerprint reader USB)	FRU #	CRU
Portuguese <ul style="list-style-type: none"> <li>• MT 3063:</li> <li>• MT 3285:</li> <li>• MT 4084:</li> <li>• MT 4086:</li> <li>• MT 4087:</li> <li>• MT 7358:</li> <li>• MT 7373:</li> <li>• MT 7484:</li> <li>• MT 7639:</li> <li>• MT 9728:</li> <li>• MT 9960:</li> <li>• MT 9965:</li> <li>• MT 3231, 4085, 6138, 6209, 6239, 6302, 7188, 7244, 7347, 7355, 7571, 7628, 7635, 8494, and 8854_SB</li> </ul>	57Y4806	1
Romanian <ul style="list-style-type: none"> <li>• MT 3063:</li> <li>• MT 3285:</li> <li>• MT 4084:</li> <li>• MT 4086:</li> <li>• MT 4087:</li> <li>• MT 7358:</li> <li>• MT 7373:</li> <li>• MT 7484:</li> <li>• MT 7639:</li> <li>• MT 9728:</li> <li>• MT 9960:</li> <li>• MT 9965:</li> <li>• MT 3231, 4085, 6138, 6209, 6239, 6302, 7188, 7244, 7347, 7355, 7571, 7628, 7635, 8494, and 8854_SB</li> </ul>	57Y4808	1
Romanian <ul style="list-style-type: none"> <li>• MT 3063:</li> <li>• MT 3285:</li> <li>• MT 4084:</li> <li>• MT 4086:</li> <li>• MT 4087:</li> <li>• MT 7358:</li> <li>• MT 7373:</li> <li>• MT 7484:</li> <li>• MT 7639:</li> <li>• MT 9728:</li> <li>• MT 9960:</li> <li>• MT 9965:</li> </ul>	57Y4806	1

Keyboard (Lenovo fingerprint reader USB)	FRU #	CRU
<ul style="list-style-type: none"> <li>• MT 3231, 4085, 6138, 6209, 6239, 6302, 7188, 7244, 7347, 7355, 7571, 7628, 7635, 8494, and 8854_SB</li> </ul>		
Russian/Cyrillic <ul style="list-style-type: none"> <li>• MT 3063:</li> <li>• MT 3285:</li> <li>• MT 4084:</li> <li>• MT 4086:</li> <li>• MT 4087:</li> <li>• MT 7358:</li> <li>• MT 7373:</li> <li>• MT 7484:</li> <li>• MT 7639:</li> <li>• MT 9728:</li> <li>• MT 9960:</li> <li>• MT 9965:</li> <li>• MT 3231, 4085, 6138, 6209, 6239, 6302, 7188, 7244, 7347, 7355, 7571, 7628, 7635, 8494, and 8854_SB</li> </ul>	57Y4809	1
Serbian/Cyrillic <ul style="list-style-type: none"> <li>• MT 3063:</li> <li>• MT 3285:</li> <li>• MT 4084:</li> <li>• MT 4086:</li> <li>• MT 4087:</li> <li>• MT 7358:</li> <li>• MT 7373:</li> <li>• MT 7484:</li> <li>• MT 7639:</li> <li>• MT 9728:</li> <li>• MT 9960:</li> <li>• MT 9965:</li> <li>• MT 3231, 4085, 6138, 6209, 6239, 6302, 7188, 7244, 7347, 7355, 7571, 7628, 7635, 8494, and 8854_SB</li> </ul>	57Y4810	1
Slovak <ul style="list-style-type: none"> <li>• MT 3063:</li> <li>• MT 3285:</li> <li>• MT 4084:</li> <li>• MT 4086:</li> <li>• MT 4087:</li> <li>• MT 7358:</li> <li>• MT 7373:</li> <li>• MT 7484:</li> <li>• MT 7639:</li> <li>• MT 9728:</li> </ul>	57Y4811	1

Keyboard (Lenovo fingerprint reader USB)	FRU #	CRU
<ul style="list-style-type: none"> <li>• MT 9960:</li> <li>• MT 9965:</li> <li>• MT 3231, 4085, 6138, 6209, 6239, 6302, 7188, 7244, 7347, 7355, 7571, 7628, 7635, 8494, and 8854_SB</li> </ul>		
Spanish <ul style="list-style-type: none"> <li>• MT 3063:</li> <li>• MT 3285:</li> <li>• MT 4084:</li> <li>• MT 4086:</li> <li>• MT 4087:</li> <li>• MT 7358:</li> <li>• MT 7373:</li> <li>• MT 7484:</li> <li>• MT 7639:</li> <li>• MT 9728:</li> <li>• MT 9960:</li> <li>• MT 9965:</li> <li>• MT 3231, 4085, 6138, 6209, 6239, 6302, 7188, 7244, 7347, 7355, 7571, 7628, 7635, 8494, and 8854_SB</li> </ul>	57Y4812	1
Swedish/Finnish <ul style="list-style-type: none"> <li>• MT 3063:</li> <li>• MT 3285:</li> <li>• MT 4084:</li> <li>• MT 4086:</li> <li>• MT 4087:</li> <li>• MT 7358:</li> <li>• MT 7373:</li> <li>• MT 7484:</li> <li>• MT 7639:</li> <li>• MT 9728:</li> <li>• MT 9960:</li> <li>• MT 9965:</li> <li>• MT 3231, 4085, 6138, 6209, 6239, 6302, 7188, 7244, 7347, 7355, 7571, 7628, 7635, 8494, and 8854_SB</li> </ul>	57Y4813	1



Keyboard (Lenovo fingerprint reader USB)	FRU #	CRU
Swiss French/German <ul style="list-style-type: none"> <li>• MT 3063:</li> <li>• MT 3285:</li> <li>• MT 4084:</li> <li>• MT 4086:</li> <li>• MT 4087:</li> <li>• MT 7358:</li> <li>• MT 7373:</li> <li>• MT 7484:</li> <li>• MT 7639:</li> <li>• MT 9728:</li> <li>• MT 9960:</li> <li>• MT 9965:</li> <li>• MT 3231, 4085, 6138, 6209, 6239, 6302, 7188, 7244, 7347, 7355, 7571, 7628, 7635, 8494, and 8854_SB</li> </ul>	57Y4814	1
Thailand <ul style="list-style-type: none"> <li>• MT 3063:</li> <li>• MT 3285:</li> <li>• MT 4084:</li> <li>• MT 4086:</li> <li>• MT 4087:</li> <li>• MT 7358:</li> <li>• MT 7373:</li> <li>• MT 7484:</li> <li>• MT 7639:</li> <li>• MT 9728:</li> <li>• MT 9960:</li> <li>• MT 9965:</li> <li>• MT 3231, 4085, 6138, 6209, 6239, 6302, 7188, 7244, 7347, 7355, 7571, 7628, 7635, 8494, and 8854_SB</li> </ul>	57Y4815	1
Turkish <ul style="list-style-type: none"> <li>• MT 3063:</li> <li>• MT 3285:</li> <li>• MT 4084:</li> <li>• MT 4086:</li> <li>• MT 4087:</li> <li>• MT 7358:</li> <li>• MT 7373:</li> <li>• MT 7484:</li> <li>• MT 7639:</li> <li>• MT 9728:</li> <li>• MT 9960:</li> <li>• MT 9965:</li> </ul>	57Y4816	1

Keyboard (Lenovo fingerprint reader USB)	FRU #	CRU
<ul style="list-style-type: none"> <li>• MT 3231, 4085, 6138, 6209, 6239, 6302, 7188, 7244, 7347, 7355, 7571, 7628, 7635, 8494, and 8854_SB</li> </ul>		
<p>Turkish</p> <ul style="list-style-type: none"> <li>• MT 3063:</li> <li>• MT 3285:</li> <li>• MT 4084:</li> <li>• MT 4086:</li> <li>• MT 4087:</li> <li>• MT 7358:</li> <li>• MT 7373:</li> <li>• MT 7484:</li> <li>• MT 7639:</li> <li>• MT 9728:</li> <li>• MT 9960:</li> <li>• MT 9965:</li> <li>• MT 3231, 4085, 6138, 6209, 6239, 6302, 7188, 7244, 7347, 7355, 7571, 7628, 7635, 8494, and 8854_SB</li> </ul>	57Y4817	1
<p>UK English</p> <ul style="list-style-type: none"> <li>• MT 3063:</li> <li>• MT 3285:</li> <li>• MT 4084:</li> <li>• MT 4086:</li> <li>• MT 4087:</li> <li>• MT 7358:</li> <li>• MT 7373:</li> <li>• MT 7484:</li> <li>• MT 7639:</li> <li>• MT 9728:</li> <li>• MT 9960:</li> <li>• MT 9965:</li> <li>• MT 3231, 4085, 6138, 6209, 6239, 6302, 7188, 7244, 7347, 7355, 7571, 7628, 7635, 8494, and 8854_SB</li> </ul>	57Y4818	1
<p>US European</p> <ul style="list-style-type: none"> <li>• MT 3063:</li> <li>• MT 3285:</li> <li>• MT 4084:</li> <li>• MT 4086:</li> <li>• MT 4087:</li> <li>• MT 7358:</li> <li>• MT 7373:</li> <li>• MT 7484:</li> <li>• MT 7639:</li> <li>• MT 9728:</li> </ul>	57Y4819	1

Keyboard (Lenovo fingerprint reader USB)	FRU #	CRU
<ul style="list-style-type: none"> <li>• MT 9960:</li> <li>• MT 9965:</li> <li>• MT 3231, 4085, 6138, 6209, 6239, 6302, 7188, 7244, 7347, 7355, 7571, 7628, 7635, 8494, and 8854_SB</li> </ul>		
Slovenian <ul style="list-style-type: none"> <li>• MT 3063:</li> <li>• MT 3285:</li> <li>• MT 4084:</li> <li>• MT 4086:</li> <li>• MT 4087:</li> <li>• MT 7358:</li> <li>• MT 7373:</li> <li>• MT 7484:</li> <li>• MT 7639:</li> <li>• MT 9728:</li> <li>• MT 9960:</li> <li>• MT 9965:</li> <li>• MT 3231, 4085, 6138, 6209, 6239, 6302, 7188, 7244, 7347, 7355, 7571, 7628, 7635, 8494, and 8854_SB</li> </ul>	57Y4820	1

Mice	FRU #	CRU
Optical wheel mouse (400 DPI), USB - red wheel (primary) <ul style="list-style-type: none"> <li>• MT 3063: BGH BHH B4M B5M BJJ BKJ BLJ BMJ BNJ BPJ BDJ BFJ B6U B6F B7U B7F B8U B8F B9U B9F BBU BBF BCS BCP BCL BCD BCY BSG BUG BSU BSF BSS BSP BSL BSD BSY BSM BSA BSQ BST BSC BSB BSH BSV BSK BSR BSE BSJ BVU BVF BWQ CAJ CBJ</li> <li>• MT 3285: A1U A1F A1S A1P A1L A1D A1Y A1G A1M A1A A1Q A1T A1C A1B A1H A1V A1K A1R A1E A1J A2Q</li> <li>• MT 4084: A1G</li> <li>• MT 4086: A1G A2G A3G</li> <li>• MT 4087: A1G A2G</li> <li>• MT 7358: A2G A3G</li> <li>• MT 7373: E8A E8T E9A E9T EBA EBT ECA ECT EDA EDT D8M D8A D8T D9M E1M E2M E3U E3F E4U E4F E5U E5F E6U E6F E7U E7F EFQ EGU EGF EHV EJV EKV ELV EMV ENV EPV EQV ERV ESV ETV EUV EVV EWW F1V F2V F3V F4V F5V F6A F6T F7A F7T F8A F8T F9U F9F F9L FBU FBF FBL FEQ FFQ FCU FCF FGM</li> <li>• MT 7484: BQA BQT BRA BRT BNM BPM BMM DIU DIF D8V D2V D3V D4V D5V D6V D7V E1U E1F D9U D9F E2M</li> <li>• MT 7639: A1U A1F A1S A1P A1L A1D A1Y A1M A1A A1Q A1T A1C A1B A1H A1V A1K A1R A1E A1J A2Q</li> <li>• MT 9728: A3H A4H AFA AFT ADA ADT A1J A2J ABM ACM A6U A6F A7U A7F A8U A8F A9S A9P A9L A9D A9Y A5U A5F A5S A5P A5L A5D A5Y A5G A5M A5A A5Q A5T A5C A5B A5H A5V A5K A5R A5E A5J AGG ATG AUQ B1G</li> <li>• MT 9960: AKU AKF AKS AKP AKD AKY ALU ALF ALS ANU ANF ANS APU APF APS AMU AMF AMS</li> </ul>	41U3013	1

Mice	FRU #	CRU
<ul style="list-style-type: none"> <li>• MT 9965: A5G A6U A6F A6S A6P A6D A6Y A7U A7F A7S A7P A7D A7Y A8G A9U A9F A9S ABU ABF ABS ACU ACF ACS</li> <li>• MT 3231, 4085, 6138, 6209, 6239, 6302, 7188, 7244, 7347, 7355, 7571, 7628, 7635, 8494, and 8854_SB</li> </ul>		
<p>Optical wheel mouse (400 DPI), USB - red wheel (secondary)</p> <ul style="list-style-type: none"> <li>• MT 3063: BGH BHH B4M B5M BJJ BKJ BLJ BMJ BNJ BPJ BDJ BFJ B6U B6F B7U B7F B8U B8F B9U B9F BBU BBF BCS BCP BCL BCD BCU BSG BUG BSU BSF BSS BSP BSL BSD BSY BSM BSA BSQ BST BSC BSB BSH BSV BSK BSR BSE BSJ BVU BVF BWQ CAJ CBJ</li> <li>• MT 3285: A1U A1F A1S A1P A1L A1D A1Y A1G A1M A1A A1Q A1T A1C A1B A1H A1V A1K A1R A1E A1J A2Q</li> <li>• MT 4084: A1G</li> <li>• MT 4086: A1G A2G A3G</li> <li>• MT 4087: A1G A2G</li> <li>• MT 7358: A2G A3G</li> <li>• MT 7373: E8A E8T E9A E9T EBA EBT ECA ECT EDA EDT D8M D8A D8T D9M E1M E2M E3U E3F E4U E4F E5U E5F E6U E6F E7U E7F EFQ EGU EGF EHV EJV EKV ELV EMV ENV EPV EQV ERV ESV ETV EUV EVV EWW F1V F2V F3V F4V F5V F6A F6T F7A F7T F8A F8T F9U F9F F9L FBU FBF FBL FEQ FFQ FCU FCF FGM</li> <li>• MT 7484: BQA BQT BRA BRT BNM BPM BMM DIU DIF D8V D2V D3V D4V D5V D6V D7V E1U E1F D9U D9F E2M</li> <li>• MT 7639: A1U A1F A1S A1P A1L A1D A1Y A1M A1A A1Q A1T A1C A1B A1H A1V A1K A1R A1E A1J A2Q</li> <li>• MT 9728: A3H A4H AFA AFT ADA ADT A1J A2J ABM ACM A6U A6F A7U A7F A8U A8F A9S A9P A9L A9D A9Y A5U A5F A5S A5P A5L A5D A5Y A5G A5M A5A A5Q A5T A5C A5B A5H A5V A5K A5R A5E A5J AGG ATG AUQ B1G</li> <li>• MT 9960: AKU AKF AKS AKP AKD AKY ALU ALF ALS ANU ANF ANS APU APF APS AMU AMF AMS</li> <li>• MT 9965: A5G A6U A6F A6S A6P A6D A6Y A7U A7F A7S A7P A7D A7Y A8G A9U A9F A9S ABU ABF ABS ACU ACF ACS</li> <li>• MT 3231, 4085, 6138, 6209, 6239, 6302, 7188, 7244, 7347, 7355, 7571, 7628, 7635, 8494, and 8854_SB</li> </ul>	41U3030	1
<p>(Tower only) PS/2 three button ball mouse</p> <ul style="list-style-type: none"> <li>• MT 3063:</li> <li>• MT 3285:</li> <li>• MT 4084:</li> <li>• MT 4086:</li> <li>• MT 4087:</li> <li>• MT 7358:</li> <li>• MT 7373:</li> <li>• MT 7484:</li> <li>• MT 7639:</li> <li>• MT 9728:</li> <li>• MT 9960:</li> <li>• MT 9965:</li> <li>• MT 3231, 4085, 6138, 6209, 6239, 6302, 7188, 7244, 7347, 7355, 7571, 7628, 7635, 8494, and 8854_SB</li> </ul>	41R0018	1

Mice	FRU #	CRU
Primax LXB MO28UOA USB mouse <ul style="list-style-type: none"> <li>• MT 3063:</li> <li>• MT 3285:</li> <li>• MT 4084:</li> <li>• MT 4086:</li> <li>• MT 4087:</li> <li>• MT 7358:</li> <li>• MT 7373:</li> <li>• MT 7484:</li> <li>• MT 7639:</li> <li>• MT 9728:</li> <li>• MT 9960:</li> <li>• MT 9965:</li> <li>• MT 3231, 4085, 6138, 6209, 6239, 6302, 7188, 7244, 7347, 7355, 7571, 7628, 7635, 8494, and 8854_SB</li> </ul>	89Y1273	1
Logitech LXB M-U0022-O USB mouse <ul style="list-style-type: none"> <li>• MT 3063:</li> <li>• MT 3285:</li> <li>• MT 4084:</li> <li>• MT 4086:</li> <li>• MT 4087:</li> <li>• MT 7358:</li> <li>• MT 7373:</li> <li>• MT 7484:</li> <li>• MT 7639:</li> <li>• MT 9728:</li> <li>• MT 9960:</li> <li>• MT 9965:</li> <li>• MT 3231, 4085, 6138, 6209, 6239, 6302, 7188, 7244, 7347, 7355, 7571, 7628, 7635, 8494, and 8854_SB</li> </ul>	89Y1274	1
Liteon LXB SM-1065 USB mouse <ul style="list-style-type: none"> <li>• MT 3063:</li> <li>• MT 3285:</li> <li>• MT 4084:</li> <li>• MT 4086:</li> <li>• MT 4087:</li> <li>• MT 7358:</li> <li>• MT 7373:</li> <li>• MT 7484:</li> <li>• MT 7639:</li> <li>• MT 9728:</li> <li>• MT 9960:</li> <li>• MT 9965:</li> </ul>	89Y1275	1

Mice	FRU #	CRU
<ul style="list-style-type: none"> <li>MT 3231, 4085, 6138, 6209, 6239, 6302, 7188, 7244, 7347, 7355, 7571, 7628, 7635, 8494, and 8854_SB</li> </ul>		

## Adapters and miscellaneous FRUs

Adapters and miscellaneous FRUs	FRU #	CRU
USB2.0 media card reader, 25 in 1 ROHS <ul style="list-style-type: none"> <li>MT 3063: BJJ BKJ BLJ BMJ BNJ BPJ</li> <li>MT 3285:</li> <li>MT 4084:</li> <li>MT 4086:</li> <li>MT 4087:</li> <li>MT 7358:</li> <li>MT 7373:</li> <li>MT 7484:</li> <li>MT 7639:</li> <li>MT 9728:</li> <li>MT 9960:</li> <li>MT 9965:</li> <li>MT 3231, 4085, 6138, 6209, 6239, 6302, 7188, 7244, 7347, 7355, 7571, 7628, 7635, 8494, and 8854_SB</li> </ul>	45R8139	1
HD3470(RV620Pro) 256MB 64BIT ATX video card <ul style="list-style-type: none"> <li>MT 3063: B7U B7F B8U B8F</li> <li>MT 3285:</li> <li>MT 4084:</li> <li>MT 4086:</li> <li>MT 4087:</li> <li>MT 7358:</li> <li>MT 7373:</li> <li>MT 7484:</li> <li>MT 7639:</li> <li>MT 9728: A8U A8F</li> <li>MT 9960:</li> <li>MT 9965:</li> <li>MT 3231, 4085, 6138, 6209, 6239, 6302, 7188, 7244, 7347, 7355, 7571, 7628, 7635, 8494, and 8854_SB</li> </ul>	46R1521	1

Adapters and miscellaneous FRUs	FRU #	CRU
9500GT 512MB 128BIT ATX video card <ul style="list-style-type: none"> <li>• MT 3063: BDJ BFJ</li> <li>• MT 3285:</li> <li>• MT 4084:</li> <li>• MT 4086:</li> <li>• MT 4087:</li> <li>• MT 7358:</li> <li>• MT 7373:</li> <li>• MT 7484:</li> <li>• MT 7639:</li> <li>• MT 9728:</li> <li>• MT 9960:</li> <li>• MT 9965:</li> <li>• MT 3231, 4085, 6138, 6209, 6239, 6302, 7188, 7244, 7347, 7355, 7571, 7628, 7635, 8494, and 8854_SB</li> </ul>	46R1524	1
DP to DVI dongle 200mm <ul style="list-style-type: none"> <li>• MT 3063: CAJ CBJ</li> <li>• MT 3285:</li> <li>• MT 4084:</li> <li>• MT 4086:</li> <li>• MT 4087:</li> <li>• MT 7358:</li> <li>• MT 7373:</li> <li>• MT 7484:</li> <li>• MT 7639:</li> <li>• MT 9728:</li> <li>• MT 9960:</li> <li>• MT 9965:</li> <li>• MT 3231, 4085, 6138, 6209, 6239, 6302, 7188, 7244, 7347, 7355, 7571, 7628, 7635, 8494, and 8854_SB</li> </ul>	43N9160	1
IEEE 1394 firewire adapter (ATX) <ul style="list-style-type: none"> <li>• MT 3063:</li> <li>• MT 3285:</li> <li>• MT 4084:</li> <li>• MT 4086:</li> <li>• MT 4087:</li> <li>• MT 7358:</li> <li>• MT 7373:</li> <li>• MT 7484:</li> <li>• MT 7639:</li> <li>• MT 9728:</li> <li>• MT 9960:</li> <li>• MT 9965:</li> </ul>	41D2781	2

Adapters and miscellaneous FRUs	FRU #	CRU
<ul style="list-style-type: none"> <li>• MT 3231, 4085, 6138, 6209, 6239, 6302, 7188, 7244, 7347, 7355, 7571, 7628, 7635, 8494, and 8854_SB</li> </ul>		
<p>Speakers (2-piece) Lenovo Logo (secondary)</p> <ul style="list-style-type: none"> <li>• MT 3063:</li> <li>• MT 3285:</li> <li>• MT 4084:</li> <li>• MT 4086:</li> <li>• MT 4087:</li> <li>• MT 7358:</li> <li>• MT 7373:</li> <li>• MT 7484:</li> <li>• MT 7639:</li> <li>• MT 9728:</li> <li>• MT 9960:</li> <li>• MT 9965:</li> <li>• MT 3231, 4085, 6138, 6209, 6239, 6302, 7188, 7244, 7347, 7355, 7571, 7628, 7635, 8494, and 8854_SB</li> </ul>	41A5334	1
<p>Speaker power brick</p> <ul style="list-style-type: none"> <li>• MT 3063:</li> <li>• MT 3285: A1U</li> <li>• MT 4084:</li> <li>• MT 4086:</li> <li>• MT 4087:</li> <li>• MT 7358:</li> <li>• MT 7373: E3U E4U E5U E6U E7U</li> <li>• MT 7484:</li> <li>• MT 7639: A1U A1S A1A</li> <li>• MT 9728: A6U A7U A8U A5U A5G</li> <li>• MT 9960: AkU AkS ALU ALS</li> <li>• MT 9965: A5G A6U A7U A6S A7S A8G A9U A9S ABU ABS</li> <li>• MT 3231, 4085, 6138, 6209, 6239, 6302, 7188, 7244, 7347, 7355, 7571, 7628, 7635, 8494, and 8854_SB</li> </ul>	89P8571	1
<p>Modem phone cable</p> <ul style="list-style-type: none"> <li>• MT 3063:</li> <li>• MT 3285:</li> <li>• MT 4084:</li> <li>• MT 4086:</li> <li>• MT 4087:</li> <li>• MT 7358:</li> <li>• MT 7373:</li> <li>• MT 7484:</li> <li>• MT 7639:</li> <li>• MT 9728:</li> </ul>	39K5120	1



Adapters and miscellaneous FRUs	FRU #	CRU
<ul style="list-style-type: none"> <li>• MT 9960:</li> <li>• MT 9965:</li> <li>• MT 3231, 4085, 6138, 6209, 6239, 6302, 7188, 7244, 7347, 7355, 7571, 7628, 7635, 8494, and 8854_SB</li> </ul>		
Thermal grease syringe <ul style="list-style-type: none"> <li>• MT 3063:</li> <li>• MT 3285:</li> <li>• MT 4084:</li> <li>• MT 4086:</li> <li>• MT 4087:</li> <li>• MT 7358:</li> <li>• MT 7373:</li> <li>• MT 7484:</li> <li>• MT 7639:</li> <li>• MT 9728:</li> <li>• MT 9960:</li> <li>• MT 9965:</li> <li>• MT 3231, 4085, 6138, 6209, 6239, 6302, 7188, 7244, 7347, 7355, 7571, 7628, 7635, 8494, and 8854_SB</li> </ul>	91P8835	N
nVIDIA FX370 256MB 64BIT DMS59 ATX video card <ul style="list-style-type: none"> <li>• MT 3063:</li> <li>• MT 3285:</li> <li>• MT 4084:</li> <li>• MT 4086:</li> <li>• MT 4087:</li> <li>• MT 7358:</li> <li>• MT 7373:</li> <li>• MT 7484:</li> <li>• MT 7639:</li> <li>• MT 9728:</li> <li>• MT 9960:</li> <li>• MT 9965:</li> <li>• MT 3231, 4085, 6138, 6209, 6239, 6302, 7188, 7244, 7347, 7355, 7571, 7628, 7635, 8494, and 8854_SB</li> </ul>	53Y6807	1

Adapters and miscellaneous FRUs	FRU #	CRU
nVIDIA GeForce 310 512MB DDR3 (VGA+DP) HP <ul style="list-style-type: none"> <li>• MT 3063:</li> <li>• MT 3285:</li> <li>• MT 4084:</li> <li>• MT 4086:</li> <li>• MT 4087:</li> <li>• MT 7358:</li> <li>• MT 7373:</li> <li>• MT 7484:</li> <li>• MT 7639:</li> <li>• MT 9728:</li> <li>• MT 9960:</li> <li>• MT 9965:</li> <li>• MT 3231, 4085, 6138, 6209, 6239, 6302, 7188, 7244, 7347, 7355, 7571, 7628, 7635, 8494, and 8854_SB</li> </ul>	03T9008	1
Dongle DMS-59 to single VGA & single DVI cable <ul style="list-style-type: none"> <li>• MT 3063:</li> <li>• MT 3285:</li> <li>• MT 4084:</li> <li>• MT 4086:</li> <li>• MT 4087:</li> <li>• MT 7358:</li> <li>• MT 7373:</li> <li>• MT 7484:</li> <li>• MT 7639:</li> <li>• MT 9728:</li> <li>• MT 9960:</li> <li>• MT 9965:</li> <li>• MT 3231, 4085, 6138, 6209, 6239, 6302, 7188, 7244, 7347, 7355, 7571, 7628, 7635, 8494, and 8854_SB</li> </ul>	42Y8183	1
Dongle DMS-59 to dual VGA cable <ul style="list-style-type: none"> <li>• MT 3063:</li> <li>• MT 3285:</li> <li>• MT 4084:</li> <li>• MT 4086:</li> <li>• MT 4087:</li> <li>• MT 7358:</li> <li>• MT 7373:</li> <li>• MT 7484:</li> <li>• MT 7639:</li> <li>• MT 9728:</li> <li>• MT 9960:</li> <li>• MT 9965:</li> </ul>	42Y8181	1

Adapters and miscellaneous FRUs	FRU #	CRU
<ul style="list-style-type: none"> <li>• MT 3231, 4085, 6138, 6209, 6239, 6302, 7188, 7244, 7347, 7355, 7571, 7628, 7635, 8494, and 8854_SB</li> </ul>		
Dongle DMS-59 to dual DVI - I cable <ul style="list-style-type: none"> <li>• MT 3063:</li> <li>• MT 3285:</li> <li>• MT 4084:</li> <li>• MT 4086:</li> <li>• MT 4087:</li> <li>• MT 7358:</li> <li>• MT 7373:</li> <li>• MT 7484:</li> <li>• MT 7639:</li> <li>• MT 9728:</li> <li>• MT 9960:</li> <li>• MT 9965:</li> <li>• MT 3231, 4085, 6138, 6209, 6239, 6302, 7188, 7244, 7347, 7355, 7571, 7628, 7635, 8494, and 8854_SB</li> </ul>	41X6398	1
DVI-D card low profile support HDCP <ul style="list-style-type: none"> <li>• MT 3063:</li> <li>• MT 3285:</li> <li>• MT 4084:</li> <li>• MT 4086:</li> <li>• MT 4087:</li> <li>• MT 7358:</li> <li>• MT 7373:</li> <li>• MT 7484:</li> <li>• MT 7639:</li> <li>• MT 9728:</li> <li>• MT 9960:</li> <li>• MT 9965:</li> <li>• MT 3231, 4085, 6138, 6209, 6239, 6302, 7188, 7244, 7347, 7355, 7571, 7628, 7635, 8494, and 8854_SB</li> </ul>	43C0258	1
Display port to VGA dongle <ul style="list-style-type: none"> <li>• MT 3063:</li> <li>• MT 3285:</li> <li>• MT 4084:</li> <li>• MT 4086:</li> <li>• MT 4087:</li> <li>• MT 7358:</li> <li>• MT 7373:</li> <li>• MT 7484:</li> <li>• MT 7639:</li> <li>• MT 9728:</li> </ul>	45J9524	1

Adapters and miscellaneous FRUs	FRU #	CRU
<ul style="list-style-type: none"> <li>• MT 9960:</li> <li>• MT 9965:</li> <li>• MT 3231, 4085, 6138, 6209, 6239, 6302, 7188, 7244, 7347, 7355, 7571, 7628, 7635, 8494, and 8854_SB</li> </ul>		
DVI-VGA cable <ul style="list-style-type: none"> <li>• MT 3063:</li> <li>• MT 3285:</li> <li>• MT 4084:</li> <li>• MT 4086:</li> <li>• MT 4087:</li> <li>• MT 7358:</li> <li>• MT 7373:</li> <li>• MT 7484:</li> <li>• MT 7639:</li> <li>• MT 9728:</li> <li>• MT 9960:</li> <li>• MT 9965:</li> <li>• MT 3231, 4085, 6138, 6209, 6239, 6302, 7188, 7244, 7347, 7355, 7571, 7628, 7635, 8494, and 8854_SB</li> </ul>	45C7816	1
nVIDIA GeForce310 512M DMS59 (HP) <ul style="list-style-type: none"> <li>• MT 3063:</li> <li>• MT 3285:</li> <li>• MT 4084:</li> <li>• MT 4086:</li> <li>• MT 4087:</li> <li>• MT 7358:</li> <li>• MT 7373:</li> <li>• MT 7484:</li> <li>• MT 7639:</li> <li>• MT 9728:</li> <li>• MT 9960:</li> <li>• MT 9965:</li> <li>• MT 3231, 4085, 6138, 6209, 6239, 6302, 7188, 7244, 7347, 7355, 7571, 7628, 7635, 8494, and 8854_SB</li> </ul>	89Y9226	1
nVIDIA Quadro FX380 (DVI + DP) ATX <ul style="list-style-type: none"> <li>• MT 3063:</li> <li>• MT 3285:</li> <li>• MT 4084:</li> <li>• MT 4086:</li> <li>• MT 4087:</li> <li>• MT 7358:</li> <li>• MT 7373:</li> <li>• MT 7484:</li> </ul>	64Y8204	1

Adapters and miscellaneous FRUs	FRU #	CRU
<ul style="list-style-type: none"> <li>• MT 7639:</li> <li>• MT 9728:</li> <li>• MT 9960:</li> <li>• MT 9965:</li> <li>• MT 3231, 4085, 6138, 6209, 6239, 6302, 7188, 7244, 7347, 7355, 7571, 7628, 7635, 8494, and 8854_SB</li> </ul>		

## Power Cords

Power Cords --primary	FRU #	CRU
<p>Line Cord - US</p> <ul style="list-style-type: none"> <li>• MT 3063: B6U B6F B7U B7F B8U B8F B9U B9F BBU BBF BCS BCL BCY BSG BUG BSU BSF BSS BSD BSL BSA BST BVU BVF</li> <li>• MT 3285: A1U A1F A1S A1L A1Y A1A A1T</li> <li>• MT 4084:</li> <li>• MT 4086:</li> <li>• MT 4087:</li> <li>• MT 7358:</li> <li>• MT 7373: E8A E8T E9A E9T EBA EBT ECA ECT EDA EDT D8A D8T E3U E3F E4U E4F E5U E5F E6U E6F E7U E7F EGU EGF F6A F6T F7A F7T F8A F8T F9U F9F F9L FBU FBF FBL FCU FCF</li> <li>• MT 7484: BQA BQT BRA BRT DIU DIF E1U E1F D9U D9F</li> <li>• MT 7639: A1U A1F A1S A1D A1L A1A A1T</li> <li>• MT 9728: AFA AFT ADA ADT A6U A6F A7U A7F A8U A8F A9S A9L A9Y A5U A5F A5S A5L A5Y A5A A5T</li> <li>• MT 9960: AKU AKF AKS AKY ALU ALF ALS ANU ANF ANS APU APF APS AMU AMF AMS</li> <li>• MT 9965: A6U A6F A6S A6Y A7U A7F A7S A7Y A9U A9F A9S ABU ABF ABS ACU ACF ACS</li> <li>• MT 3231, 4085, 6138, 6209, 6239, 6302, 7188, 7244, 7347, 7355, 7571, 7628, 7635, 8494, and 8854_S</li> </ul>	41R3184	1
<p>Line Cord - China</p> <ul style="list-style-type: none"> <li>• MT 3063: BSC</li> <li>• MT 3285: A1C</li> <li>• MT 4084:</li> <li>• MT 4086:</li> <li>• MT 4087:</li> <li>• MT 7358:</li> <li>• MT 7373:</li> <li>• MT 7484:</li> <li>• MT 7639: A1C</li> <li>• MT 9728: A5C</li> <li>• MT 9960:</li> <li>• MT 9965:</li> </ul>	41R3256	1

Power Cords --primary	FRU #	CRU
<ul style="list-style-type: none"> <li>• MT 3231, 4085, 6138, 6209, 6239, 6302, 7188, 7244, 7347, 7355, 7571, 7628, 7635, 8494, and 8854_SB</li> </ul>		
<p>Line Cord - Japan</p> <ul style="list-style-type: none"> <li>• MT 3063: BJJ BKJ BLJ BMJ BNJ BPJ BDJ BFJ BSJ CAJ CBJ</li> <li>• MT 3285: A1J</li> <li>• MT 4084:</li> <li>• MT 4086:</li> <li>• MT 4087:</li> <li>• MT 7358:</li> <li>• MT 7373:</li> <li>• MT 7484:</li> <li>• MT 7639: A1E A1J</li> <li>• MT 9728:</li> <li>• MT 9960:</li> <li>• MT 9965:</li> <li>• MT 3231, 4085, 6138, 6209, 6239, 6302, 7188, 7244, 7347, 7355, 7571, 7628, 7635, 8494, and 8854_SB</li> </ul>	41R3248	1
<p>Line Cord - Brazil</p> <ul style="list-style-type: none"> <li>• MT 3063: BSP</li> <li>• MT 3285:</li> <li>• MT 4084:</li> <li>• MT 4086:</li> <li>• MT 4087:</li> <li>• MT 7358:</li> <li>• MT 7373:</li> <li>• MT 7484:</li> <li>• MT 7639: A1P</li> <li>• MT 9728:</li> <li>• MT 9960:</li> <li>• MT 9965:</li> <li>• MT 3231, 4085, 6138, 6209, 6239, 6302, 7188, 7244, 7347, 7355, 7571, 7628, 7635, 8494, and 8854_SB</li> </ul>	45J9595	1
<p>Line Cord - LA High Volt (APU)</p> <ul style="list-style-type: none"> <li>• MT 3063: BSY BSL</li> <li>• MT 3285:</li> <li>• MT 4084:</li> <li>• MT 4086:</li> <li>• MT 4087:</li> <li>• MT 7358:</li> <li>• MT 7373:</li> <li>• MT 7484:</li> <li>• MT 7639: A1S</li> <li>• MT 9728:</li> </ul>	41R3176	1

Power Cords --primary	FRU #	CRU
<ul style="list-style-type: none"> <li>• MT 9960:</li> <li>• MT 9965:</li> <li>• MT 3231, 4085, 6138, 6209, 6239, 6302, 7188, 7244, 7347, 7355, 7571, 7628, 7635, 8494, and 8854_SB</li> </ul>		
<p>Line Cord-Australia / New Zealand</p> <ul style="list-style-type: none"> <li>• MT 3063: B6U B6F B7U B7F B8U B8F B9U B9F BBU BBF BCS BCL BCY BSM</li> <li>• MT 3285: A1U A1F A1S A1L A1Y A1A A1T</li> <li>• MT 4084:</li> <li>• MT 4086:</li> <li>• MT 4087:</li> <li>• MT 7358:</li> <li>• MT 7373: E8A E8T E9A E9T EBA EBT ECA ECT EDA EDT D8A D8T E3U E3F E4U E4F E5U E5F E6U E6F E7U E7F F6A F7A F8A</li> <li>• MT 7484: BQA BQT BRA BRT</li> <li>• MT 7639: A1M</li> <li>• MT 9728: AFA AFT ADA ADT A6U A6F A7U A7F A8U A8F A9S A9L A9Y A5U A5F A5S A5L A5Y A5A A5T</li> <li>• MT 9960: AKU AKF AKS AKY ALU ALF ALS ANU ANF ANS APU APF APS AMU AMF AMS</li> <li>• MT 9965: A6U A6F A6S A6Y A7U A7F A7S A7Y A9U A9F A9S ABU ABF ABS ACU ACF ACS</li> <li>• MT 3231, 4085, 6138, 6209, 6239, 6302, 7188, 7244, 7347, 7355, 7571, 7628, 7635, 8494, and 8854_SB</li> </ul>	41R3196	1
<p>Line Cord - Korea</p> <ul style="list-style-type: none"> <li>• MT 3063: BSK</li> <li>• MT 3285:</li> <li>• MT 4084:</li> <li>• MT 4086:</li> <li>• MT 4087:</li> <li>• MT 7358:</li> <li>• MT 7373:</li> <li>• MT 7484:</li> <li>• MT 7639: A1K A1R</li> <li>• MT 9728:</li> <li>• MT 9960:</li> <li>• MT 9965:</li> <li>• MT 3231, 4085, 6138, 6209, 6239, 6302, 7188, 7244, 7347, 7355, 7571, 7628, 7635, 8494, and 8854_SB</li> </ul>	41R3260	1

Power Cords --primary	FRU #	CRU
<p>Line Cord - Hong Kong, UK, Ireland, Singapore, Malaysia, Brunei, Hong Kong</p> <ul style="list-style-type: none"> <li>• MT 3063: BSB BSH BSA</li> <li>• MT 3285:</li> <li>• MT 4084:</li> <li>• MT 4086:</li> <li>• MT 4087:</li> <li>• MT 7358:</li> <li>• MT 7373: F6A F7A F8A</li> <li>• MT 7484:</li> <li>• MT 7639: A1B A1H A1G</li> <li>• MT 9728: B1G</li> <li>• MT 9960:</li> <li>• MT 9965:</li> <li>• MT 3231, 4085, 6138, 6209, 6239, 6302, 7188, 7244, 7347, 7355, 7571, 7628, 7635, 8494, and 8854_SB</li> </ul>	41R3224	1
<p>Line Cord - Taiwan</p> <ul style="list-style-type: none"> <li>• MT 3063: BSV</li> <li>• MT 3285: A1V</li> <li>• MT 4084:</li> <li>• MT 4086:</li> <li>• MT 4087:</li> <li>• MT 7358:</li> <li>• MT 7373: EHV EJV EKV ELV EMV ENV EPV EQV ERV ESV ETV EUV EVV EWV F1V F2V F3V F4V F5V</li> <li>• MT 7484: D8V D2V D3V D4V D5V D6V D7V</li> <li>• MT 7639: A1V</li> <li>• MT 9728: A5V</li> <li>• MT 9960:</li> <li>• MT 9965:</li> <li>• MT 3231, 4085, 6138, 6209, 6239, 6302, 7188, 7244, 7347, 7355, 7571, 7628, 7635, 8494, and 8854_SB</li> </ul>	41R3278	1
<p>Line Cord - Italy</p> <ul style="list-style-type: none"> <li>• MT 3063: BSG BUG BSS BSY BSL</li> <li>• MT 3285:</li> <li>• MT 4084:</li> <li>• MT 4086:</li> <li>• MT 4087:</li> <li>• MT 7358:</li> <li>• MT 7373: F9L FBL</li> <li>• MT 7484:</li> <li>• MT 7639: A1S A1G</li> <li>• MT 9728: B1G</li> <li>• MT 9960:</li> </ul>	41R3232	1



Power Cords --primary	FRU #	CRU
<ul style="list-style-type: none"> <li>• MT 9965:</li> <li>• MT 3231, 4085, 6138, 6209, 6239, 6302, 7188, 7244, 7347, 7355, 7571, 7628, 7635, 8494, and 8854_SB</li> </ul>		
<p>Line Cord - A models</p> <ul style="list-style-type: none"> <li>• MT 3063: BSG BUG BSA</li> <li>• MT 3285:</li> <li>• MT 4084:</li> <li>• MT 4086:</li> <li>• MT 4087:</li> <li>• MT 7358:</li> <li>• MT 7373: F6A F7A F8A</li> <li>• MT 7484:</li> <li>• MT 7639: A1A</li> <li>• MT 9728:</li> <li>• MT 9960:</li> <li>• MT 9965:</li> <li>• MT 3231, 4085, 6138, 6209, 6239, 6302, 7188, 7244, 7347, 7355, 7571, 7628, 7635, 8494, and 8854_SB</li> </ul>	41R3208	1
<p>Line Cord - Denmark</p> <ul style="list-style-type: none"> <li>• MT 3063: BSG BUG</li> <li>• MT 3285: A1G</li> <li>• MT 4084: A1G</li> <li>• MT 4086: A1G A2G A3G</li> <li>• MT 4087: A1G A2G</li> <li>• MT 7358: A2G A3G</li> <li>• MT 7373:</li> <li>• MT 7484:</li> <li>• MT 7639: A1G</li> <li>• MT 9728: A5G AGG ATG B1G</li> <li>• MT 9960:</li> <li>• MT 9965: A5G A8G</li> <li>• MT 3231, 4085, 6138, 6209, 6239, 6302, 7188, 7244, 7347, 7355, 7571, 7628, 7635, 8494, and 8854_SB</li> </ul>	41R3212	1
<p>Line Cord - Switzerland</p> <ul style="list-style-type: none"> <li>• MT 3063: BSG BUG</li> <li>• MT 3285: A1G</li> <li>• MT 4084: A1G</li> <li>• MT 4086: A1G A2G A3G</li> <li>• MT 4087: A1G A2G</li> <li>• MT 7358: A2G A3G</li> <li>• MT 7373:</li> <li>• MT 7484:</li> <li>• MT 7639: A1G</li> </ul>	41R3228	1

Power Cords --primary	FRU #	CRU
<ul style="list-style-type: none"> <li>• MT 9728: A5G AGG ATG B1G</li> <li>• MT 9960:</li> <li>• MT 9965: A5G A8G</li> <li>• MT 3231, 4085, 6138, 6209, 6239, 6302, 7188, 7244, 7347, 7355, 7571, 7628, 7635, 8494, and 8854_SB</li> </ul>		
<p>Line Cord - Israel</p> <ul style="list-style-type: none"> <li>• MT 3063: BSG BUG</li> <li>• MT 3285: A1G</li> <li>• MT 4084: A1G</li> <li>• MT 4086: A1G A2G A3G</li> <li>• MT 4087: A1G A2G</li> <li>• MT 7358: A2G A3G</li> <li>• MT 7373:</li> <li>• MT 7484:</li> <li>• MT 7639: A1G</li> <li>• MT 9728: A5G AGG ATG B1G</li> <li>• MT 9960:</li> <li>• MT 9965: A5G A8G</li> <li>• MT 3231, 4085, 6138, 6209, 6239, 6302, 7188, 7244, 7347, 7355, 7571, 7628, 7635, 8494, and 8854_SB</li> </ul>	41R3236	1
<p>Line Cord - South Africa</p> <ul style="list-style-type: none"> <li>• MT 3063: B4M B5M BSM BSA</li> <li>• MT 3285: A1G A1M A1A</li> <li>• MT 4084: A1G</li> <li>• MT 4086: A1G A2G A3G</li> <li>• MT 4087: A1G A2G</li> <li>• MT 7358: A2G A3G</li> <li>• MT 7373: E8A E9A EBA ECA EDA D8M D8A D9M E1M E2M F6A F7A F8A FGM</li> <li>• MT 7484: BQA BRA BNM BPM BMM E2M</li> <li>• MT 7639: A1M</li> <li>• MT 9728: AFA ADA ABM ACM A5G A5M A5A AGG ATG B1G</li> <li>• MT 9960:</li> <li>• MT 9965: A5G A8G</li> <li>• MT 3231, 4085, 6138, 6209, 6239, 6302, 7188, 7244, 7347, 7355, 7571, 7628, 7635, 8494, and 8854_SB</li> </ul>	41R3220	1

Power Cords --primary	FRU #	CRU
Line Cord - India <ul style="list-style-type: none"> <li>• MT 3063: BSQ BWQ</li> <li>• MT 3285: A1Q A2Q</li> <li>• MT 4084:</li> <li>• MT 4086:</li> <li>• MT 4087:</li> <li>• MT 7358:</li> <li>• MT 7373: EFQ FEQ FFQ</li> <li>• MT 7484:</li> <li>• MT 7639: A1Q A2Q</li> <li>• MT 9728: A5Q AUQ</li> <li>• MT 9960:</li> <li>• MT 9965:</li> <li>• MT 3231, 4085, 6138, 6209, 6239, 6302, 7188, 7244, 7347, 7355, 7571, 7628, 7635, 8494, and 8854_SB</li> </ul>	41R3341	1
Line Cord - Thailand <ul style="list-style-type: none"> <li>• MT 3063:</li> <li>• MT 3285:</li> <li>• MT 4084:</li> <li>• MT 4086:</li> <li>• MT 4087:</li> <li>• MT 7358:</li> <li>• MT 7373:</li> <li>• MT 7484:</li> <li>• MT 7639: A1T</li> <li>• MT 9728:</li> <li>• MT 9960:</li> <li>• MT 9965:</li> <li>• MT 3231, 4085, 6138, 6209, 6239, 6302, 7188, 7244, 7347, 7355, 7571, 7628, 7635, 8494, and 8854_SB</li> </ul>	43N9029	1

Power Cords --secondary	FRU #	CRU
Line Cord - US <ul style="list-style-type: none"> <li>• MT 3063: B6U B6F B7U B7F B8U B8F B9U B9F BBU BBF BCS BCL BCY BSG BUG BSU BSF BSS BSD BSL BSA BST BVU BVF</li> <li>• MT 3285: A1U A1F A1S A1L A1Y A1A A1T</li> <li>• MT 4084:</li> <li>• MT 4086:</li> <li>• MT 4087:</li> <li>• MT 7358:</li> <li>• MT 7373: E8A E8T E9A E9T EBA EBT ECA ECT EDA EDT D8A D8T E3U E3F E4U E4F E5U E5F E6U E6F E7U E7F EGU EGF F6A F6T F7A F7T F8A F8T F9U F9F F9L FBU FBF FBL FCU FCF</li> <li>• MT 7484: BQA BQT BRA BRT DIU DIF E1U E1F D9U D9F</li> </ul>	41R3185	1

Power Cords --secondary	FRU #	CRU
<ul style="list-style-type: none"> <li>• MT 7639: A1U A1F A1S A1D A1L A1A A1T</li> <li>• MT 9728: AFA AFT ADA ADT A6U A6F A7U A7F A8U A8F A9S A9L A9Y A5U A5F A5S A5L A5Y A5A A5T</li> <li>• MT 9960: AkU AkF AkS AkY ALU ALF ALS ANU ANF ANS APU APF APS AMU AMF AMS</li> <li>• MT 9965: A6U A6F A6S A6Y A7U A7F A7S A7Y A9U A9F A9S ABU ABF ABS ACU ACF ACS</li> <li>• MT 3231, 4085, 6138, 6209, 6239, 6302, 7188, 7244, 7347, 7355, 7571, 7628, 7635, 8494, and 8854_SB</li> </ul>		
<p>Line Cord - China</p> <ul style="list-style-type: none"> <li>• MT 3063: BSC</li> <li>• MT 3285: A1C</li> <li>• MT 4084:</li> <li>• MT 4086:</li> <li>• MT 4087:</li> <li>• MT 7358:</li> <li>• MT 7373:</li> <li>• MT 7484:</li> <li>• MT 7639: A1C</li> <li>• MT 9728: A5C</li> <li>• MT 9960:</li> <li>• MT 9965:</li> <li>• MT 3231, 4085, 6138, 6209, 6239, 6302, 7188, 7244, 7347, 7355, 7571, 7628, 7635, 8494, and 8854_SB</li> </ul>	41R3257	1
<p>Line Cord - Japan</p> <ul style="list-style-type: none"> <li>• MT 3063: BJJ BKJ BLJ BMJ BNJ BPJ BDJ BFJ BSJ CAJ CBJ</li> <li>• MT 3285: A1J</li> <li>• MT 4084:</li> <li>• MT 4086:</li> <li>• MT 4087:</li> <li>• MT 7358:</li> <li>• MT 7373:</li> <li>• MT 7484:</li> <li>• MT 7639: A1E A1J</li> <li>• MT 9728:</li> <li>• MT 9960:</li> <li>• MT 9965:</li> <li>• MT 3231, 4085, 6138, 6209, 6239, 6302, 7188, 7244, 7347, 7355, 7571, 7628, 7635, 8494, and 8854_SB</li> </ul>	41R3249	1

Power Cords --secondary	FRU #	CRU
Line Cord - Brazil <ul style="list-style-type: none"> <li>• MT 3063: BSP</li> <li>• MT 3285:</li> <li>• MT 4084:</li> <li>• MT 4086:</li> <li>• MT 4087:</li> <li>• MT 7358:</li> <li>• MT 7373:</li> <li>• MT 7484:</li> <li>• MT 7639: A1P</li> <li>• MT 9728:</li> <li>• MT 9960:</li> <li>• MT 9965:</li> <li>• MT 3231, 4085, 6138, 6209, 6239, 6302, 7188, 7244, 7347, 7355, 7571, 7628, 7635, 8494, and 8854_SB</li> </ul>	41R3271	1
Line Cord - LA High Volt (APU) <ul style="list-style-type: none"> <li>• MT 3063: BSY BSL</li> <li>• MT 3285:</li> <li>• MT 4084:</li> <li>• MT 4086:</li> <li>• MT 4087:</li> <li>• MT 7358:</li> <li>• MT 7373:</li> <li>• MT 7484:</li> <li>• MT 7639: A1S</li> <li>• MT 9728:</li> <li>• MT 9960:</li> <li>• MT 9965:</li> <li>• MT 3231, 4085, 6138, 6209, 6239, 6302, 7188, 7244, 7347, 7355, 7571, 7628, 7635, 8494, and 8854_SB</li> </ul>	41R3177	1
Line Cord-Australia / New Zealand <ul style="list-style-type: none"> <li>• MT 3063: B6U B6F B7U B7F B8U B8F B9U B9F BBU BBF BCS BCL BCY BSM</li> <li>• MT 3285: A1U A1F A1S A1L A1Y A1A A1T</li> <li>• MT 4084:</li> <li>• MT 4086:</li> <li>• MT 4087:</li> <li>• MT 7358:</li> <li>• MT 7373: E8A E8T E9A E9T EBA EBT ECA ECT EDA EDT D8A D8T E3U E3F E4U E4F E5U E5F E6U E6F E7U E7F F6A F7A F8A</li> <li>• MT 7484: BQA BQT BRA BRT</li> <li>• MT 7639: A1M</li> <li>• MT 9728: AFA AFT ADA ADT A6U A6F A7U A7F A8U A8F A9S A9L A9Y A5U A5F A5S A5L A5Y A5A A5T</li> </ul>	41R3197	1

Power Cords --secondary	FRU #	CRU
<ul style="list-style-type: none"> <li>• MT 9960: AkU AkF AkS AkY ALU ALF ALS ANU ANF ANS APU APF APS AMU AMF AMS</li> <li>• MT 9965: A6U A6F A6S A6Y A7U A7F A7S A7Y A9U A9F A9S ABU ABF ABS ACU ACF ACS</li> <li>• MT 3231, 4085, 6138, 6209, 6239, 6302, 7188, 7244, 7347, 7355, 7571, 7628, 7635, 8494, and 8854_SB</li> </ul>		
<p>Line Cord - Korea</p> <ul style="list-style-type: none"> <li>• MT 3063: BSK</li> <li>• MT 3285:</li> <li>• MT 4084:</li> <li>• MT 4086:</li> <li>• MT 4087:</li> <li>• MT 7358:</li> <li>• MT 7373:</li> <li>• MT 7484:</li> <li>• MT 7639: A1K A1R</li> <li>• MT 9728:</li> <li>• MT 9960:</li> <li>• MT 9965:</li> <li>• MT 3231, 4085, 6138, 6209, 6239, 6302, 7188, 7244, 7347, 7355, 7571, 7628, 7635, 8494, and 8854_SB</li> </ul>	41R3261	1
<p>Line Cord - Hong Kong, UK, Ireland, Singapore, Malaysia, Brunei, Hong Kong</p> <ul style="list-style-type: none"> <li>• MT 3063: BSB BSH BSA</li> <li>• MT 3285:</li> <li>• MT 4084:</li> <li>• MT 4086:</li> <li>• MT 4087:</li> <li>• MT 7358:</li> <li>• MT 7373: F6A F7A F8A</li> <li>• MT 7484:</li> <li>• MT 7639: A1B A1H A1G</li> <li>• MT 9728: B1G</li> <li>• MT 9960:</li> <li>• MT 9965:</li> <li>• MT 3231, 4085, 6138, 6209, 6239, 6302, 7188, 7244, 7347, 7355, 7571, 7628, 7635, 8494, and 8854_SB</li> </ul>	41R3225	1

Power Cords --secondary	FRU #	CRU
Line Cord - Taiwan <ul style="list-style-type: none"> <li>• MT 3063: BSV</li> <li>• MT 3285: A1V</li> <li>• MT 4084:</li> <li>• MT 4086:</li> <li>• MT 4087:</li> <li>• MT 7358:</li> <li>• MT 7373: EHV EJV EKV ELV EMV ENV EPV EQV ERV ESV ETV EUV EW EWV F1V F2V F3V F4V F5V</li> <li>• MT 7484: D8V D2V D3V D4V D5V D6V D7V</li> <li>• MT 7639: A1V</li> <li>• MT 9728: A5V</li> <li>• MT 9960:</li> <li>• MT 9965:</li> <li>• MT 3231, 4085, 6138, 6209, 6239, 6302, 7188, 7244, 7347, 7355, 7571, 7628, 7635, 8494, and 8854_SB</li> </ul>	41R3279	1
Line Cord - Italy <ul style="list-style-type: none"> <li>• MT 3063: BSG BUG BSS BSY BSL</li> <li>• MT 3285:</li> <li>• MT 4084:</li> <li>• MT 4086:</li> <li>• MT 4087:</li> <li>• MT 7358:</li> <li>• MT 7373: F9L FBL</li> <li>• MT 7484:</li> <li>• MT 7639: A1S A1G</li> <li>• MT 9728: B1G</li> <li>• MT 9960:</li> <li>• MT 9965:</li> <li>• MT 3231, 4085, 6138, 6209, 6239, 6302, 7188, 7244, 7347, 7355, 7571, 7628, 7635, 8494, and 8854_SB</li> </ul>	41R3233	1
Line Cord - A models <ul style="list-style-type: none"> <li>• MT 3063: BSG BUG BSA</li> <li>• MT 3285:</li> <li>• MT 4084:</li> <li>• MT 4086:</li> <li>• MT 4087:</li> <li>• MT 7358:</li> <li>• MT 7373: F6A F7A F8A</li> <li>• MT 7484:</li> <li>• MT 7639: A1A</li> <li>• MT 9728:</li> <li>• MT 9960:</li> </ul>	41R3209	1

Power Cords --secondary	FRU #	CRU
<ul style="list-style-type: none"> <li>• MT 9965:</li> <li>• MT 3231, 4085, 6138, 6209, 6239, 6302, 7188, 7244, 7347, 7355, 7571, 7628, 7635, 8494, and 8854_SB</li> </ul>		
<p>Line Cord - Denmark</p> <ul style="list-style-type: none"> <li>• MT 3063: BSG BUG</li> <li>• MT 3285: A1G</li> <li>• MT 4084: A1G</li> <li>• MT 4086: A1G A2G A3G</li> <li>• MT 4087: A1G A2G</li> <li>• MT 7358: A2G A3G</li> <li>• MT 7373:</li> <li>• MT 7484:</li> <li>• MT 7639: A1G</li> <li>• MT 9728: A5G AGG ATG B1G</li> <li>• MT 9960:</li> <li>• MT 9965: A5G A8G</li> <li>• MT 3231, 4085, 6138, 6209, 6239, 6302, 7188, 7244, 7347, 7355, 7571, 7628, 7635, 8494, and 8854_SB</li> </ul>	41R3213	1
<p>Line Cord - Switzerland</p> <ul style="list-style-type: none"> <li>• MT 3063: BSG BUG</li> <li>• MT 3285: A1G</li> <li>• MT 4084: A1G</li> <li>• MT 4086: A1G A2G A3G</li> <li>• MT 4087: A1G A2G</li> <li>• MT 7358: A2G A3G</li> <li>• MT 7373:</li> <li>• MT 7484:</li> <li>• MT 7639: A1G</li> <li>• MT 9728: A5G AGG ATG B1G</li> <li>• MT 9960:</li> <li>• MT 9965: A5G A8G</li> <li>• MT 3231, 4085, 6138, 6209, 6239, 6302, 7188, 7244, 7347, 7355, 7571, 7628, 7635, 8494, and 8854_SB</li> </ul>	41R3229	1
<p>Line Cord - Israel</p> <ul style="list-style-type: none"> <li>• MT 3063: BSG BUG</li> <li>• MT 3285: A1G</li> <li>• MT 4084: A1G</li> <li>• MT 4086: A1G A2G A3G</li> <li>• MT 4087: A1G A2G</li> <li>• MT 7358: A2G A3G</li> <li>• MT 7373:</li> <li>• MT 7484:</li> <li>• MT 7639: A1G</li> </ul>	41R3237	1



Power Cords --secondary	FRU #	CRU
<ul style="list-style-type: none"> <li>• MT 9728: A5G AGG ATG B1G</li> <li>• MT 9960:</li> <li>• MT 9965: A5G A8G</li> <li>• MT 3231, 4085, 6138, 6209, 6239, 6302, 7188, 7244, 7347, 7355, 7571, 7628, 7635, 8494, and 8854_SB</li> </ul>		
<p>Line Cord - South Africa</p> <ul style="list-style-type: none"> <li>• MT 3063: B4M B5M BSM BSA</li> <li>• MT 3285: A1G A1M A1A</li> <li>• MT 4084: A1G</li> <li>• MT 4086: A1G A2G A3G</li> <li>• MT 4087: A1G A2G</li> <li>• MT 7358: A2G A3G</li> <li>• MT 7373: E8A E9A EBA ECA EDA D8M D8A D9M E1M E2M F6A F7A F8A FGM</li> <li>• MT 7484: BQA BRA BNM BPM BMM E2M</li> <li>• MT 7639: A1M</li> <li>• MT 9728: AFA ADA ABM ACM A5G A5M A5A AGG ATG B1G</li> <li>• MT 9960:</li> <li>• MT 9965: A5G A8G</li> <li>• MT 3231, 4085, 6138, 6209, 6239, 6302, 7188, 7244, 7347, 7355, 7571, 7628, 7635, 8494, and 8854_SB</li> </ul>	41R3221	1
<p>Line Cord - India</p> <ul style="list-style-type: none"> <li>• MT 3063: BSQ BWQ</li> <li>• MT 3285: A1Q A2Q</li> <li>• MT 4084:</li> <li>• MT 4086:</li> <li>• MT 4087:</li> <li>• MT 7358:</li> <li>• MT 7373: EFQ FEQ FFQ</li> <li>• MT 7484:</li> <li>• MT 7639: A1Q A2Q</li> <li>• MT 9728: A5Q AUQ</li> <li>• MT 9960:</li> <li>• MT 9965:</li> <li>• MT 3231, 4085, 6138, 6209, 6239, 6302, 7188, 7244, 7347, 7355, 7571, 7628, 7635, 8494, and 8854_SB</li> </ul>	41R3175	1
<p>Line Cord - Thailand</p> <ul style="list-style-type: none"> <li>• MT 3063:</li> <li>• MT 3285:</li> <li>• MT 4084:</li> <li>• MT 4086:</li> <li>• MT 4087:</li> <li>• MT 7358:</li> <li>• MT 7373:</li> </ul>	43N9030	1

Power Cords --secondary	FRU #	CRU
<ul style="list-style-type: none"> <li>• MT 7484:</li> <li>• MT 7639: A1T</li> <li>• MT 9728:</li> <li>• MT 9960:</li> <li>• MT 9965:</li> <li>• MT 3231, 4085, 6138, 6209, 6239, 6302, 7188, 7244, 7347, 7355, 7571, 7628, 7635, 8494, and 8854_SB</li> </ul>		

## Recovery discs

### Windows XP Professional Recovery CD

**Note:** The Windows XP Professional recovery DVDs are available only for models with a valid Microsoft Windows XP Professional certificate of authenticity (COA) affixed to the system. Due to a Microsoft licensing limitation, if a model came with Windows XP Professional preinstalled from the factory, but has either a Windows 7 or Windows Vista COA affixed to the system, that model is eligible only for recovery DVDs that match the operating system specified on the COA.

Windows XP Professional	FRU #	CRU
Arabic enabled <ul style="list-style-type: none"> <li>• MT 3063: CTO</li> <li>• MT 3285: CTO</li> <li>• MT 4084: CTO</li> <li>• MT 4086: CTO</li> <li>• MT 4087: CTO</li> <li>• MT 7358: CTO</li> <li>• MT 7373: CTO</li> <li>• MT 7484: CTO</li> <li>• MT 7639: CTO</li> <li>• MT 9728: CTO</li> <li>• MT 9960: CTO</li> <li>• MT 9965: CTO</li> <li>• MT 3231, 4085, 6138, 6209, 6239, 6302, 7188, 7244, 7347, 7355, 7571, 7628, 7635, 8494, and 8854_SB</li> </ul>	71Y8274	1
Brazilian Portuguese <ul style="list-style-type: none"> <li>• MT 3063: CTO</li> <li>• MT 3285: CTO</li> <li>• MT 4084: CTO</li> <li>• MT 4086: CTO</li> <li>• MT 4087: CTO</li> <li>• MT 7358: CTO</li> <li>• MT 7373: CTO</li> <li>• MT 7484: CTO</li> <li>• MT 7639: CTO</li> </ul>	71Y8275	1

Windows XP Professional	FRU #	CRU
<ul style="list-style-type: none"> <li>• MT 9728: CTO</li> <li>• MT 9960: CTO</li> <li>• MT 9965: CTO</li> <li>• MT 3231, 4085, 6138, 6209, 6239, 6302, 7188, 7244, 7347, 7355, 7571, 7628, 7635, 8494, and 8854_SB</li> </ul>		
<p>Simplified Chinese</p> <ul style="list-style-type: none"> <li>• MT 3063: CTO</li> <li>• MT 3285: CTO</li> <li>• MT 4084: CTO</li> <li>• MT 4086: CTO</li> <li>• MT 4087: CTO</li> <li>• MT 7358: CTO</li> <li>• MT 7373: CTO</li> <li>• MT 7484: CTO</li> <li>• MT 7639: CTO</li> <li>• MT 9728: CTO</li> <li>• MT 9960: CTO</li> <li>• MT 9965: CTO</li> <li>• MT 3231, 4085, 6138, 6209, 6239, 6302, 7188, 7244, 7347, 7355, 7571, 7628, 7635, 8494, and 8854_SB</li> </ul>	71Y8276	1
<p>Traditional Chinese</p> <ul style="list-style-type: none"> <li>• MT 3063: CTO</li> <li>• MT 3285: CTO</li> <li>• MT 4084: CTO</li> <li>• MT 4086: CTO</li> <li>• MT 4087: CTO</li> <li>• MT 7358: CTO</li> <li>• MT 7373: CTO</li> <li>• MT 7484: CTO</li> <li>• MT 7639: CTO</li> <li>• MT 9728: CTO</li> <li>• MT 9960: CTO</li> <li>• MT 9965: CTO</li> <li>• MT 3231, 4085, 6138, 6209, 6239, 6302, 7188, 7244, 7347, 7355, 7571, 7628, 7635, 8494, and 8854_SB</li> </ul>	89Y1619	1

Windows XP Professional	FRU #	CRU
Czech <ul style="list-style-type: none"> <li>• MT 3063: CTO</li> <li>• MT 3285: CTO</li> <li>• MT 4084: CTO</li> <li>• MT 4086: CTO</li> <li>• MT 4087: CTO</li> <li>• MT 7358: CTO</li> <li>• MT 7373: CTO</li> <li>• MT 7484: CTO</li> <li>• MT 7639: CTO</li> <li>• MT 9728: CTO</li> <li>• MT 9960: CTO</li> <li>• MT 9965: CTO</li> <li>• MT 3231, 4085, 6138, 6209, 6239, 6302, 7188, 7244, 7347, 7355, 7571, 7628, 7635, 8494, and 8854_SB</li> </ul>	71Y8278	1
Danish <ul style="list-style-type: none"> <li>• MT 3063: CTO</li> <li>• MT 3285: CTO</li> <li>• MT 4084: CTO</li> <li>• MT 4086: CTO</li> <li>• MT 4087: CTO</li> <li>• MT 7358: CTO</li> <li>• MT 7373: CTO</li> <li>• MT 7484: CTO</li> <li>• MT 7639: CTO</li> <li>• MT 9728: CTO</li> <li>• MT 9960: CTO</li> <li>• MT 9965: CTO</li> <li>• MT 3231, 4085, 6138, 6209, 6239, 6302, 7188, 7244, 7347, 7355, 7571, 7628, 7635, 8494, and 8854_SB</li> </ul>	71Y8279	1
Finland <ul style="list-style-type: none"> <li>• MT 3063: CTO</li> <li>• MT 3285: CTO</li> <li>• MT 4084: CTO</li> <li>• MT 4086: CTO</li> <li>• MT 4087: CTO</li> <li>• MT 7358: CTO</li> <li>• MT 7373: CTO</li> <li>• MT 7484: CTO</li> <li>• MT 7639: CTO</li> <li>• MT 9728: CTO</li> <li>• MT 9960: CTO</li> <li>• MT 9965: CTO</li> </ul>	71Y8280	1

Windows XP Professional	FRU #	CRU
<ul style="list-style-type: none"> <li>• MT 3231, 4085, 6138, 6209, 6239, 6302, 7188, 7244, 7347, 7355, 7571, 7628, 7635, 8494, and 8854_SB</li> </ul>		
<p>French</p> <ul style="list-style-type: none"> <li>• MT 3063: CTO</li> <li>• MT 3285: CTO</li> <li>• MT 4084: CTO</li> <li>• MT 4086: CTO</li> <li>• MT 4087: CTO</li> <li>• MT 7358: CTO</li> <li>• MT 7373: CTO</li> <li>• MT 7484: CTO</li> <li>• MT 7639: CTO</li> <li>• MT 9728: CTO</li> <li>• MT 9960: CTO</li> <li>• MT 9965: CTO</li> <li>• MT 3231, 4085, 6138, 6209, 6239, 6302, 7188, 7244, 7347, 7355, 7571, 7628, 7635, 8494, and 8854_SB</li> </ul>	71Y8281	1
<p>Greek</p> <ul style="list-style-type: none"> <li>• MT 3063: CTO</li> <li>• MT 3285: CTO</li> <li>• MT 4084: CTO</li> <li>• MT 4086: CTO</li> <li>• MT 4087: CTO</li> <li>• MT 7358: CTO</li> <li>• MT 7373: CTO</li> <li>• MT 7484: CTO</li> <li>• MT 7639: CTO</li> <li>• MT 9728: CTO</li> <li>• MT 9960: CTO</li> <li>• MT 9965: CTO</li> <li>• MT 3231, 4085, 6138, 6209, 6239, 6302, 7188, 7244, 7347, 7355, 7571, 7628, 7635, 8494, and 8854_SB</li> </ul>	71Y8282	1
<p>German</p> <ul style="list-style-type: none"> <li>• MT 3063: CTO</li> <li>• MT 3285: CTO</li> <li>• MT 4084: CTO</li> <li>• MT 4086: CTO</li> <li>• MT 4087: CTO</li> <li>• MT 7358: CTO</li> <li>• MT 7373: CTO</li> <li>• MT 7484: CTO</li> <li>• MT 7639: CTO</li> <li>• MT 9728: CTO</li> </ul>	89Y7347	1

Windows XP Professional	FRU #	CRU
<ul style="list-style-type: none"> <li>• MT 9960: CTO</li> <li>• MT 9965: CTO</li> <li>• MT 3231, 4085, 6138, 6209, 6239, 6302, 7188, 7244, 7347, 7355, 7571, 7628, 7635, 8494, and 8854_SB</li> </ul>		
<p>Hebrew</p> <ul style="list-style-type: none"> <li>• MT 3063: CTO</li> <li>• MT 3285: CTO</li> <li>• MT 4084: CTO</li> <li>• MT 4086: CTO</li> <li>• MT 4087: CTO</li> <li>• MT 7358: CTO</li> <li>• MT 7373: CTO</li> <li>• MT 7484: CTO</li> <li>• MT 7639: CTO</li> <li>• MT 9728: CTO</li> <li>• MT 9960: CTO</li> <li>• MT 9965: CTO</li> <li>• MT 3231, 4085, 6138, 6209, 6239, 6302, 7188, 7244, 7347, 7355, 7571, 7628, 7635, 8494, and 8854_SB</li> </ul>	71Y8284	1
<p>Hong Kong</p> <ul style="list-style-type: none"> <li>• MT 3063: CTO</li> <li>• MT 3285: CTO</li> <li>• MT 4084: CTO</li> <li>• MT 4086: CTO</li> <li>• MT 4087: CTO</li> <li>• MT 7358: CTO</li> <li>• MT 7373: CTO</li> <li>• MT 7484: CTO</li> <li>• MT 7639: CTO</li> <li>• MT 9728: CTO</li> <li>• MT 9960: CTO</li> <li>• MT 9965: CTO</li> <li>• MT 3231, 4085, 6138, 6209, 6239, 6302, 7188, 7244, 7347, 7355, 7571, 7628, 7635, 8494, and 8854_SB</li> </ul>	71Y8285	1

Windows XP Professional	FRU #	CRU
Hungarian <ul style="list-style-type: none"> <li>• MT 3063: CTO</li> <li>• MT 3285: CTO</li> <li>• MT 4084: CTO</li> <li>• MT 4086: CTO</li> <li>• MT 4087: CTO</li> <li>• MT 7358: CTO</li> <li>• MT 7373: CTO</li> <li>• MT 7484: CTO</li> <li>• MT 7639: CTO</li> <li>• MT 9728: CTO</li> <li>• MT 9960: CTO</li> <li>• MT 9965: CTO</li> <li>• MT 3231, 4085, 6138, 6209, 6239, 6302, 7188, 7244, 7347, 7355, 7571, 7628, 7635, 8494, and 8854_SB</li> </ul>	71Y8286	1
Italian <ul style="list-style-type: none"> <li>• MT 3063: CTO</li> <li>• MT 3285: CTO</li> <li>• MT 4084: CTO</li> <li>• MT 4086: CTO</li> <li>• MT 4087: CTO</li> <li>• MT 7358: CTO</li> <li>• MT 7373: CTO</li> <li>• MT 7484: CTO</li> <li>• MT 7639: CTO</li> <li>• MT 9728: CTO</li> <li>• MT 9960: CTO</li> <li>• MT 9965: CTO</li> <li>• MT 3231, 4085, 6138, 6209, 6239, 6302, 7188, 7244, 7347, 7355, 7571, 7628, 7635, 8494, and 8854_SB</li> </ul>	71Y8287	1
Japan <ul style="list-style-type: none"> <li>• MT 3063: CTO</li> <li>• MT 3285: CTO</li> <li>• MT 4084: CTO</li> <li>• MT 4086: CTO</li> <li>• MT 4087: CTO</li> <li>• MT 7358: CTO</li> <li>• MT 7373: CTO</li> <li>• MT 7484: CTO</li> <li>• MT 7639: CTO</li> <li>• MT 9728: CTO</li> <li>• MT 9960: CTO</li> <li>• MT 9965: CTO</li> </ul>	71Y8288	1

Windows XP Professional	FRU #	CRU
<ul style="list-style-type: none"> <li>• MT 3231, 4085, 6138, 6209, 6239, 6302, 7188, 7244, 7347, 7355, 7571, 7628, 7635, 8494, and 8854_SB</li> </ul>		
<p>Korea</p> <ul style="list-style-type: none"> <li>• MT 3063: CTO</li> <li>• MT 3285: CTO</li> <li>• MT 4084: CTO</li> <li>• MT 4086: CTO</li> <li>• MT 4087: CTO</li> <li>• MT 7358: CTO</li> <li>• MT 7373: CTO</li> <li>• MT 7484: CTO</li> <li>• MT 7639: CTO</li> <li>• MT 9728: CTO</li> <li>• MT 9960: CTO</li> <li>• MT 9965: CTO</li> <li>• MT 3231, 4085, 6138, 6209, 6239, 6302, 7188, 7244, 7347, 7355, 7571, 7628, 7635, 8494, and 8854_SB</li> </ul>	71Y8289	1
<p>Dutch</p> <ul style="list-style-type: none"> <li>• MT 3063: CTO</li> <li>• MT 3285: CTO</li> <li>• MT 4084: CTO</li> <li>• MT 4086: CTO</li> <li>• MT 4087: CTO</li> <li>• MT 7358: CTO</li> <li>• MT 7373: CTO</li> <li>• MT 7484: CTO</li> <li>• MT 7639: CTO</li> <li>• MT 9728: CTO</li> <li>• MT 9960: CTO</li> <li>• MT 9965: CTO</li> <li>• MT 3231, 4085, 6138, 6209, 6239, 6302, 7188, 7244, 7347, 7355, 7571, 7628, 7635, 8494, and 8854_SB</li> </ul>	71Y8290	1
<p>Norway</p> <ul style="list-style-type: none"> <li>• MT 3063: CTO</li> <li>• MT 3285: CTO</li> <li>• MT 4084: CTO</li> <li>• MT 4086: CTO</li> <li>• MT 4087: CTO</li> <li>• MT 7358: CTO</li> <li>• MT 7373: CTO</li> <li>• MT 7484: CTO</li> <li>• MT 7639: CTO</li> <li>• MT 9728: CTO</li> </ul>	71Y8291	1



Windows XP Professional	FRU #	CRU
<ul style="list-style-type: none"> <li>• MT 9960: CTO</li> <li>• MT 9965: CTO</li> <li>• MT 3231, 4085, 6138, 6209, 6239, 6302, 7188, 7244, 7347, 7355, 7571, 7628, 7635, 8494, and 8854_SB</li> </ul>		
Polish <ul style="list-style-type: none"> <li>• MT 3063: CTO</li> <li>• MT 3285: CTO</li> <li>• MT 4084: CTO</li> <li>• MT 4086: CTO</li> <li>• MT 4087: CTO</li> <li>• MT 7358: CTO</li> <li>• MT 7373: CTO</li> <li>• MT 7484: CTO</li> <li>• MT 7639: CTO</li> <li>• MT 9728: CTO</li> <li>• MT 9960: CTO</li> <li>• MT 9965: CTO</li> <li>• MT 3231, 4085, 6138, 6209, 6239, 6302, 7188, 7244, 7347, 7355, 7571, 7628, 7635, 8494, and 8854_SB</li> </ul>	71Y8292	1
Portuguese <ul style="list-style-type: none"> <li>• MT 3063: CTO</li> <li>• MT 3285: CTO</li> <li>• MT 4084: CTO</li> <li>• MT 4086: CTO</li> <li>• MT 4087: CTO</li> <li>• MT 7358: CTO</li> <li>• MT 7373: CTO</li> <li>• MT 7484: CTO</li> <li>• MT 7639: CTO</li> <li>• MT 9728: CTO</li> <li>• MT 9960: CTO</li> <li>• MT 9965: CTO</li> <li>• MT 3231, 4085, 6138, 6209, 6239, 6302, 7188, 7244, 7347, 7355, 7571, 7628, 7635, 8494, and 8854_SB</li> </ul>	71Y8293	1

Windows XP Professional	FRU #	CRU
Russian English <ul style="list-style-type: none"> <li>• MT 3063: CTO</li> <li>• MT 3285: CTO</li> <li>• MT 4084: CTO</li> <li>• MT 4086: CTO</li> <li>• MT 4087: CTO</li> <li>• MT 7358: CTO</li> <li>• MT 7373: CTO</li> <li>• MT 7484: CTO</li> <li>• MT 7639: CTO</li> <li>• MT 9728: CTO</li> <li>• MT 9960: CTO</li> <li>• MT 9965: CTO</li> <li>• MT 3231, 4085, 6138, 6209, 6239, 6302, 7188, 7244, 7347, 7355, 7571, 7628, 7635, 8494, and 8854_SB</li> </ul>	71Y8294	1
Russian <ul style="list-style-type: none"> <li>• MT 3063: CTO</li> <li>• MT 3285: CTO</li> <li>• MT 4084: CTO</li> <li>• MT 4086: CTO</li> <li>• MT 4087: CTO</li> <li>• MT 7358: CTO</li> <li>• MT 7373: CTO</li> <li>• MT 7484: CTO</li> <li>• MT 7639: CTO</li> <li>• MT 9728: CTO</li> <li>• MT 9960: CTO</li> <li>• MT 9965: CTO</li> <li>• MT 3231, 4085, 6138, 6209, 6239, 6302, 7188, 7244, 7347, 7355, 7571, 7628, 7635, 8494, and 8854_SB</li> </ul>	71Y8295	1
Slovenian <ul style="list-style-type: none"> <li>• MT 3063: CTO</li> <li>• MT 3285: CTO</li> <li>• MT 4084: CTO</li> <li>• MT 4086: CTO</li> <li>• MT 4087: CTO</li> <li>• MT 7358: CTO</li> <li>• MT 7373: CTO</li> <li>• MT 7484: CTO</li> <li>• MT 7639: CTO</li> <li>• MT 9728: CTO</li> <li>• MT 9960: CTO</li> <li>• MT 9965: CTO</li> </ul>	71Y8296	1

Windows XP Professional	FRU #	CRU
<ul style="list-style-type: none"> <li>• MT 3231, 4085, 6138, 6209, 6239, 6302, 7188, 7244, 7347, 7355, 7571, 7628, 7635, 8494, and 8854_SB</li> </ul>		
Spanish <ul style="list-style-type: none"> <li>• MT 3063: CTO</li> <li>• MT 3285: CTO</li> <li>• MT 4084: CTO</li> <li>• MT 4086: CTO</li> <li>• MT 4087: CTO</li> <li>• MT 7358: CTO</li> <li>• MT 7373: CTO</li> <li>• MT 7484: CTO</li> <li>• MT 7639: CTO</li> <li>• MT 9728: CTO</li> <li>• MT 9960: CTO</li> <li>• MT 9965: CTO</li> <li>• MT 3231, 4085, 6138, 6209, 6239, 6302, 7188, 7244, 7347, 7355, 7571, 7628, 7635, 8494, and 8854_SB</li> </ul>	71Y8297	1
Swedish <ul style="list-style-type: none"> <li>• MT 3063: CTO</li> <li>• MT 3285: CTO</li> <li>• MT 4084: CTO</li> <li>• MT 4086: CTO</li> <li>• MT 4087: CTO</li> <li>• MT 7358: CTO</li> <li>• MT 7373: CTO</li> <li>• MT 7484: CTO</li> <li>• MT 7639: CTO</li> <li>• MT 9728: CTO</li> <li>• MT 9960: CTO</li> <li>• MT 9965: CTO</li> <li>• MT 3231, 4085, 6138, 6209, 6239, 6302, 7188, 7244, 7347, 7355, 7571, 7628, 7635, 8494, and 8854_SB</li> </ul>	71Y8298	1
Turkish <ul style="list-style-type: none"> <li>• MT 3063: CTO</li> <li>• MT 3285: CTO</li> <li>• MT 4084: CTO</li> <li>• MT 4086: CTO</li> <li>• MT 4087: CTO</li> <li>• MT 7358: CTO</li> <li>• MT 7373: CTO</li> <li>• MT 7484: CTO</li> <li>• MT 7639: CTO</li> <li>• MT 9728: CTO</li> </ul>	71Y8299	1

Windows XP Professional	FRU #	CRU
<ul style="list-style-type: none"> <li>• MT 9960: CTO</li> <li>• MT 9965: CTO</li> <li>• MT 3231, 4085, 6138, 6209, 6239, 6302, 7188, 7244, 7347, 7355, 7571, 7628, 7635, 8494, and 8854_SB</li> </ul>		
<p>English</p> <ul style="list-style-type: none"> <li>• MT 3063: CTO</li> <li>• MT 3285: CTO</li> <li>• MT 4084: CTO</li> <li>• MT 4086: CTO</li> <li>• MT 4087: CTO</li> <li>• MT 7358: CTO</li> <li>• MT 7373: CTO</li> <li>• MT 7484: CTO</li> <li>• MT 7639: CTO</li> <li>• MT 9728: CTO</li> <li>• MT 9960: CTO</li> <li>• MT 9965: CTO</li> <li>• MT 3231, 4085, 6138, 6209, 6239, 6302, 7188, 7244, 7347, 7355, 7571, 7628, 7635, 8494, and 8854_SB</li> </ul>	71Y9948	1
<p>MUI Nordics EN-DK-FI-NO-SV</p> <ul style="list-style-type: none"> <li>• MT 3063: CTO</li> <li>• MT 3285: CTO</li> <li>• MT 4084: CTO</li> <li>• MT 4086: CTO</li> <li>• MT 4087: CTO</li> <li>• MT 7358: CTO</li> <li>• MT 7373: CTO</li> <li>• MT 7484: CTO</li> <li>• MT 7639: CTO</li> <li>• MT 9728: CTO</li> <li>• MT 9960: CTO</li> <li>• MT 9965: CTO</li> <li>• MT 3231, 4085, 6138, 6209, 6239, 6302, 7188, 7244, 7347, 7355, 7571, 7628, 7635, 8494, and 8854_SB</li> </ul>	89Y7378	1

Windows XP Professional	FRU #	CRU
MUI Switz EN-FR-GR-IT <ul style="list-style-type: none"> <li>• MT 3063: CTO</li> <li>• MT 3285: CTO</li> <li>• MT 4084: CTO</li> <li>• MT 4086: CTO</li> <li>• MT 4087: CTO</li> <li>• MT 7358: CTO</li> <li>• MT 7373: CTO</li> <li>• MT 7484: CTO</li> <li>• MT 7639: CTO</li> <li>• MT 9728: CTO</li> <li>• MT 9960: CTO</li> <li>• MT 9965: CTO</li> <li>• MT 3231, 4085, 6138, 6209, 6239, 6302, 7188, 7244, 7347, 7355, 7571, 7628, 7635, 8494, and 8854_SB</li> </ul>	89Y7379	1
MUI Bel-Lux EN-FR-GR-NL <ul style="list-style-type: none"> <li>• MT 3063: CTO</li> <li>• MT 3285: CTO</li> <li>• MT 4084: CTO</li> <li>• MT 4086: CTO</li> <li>• MT 4087: CTO</li> <li>• MT 7358: CTO</li> <li>• MT 7373: CTO</li> <li>• MT 7484: CTO</li> <li>• MT 7639: CTO</li> <li>• MT 9728: CTO</li> <li>• MT 9960: CTO</li> <li>• MT 9965: CTO</li> <li>• MT 3231, 4085, 6138, 6209, 6239, 6302, 7188, 7244, 7347, 7355, 7571, 7628, 7635, 8494, and 8854_SB</li> </ul>	89Y7380	1

## Windows Vista 32 Home Basic Recovery CD

**Note:** The Windows Vista recovery DVDs are available only for models with a valid Microsoft Windows Vista certificate of authenticity (COA) affixed to the system. Due to a Microsoft licensing limitation, if a model came with Windows Vista Business or Windows Vista Ultimate preinstalled from the factory, but has a Windows 7 COA affixed to the system, that model is eligible only for recovery DVDs that match the operating system specified on the COA.

Windows Vista 32 Home Basic	FRU #	CRU
US English <ul style="list-style-type: none"> <li>• MT 3063:</li> <li>• MT 3285:</li> <li>• MT 4084:</li> <li>• MT 4086:</li> <li>• MT 4087:</li> <li>• MT 7358:</li> <li>• MT 7373:</li> <li>• MT 7484:</li> <li>• MT 7639:</li> <li>• MT 9728:</li> <li>• MT 9960:</li> <li>• MT 9965:</li> <li>• MT 3231, 4085, 6138, 6209, 6239, 6302, 7188, 7244, 7347, 7355, 7571, 7628, 7635, 8494, and 8854_SB</li> </ul>	89Y1969	1
French <ul style="list-style-type: none"> <li>• MT 3063:</li> <li>• MT 3285:</li> <li>• MT 4084:</li> <li>• MT 4086:</li> <li>• MT 4087:</li> <li>• MT 7358:</li> <li>• MT 7373:</li> <li>• MT 7484:</li> <li>• MT 7639:</li> <li>• MT 9728:</li> <li>• MT 9960:</li> <li>• MT 9965:</li> <li>• MT 3231, 4085, 6138, 6209, 6239, 6302, 7188, 7244, 7347, 7355, 7571, 7628, 7635, 8494, and 8854_SB</li> </ul>	89Y1949	1
German <ul style="list-style-type: none"> <li>• MT 3063:</li> <li>• MT 3285:</li> <li>• MT 4084:</li> <li>• MT 4086:</li> <li>• MT 4087:</li> <li>• MT 7358:</li> <li>• MT 7373:</li> <li>• MT 7484:</li> <li>• MT 7639:</li> <li>• MT 9728:</li> <li>• MT 9960:</li> <li>• MT 9965:</li> </ul>	89Y1951	1

Windows Vista 32 Home Basic	FRU #	CRU
<ul style="list-style-type: none"> <li>• MT 3231, 4085, 6138, 6209, 6239, 6302, 7188, 7244, 7347, 7355, 7571, 7628, 7635, 8494, and 8854_SB</li> </ul>		
Spanish <ul style="list-style-type: none"> <li>• MT 3063:</li> <li>• MT 3285:</li> <li>• MT 4084:</li> <li>• MT 4086:</li> <li>• MT 4087:</li> <li>• MT 7358:</li> <li>• MT 7373:</li> <li>• MT 7484:</li> <li>• MT 7639:</li> <li>• MT 9728:</li> <li>• MT 9960:</li> <li>• MT 9965:</li> <li>• MT 3231, 4085, 6138, 6209, 6239, 6302, 7188, 7244, 7347, 7355, 7571, 7628, 7635, 8494, and 8854_SB</li> </ul>	89Y1966	1
Brazilian <ul style="list-style-type: none"> <li>• MT 3063:</li> <li>• MT 3285:</li> <li>• MT 4084:</li> <li>• MT 4086:</li> <li>• MT 4087:</li> <li>• MT 7358:</li> <li>• MT 7373:</li> <li>• MT 7484:</li> <li>• MT 7639:</li> <li>• MT 9728:</li> <li>• MT 9960:</li> <li>• MT 9965:</li> <li>• MT 3231, 4085, 6138, 6209, 6239, 6302, 7188, 7244, 7347, 7355, 7571, 7628, 7635, 8494, and 8854_SB</li> </ul>	89Y1944	1
Italian <ul style="list-style-type: none"> <li>• MT 3063:</li> <li>• MT 3285:</li> <li>• MT 4084:</li> <li>• MT 4086:</li> <li>• MT 4087:</li> <li>• MT 7358:</li> <li>• MT 7373:</li> <li>• MT 7484:</li> <li>• MT 7639:</li> <li>• MT 9728:</li> </ul>	89Y1955	1

Windows Vista 32 Home Basic	FRU #	CRU
<ul style="list-style-type: none"> <li>• MT 9960:</li> <li>• MT 9965:</li> <li>• MT 3231, 4085, 6138, 6209, 6239, 6302, 7188, 7244, 7347, 7355, 7571, 7628, 7635, 8494, and 8854_SB</li> </ul>		
<p>Japanese</p> <ul style="list-style-type: none"> <li>• MT 3063:</li> <li>• MT 3285:</li> <li>• MT 4084:</li> <li>• MT 4086:</li> <li>• MT 4087:</li> <li>• MT 7358:</li> <li>• MT 7373:</li> <li>• MT 7484:</li> <li>• MT 7639:</li> <li>• MT 9728:</li> <li>• MT 9960:</li> <li>• MT 9965:</li> <li>• MT 3231, 4085, 6138, 6209, 6239, 6302, 7188, 7244, 7347, 7355, 7571, 7628, 7635, 8494, and 8854_SB</li> </ul>	89Y1956	1
<p>Dutch</p> <ul style="list-style-type: none"> <li>• MT 3063:</li> <li>• MT 3285:</li> <li>• MT 4084:</li> <li>• MT 4086:</li> <li>• MT 4087:</li> <li>• MT 7358:</li> <li>• MT 7373:</li> <li>• MT 7484:</li> <li>• MT 7639:</li> <li>• MT 9728:</li> <li>• MT 9960:</li> <li>• MT 9965:</li> <li>• MT 3231, 4085, 6138, 6209, 6239, 6302, 7188, 7244, 7347, 7355, 7571, 7628, 7635, 8494, and 8854_SB</li> </ul>	89Y1958	1



Windows Vista 32 Home Basic	FRU #	CRU
Czech <ul style="list-style-type: none"> <li>• MT 3063:</li> <li>• MT 3285:</li> <li>• MT 4084:</li> <li>• MT 4086:</li> <li>• MT 4087:</li> <li>• MT 7358:</li> <li>• MT 7373:</li> <li>• MT 7484:</li> <li>• MT 7639:</li> <li>• MT 9728:</li> <li>• MT 9960:</li> <li>• MT 9965:</li> <li>• MT 3231, 4085, 6138, 6209, 6239, 6302, 7188, 7244, 7347, 7355, 7571, 7628, 7635, 8494, and 8854_SB</li> </ul>	89Y1947	1
India English <ul style="list-style-type: none"> <li>• MT 3063:</li> <li>• MT 3285:</li> <li>• MT 4084:</li> <li>• MT 4086:</li> <li>• MT 4087:</li> <li>• MT 7358:</li> <li>• MT 7373:</li> <li>• MT 7484:</li> <li>• MT 7639:</li> <li>• MT 9728:</li> <li>• MT 9960:</li> <li>• MT 9965:</li> <li>• MT 3231, 4085, 6138, 6209, 6239, 6302, 7188, 7244, 7347, 7355, 7571, 7628, 7635, 8494, and 8854_SB</li> </ul>	89Y1948	1
Polish <ul style="list-style-type: none"> <li>• MT 3063:</li> <li>• MT 3285:</li> <li>• MT 4084:</li> <li>• MT 4086:</li> <li>• MT 4087:</li> <li>• MT 7358:</li> <li>• MT 7373:</li> <li>• MT 7484:</li> <li>• MT 7639:</li> <li>• MT 9728:</li> <li>• MT 9960:</li> <li>• MT 9965:</li> </ul>	89Y1959	1

Windows Vista 32 Home Basic	FRU #	CRU
<ul style="list-style-type: none"> <li>• MT 3231, 4085, 6138, 6209, 6239, 6302, 7188, 7244, 7347, 7355, 7571, 7628, 7635, 8494, and 8854_SB</li> </ul>		
<p>Russian</p> <ul style="list-style-type: none"> <li>• MT 3063:</li> <li>• MT 3285:</li> <li>• MT 4084:</li> <li>• MT 4086:</li> <li>• MT 4087:</li> <li>• MT 7358:</li> <li>• MT 7373:</li> <li>• MT 7484:</li> <li>• MT 7639:</li> <li>• MT 9728:</li> <li>• MT 9960:</li> <li>• MT 9965:</li> <li>• MT 3231, 4085, 6138, 6209, 6239, 6302, 7188, 7244, 7347, 7355, 7571, 7628, 7635, 8494, and 8854_SB</li> </ul>	89Y1963	1
<p>Turkish</p> <ul style="list-style-type: none"> <li>• MT 3063:</li> <li>• MT 3285:</li> <li>• MT 4084:</li> <li>• MT 4086:</li> <li>• MT 4087:</li> <li>• MT 7358:</li> <li>• MT 7373:</li> <li>• MT 7484:</li> <li>• MT 7639:</li> <li>• MT 9728:</li> <li>• MT 9960:</li> <li>• MT 9965:</li> <li>• MT 3231, 4085, 6138, 6209, 6239, 6302, 7188, 7244, 7347, 7355, 7571, 7628, 7635, 8494, and 8854_SB</li> </ul>	89Y1968	1
<p>Hungarian</p> <ul style="list-style-type: none"> <li>• MT 3063:</li> <li>• MT 3285:</li> <li>• MT 4084:</li> <li>• MT 4086:</li> <li>• MT 4087:</li> <li>• MT 7358:</li> <li>• MT 7373:</li> <li>• MT 7484:</li> <li>• MT 7639:</li> <li>• MT 9728:</li> </ul>	89Y1954	1

Windows Vista 32 Home Basic	FRU #	CRU
<ul style="list-style-type: none"> <li>• MT 9960:</li> <li>• MT 9965:</li> <li>• MT 3231, 4085, 6138, 6209, 6239, 6302, 7188, 7244, 7347, 7355, 7571, 7628, 7635, 8494, and 8854_SB</li> </ul>		
<p>Greek</p> <ul style="list-style-type: none"> <li>• MT 3063:</li> <li>• MT 3285:</li> <li>• MT 4084:</li> <li>• MT 4086:</li> <li>• MT 4087:</li> <li>• MT 7358:</li> <li>• MT 7373:</li> <li>• MT 7484:</li> <li>• MT 7639:</li> <li>• MT 9728:</li> <li>• MT 9960:</li> <li>• MT 9965:</li> <li>• MT 3231, 4085, 6138, 6209, 6239, 6302, 7188, 7244, 7347, 7355, 7571, 7628, 7635, 8494, and 8854_SB</li> </ul>	89Y1950	1
<p>,Portuguese</p> <ul style="list-style-type: none"> <li>• MT 3063:</li> <li>• MT 3285:</li> <li>• MT 4084:</li> <li>• MT 4086:</li> <li>• MT 4087:</li> <li>• MT 7358:</li> <li>• MT 7373:</li> <li>• MT 7484:</li> <li>• MT 7639:</li> <li>• MT 9728:</li> <li>• MT 9960:</li> <li>• MT 9965:</li> <li>• MT 3231, 4085, 6138, 6209, 6239, 6302, 7188, 7244, 7347, 7355, 7571, 7628, 7635, 8494, and 8854_SB</li> </ul>	89Y1960	1

Windows Vista 32 Home Basic	FRU #	CRU
<p>Hong Kong</p> <ul style="list-style-type: none"> <li>• MT 3063:</li> <li>• MT 3285:</li> <li>• MT 4084:</li> <li>• MT 4086:</li> <li>• MT 4087:</li> <li>• MT 7358:</li> <li>• MT 7373:</li> <li>• MT 7484:</li> <li>• MT 7639:</li> <li>• MT 9728:</li> <li>• MT 9960:</li> <li>• MT 9965:</li> <li>• MT 3231, 4085, 6138, 6209, 6239, 6302, 7188, 7244, 7347, 7355, 7571, 7628, 7635, 8494, and 8854_SB</li> </ul>	89Y1953	1
<p>Simplified Chinese</p> <ul style="list-style-type: none"> <li>• MT 3063:</li> <li>• MT 3285:</li> <li>• MT 4084:</li> <li>• MT 4086:</li> <li>• MT 4087:</li> <li>• MT 7358:</li> <li>• MT 7373:</li> <li>• MT 7484:</li> <li>• MT 7639:</li> <li>• MT 9728:</li> <li>• MT 9960:</li> <li>• MT 9965:</li> <li>• MT 3231, 4085, 6138, 6209, 6239, 6302, 7188, 7244, 7347, 7355, 7571, 7628, 7635, 8494, and 8854_SB</li> </ul>	89Y1945	1
<p>Traditional Chinese</p> <ul style="list-style-type: none"> <li>• MT 3063:</li> <li>• MT 3285:</li> <li>• MT 4084:</li> <li>• MT 4086:</li> <li>• MT 4087:</li> <li>• MT 7358:</li> <li>• MT 7373:</li> <li>• MT 7484:</li> <li>• MT 7639:</li> <li>• MT 9728:</li> <li>• MT 9960:</li> <li>• MT 9965:</li> </ul>	89Y1946	1

Windows Vista 32 Home Basic	FRU #	CRU
<ul style="list-style-type: none"> <li>• MT 3231, 4085, 6138, 6209, 6239, 6302, 7188, 7244, 7347, 7355, 7571, 7628, 7635, 8494, and 8854_SB</li> </ul>		
Korean <ul style="list-style-type: none"> <li>• MT 3063:</li> <li>• MT 3285:</li> <li>• MT 4084:</li> <li>• MT 4086:</li> <li>• MT 4087:</li> <li>• MT 7358:</li> <li>• MT 7373:</li> <li>• MT 7484:</li> <li>• MT 7639:</li> <li>• MT 9728:</li> <li>• MT 9960:</li> <li>• MT 9965:</li> <li>• MT 3231, 4085, 6138, 6209, 6239, 6302, 7188, 7244, 7347, 7355, 7571, 7628, 7635, 8494, and 8854_SB</li> </ul>	89Y1957	1
Slovenian <ul style="list-style-type: none"> <li>• MT 3063:</li> <li>• MT 3285:</li> <li>• MT 4084:</li> <li>• MT 4086:</li> <li>• MT 4087:</li> <li>• MT 7358:</li> <li>• MT 7373:</li> <li>• MT 7484:</li> <li>• MT 7639:</li> <li>• MT 9728:</li> <li>• MT 9960:</li> <li>• MT 9965:</li> <li>• MT 3231, 4085, 6138, 6209, 6239, 6302, 7188, 7244, 7347, 7355, 7571, 7628, 7635, 8494, and 8854_SB</li> </ul>	89Y1965	1
Russian English <ul style="list-style-type: none"> <li>• MT 3063:</li> <li>• MT 3285:</li> <li>• MT 4084:</li> <li>• MT 4086:</li> <li>• MT 4087:</li> <li>• MT 7358:</li> <li>• MT 7373:</li> <li>• MT 7484:</li> <li>• MT 7639:</li> <li>• MT 9728:</li> </ul>	89Y1961	1

Windows Vista 32 Home Basic	FRU #	CRU
<ul style="list-style-type: none"> <li>• MT 9960:</li> <li>• MT 9965:</li> <li>• MT 3231, 4085, 6138, 6209, 6239, 6302, 7188, 7244, 7347, 7355, 7571, 7628, 7635, 8494, and 8854_SB</li> </ul>		
<p>Hebrew</p> <ul style="list-style-type: none"> <li>• MT 3063:</li> <li>• MT 3285:</li> <li>• MT 4084:</li> <li>• MT 4086:</li> <li>• MT 4087:</li> <li>• MT 7358:</li> <li>• MT 7373:</li> <li>• MT 7484:</li> <li>• MT 7639:</li> <li>• MT 9728:</li> <li>• MT 9960:</li> <li>• MT 9965:</li> <li>• MT 3231, 4085, 6138, 6209, 6239, 6302, 7188, 7244, 7347, 7355, 7571, 7628, 7635, 8494, and 8854_SB</li> </ul>	89Y1952	1
<p>Arabic Localized</p> <ul style="list-style-type: none"> <li>• MT 3063:</li> <li>• MT 3285:</li> <li>• MT 4084:</li> <li>• MT 4086:</li> <li>• MT 4087:</li> <li>• MT 7358:</li> <li>• MT 7373:</li> <li>• MT 7484:</li> <li>• MT 7639:</li> <li>• MT 9728:</li> <li>• MT 9960:</li> <li>• MT 9965:</li> <li>• MT 3231, 4085, 6138, 6209, 6239, 6302, 7188, 7244, 7347, 7355, 7571, 7628, 7635, 8494, and 8854_SB</li> </ul>	89Y1943	1

Windows Vista 32 Home Basic	FRU #	CRU
Slovakian <ul style="list-style-type: none"> <li>• MT 3063:</li> <li>• MT 3285:</li> <li>• MT 4084:</li> <li>• MT 4086:</li> <li>• MT 4087:</li> <li>• MT 7358:</li> <li>• MT 7373:</li> <li>• MT 7484:</li> <li>• MT 7639:</li> <li>• MT 9728:</li> <li>• MT 9960:</li> <li>• MT 9965:</li> <li>• MT 3231, 4085, 6138, 6209, 6239, 6302, 7188, 7244, 7347, 7355, 7571, 7628, 7635, 8494, and 8854_SB</li> </ul>	89Y1964	1
Romanian <ul style="list-style-type: none"> <li>• MT 3063:</li> <li>• MT 3285:</li> <li>• MT 4084:</li> <li>• MT 4086:</li> <li>• MT 4087:</li> <li>• MT 7358:</li> <li>• MT 7373:</li> <li>• MT 7484:</li> <li>• MT 7639:</li> <li>• MT 9728:</li> <li>• MT 9960:</li> <li>• MT 9965:</li> <li>• MT 3231, 4085, 6138, 6209, 6239, 6302, 7188, 7244, 7347, 7355, 7571, 7628, 7635, 8494, and 8854_SB</li> </ul>	89Y1962	1
Serbian-Latin <ul style="list-style-type: none"> <li>• MT 3063:</li> <li>• MT 3285:</li> <li>• MT 4084:</li> <li>• MT 4086:</li> <li>• MT 4087:</li> <li>• MT 7358:</li> <li>• MT 7373:</li> <li>• MT 7484:</li> <li>• MT 7639:</li> <li>• MT 9728:</li> <li>• MT 9960:</li> <li>• MT 9965:</li> </ul>	89Y1967	1

Windows Vista 32 Home Basic	FRU #	CRU
<ul style="list-style-type: none"> <li>• MT 3231, 4085, 6138, 6209, 6239, 6302, 7188, 7244, 7347, 7355, 7571, 7628, 7635, 8494, and 8854_SB</li> </ul>		
<p>C&amp;L1 Nordics (EN DK FI NO SV)</p> <ul style="list-style-type: none"> <li>• MT 3063:</li> <li>• MT 3285:</li> <li>• MT 4084:</li> <li>• MT 4086:</li> <li>• MT 4087:</li> <li>• MT 7358:</li> <li>• MT 7373:</li> <li>• MT 7484:</li> <li>• MT 7639:</li> <li>• MT 9728:</li> <li>• MT 9960:</li> <li>• MT 9965:</li> <li>• MT 3231, 4085, 6138, 6209, 6239, 6302, 7188, 7244, 7347, 7355, 7571, 7628, 7635, 8494, and 8854_SB</li> </ul>	89Y1970	1
<p>C&amp;L2 Switzerland (EN FR GR IT)</p> <ul style="list-style-type: none"> <li>• MT 3063:</li> <li>• MT 3285:</li> <li>• MT 4084:</li> <li>• MT 4086:</li> <li>• MT 4087:</li> <li>• MT 7358:</li> <li>• MT 7373:</li> <li>• MT 7484:</li> <li>• MT 7639:</li> <li>• MT 9728:</li> <li>• MT 9960:</li> <li>• MT 9965:</li> <li>• MT 3231, 4085, 6138, 6209, 6239, 6302, 7188, 7244, 7347, 7355, 7571, 7628, 7635, 8494, and 8854_SB</li> </ul>	89Y1972	1
<p>C&amp;L3 Bel Lux (EN FR GR NL)</p> <ul style="list-style-type: none"> <li>• MT 3063:</li> <li>• MT 3285:</li> <li>• MT 4084:</li> <li>• MT 4086:</li> <li>• MT 4087:</li> <li>• MT 7358:</li> <li>• MT 7373:</li> <li>• MT 7484:</li> <li>• MT 7639:</li> <li>• MT 9728:</li> </ul>	89Y1971	1



Windows Vista 32 Home Basic	FRU #	CRU
<ul style="list-style-type: none"> <li>• MT 9960:</li> <li>• MT 9965:</li> <li>• MT 3231, 4085, 6138, 6209, 6239, 6302, 7188, 7244, 7347, 7355, 7571, 7628, 7635, 8494, and 8854_SB</li> </ul>		

## Windows Vista Home Basic 32 with IE9 Recovery CD

**Note:** The Windows Vista recovery DVDs are available only for models with a valid Microsoft Windows Vista certificate of authenticity (COA) affixed to the system. Due to a Microsoft licensing limitation, if a model came with Windows Vista Business or Windows Vista Ultimate preinstalled from the factory, but has a Windows 7 COA affixed to the system, that model is eligible only for recovery DVDs that match the operating system specified on the COA.

Windows Vista Home Basic 32 with IE9	FRU #	CRU
US English <ul style="list-style-type: none"> <li>• MT 3063:</li> <li>• MT 3285:</li> <li>• MT 4084:</li> <li>• MT 4086:</li> <li>• MT 4087:</li> <li>• MT 7358:</li> <li>• MT 7373:</li> <li>• MT 7484:</li> <li>• MT 7639:</li> <li>• MT 9728:</li> <li>• MT 9960:</li> <li>• MT 9965:</li> <li>• MT 3231, 4085, 6138, 6209, 6239, 6302, 7188, 7244, 7347, 7355, 7571, 7628, 7635, 8494, and 8854_SB</li> </ul>	03T2135	1
French <ul style="list-style-type: none"> <li>• MT 3063:</li> <li>• MT 3285:</li> <li>• MT 4084:</li> <li>• MT 4086:</li> <li>• MT 4087:</li> <li>• MT 7358:</li> <li>• MT 7373:</li> <li>• MT 7484:</li> <li>• MT 7639:</li> <li>• MT 9728:</li> <li>• MT 9960:</li> <li>• MT 9965:</li> <li>• MT 3231, 4085, 6138, 6209, 6239, 6302, 7188, 7244, 7347, 7355, 7571, 7628, 7635, 8494, and 8854_SB</li> </ul>	03T2115	1

Windows Vista Home Basic 32 with IE9	FRU #	CRU
Greek <ul style="list-style-type: none"> <li>• MT 3063:</li> <li>• MT 3285:</li> <li>• MT 4084:</li> <li>• MT 4086:</li> <li>• MT 4087:</li> <li>• MT 7358:</li> <li>• MT 7373:</li> <li>• MT 7484:</li> <li>• MT 7639:</li> <li>• MT 9728:</li> <li>• MT 9960:</li> <li>• MT 9965:</li> <li>• MT 3231, 4085, 6138, 6209, 6239, 6302, 7188, 7244, 7347, 7355, 7571, 7628, 7635, 8494, and 8854_SB</li> </ul>	03T2116	1
Hebrew <ul style="list-style-type: none"> <li>• MT 3063:</li> <li>• MT 3285:</li> <li>• MT 4084:</li> <li>• MT 4086:</li> <li>• MT 4087:</li> <li>• MT 7358:</li> <li>• MT 7373:</li> <li>• MT 7484:</li> <li>• MT 7639:</li> <li>• MT 9728:</li> <li>• MT 9960:</li> <li>• MT 9965:</li> <li>• MT 3231, 4085, 6138, 6209, 6239, 6302, 7188, 7244, 7347, 7355, 7571, 7628, 7635, 8494, and 8854_SB</li> </ul>	03T2118	1
Spanish <ul style="list-style-type: none"> <li>• MT 3063:</li> <li>• MT 3285:</li> <li>• MT 4084:</li> <li>• MT 4086:</li> <li>• MT 4087:</li> <li>• MT 7358:</li> <li>• MT 7373:</li> <li>• MT 7484:</li> <li>• MT 7639:</li> <li>• MT 9728:</li> <li>• MT 9960:</li> <li>• MT 9965:</li> </ul>	03T2132	1

Windows Vista Home Basic 32 with IE9	FRU #	CRU
<ul style="list-style-type: none"> <li>• MT 3231, 4085, 6138, 6209, 6239, 6302, 7188, 7244, 7347, 7355, 7571, 7628, 7635, 8494, and 8854_SB</li> </ul>		
Brazilian <ul style="list-style-type: none"> <li>• MT 3063:</li> <li>• MT 3285:</li> <li>• MT 4084:</li> <li>• MT 4086:</li> <li>• MT 4087:</li> <li>• MT 7358:</li> <li>• MT 7373:</li> <li>• MT 7484:</li> <li>• MT 7639:</li> <li>• MT 9728:</li> <li>• MT 9960:</li> <li>• MT 9965:</li> <li>• MT 3231, 4085, 6138, 6209, 6239, 6302, 7188, 7244, 7347, 7355, 7571, 7628, 7635, 8494, and 8854_SB</li> </ul>	03T2111	1
India English <ul style="list-style-type: none"> <li>• MT 3063:</li> <li>• MT 3285:</li> <li>• MT 4084:</li> <li>• MT 4086:</li> <li>• MT 4087:</li> <li>• MT 7358:</li> <li>• MT 7373:</li> <li>• MT 7484:</li> <li>• MT 7639:</li> <li>• MT 9728:</li> <li>• MT 9960:</li> <li>• MT 9965:</li> <li>• MT 3231, 4085, 6138, 6209, 6239, 6302, 7188, 7244, 7347, 7355, 7571, 7628, 7635, 8494, and 8854_SB</li> </ul>	03T2122	1
Dutch <ul style="list-style-type: none"> <li>• MT 3063:</li> <li>• MT 3285:</li> <li>• MT 4084:</li> <li>• MT 4086:</li> <li>• MT 4087:</li> <li>• MT 7358:</li> <li>• MT 7373:</li> <li>• MT 7484:</li> <li>• MT 7639:</li> <li>• MT 9728:</li> </ul>	03T2124	1

Windows Vista Home Basic 32 with IE9	FRU #	CRU
<ul style="list-style-type: none"> <li>• MT 9960:</li> <li>• MT 9965:</li> <li>• MT 3231, 4085, 6138, 6209, 6239, 6302, 7188, 7244, 7347, 7355, 7571, 7628, 7635, 8494, and 8854_SB</li> </ul>		
<p>Czech</p> <ul style="list-style-type: none"> <li>• MT 3063:</li> <li>• MT 3285:</li> <li>• MT 4084:</li> <li>• MT 4086:</li> <li>• MT 4087:</li> <li>• MT 7358:</li> <li>• MT 7373:</li> <li>• MT 7484:</li> <li>• MT 7639:</li> <li>• MT 9728:</li> <li>• MT 9960:</li> <li>• MT 9965:</li> <li>• MT 3231, 4085, 6138, 6209, 6239, 6302, 7188, 7244, 7347, 7355, 7571, 7628, 7635, 8494, and 8854_SB</li> </ul>	03T2114	1
<p>Polish</p> <ul style="list-style-type: none"> <li>• MT 3063:</li> <li>• MT 3285:</li> <li>• MT 4084:</li> <li>• MT 4086:</li> <li>• MT 4087:</li> <li>• MT 7358:</li> <li>• MT 7373:</li> <li>• MT 7484:</li> <li>• MT 7639:</li> <li>• MT 9728:</li> <li>• MT 9960:</li> <li>• MT 9965:</li> <li>• MT 3231, 4085, 6138, 6209, 6239, 6302, 7188, 7244, 7347, 7355, 7571, 7628, 7635, 8494, and 8854_SB</li> </ul>	03T2125	1

Windows Vista Home Basic 32 with IE9	FRU #	CRU
Russian <ul style="list-style-type: none"> <li>• MT 3063:</li> <li>• MT 3285:</li> <li>• MT 4084:</li> <li>• MT 4086:</li> <li>• MT 4087:</li> <li>• MT 7358:</li> <li>• MT 7373:</li> <li>• MT 7484:</li> <li>• MT 7639:</li> <li>• MT 9728:</li> <li>• MT 9960:</li> <li>• MT 9965:</li> <li>• MT 3231, 4085, 6138, 6209, 6239, 6302, 7188, 7244, 7347, 7355, 7571, 7628, 7635, 8494, and 8854_SB</li> </ul>	03T2129	1
Turkish <ul style="list-style-type: none"> <li>• MT 3063:</li> <li>• MT 3285:</li> <li>• MT 4084:</li> <li>• MT 4086:</li> <li>• MT 4087:</li> <li>• MT 7358:</li> <li>• MT 7373:</li> <li>• MT 7484:</li> <li>• MT 7639:</li> <li>• MT 9728:</li> <li>• MT 9960:</li> <li>• MT 9965:</li> <li>• MT 3231, 4085, 6138, 6209, 6239, 6302, 7188, 7244, 7347, 7355, 7571, 7628, 7635, 8494, and 8854_SB</li> </ul>	03T2134	1
Italian <ul style="list-style-type: none"> <li>• MT 3063:</li> <li>• MT 3285:</li> <li>• MT 4084:</li> <li>• MT 4086:</li> <li>• MT 4087:</li> <li>• MT 7358:</li> <li>• MT 7373:</li> <li>• MT 7484:</li> <li>• MT 7639:</li> <li>• MT 9728:</li> <li>• MT 9960:</li> <li>• MT 9965:</li> </ul>	03T2121	1

Windows Vista Home Basic 32 with IE9	FRU #	CRU
<ul style="list-style-type: none"> <li>• MT 3231, 4085, 6138, 6209, 6239, 6302, 7188, 7244, 7347, 7355, 7571, 7628, 7635, 8494, and 8854_SB</li> </ul>		
<p>German</p> <ul style="list-style-type: none"> <li>• MT 3063:</li> <li>• MT 3285:</li> <li>• MT 4084:</li> <li>• MT 4086:</li> <li>• MT 4087:</li> <li>• MT 7358:</li> <li>• MT 7373:</li> <li>• MT 7484:</li> <li>• MT 7639:</li> <li>• MT 9728:</li> <li>• MT 9960:</li> <li>• MT 9965:</li> <li>• MT 3231, 4085, 6138, 6209, 6239, 6302, 7188, 7244, 7347, 7355, 7571, 7628, 7635, 8494, and 8854_SB</li> </ul>	03T2117	1
<p>Portuguese</p> <ul style="list-style-type: none"> <li>• MT 3063:</li> <li>• MT 3285:</li> <li>• MT 4084:</li> <li>• MT 4086:</li> <li>• MT 4087:</li> <li>• MT 7358:</li> <li>• MT 7373:</li> <li>• MT 7484:</li> <li>• MT 7639:</li> <li>• MT 9728:</li> <li>• MT 9960:</li> <li>• MT 9965:</li> <li>• MT 3231, 4085, 6138, 6209, 6239, 6302, 7188, 7244, 7347, 7355, 7571, 7628, 7635, 8494, and 8854_SB</li> </ul>	03T2126	1
<p>Hungarian</p> <ul style="list-style-type: none"> <li>• MT 3063:</li> <li>• MT 3285:</li> <li>• MT 4084:</li> <li>• MT 4086:</li> <li>• MT 4087:</li> <li>• MT 7358:</li> <li>• MT 7373:</li> <li>• MT 7484:</li> <li>• MT 7639:</li> <li>• MT 9728:</li> </ul>	03T2120	1

Windows Vista Home Basic 32 with IE9	FRU #	CRU
<ul style="list-style-type: none"> <li>• MT 9960:</li> <li>• MT 9965:</li> <li>• MT 3231, 4085, 6138, 6209, 6239, 6302, 7188, 7244, 7347, 7355, 7571, 7628, 7635, 8494, and 8854_SB</li> </ul>		
<p>Simplified Chinese</p> <ul style="list-style-type: none"> <li>• MT 3063:</li> <li>• MT 3285:</li> <li>• MT 4084:</li> <li>• MT 4086:</li> <li>• MT 4087:</li> <li>• MT 7358:</li> <li>• MT 7373:</li> <li>• MT 7484:</li> <li>• MT 7639:</li> <li>• MT 9728:</li> <li>• MT 9960:</li> <li>• MT 9965:</li> <li>• MT 3231, 4085, 6138, 6209, 6239, 6302, 7188, 7244, 7347, 7355, 7571, 7628, 7635, 8494, and 8854_SB</li> </ul>	03T2112	1
<p>Traditional Chinese</p> <ul style="list-style-type: none"> <li>• MT 3063:</li> <li>• MT 3285:</li> <li>• MT 4084:</li> <li>• MT 4086:</li> <li>• MT 4087:</li> <li>• MT 7358:</li> <li>• MT 7373:</li> <li>• MT 7484:</li> <li>• MT 7639:</li> <li>• MT 9728:</li> <li>• MT 9960:</li> <li>• MT 9965:</li> <li>• MT 3231, 4085, 6138, 6209, 6239, 6302, 7188, 7244, 7347, 7355, 7571, 7628, 7635, 8494, and 8854_SB</li> </ul>	03T2113	1

Windows Vista Home Basic 32 with IE9	FRU #	CRU
Korean <ul style="list-style-type: none"> <li>• MT 3063:</li> <li>• MT 3285:</li> <li>• MT 4084:</li> <li>• MT 4086:</li> <li>• MT 4087:</li> <li>• MT 7358:</li> <li>• MT 7373:</li> <li>• MT 7484:</li> <li>• MT 7639:</li> <li>• MT 9728:</li> <li>• MT 9960:</li> <li>• MT 9965:</li> <li>• MT 3231, 4085, 6138, 6209, 6239, 6302, 7188, 7244, 7347, 7355, 7571, 7628, 7635, 8494, and 8854_SB</li> </ul>	03T2123	1
Slovenian <ul style="list-style-type: none"> <li>• MT 3063:</li> <li>• MT 3285:</li> <li>• MT 4084:</li> <li>• MT 4086:</li> <li>• MT 4087:</li> <li>• MT 7358:</li> <li>• MT 7373:</li> <li>• MT 7484:</li> <li>• MT 7639:</li> <li>• MT 9728:</li> <li>• MT 9960:</li> <li>• MT 9965:</li> <li>• MT 3231, 4085, 6138, 6209, 6239, 6302, 7188, 7244, 7347, 7355, 7571, 7628, 7635, 8494, and 8854_SB</li> </ul>	03T2131	1
Russian English <ul style="list-style-type: none"> <li>• MT 3063:</li> <li>• MT 3285:</li> <li>• MT 4084:</li> <li>• MT 4086:</li> <li>• MT 4087:</li> <li>• MT 7358:</li> <li>• MT 7373:</li> <li>• MT 7484:</li> <li>• MT 7639:</li> <li>• MT 9728:</li> <li>• MT 9960:</li> <li>• MT 9965:</li> </ul>	03T2127	1



Windows Vista Home Basic 32 with IE9	FRU #	CRU
<ul style="list-style-type: none"> <li>• MT 3231, 4085, 6138, 6209, 6239, 6302, 7188, 7244, 7347, 7355, 7571, 7628, 7635, 8494, and 8854_SB</li> </ul>		
<p>Hong Kong</p> <ul style="list-style-type: none"> <li>• MT 3063:</li> <li>• MT 3285:</li> <li>• MT 4084:</li> <li>• MT 4086:</li> <li>• MT 4087:</li> <li>• MT 7358:</li> <li>• MT 7373:</li> <li>• MT 7484:</li> <li>• MT 7639:</li> <li>• MT 9728:</li> <li>• MT 9960:</li> <li>• MT 9965:</li> <li>• MT 3231, 4085, 6138, 6209, 6239, 6302, 7188, 7244, 7347, 7355, 7571, 7628, 7635, 8494, and 8854_SB</li> </ul>	03T2119	1
<p>Arabic Localized</p> <ul style="list-style-type: none"> <li>• MT 3063:</li> <li>• MT 3285:</li> <li>• MT 4084:</li> <li>• MT 4086:</li> <li>• MT 4087:</li> <li>• MT 7358:</li> <li>• MT 7373:</li> <li>• MT 7484:</li> <li>• MT 7639:</li> <li>• MT 9728:</li> <li>• MT 9960:</li> <li>• MT 9965:</li> <li>• MT 3231, 4085, 6138, 6209, 6239, 6302, 7188, 7244, 7347, 7355, 7571, 7628, 7635, 8494, and 8854_SB</li> </ul>	03T2110	1
<p>Slovakian</p> <ul style="list-style-type: none"> <li>• MT 3063:</li> <li>• MT 3285:</li> <li>• MT 4084:</li> <li>• MT 4086:</li> <li>• MT 4087:</li> <li>• MT 7358:</li> <li>• MT 7373:</li> <li>• MT 7484:</li> <li>• MT 7639:</li> <li>• MT 9728:</li> </ul>	03T2130	1

Windows Vista Home Basic 32 with IE9	FRU #	CRU
<ul style="list-style-type: none"> <li>• MT 9960:</li> <li>• MT 9965:</li> <li>• MT 3231, 4085, 6138, 6209, 6239, 6302, 7188, 7244, 7347, 7355, 7571, 7628, 7635, 8494, and 8854_SB</li> </ul>		
Romanian <ul style="list-style-type: none"> <li>• MT 3063:</li> <li>• MT 3285:</li> <li>• MT 4084:</li> <li>• MT 4086:</li> <li>• MT 4087:</li> <li>• MT 7358:</li> <li>• MT 7373:</li> <li>• MT 7484:</li> <li>• MT 7639:</li> <li>• MT 9728:</li> <li>• MT 9960:</li> <li>• MT 9965:</li> <li>• MT 3231, 4085, 6138, 6209, 6239, 6302, 7188, 7244, 7347, 7355, 7571, 7628, 7635, 8494, and 8854_SB</li> </ul>	03T2128	1
Serbian-Latin <ul style="list-style-type: none"> <li>• MT 3063:</li> <li>• MT 3285:</li> <li>• MT 4084:</li> <li>• MT 4086:</li> <li>• MT 4087:</li> <li>• MT 7358:</li> <li>• MT 7373:</li> <li>• MT 7484:</li> <li>• MT 7639:</li> <li>• MT 9728:</li> <li>• MT 9960:</li> <li>• MT 9965:</li> <li>• MT 3231, 4085, 6138, 6209, 6239, 6302, 7188, 7244, 7347, 7355, 7571, 7628, 7635, 8494, and 8854_SB</li> </ul>	03T2133	1

Windows Vista Home Basic 32 with IE9	FRU #	CRU
C&L1 Nordics (EN DK FI NO SV) <ul style="list-style-type: none"> <li>• MT 3063:</li> <li>• MT 3285:</li> <li>• MT 4084:</li> <li>• MT 4086:</li> <li>• MT 4087:</li> <li>• MT 7358:</li> <li>• MT 7373:</li> <li>• MT 7484:</li> <li>• MT 7639:</li> <li>• MT 9728:</li> <li>• MT 9960:</li> <li>• MT 9965:</li> <li>• MT 3231, 4085, 6138, 6209, 6239, 6302, 7188, 7244, 7347, 7355, 7571, 7628, 7635, 8494, and 8854_SB</li> </ul>	03T2136	1
C&L2 Switzerland (EN FR GR IT) <ul style="list-style-type: none"> <li>• MT 3063:</li> <li>• MT 3285:</li> <li>• MT 4084:</li> <li>• MT 4086:</li> <li>• MT 4087:</li> <li>• MT 7358:</li> <li>• MT 7373:</li> <li>• MT 7484:</li> <li>• MT 7639:</li> <li>• MT 9728:</li> <li>• MT 9960:</li> <li>• MT 9965:</li> <li>• MT 3231, 4085, 6138, 6209, 6239, 6302, 7188, 7244, 7347, 7355, 7571, 7628, 7635, 8494, and 8854_SB</li> </ul>	03T2138	1
C&L3 Bel Lux (EN FR GR NL) <ul style="list-style-type: none"> <li>• MT 3063:</li> <li>• MT 3285:</li> <li>• MT 4084:</li> <li>• MT 4086:</li> <li>• MT 4087:</li> <li>• MT 7358:</li> <li>• MT 7373:</li> <li>• MT 7484:</li> <li>• MT 7639:</li> <li>• MT 9728:</li> <li>• MT 9960:</li> <li>• MT 9965:</li> </ul>	03T2137	1

Windows Vista Home Basic 32 with IE9	FRU #	CRU
<ul style="list-style-type: none"> <li>MT 3231, 4085, 6138, 6209, 6239, 6302, 7188, 7244, 7347, 7355, 7571, 7628, 7635, 8494, and 8854_SB</li> </ul>		
Japanese <ul style="list-style-type: none"> <li>MT 3063:</li> <li>MT 3285:</li> <li>MT 4084:</li> <li>MT 4086:</li> <li>MT 4087:</li> <li>MT 7358:</li> <li>MT 7373:</li> <li>MT 7484:</li> <li>MT 7639:</li> <li>MT 9728:</li> <li>MT 9960:</li> <li>MT 9965:</li> <li>MT 3231, 4085, 6138, 6209, 6239, 6302, 7188, 7244, 7347, 7355, 7571, 7628, 7635, 8494, and 8854_SB</li> </ul>	03T2170	1

## Windows Vista Business 32 Recovery CD

**Note:** The Windows Vista recovery DVDs are available only for models with a valid Microsoft Windows Vista certificate of authenticity (COA) affixed to the system. Due to a Microsoft licensing limitation, if a model came with Windows Vista Business or Windows Vista Ultimate preinstalled from the factory, but has a Windows 7 COA affixed to the system, that model is eligible only for recovery DVDs that match the operating system specified on the COA.

Windows Vista Business 32	FRU #	CRU
US English <ul style="list-style-type: none"> <li>MT 3063:</li> <li>MT 3285:</li> <li>MT 4084:</li> <li>MT 4086:</li> <li>MT 4087:</li> <li>MT 7358:</li> <li>MT 7373:</li> <li>MT 7484:</li> <li>MT 7639:</li> <li>MT 9728:</li> <li>MT 9960:</li> <li>MT 9965:</li> <li>MT 3231, 4085, 6138, 6209, 6239, 6302, 7188, 7244, 7347, 7355, 7571, 7628, 7635, 8494, and 8854_SB</li> </ul>	89Y1939	1
French <ul style="list-style-type: none"> <li>MT 3063:</li> <li>MT 3285:</li> </ul>	89Y1918	1

Windows Vista Business 32	FRU #	CRU
<ul style="list-style-type: none"> <li>• MT 4084:</li> <li>• MT 4086:</li> <li>• MT 4087:</li> <li>• MT 7358:</li> <li>• MT 7373:</li> <li>• MT 7484:</li> <li>• MT 7639:</li> <li>• MT 9728:</li> <li>• MT 9960:</li> <li>• MT 9965:</li> <li>• MT 3231, 4085, 6138, 6209, 6239, 6302, 7188, 7244, 7347, 7355, 7571, 7628, 7635, 8494, and 8854_SB</li> </ul>		
<p>German</p> <ul style="list-style-type: none"> <li>• MT 3063:</li> <li>• MT 3285:</li> <li>• MT 4084:</li> <li>• MT 4086:</li> <li>• MT 4087:</li> <li>• MT 7358:</li> <li>• MT 7373:</li> <li>• MT 7484:</li> <li>• MT 7639:</li> <li>• MT 9728:</li> <li>• MT 9960:</li> <li>• MT 9965:</li> <li>• MT 3231, 4085, 6138, 6209, 6239, 6302, 7188, 7244, 7347, 7355, 7571, 7628, 7635, 8494, and 8854_SB</li> </ul>	89Y1920	1
<p>Spanish</p> <ul style="list-style-type: none"> <li>• MT 3063:</li> <li>• MT 3285:</li> <li>• MT 4084:</li> <li>• MT 4086:</li> <li>• MT 4087:</li> <li>• MT 7358:</li> <li>• MT 7373:</li> <li>• MT 7484:</li> <li>• MT 7639:</li> <li>• MT 9728:</li> <li>• MT 9960:</li> <li>• MT 9965:</li> <li>• MT 3231, 4085, 6138, 6209, 6239, 6302, 7188, 7244, 7347, 7355, 7571, 7628, 7635, 8494, and 8854_SB</li> </ul>	89Y1936	1

Windows Vista Business 32	FRU #	CRU
B/P <ul style="list-style-type: none"> <li>• MT 3063:</li> <li>• MT 3285:</li> <li>• MT 4084:</li> <li>• MT 4086:</li> <li>• MT 4087:</li> <li>• MT 7358:</li> <li>• MT 7373:</li> <li>• MT 7484:</li> <li>• MT 7639:</li> <li>• MT 9728:</li> <li>• MT 9960:</li> <li>• MT 9965:</li> <li>• MT 3231, 4085, 6138, 6209, 6239, 6302, 7188, 7244, 7347, 7355, 7571, 7628, 7635, 8494, and 8854_SB</li> </ul>	89Y1914	1
Italy <ul style="list-style-type: none"> <li>• MT 3063:</li> <li>• MT 3285:</li> <li>• MT 4084:</li> <li>• MT 4086:</li> <li>• MT 4087:</li> <li>• MT 7358:</li> <li>• MT 7373:</li> <li>• MT 7484:</li> <li>• MT 7639:</li> <li>• MT 9728:</li> <li>• MT 9960:</li> <li>• MT 9965:</li> <li>• MT 3231, 4085, 6138, 6209, 6239, 6302, 7188, 7244, 7347, 7355, 7571, 7628, 7635, 8494, and 8854_SB</li> </ul>	89Y1925	1
Japanese <ul style="list-style-type: none"> <li>• MT 3063:</li> <li>• MT 3285:</li> <li>• MT 4084:</li> <li>• MT 4086:</li> <li>• MT 4087:</li> <li>• MT 7358:</li> <li>• MT 7373:</li> <li>• MT 7484:</li> <li>• MT 7639:</li> <li>• MT 9728:</li> <li>• MT 9960:</li> <li>• MT 9965:</li> </ul>	89Y1926	1

Windows Vista Business 32	FRU #	CRU
<ul style="list-style-type: none"> <li>• MT 3231, 4085, 6138, 6209, 6239, 6302, 7188, 7244, 7347, 7355, 7571, 7628, 7635, 8494, and 8854_SB</li> </ul>		
<p>Dutch</p> <ul style="list-style-type: none"> <li>• MT 3063:</li> <li>• MT 3285:</li> <li>• MT 4084:</li> <li>• MT 4086:</li> <li>• MT 4087:</li> <li>• MT 7358:</li> <li>• MT 7373:</li> <li>• MT 7484:</li> <li>• MT 7639:</li> <li>• MT 9728:</li> <li>• MT 9960:</li> <li>• MT 9965:</li> <li>• MT 3231, 4085, 6138, 6209, 6239, 6302, 7188, 7244, 7347, 7355, 7571, 7628, 7635, 8494, and 8854_SB</li> </ul>	89Y1928	1
<p>Czech</p> <ul style="list-style-type: none"> <li>• MT 3063:</li> <li>• MT 3285:</li> <li>• MT 4084:</li> <li>• MT 4086:</li> <li>• MT 4087:</li> <li>• MT 7358:</li> <li>• MT 7373:</li> <li>• MT 7484:</li> <li>• MT 7639:</li> <li>• MT 9728:</li> <li>• MT 9960:</li> <li>• MT 9965:</li> <li>• MT 3231, 4085, 6138, 6209, 6239, 6302, 7188, 7244, 7347, 7355, 7571, 7628, 7635, 8494, and 8854_SB</li> </ul>	89Y1917	1
<p>Polish</p> <ul style="list-style-type: none"> <li>• MT 3063:</li> <li>• MT 3285:</li> <li>• MT 4084:</li> <li>• MT 4086:</li> <li>• MT 4087:</li> <li>• MT 7358:</li> <li>• MT 7373:</li> <li>• MT 7484:</li> <li>• MT 7639:</li> <li>• MT 9728:</li> </ul>	89Y1929	1

Windows Vista Business 32	FRU #	CRU
<ul style="list-style-type: none"> <li>• MT 9960:</li> <li>• MT 9965:</li> <li>• MT 3231, 4085, 6138, 6209, 6239, 6302, 7188, 7244, 7347, 7355, 7571, 7628, 7635, 8494, and 8854_SB</li> </ul>		
<p>Russian</p> <ul style="list-style-type: none"> <li>• MT 3063:</li> <li>• MT 3285:</li> <li>• MT 4084:</li> <li>• MT 4086:</li> <li>• MT 4087:</li> <li>• MT 7358:</li> <li>• MT 7373:</li> <li>• MT 7484:</li> <li>• MT 7639:</li> <li>• MT 9728:</li> <li>• MT 9960:</li> <li>• MT 9965:</li> <li>• MT 3231, 4085, 6138, 6209, 6239, 6302, 7188, 7244, 7347, 7355, 7571, 7628, 7635, 8494, and 8854_SB</li> </ul>	89Y1933	1
<p>Turkish</p> <ul style="list-style-type: none"> <li>• MT 3063:</li> <li>• MT 3285:</li> <li>• MT 4084:</li> <li>• MT 4086:</li> <li>• MT 4087:</li> <li>• MT 7358:</li> <li>• MT 7373:</li> <li>• MT 7484:</li> <li>• MT 7639:</li> <li>• MT 9728:</li> <li>• MT 9960:</li> <li>• MT 9965:</li> <li>• MT 3231, 4085, 6138, 6209, 6239, 6302, 7188, 7244, 7347, 7355, 7571, 7628, 7635, 8494, and 8854_SB</li> </ul>	89Y1938	1



Windows Vista Business 32	FRU #	CRU
Hungarian <ul style="list-style-type: none"> <li>• MT 3063:</li> <li>• MT 3285:</li> <li>• MT 4084:</li> <li>• MT 4086:</li> <li>• MT 4087:</li> <li>• MT 7358:</li> <li>• MT 7373:</li> <li>• MT 7484:</li> <li>• MT 7639:</li> <li>• MT 9728:</li> <li>• MT 9960:</li> <li>• MT 9965:</li> <li>• MT 3231, 4085, 6138, 6209, 6239, 6302, 7188, 7244, 7347, 7355, 7571, 7628, 7635, 8494, and 8854_SB</li> </ul>	89Y1923	1
Inida English <ul style="list-style-type: none"> <li>• MT 3063:</li> <li>• MT 3285:</li> <li>• MT 4084:</li> <li>• MT 4086:</li> <li>• MT 4087:</li> <li>• MT 7358:</li> <li>• MT 7373:</li> <li>• MT 7484:</li> <li>• MT 7639:</li> <li>• MT 9728:</li> <li>• MT 9960:</li> <li>• MT 9965:</li> <li>• MT 3231, 4085, 6138, 6209, 6239, 6302, 7188, 7244, 7347, 7355, 7571, 7628, 7635, 8494, and 8854_SB</li> </ul>	89Y1924	1
Greek <ul style="list-style-type: none"> <li>• MT 3063:</li> <li>• MT 3285:</li> <li>• MT 4084:</li> <li>• MT 4086:</li> <li>• MT 4087:</li> <li>• MT 7358:</li> <li>• MT 7373:</li> <li>• MT 7484:</li> <li>• MT 7639:</li> <li>• MT 9728:</li> <li>• MT 9960:</li> <li>• MT 9965:</li> </ul>	89Y1919	1

Windows Vista Business 32	FRU #	CRU
<ul style="list-style-type: none"> <li>• MT 3231, 4085, 6138, 6209, 6239, 6302, 7188, 7244, 7347, 7355, 7571, 7628, 7635, 8494, and 8854_SB</li> </ul>		
Portuguese <ul style="list-style-type: none"> <li>• MT 3063:</li> <li>• MT 3285:</li> <li>• MT 4084:</li> <li>• MT 4086:</li> <li>• MT 4087:</li> <li>• MT 7358:</li> <li>• MT 7373:</li> <li>• MT 7484:</li> <li>• MT 7639:</li> <li>• MT 9728:</li> <li>• MT 9960:</li> <li>• MT 9965:</li> <li>• MT 3231, 4085, 6138, 6209, 6239, 6302, 7188, 7244, 7347, 7355, 7571, 7628, 7635, 8494, and 8854_SB</li> </ul>	89Y1930	1
Simplified Chinese <ul style="list-style-type: none"> <li>• MT 3063:</li> <li>• MT 3285:</li> <li>• MT 4084:</li> <li>• MT 4086:</li> <li>• MT 4087:</li> <li>• MT 7358:</li> <li>• MT 7373:</li> <li>• MT 7484:</li> <li>• MT 7639:</li> <li>• MT 9728:</li> <li>• MT 9960:</li> <li>• MT 9965:</li> <li>• MT 3231, 4085, 6138, 6209, 6239, 6302, 7188, 7244, 7347, 7355, 7571, 7628, 7635, 8494, and 8854_SB</li> </ul>	89Y1915	1
Traditional Chinese <ul style="list-style-type: none"> <li>• MT 3063:</li> <li>• MT 3285:</li> <li>• MT 4084:</li> <li>• MT 4086:</li> <li>• MT 4087:</li> <li>• MT 7358:</li> <li>• MT 7373:</li> <li>• MT 7484:</li> <li>• MT 7639:</li> <li>• MT 9728:</li> </ul>	89Y1916	1

Windows Vista Business 32	FRU #	CRU
<ul style="list-style-type: none"> <li>• MT 9960:</li> <li>• MT 9965:</li> <li>• MT 3231, 4085, 6138, 6209, 6239, 6302, 7188, 7244, 7347, 7355, 7571, 7628, 7635, 8494, and 8854_SB</li> </ul>		
<p>Hong Kong</p> <ul style="list-style-type: none"> <li>• MT 3063:</li> <li>• MT 3285:</li> <li>• MT 4084:</li> <li>• MT 4086:</li> <li>• MT 4087:</li> <li>• MT 7358:</li> <li>• MT 7373:</li> <li>• MT 7484:</li> <li>• MT 7639:</li> <li>• MT 9728:</li> <li>• MT 9960:</li> <li>• MT 9965:</li> <li>• MT 3231, 4085, 6138, 6209, 6239, 6302, 7188, 7244, 7347, 7355, 7571, 7628, 7635, 8494, and 8854_SB</li> </ul>	89Y1922	1
<p>Korean</p> <ul style="list-style-type: none"> <li>• MT 3063:</li> <li>• MT 3285:</li> <li>• MT 4084:</li> <li>• MT 4086:</li> <li>• MT 4087:</li> <li>• MT 7358:</li> <li>• MT 7373:</li> <li>• MT 7484:</li> <li>• MT 7639:</li> <li>• MT 9728:</li> <li>• MT 9960:</li> <li>• MT 9965:</li> <li>• MT 3231, 4085, 6138, 6209, 6239, 6302, 7188, 7244, 7347, 7355, 7571, 7628, 7635, 8494, and 8854_SB</li> </ul>	89Y1927	1

Windows Vista Business 32	FRU #	CRU
Slovenian <ul style="list-style-type: none"> <li>• MT 3063:</li> <li>• MT 3285:</li> <li>• MT 4084:</li> <li>• MT 4086:</li> <li>• MT 4087:</li> <li>• MT 7358:</li> <li>• MT 7373:</li> <li>• MT 7484:</li> <li>• MT 7639:</li> <li>• MT 9728:</li> <li>• MT 9960:</li> <li>• MT 9965:</li> <li>• MT 3231, 4085, 6138, 6209, 6239, 6302, 7188, 7244, 7347, 7355, 7571, 7628, 7635, 8494, and 8854_SB</li> </ul>	89Y1935	1
Russian English <ul style="list-style-type: none"> <li>• MT 3063:</li> <li>• MT 3285:</li> <li>• MT 4084:</li> <li>• MT 4086:</li> <li>• MT 4087:</li> <li>• MT 7358:</li> <li>• MT 7373:</li> <li>• MT 7484:</li> <li>• MT 7639:</li> <li>• MT 9728:</li> <li>• MT 9960:</li> <li>• MT 9965:</li> <li>• MT 3231, 4085, 6138, 6209, 6239, 6302, 7188, 7244, 7347, 7355, 7571, 7628, 7635, 8494, and 8854_SB</li> </ul>	89Y1931	1
Romanian <ul style="list-style-type: none"> <li>• MT 3063:</li> <li>• MT 3285:</li> <li>• MT 4084:</li> <li>• MT 4086:</li> <li>• MT 4087:</li> <li>• MT 7358:</li> <li>• MT 7373:</li> <li>• MT 7484:</li> <li>• MT 7639:</li> <li>• MT 9728:</li> <li>• MT 9960:</li> <li>• MT 9965:</li> </ul>	89Y1932	1

Windows Vista Business 32	FRU #	CRU
<ul style="list-style-type: none"> <li>• MT 3231, 4085, 6138, 6209, 6239, 6302, 7188, 7244, 7347, 7355, 7571, 7628, 7635, 8494, and 8854_SB</li> </ul>		
Serbian-Latin <ul style="list-style-type: none"> <li>• MT 3063:</li> <li>• MT 3285:</li> <li>• MT 4084:</li> <li>• MT 4086:</li> <li>• MT 4087:</li> <li>• MT 7358:</li> <li>• MT 7373:</li> <li>• MT 7484:</li> <li>• MT 7639:</li> <li>• MT 9728:</li> <li>• MT 9960:</li> <li>• MT 9965:</li> <li>• MT 3231, 4085, 6138, 6209, 6239, 6302, 7188, 7244, 7347, 7355, 7571, 7628, 7635, 8494, and 8854_SB</li> </ul>	89Y1937	1
Vista Business 32 , Slovakian <ul style="list-style-type: none"> <li>• MT 3063:</li> <li>• MT 3285:</li> <li>• MT 4084:</li> <li>• MT 4086:</li> <li>• MT 4087:</li> <li>• MT 7358:</li> <li>• MT 7373:</li> <li>• MT 7484:</li> <li>• MT 7639:</li> <li>• MT 9728:</li> <li>• MT 9960:</li> <li>• MT 9965:</li> <li>• MT 3231, 4085, 6138, 6209, 6239, 6302, 7188, 7244, 7347, 7355, 7571, 7628, 7635, 8494, and 8854_SB</li> </ul>	89Y1934	1
Arabic Localized <ul style="list-style-type: none"> <li>• MT 3063:</li> <li>• MT 3285:</li> <li>• MT 4084:</li> <li>• MT 4086:</li> <li>• MT 4087:</li> <li>• MT 7358:</li> <li>• MT 7373:</li> <li>• MT 7484:</li> <li>• MT 7639:</li> <li>• MT 9728:</li> </ul>	89Y1913	1

Windows Vista Business 32	FRU #	CRU
<ul style="list-style-type: none"> <li>• MT 9960:</li> <li>• MT 9965:</li> <li>• MT 3231, 4085, 6138, 6209, 6239, 6302, 7188, 7244, 7347, 7355, 7571, 7628, 7635, 8494, and 8854_SB</li> </ul>		
<p>Hebrew</p> <ul style="list-style-type: none"> <li>• MT 3063:</li> <li>• MT 3285:</li> <li>• MT 4084:</li> <li>• MT 4086:</li> <li>• MT 4087:</li> <li>• MT 7358:</li> <li>• MT 7373:</li> <li>• MT 7484:</li> <li>• MT 7639:</li> <li>• MT 9728:</li> <li>• MT 9960:</li> <li>• MT 9965:</li> <li>• MT 3231, 4085, 6138, 6209, 6239, 6302, 7188, 7244, 7347, 7355, 7571, 7628, 7635, 8494, and 8854_SB</li> </ul>	89Y1921	1
<p>C&amp;L1 Nordics (EN DK FI NO SV)</p> <ul style="list-style-type: none"> <li>• MT 3063:</li> <li>• MT 3285:</li> <li>• MT 4084:</li> <li>• MT 4086:</li> <li>• MT 4087:</li> <li>• MT 7358:</li> <li>• MT 7373:</li> <li>• MT 7484:</li> <li>• MT 7639:</li> <li>• MT 9728:</li> <li>• MT 9960:</li> <li>• MT 9965:</li> <li>• MT 3231, 4085, 6138, 6209, 6239, 6302, 7188, 7244, 7347, 7355, 7571, 7628, 7635, 8494, and 8854_SB</li> </ul>	89Y1940	1

Windows Vista Business 32	FRU #	CRU
C&L2 Switzerland (EN FR GR IT) <ul style="list-style-type: none"> <li>• MT 3063:</li> <li>• MT 3285:</li> <li>• MT 4084:</li> <li>• MT 4086:</li> <li>• MT 4087:</li> <li>• MT 7358:</li> <li>• MT 7373:</li> <li>• MT 7484:</li> <li>• MT 7639:</li> <li>• MT 9728:</li> <li>• MT 9960:</li> <li>• MT 9965:</li> <li>• MT 3231, 4085, 6138, 6209, 6239, 6302, 7188, 7244, 7347, 7355, 7571, 7628, 7635, 8494, and 8854_SB</li> </ul>	89Y1942	1
C&L3 Bel Lux (EN FR GR NL) <ul style="list-style-type: none"> <li>• MT 3063:</li> <li>• MT 3285:</li> <li>• MT 4084:</li> <li>• MT 4086:</li> <li>• MT 4087:</li> <li>• MT 7358:</li> <li>• MT 7373:</li> <li>• MT 7484:</li> <li>• MT 7639:</li> <li>• MT 9728:</li> <li>• MT 9960:</li> <li>• MT 9965:</li> <li>• MT 3231, 4085, 6138, 6209, 6239, 6302, 7188, 7244, 7347, 7355, 7571, 7628, 7635, 8494, and 8854_SB</li> </ul>	89Y1941	1

## Windows Vista Business 32 SP2 with IE9 Recovery CD

**Note:** The Windows Vista recovery DVDs are available only for models with a valid Microsoft Windows Vista certificate of authenticity (COA) affixed to the system. Due to a Microsoft licensing limitation, if a model came with Windows Vista Business or Windows Vista Ultimate preinstalled from the factory, but has a Windows 7 COA affixed to the system, that model is eligible only for recovery DVDs that match the operating system specified on the COA.

Windows Vista Business 32 SP2 with IE9	FRU #	CRU
US English <ul style="list-style-type: none"> <li>• MT 3063:</li> <li>• MT 3285:</li> <li>• MT 4084:</li> <li>• MT 4086:</li> <li>• MT 4087:</li> <li>• MT 7358:</li> <li>• MT 7373:</li> <li>• MT 7484:</li> <li>• MT 7639:</li> <li>• MT 9728:</li> <li>• MT 9960:</li> <li>• MT 9965:</li> <li>• MT 3231, 4085, 6138, 6209, 6239, 6302, 7188, 7244, 7347, 7355, 7571, 7628, 7635, 8494, and 8854_SB</li> </ul>	03T2164	1
French <ul style="list-style-type: none"> <li>• MT 3063:</li> <li>• MT 3285:</li> <li>• MT 4084:</li> <li>• MT 4086:</li> <li>• MT 4087:</li> <li>• MT 7358:</li> <li>• MT 7373:</li> <li>• MT 7484:</li> <li>• MT 7639:</li> <li>• MT 9728:</li> <li>• MT 9960:</li> <li>• MT 9965:</li> <li>• MT 3231, 4085, 6138, 6209, 6239, 6302, 7188, 7244, 7347, 7355, 7571, 7628, 7635, 8494, and 8854_SB</li> </ul>	03T2144	1
German <ul style="list-style-type: none"> <li>• MT 3063:</li> <li>• MT 3285:</li> <li>• MT 4084:</li> <li>• MT 4086:</li> <li>• MT 4087:</li> <li>• MT 7358:</li> <li>• MT 7373:</li> <li>• MT 7484:</li> <li>• MT 7639:</li> <li>• MT 9728:</li> <li>• MT 9960:</li> <li>• MT 9965:</li> </ul>	03T2146	1



Windows Vista Business 32 SP2 with IE9	FRU #	CRU
<ul style="list-style-type: none"> <li>• MT 3231, 4085, 6138, 6209, 6239, 6302, 7188, 7244, 7347, 7355, 7571, 7628, 7635, 8494, and 8854_SB</li> </ul>		
Spanish <ul style="list-style-type: none"> <li>• MT 3063:</li> <li>• MT 3285:</li> <li>• MT 4084:</li> <li>• MT 4086:</li> <li>• MT 4087:</li> <li>• MT 7358:</li> <li>• MT 7373:</li> <li>• MT 7484:</li> <li>• MT 7639:</li> <li>• MT 9728:</li> <li>• MT 9960:</li> <li>• MT 9965:</li> <li>• MT 3231, 4085, 6138, 6209, 6239, 6302, 7188, 7244, 7347, 7355, 7571, 7628, 7635, 8494, and 8854_SB</li> </ul>	03T2161	1
B/P <ul style="list-style-type: none"> <li>• MT 3063:</li> <li>• MT 3285:</li> <li>• MT 4084:</li> <li>• MT 4086:</li> <li>• MT 4087:</li> <li>• MT 7358:</li> <li>• MT 7373:</li> <li>• MT 7484:</li> <li>• MT 7639:</li> <li>• MT 9728:</li> <li>• MT 9960:</li> <li>• MT 9965:</li> <li>• MT 3231, 4085, 6138, 6209, 6239, 6302, 7188, 7244, 7347, 7355, 7571, 7628, 7635, 8494, and 8854_SB</li> </ul>	03T2140	1
Italy <ul style="list-style-type: none"> <li>• MT 3063:</li> <li>• MT 3285:</li> <li>• MT 4084:</li> <li>• MT 4086:</li> <li>• MT 4087:</li> <li>• MT 7358:</li> <li>• MT 7373:</li> <li>• MT 7484:</li> <li>• MT 7639:</li> <li>• MT 9728:</li> </ul>	03T2151	1

Windows Vista Business 32 SP2 with IE9	FRU #	CRU
<ul style="list-style-type: none"> <li>• MT 9960:</li> <li>• MT 9965:</li> <li>• MT 3231, 4085, 6138, 6209, 6239, 6302, 7188, 7244, 7347, 7355, 7571, 7628, 7635, 8494, and 8854_SB</li> </ul>		
<p>Dutch</p> <ul style="list-style-type: none"> <li>• MT 3063:</li> <li>• MT 3285:</li> <li>• MT 4084:</li> <li>• MT 4086:</li> <li>• MT 4087:</li> <li>• MT 7358:</li> <li>• MT 7373:</li> <li>• MT 7484:</li> <li>• MT 7639:</li> <li>• MT 9728:</li> <li>• MT 9960:</li> <li>• MT 9965:</li> <li>• MT 3231, 4085, 6138, 6209, 6239, 6302, 7188, 7244, 7347, 7355, 7571, 7628, 7635, 8494, and 8854_SB</li> </ul>	03T2153	1
<p>Czech</p> <ul style="list-style-type: none"> <li>• MT 3063:</li> <li>• MT 3285:</li> <li>• MT 4084:</li> <li>• MT 4086:</li> <li>• MT 4087:</li> <li>• MT 7358:</li> <li>• MT 7373:</li> <li>• MT 7484:</li> <li>• MT 7639:</li> <li>• MT 9728:</li> <li>• MT 9960:</li> <li>• MT 9965:</li> <li>• MT 3231, 4085, 6138, 6209, 6239, 6302, 7188, 7244, 7347, 7355, 7571, 7628, 7635, 8494, and 8854_SB</li> </ul>	03T2143	1

Windows Vista Business 32 SP2 with IE9	FRU #	CRU
Polish <ul style="list-style-type: none"> <li>• MT 3063:</li> <li>• MT 3285:</li> <li>• MT 4084:</li> <li>• MT 4086:</li> <li>• MT 4087:</li> <li>• MT 7358:</li> <li>• MT 7373:</li> <li>• MT 7484:</li> <li>• MT 7639:</li> <li>• MT 9728:</li> <li>• MT 9960:</li> <li>• MT 9965:</li> <li>• MT 3231, 4085, 6138, 6209, 6239, 6302, 7188, 7244, 7347, 7355, 7571, 7628, 7635, 8494, and 8854_SB</li> </ul>	03T2154	1
Russian <ul style="list-style-type: none"> <li>• MT 3063:</li> <li>• MT 3285:</li> <li>• MT 4084:</li> <li>• MT 4086:</li> <li>• MT 4087:</li> <li>• MT 7358:</li> <li>• MT 7373:</li> <li>• MT 7484:</li> <li>• MT 7639:</li> <li>• MT 9728:</li> <li>• MT 9960:</li> <li>• MT 9965:</li> <li>• MT 3231, 4085, 6138, 6209, 6239, 6302, 7188, 7244, 7347, 7355, 7571, 7628, 7635, 8494, and 8854_SB</li> </ul>	03T2158	1
Turkish <ul style="list-style-type: none"> <li>• MT 3063:</li> <li>• MT 3285:</li> <li>• MT 4084:</li> <li>• MT 4086:</li> <li>• MT 4087:</li> <li>• MT 7358:</li> <li>• MT 7373:</li> <li>• MT 7484:</li> <li>• MT 7639:</li> <li>• MT 9728:</li> <li>• MT 9960:</li> <li>• MT 9965:</li> </ul>	03T2163	1

Windows Vista Business 32 SP2 with IE9	FRU #	CRU
<ul style="list-style-type: none"> <li>• MT 3231, 4085, 6138, 6209, 6239, 6302, 7188, 7244, 7347, 7355, 7571, 7628, 7635, 8494, and 8854_SB</li> </ul>		
<p>Hungarian</p> <ul style="list-style-type: none"> <li>• MT 3063:</li> <li>• MT 3285:</li> <li>• MT 4084:</li> <li>• MT 4086:</li> <li>• MT 4087:</li> <li>• MT 7358:</li> <li>• MT 7373:</li> <li>• MT 7484:</li> <li>• MT 7639:</li> <li>• MT 9728:</li> <li>• MT 9960:</li> <li>• MT 9965:</li> <li>• MT 3231, 4085, 6138, 6209, 6239, 6302, 7188, 7244, 7347, 7355, 7571, 7628, 7635, 8494, and 8854_SB</li> </ul>	03T2149	1
<p>India English</p> <ul style="list-style-type: none"> <li>• MT 3063:</li> <li>• MT 3285:</li> <li>• MT 4084:</li> <li>• MT 4086:</li> <li>• MT 4087:</li> <li>• MT 7358:</li> <li>• MT 7373:</li> <li>• MT 7484:</li> <li>• MT 7639:</li> <li>• MT 9728:</li> <li>• MT 9960:</li> <li>• MT 9965:</li> <li>• MT 3231, 4085, 6138, 6209, 6239, 6302, 7188, 7244, 7347, 7355, 7571, 7628, 7635, 8494, and 8854_SB</li> </ul>	03T2150	1
<p>Greek</p> <ul style="list-style-type: none"> <li>• MT 3063:</li> <li>• MT 3285:</li> <li>• MT 4084:</li> <li>• MT 4086:</li> <li>• MT 4087:</li> <li>• MT 7358:</li> <li>• MT 7373:</li> <li>• MT 7484:</li> <li>• MT 7639:</li> <li>• MT 9728:</li> </ul>	03T2145	1

Windows Vista Business 32 SP2 with IE9	FRU #	CRU
<ul style="list-style-type: none"> <li>• MT 9960:</li> <li>• MT 9965:</li> <li>• MT 3231, 4085, 6138, 6209, 6239, 6302, 7188, 7244, 7347, 7355, 7571, 7628, 7635, 8494, and 8854_SB</li> </ul>		
Portuguese <ul style="list-style-type: none"> <li>• MT 3063:</li> <li>• MT 3285:</li> <li>• MT 4084:</li> <li>• MT 4086:</li> <li>• MT 4087:</li> <li>• MT 7358:</li> <li>• MT 7373:</li> <li>• MT 7484:</li> <li>• MT 7639:</li> <li>• MT 9728:</li> <li>• MT 9960:</li> <li>• MT 9965:</li> <li>• MT 3231, 4085, 6138, 6209, 6239, 6302, 7188, 7244, 7347, 7355, 7571, 7628, 7635, 8494, and 8854_SB</li> </ul>	03T2155	1
Simplified Chinese <ul style="list-style-type: none"> <li>• MT 3063:</li> <li>• MT 3285:</li> <li>• MT 4084:</li> <li>• MT 4086:</li> <li>• MT 4087:</li> <li>• MT 7358:</li> <li>• MT 7373:</li> <li>• MT 7484:</li> <li>• MT 7639:</li> <li>• MT 9728:</li> <li>• MT 9960:</li> <li>• MT 9965:</li> <li>• MT 3231, 4085, 6138, 6209, 6239, 6302, 7188, 7244, 7347, 7355, 7571, 7628, 7635, 8494, and 8854_SB</li> </ul>	03T2141	1

Windows Vista Business 32 SP2 with IE9	FRU #	CRU
<p>Traditional Chinese</p> <ul style="list-style-type: none"> <li>• MT 3063:</li> <li>• MT 3285:</li> <li>• MT 4084:</li> <li>• MT 4086:</li> <li>• MT 4087:</li> <li>• MT 7358:</li> <li>• MT 7373:</li> <li>• MT 7484:</li> <li>• MT 7639:</li> <li>• MT 9728:</li> <li>• MT 9960:</li> <li>• MT 9965:</li> <li>• MT 3231, 4085, 6138, 6209, 6239, 6302, 7188, 7244, 7347, 7355, 7571, 7628, 7635, 8494, and 8854_SB</li> </ul>	03T2142	1
<p>Hong Kong</p> <ul style="list-style-type: none"> <li>• MT 3063:</li> <li>• MT 3285:</li> <li>• MT 4084:</li> <li>• MT 4086:</li> <li>• MT 4087:</li> <li>• MT 7358:</li> <li>• MT 7373:</li> <li>• MT 7484:</li> <li>• MT 7639:</li> <li>• MT 9728:</li> <li>• MT 9960:</li> <li>• MT 9965:</li> <li>• MT 3231, 4085, 6138, 6209, 6239, 6302, 7188, 7244, 7347, 7355, 7571, 7628, 7635, 8494, and 8854_SB</li> </ul>	03T2148	1
<p>Korean</p> <ul style="list-style-type: none"> <li>• MT 3063:</li> <li>• MT 3285:</li> <li>• MT 4084:</li> <li>• MT 4086:</li> <li>• MT 4087:</li> <li>• MT 7358:</li> <li>• MT 7373:</li> <li>• MT 7484:</li> <li>• MT 7639:</li> <li>• MT 9728:</li> <li>• MT 9960:</li> <li>• MT 9965:</li> </ul>	03T2152	1

Windows Vista Business 32 SP2 with IE9	FRU #	CRU
<ul style="list-style-type: none"> <li>• MT 3231, 4085, 6138, 6209, 6239, 6302, 7188, 7244, 7347, 7355, 7571, 7628, 7635, 8494, and 8854_SB</li> </ul>		
Slovenian <ul style="list-style-type: none"> <li>• MT 3063:</li> <li>• MT 3285:</li> <li>• MT 4084:</li> <li>• MT 4086:</li> <li>• MT 4087:</li> <li>• MT 7358:</li> <li>• MT 7373:</li> <li>• MT 7484:</li> <li>• MT 7639:</li> <li>• MT 9728:</li> <li>• MT 9960:</li> <li>• MT 9965:</li> <li>• MT 3231, 4085, 6138, 6209, 6239, 6302, 7188, 7244, 7347, 7355, 7571, 7628, 7635, 8494, and 8854_SB</li> </ul>	03T2160	1
Russian English <ul style="list-style-type: none"> <li>• MT 3063:</li> <li>• MT 3285:</li> <li>• MT 4084:</li> <li>• MT 4086:</li> <li>• MT 4087:</li> <li>• MT 7358:</li> <li>• MT 7373:</li> <li>• MT 7484:</li> <li>• MT 7639:</li> <li>• MT 9728:</li> <li>• MT 9960:</li> <li>• MT 9965:</li> <li>• MT 3231, 4085, 6138, 6209, 6239, 6302, 7188, 7244, 7347, 7355, 7571, 7628, 7635, 8494, and 8854_SB</li> </ul>	03T2156	1
Romanian <ul style="list-style-type: none"> <li>• MT 3063:</li> <li>• MT 3285:</li> <li>• MT 4084:</li> <li>• MT 4086:</li> <li>• MT 4087:</li> <li>• MT 7358:</li> <li>• MT 7373:</li> <li>• MT 7484:</li> <li>• MT 7639:</li> <li>• MT 9728:</li> </ul>	03T2157	1

Windows Vista Business 32 SP2 with IE9	FRU #	CRU
<ul style="list-style-type: none"> <li>• MT 9960:</li> <li>• MT 9965:</li> <li>• MT 3231, 4085, 6138, 6209, 6239, 6302, 7188, 7244, 7347, 7355, 7571, 7628, 7635, 8494, and 8854_SB</li> </ul>		
<p>Serbian-Latin</p> <ul style="list-style-type: none"> <li>• MT 3063:</li> <li>• MT 3285:</li> <li>• MT 4084:</li> <li>• MT 4086:</li> <li>• MT 4087:</li> <li>• MT 7358:</li> <li>• MT 7373:</li> <li>• MT 7484:</li> <li>• MT 7639:</li> <li>• MT 9728:</li> <li>• MT 9960:</li> <li>• MT 9965:</li> <li>• MT 3231, 4085, 6138, 6209, 6239, 6302, 7188, 7244, 7347, 7355, 7571, 7628, 7635, 8494, and 8854_SB</li> </ul>	03T2162	1
<p>Slovakian</p> <ul style="list-style-type: none"> <li>• MT 3063:</li> <li>• MT 3285:</li> <li>• MT 4084:</li> <li>• MT 4086:</li> <li>• MT 4087:</li> <li>• MT 7358:</li> <li>• MT 7373:</li> <li>• MT 7484:</li> <li>• MT 7639:</li> <li>• MT 9728:</li> <li>• MT 9960:</li> <li>• MT 9965:</li> <li>• MT 3231, 4085, 6138, 6209, 6239, 6302, 7188, 7244, 7347, 7355, 7571, 7628, 7635, 8494, and 8854_SB</li> </ul>	03T2159	1



Windows Vista Business 32 SP2 with IE9	FRU #	CRU
Arabic Localized <ul style="list-style-type: none"> <li>• MT 3063:</li> <li>• MT 3285:</li> <li>• MT 4084:</li> <li>• MT 4086:</li> <li>• MT 4087:</li> <li>• MT 7358:</li> <li>• MT 7373:</li> <li>• MT 7484:</li> <li>• MT 7639:</li> <li>• MT 9728:</li> <li>• MT 9960:</li> <li>• MT 9965:</li> <li>• MT 3231, 4085, 6138, 6209, 6239, 6302, 7188, 7244, 7347, 7355, 7571, 7628, 7635, 8494, and 8854_SB</li> </ul>	03T2139	1
Hebrew <ul style="list-style-type: none"> <li>• MT 3063:</li> <li>• MT 3285:</li> <li>• MT 4084:</li> <li>• MT 4086:</li> <li>• MT 4087:</li> <li>• MT 7358:</li> <li>• MT 7373:</li> <li>• MT 7484:</li> <li>• MT 7639:</li> <li>• MT 9728:</li> <li>• MT 9960:</li> <li>• MT 9965:</li> <li>• MT 3231, 4085, 6138, 6209, 6239, 6302, 7188, 7244, 7347, 7355, 7571, 7628, 7635, 8494, and 8854_SB</li> </ul>	03T2147	1
C&L1 Nordics (EN DK FI NO SV) <ul style="list-style-type: none"> <li>• MT 3063:</li> <li>• MT 3285:</li> <li>• MT 4084:</li> <li>• MT 4086:</li> <li>• MT 4087:</li> <li>• MT 7358:</li> <li>• MT 7373:</li> <li>• MT 7484:</li> <li>• MT 7639:</li> <li>• MT 9728:</li> <li>• MT 9960:</li> <li>• MT 9965:</li> </ul>	03T2165	1

Windows Vista Business 32 SP2 with IE9	FRU #	CRU
<ul style="list-style-type: none"> <li>• MT 3231, 4085, 6138, 6209, 6239, 6302, 7188, 7244, 7347, 7355, 7571, 7628, 7635, 8494, and 8854_SB</li> </ul>		
<p>C&amp;L2 Switzerland (EN FR GR IT)</p> <ul style="list-style-type: none"> <li>• MT 3063:</li> <li>• MT 3285:</li> <li>• MT 4084:</li> <li>• MT 4086:</li> <li>• MT 4087:</li> <li>• MT 7358:</li> <li>• MT 7373:</li> <li>• MT 7484:</li> <li>• MT 7639:</li> <li>• MT 9728:</li> <li>• MT 9960:</li> <li>• MT 9965:</li> <li>• MT 3231, 4085, 6138, 6209, 6239, 6302, 7188, 7244, 7347, 7355, 7571, 7628, 7635, 8494, and 8854_SB</li> </ul>	03T2167	1
<p>C&amp;L3 Bel Lux (EN FR GR NL)</p> <ul style="list-style-type: none"> <li>• MT 3063:</li> <li>• MT 3285:</li> <li>• MT 4084:</li> <li>• MT 4086:</li> <li>• MT 4087:</li> <li>• MT 7358:</li> <li>• MT 7373:</li> <li>• MT 7484:</li> <li>• MT 7639:</li> <li>• MT 9728:</li> <li>• MT 9960:</li> <li>• MT 9965:</li> <li>• MT 3231, 4085, 6138, 6209, 6239, 6302, 7188, 7244, 7347, 7355, 7571, 7628, 7635, 8494, and 8854_SB</li> </ul>	03T2166	1
<p>Japanese</p> <ul style="list-style-type: none"> <li>• MT 3063:</li> <li>• MT 3285:</li> <li>• MT 4084:</li> <li>• MT 4086:</li> <li>• MT 4087:</li> <li>• MT 7358:</li> <li>• MT 7373:</li> <li>• MT 7484:</li> <li>• MT 7639:</li> <li>• MT 9728:</li> </ul>	03T2169	1

Windows Vista Business 32 SP2 with IE9	FRU #	CRU
<ul style="list-style-type: none"> <li>• MT 9960:</li> <li>• MT 9965:</li> <li>• MT 3231, 4085, 6138, 6209, 6239, 6302, 7188, 7244, 7347, 7355, 7571, 7628, 7635, 8494, and 8854_SB</li> </ul>		

## Windows Vista Business 64 Recovery CD

**Note:** The Windows Vista recovery DVDs are available only for models with a valid Microsoft Windows Vista certificate of authenticity (COA) affixed to the system. Due to a Microsoft licensing limitation, if a model came with Windows Vista Business or Windows Vista Ultimate preinstalled from the factory, but has a Windows 7 COA affixed to the system, that model is eligible only for recovery DVDs that match the operating system specified on the COA.

Windows Vista Business 64	FRU #	CRU
Russian English <ul style="list-style-type: none"> <li>• MT 3063:</li> <li>• MT 3285:</li> <li>• MT 4084:</li> <li>• MT 4086:</li> <li>• MT 4087:</li> <li>• MT 7358:</li> <li>• MT 7373:</li> <li>• MT 7484:</li> <li>• MT 7639:</li> <li>• MT 9728:</li> <li>• MT 9960:</li> <li>• MT 9965:</li> <li>• MT 3231, 4085, 6138, 6209, 6239, 6302, 7188, 7244, 7347, 7355, 7571, 7628, 7635, 8494, and 8854_SB</li> </ul>	53Y7250	1
Russian French <ul style="list-style-type: none"> <li>• MT 3063:</li> <li>• MT 3285:</li> <li>• MT 4084:</li> <li>• MT 4086:</li> <li>• MT 4087:</li> <li>• MT 7358:</li> <li>• MT 7373:</li> <li>• MT 7484:</li> <li>• MT 7639:</li> <li>• MT 9728:</li> <li>• MT 9960:</li> <li>• MT 9965:</li> <li>• MT 3231, 4085, 6138, 6209, 6239, 6302, 7188, 7244, 7347, 7355, 7571, 7628, 7635, 8494, and 8854_SB</li> </ul>	53Y7251	1

Windows Vista Business 64	FRU #	CRU
German <ul style="list-style-type: none"> <li>• MT 3063:</li> <li>• MT 3285:</li> <li>• MT 4084:</li> <li>• MT 4086:</li> <li>• MT 4087:</li> <li>• MT 7358:</li> <li>• MT 7373:</li> <li>• MT 7484:</li> <li>• MT 7639:</li> <li>• MT 9728:</li> <li>• MT 9960:</li> <li>• MT 9965:</li> <li>• MT 3231, 4085, 6138, 6209, 6239, 6302, 7188, 7244, 7347, 7355, 7571, 7628, 7635, 8494, and 8854_SB</li> </ul>	53Y7252	1
Japanese <ul style="list-style-type: none"> <li>• MT 3063:</li> <li>• MT 3285:</li> <li>• MT 4084:</li> <li>• MT 4086:</li> <li>• MT 4087:</li> <li>• MT 7358:</li> <li>• MT 7373:</li> <li>• MT 7484:</li> <li>• MT 7639:</li> <li>• MT 9728:</li> <li>• MT 9960:</li> <li>• MT 9965:</li> <li>• MT 3231, 4085, 6138, 6209, 6239, 6302, 7188, 7244, 7347, 7355, 7571, 7628, 7635, 8494, and 8854_SB</li> </ul>	64Y6262	1
Simplified Chinese <ul style="list-style-type: none"> <li>• MT 3063:</li> <li>• MT 3285:</li> <li>• MT 4084:</li> <li>• MT 4086:</li> <li>• MT 4087:</li> <li>• MT 7358:</li> <li>• MT 7373:</li> <li>• MT 7484:</li> <li>• MT 7639:</li> <li>• MT 9728:</li> <li>• MT 9960:</li> <li>• MT 9965:</li> </ul>	53Y7254	1

Windows Vista Business 64	FRU #	CRU
<ul style="list-style-type: none"> <li>• MT 3231, 4085, 6138, 6209, 6239, 6302, 7188, 7244, 7347, 7355, 7571, 7628, 7635, 8494, and 8854_SB</li> </ul>		
Brazil Portuguese <ul style="list-style-type: none"> <li>• MT 3063:</li> <li>• MT 3285:</li> <li>• MT 4084:</li> <li>• MT 4086:</li> <li>• MT 4087:</li> <li>• MT 7358:</li> <li>• MT 7373:</li> <li>• MT 7484:</li> <li>• MT 7639:</li> <li>• MT 9728:</li> <li>• MT 9960:</li> <li>• MT 9965:</li> <li>• MT 3231, 4085, 6138, 6209, 6239, 6302, 7188, 7244, 7347, 7355, 7571, 7628, 7635, 8494, and 8854_SB</li> </ul>	71Y7954	1
Spanish <ul style="list-style-type: none"> <li>• MT 3063:</li> <li>• MT 3285:</li> <li>• MT 4084:</li> <li>• MT 4086:</li> <li>• MT 4087:</li> <li>• MT 7358:</li> <li>• MT 7373:</li> <li>• MT 7484:</li> <li>• MT 7639:</li> <li>• MT 9728:</li> <li>• MT 9960:</li> <li>• MT 9965:</li> <li>• MT 3231, 4085, 6138, 6209, 6239, 6302, 7188, 7244, 7347, 7355, 7571, 7628, 7635, 8494, and 8854_SB</li> </ul>	71Y9870	1
India English <ul style="list-style-type: none"> <li>• MT 3063:</li> <li>• MT 3285:</li> <li>• MT 4084:</li> <li>• MT 4086:</li> <li>• MT 4087:</li> <li>• MT 7358:</li> <li>• MT 7373:</li> <li>• MT 7484:</li> <li>• MT 7639:</li> <li>• MT 9728:</li> </ul>	71Y9962	1

Windows Vista Business 64	FRU #	CRU
<ul style="list-style-type: none"> <li>• MT 9960:</li> <li>• MT 9965:</li> <li>• MT 3231, 4085, 6138, 6209, 6239, 6302, 7188, 7244, 7347, 7355, 7571, 7628, 7635, 8494, and 8854_SB</li> </ul>		

## Windows 7 Home Basic 32 Recovery CD

Windows 7 Home Basic 32	FRU #	CRU
English <ul style="list-style-type: none"> <li>• MT 3063:</li> <li>• MT 3285:</li> <li>• MT 4084:</li> <li>• MT 4084:</li> <li>• MT 4086:</li> <li>• MT 4086:</li> <li>• MT 4087:</li> <li>• MT 4087:</li> <li>• MT 7358:</li> <li>• MT 7358:</li> <li>• MT 7373:</li> <li>• MT 7484:</li> <li>• MT 7639:</li> <li>• MT 9728:</li> <li>• MT 9960:</li> <li>• MT 9965:</li> <li>• MT 3231, 4085, 6138, 6209, 6239, 6302, 7188, 7244, 7347, 7355, 7571, 7628, 7635, 8494, and 8854_SB</li> </ul>	71Y8340	1
Spanish <ul style="list-style-type: none"> <li>• MT 3063:</li> <li>• MT 3285:</li> <li>• MT 4084:</li> <li>• MT 4086:</li> <li>• MT 4087:</li> <li>• MT 7358:</li> <li>• MT 7373:</li> <li>• MT 7484:</li> <li>• MT 7639:</li> <li>• MT 9728:</li> <li>• MT 9960:</li> <li>• MT 9965:</li> <li>• MT 3231, 4085, 6138, 6209, 6239, 6302, 7188, 7244, 7347, 7355, 7571, 7628, 7635, 8494, and 8854_SB</li> </ul>	71Y8337	1

Windows 7 Home Basic 32	FRU #	CRU
Russian <ul style="list-style-type: none"> <li>• MT 3063:</li> <li>• MT 3285:</li> <li>• MT 4084:</li> <li>• MT 4086:</li> <li>• MT 4087:</li> <li>• MT 7358:</li> <li>• MT 7373:</li> <li>• MT 7484:</li> <li>• MT 7639:</li> <li>• MT 9728:</li> <li>• MT 9960:</li> <li>• MT 9965:</li> <li>• MT 3231, 4085, 6138, 6209, 6239, 6302, 7188, 7244, 7347, 7355, 7571, 7628, 7635, 8494, and 8854_SB</li> </ul>	71Y8336	1
Turkish <ul style="list-style-type: none"> <li>• MT 3063:</li> <li>• MT 3285:</li> <li>• MT 4084:</li> <li>• MT 4086:</li> <li>• MT 4087:</li> <li>• MT 7358:</li> <li>• MT 7373:</li> <li>• MT 7484:</li> <li>• MT 7639:</li> <li>• MT 9728:</li> <li>• MT 9960:</li> <li>• MT 9965:</li> <li>• MT 3231, 4085, 6138, 6209, 6239, 6302, 7188, 7244, 7347, 7355, 7571, 7628, 7635, 8494, and 8854_SB</li> </ul>	71Y8339	1
Russian English <ul style="list-style-type: none"> <li>• MT 3063:</li> <li>• MT 3285:</li> <li>• MT 4084:</li> <li>• MT 4086:</li> <li>• MT 4087:</li> <li>• MT 7358:</li> <li>• MT 7373:</li> <li>• MT 7484:</li> <li>• MT 7639:</li> <li>• MT 9728:</li> <li>• MT 9960:</li> <li>• MT 9965:</li> </ul>	71Y8335	1

Windows 7 Home Basic 32	FRU #	CRU
<ul style="list-style-type: none"> <li>• MT 3231, 4085, 6138, 6209, 6239, 6302, 7188, 7244, 7347, 7355, 7571, 7628, 7635, 8494, and 8854_SB</li> </ul>		
Serbian-Latin <ul style="list-style-type: none"> <li>• MT 3063:</li> <li>• MT 3285:</li> <li>• MT 4084:</li> <li>• MT 4086:</li> <li>• MT 4087:</li> <li>• MT 7358:</li> <li>• MT 7373:</li> <li>• MT 7484:</li> <li>• MT 7639:</li> <li>• MT 9728:</li> <li>• MT 9960:</li> <li>• MT 9965:</li> <li>• MT 3231, 4085, 6138, 6209, 6239, 6302, 7188, 7244, 7347, 7355, 7571, 7628, 7635, 8494, and 8854_SB</li> </ul>	71Y8338	1
Arabic Localized <ul style="list-style-type: none"> <li>• MT 3063:</li> <li>• MT 3285:</li> <li>• MT 4084:</li> <li>• MT 4086:</li> <li>• MT 4087:</li> <li>• MT 7358:</li> <li>• MT 7373:</li> <li>• MT 7484:</li> <li>• MT 7639:</li> <li>• MT 9728:</li> <li>• MT 9960:</li> <li>• MT 9965:</li> <li>• MT 3231, 4085, 6138, 6209, 6239, 6302, 7188, 7244, 7347, 7355, 7571, 7628, 7635, 8494, and 8854_SB</li> </ul>	71Y8332	1
Brazilian Portuguese <ul style="list-style-type: none"> <li>• MT 3063:</li> <li>• MT 3285:</li> <li>• MT 4084:</li> <li>• MT 4086:</li> <li>• MT 4087:</li> <li>• MT 7358:</li> <li>• MT 7373:</li> <li>• MT 7484:</li> <li>• MT 7639:</li> <li>• MT 9728:</li> </ul>	71Y8333	1



Windows 7 Home Basic 32	FRU #	CRU
<ul style="list-style-type: none"> <li>• MT 9960:</li> <li>• MT 9965:</li> <li>• MT 3231, 4085, 6138, 6209, 6239, 6302, 7188, 7244, 7347, 7355, 7571, 7628, 7635, 8494, and 8854_SB</li> </ul>		
Simplified Chinese <ul style="list-style-type: none"> <li>• MT 3063:</li> <li>• MT 3285:</li> <li>• MT 4084:</li> <li>• MT 4086:</li> <li>• MT 4087:</li> <li>• MT 7358:</li> <li>• MT 7373:</li> <li>• MT 7484:</li> <li>• MT 7639:</li> <li>• MT 9728:</li> <li>• MT 9960:</li> <li>• MT 9965:</li> <li>• MT 3231, 4085, 6138, 6209, 6239, 6302, 7188, 7244, 7347, 7355, 7571, 7628, 7635, 8494, and 8854_SB</li> </ul>	71Y8334	1
India English <ul style="list-style-type: none"> <li>• MT 3063:</li> <li>• MT 3285:</li> <li>• MT 4084:</li> <li>• MT 4086:</li> <li>• MT 4087:</li> <li>• MT 7358:</li> <li>• MT 7373:</li> <li>• MT 7484:</li> <li>• MT 7639:</li> <li>• MT 9728:</li> <li>• MT 9960:</li> <li>• MT 9965:</li> <li>• MT 3231, 4085, 6138, 6209, 6239, 6302, 7188, 7244, 7347, 7355, 7571, 7628, 7635, 8494, and 8854_SB</li> </ul>	71Y8650	1

## Windows 7 Home Basic 32 SP1 Recovery CD

Windows 7 Home Basic 32 SP1	FRU #	CRU
English <ul style="list-style-type: none"> <li>• MT 3063:</li> <li>• MT 3285:</li> <li>• MT 4084:</li> <li>• MT 4086:</li> <li>• MT 4087:</li> <li>• MT 7358:</li> <li>• MT 7373:</li> <li>• MT 7484:</li> <li>• MT 7639:</li> <li>• MT 9728:</li> <li>• MT 9960:</li> <li>• MT 9965:</li> <li>• MT 3231, 4085, 6138, 6209, 6239, 6302, 7188, 7244, 7347, 7355, 7571, 7628, 7635, 8494, and 8854_SB</li> </ul>	03T1805	1
Spanish <ul style="list-style-type: none"> <li>• MT 3063:</li> <li>• MT 3285:</li> <li>• MT 4084:</li> <li>• MT 4086:</li> <li>• MT 4087:</li> <li>• MT 7358:</li> <li>• MT 7373:</li> <li>• MT 7484:</li> <li>• MT 7639:</li> <li>• MT 9728:</li> <li>• MT 9960:</li> <li>• MT 9965:</li> <li>• MT 3231, 4085, 6138, 6209, 6239, 6302, 7188, 7244, 7347, 7355, 7571, 7628, 7635, 8494, and 8854_SB</li> </ul>	03T1802	1
Russian <ul style="list-style-type: none"> <li>• MT 3063:</li> <li>• MT 3285:</li> <li>• MT 4084:</li> <li>• MT 4086:</li> <li>• MT 4087:</li> <li>• MT 7358:</li> <li>• MT 7373:</li> <li>• MT 7484:</li> <li>• MT 7639:</li> <li>• MT 9728:</li> <li>• MT 9960:</li> </ul>	03T1801	1

Windows 7 Home Basic 32 SP1	FRU #	CRU
<ul style="list-style-type: none"> <li>• MT 9965:</li> <li>• MT 3231, 4085, 6138, 6209, 6239, 6302, 7188, 7244, 7347, 7355, 7571, 7628, 7635, 8494, and 8854_SB</li> </ul>		
<p>Turkish</p> <ul style="list-style-type: none"> <li>• MT 3063:</li> <li>• MT 3285:</li> <li>• MT 4084:</li> <li>• MT 4086:</li> <li>• MT 4087:</li> <li>• MT 7358:</li> <li>• MT 7373:</li> <li>• MT 7484:</li> <li>• MT 7639:</li> <li>• MT 9728:</li> <li>• MT 9960:</li> <li>• MT 9965:</li> <li>• MT 3231, 4085, 6138, 6209, 6239, 6302, 7188, 7244, 7347, 7355, 7571, 7628, 7635, 8494, and 8854_SB</li> </ul>	03T1804	1
<p>Russian English</p> <ul style="list-style-type: none"> <li>• MT 3063:</li> <li>• MT 3285:</li> <li>• MT 4084:</li> <li>• MT 4086:</li> <li>• MT 4087:</li> <li>• MT 7358:</li> <li>• MT 7373:</li> <li>• MT 7484:</li> <li>• MT 7639:</li> <li>• MT 9728:</li> <li>• MT 9960:</li> <li>• MT 9965:</li> <li>• MT 3231, 4085, 6138, 6209, 6239, 6302, 7188, 7244, 7347, 7355, 7571, 7628, 7635, 8494, and 8854_SB</li> </ul>	03T1800	1
<p>Serbian-Latin</p> <ul style="list-style-type: none"> <li>• MT 3063:</li> <li>• MT 3285:</li> <li>• MT 4084:</li> <li>• MT 4086:</li> <li>• MT 4087:</li> <li>• MT 7358:</li> <li>• MT 7373:</li> <li>• MT 7484:</li> <li>• MT 7639:</li> </ul>	03T1803	1

Windows 7 Home Basic 32 SP1	FRU #	CRU
<ul style="list-style-type: none"> <li>• MT 9728:</li> <li>• MT 9960:</li> <li>• MT 9965:</li> <li>• MT 3231, 4085, 6138, 6209, 6239, 6302, 7188, 7244, 7347, 7355, 7571, 7628, 7635, 8494, and 8854_SB</li> </ul>		
<p>Arabic Localized</p> <ul style="list-style-type: none"> <li>• MT 3063:</li> <li>• MT 3285:</li> <li>• MT 4084:</li> <li>• MT 4086:</li> <li>• MT 4087:</li> <li>• MT 7358:</li> <li>• MT 7373:</li> <li>• MT 7484:</li> <li>• MT 7639:</li> <li>• MT 9728:</li> <li>• MT 9960:</li> <li>• MT 9965:</li> <li>• MT 3231, 4085, 6138, 6209, 6239, 6302, 7188, 7244, 7347, 7355, 7571, 7628, 7635, 8494, and 8854_SB</li> </ul>	03T1796	1
<p>Brazilian Portuguese</p> <ul style="list-style-type: none"> <li>• MT 3063:</li> <li>• MT 3285:</li> <li>• MT 4084:</li> <li>• MT 4086:</li> <li>• MT 4087:</li> <li>• MT 7358:</li> <li>• MT 7373:</li> <li>• MT 7484:</li> <li>• MT 7639:</li> <li>• MT 9728:</li> <li>• MT 9960:</li> <li>• MT 9965:</li> <li>• MT 3231, 4085, 6138, 6209, 6239, 6302, 7188, 7244, 7347, 7355, 7571, 7628, 7635, 8494, and 8854_SB</li> </ul>	03T1797	1

Windows 7 Home Basic 32 SP1	FRU #	CRU
Simplified Chinese <ul style="list-style-type: none"> <li>• MT 3063:</li> <li>• MT 3285:</li> <li>• MT 4084:</li> <li>• MT 4086:</li> <li>• MT 4087:</li> <li>• MT 7358:</li> <li>• MT 7373:</li> <li>• MT 7484:</li> <li>• MT 7639:</li> <li>• MT 9728:</li> <li>• MT 9960:</li> <li>• MT 9965:</li> <li>• MT 3231, 4085, 6138, 6209, 6239, 6302, 7188, 7244, 7347, 7355, 7571, 7628, 7635, 8494, and 8854_SB</li> </ul>	03T1798	1
India English <ul style="list-style-type: none"> <li>• MT 3063:</li> <li>• MT 3285:</li> <li>• MT 4084:</li> <li>• MT 4086:</li> <li>• MT 4087:</li> <li>• MT 7358:</li> <li>• MT 7373:</li> <li>• MT 7484:</li> <li>• MT 7639:</li> <li>• MT 9728:</li> <li>• MT 9960:</li> <li>• MT 9965:</li> <li>• MT 3231, 4085, 6138, 6209, 6239, 6302, 7188, 7244, 7347, 7355, 7571, 7628, 7635, 8494, and 8854_SB</li> </ul>	03T1799	1

## Windows 7 Home Premium 32 Recovery CD

Windows 7 Home Premium 32	FRU #	CRU
English <ul style="list-style-type: none"> <li>• MT 3063:</li> <li>• MT 3285:</li> <li>• MT 4084:</li> <li>• MT 4086:</li> <li>• MT 4087:</li> <li>• MT 7358:</li> <li>• MT 7373:</li> <li>• MT 7484:</li> </ul>	71Y8353	1

Windows 7 Home Premium 32	FRU #	CRU
<ul style="list-style-type: none"> <li>• MT 7639:</li> <li>• MT 9728:</li> <li>• MT 9960:</li> <li>• MT 9965:</li> <li>• MT 3231, 4085, 6138, 6209, 6239, 6302, 7188, 7244, 7347, 7355, 7571, 7628, 7635, 8494, and 8854_SB</li> </ul>		
<p>French</p> <ul style="list-style-type: none"> <li>• MT 3063:</li> <li>• MT 3285:</li> <li>• MT 4084:</li> <li>• MT 4086:</li> <li>• MT 4087:</li> <li>• MT 7358:</li> <li>• MT 7373:</li> <li>• MT 7484:</li> <li>• MT 7639:</li> <li>• MT 9728:</li> <li>• MT 9960:</li> <li>• MT 9965:</li> <li>• MT 3231, 4085, 6138, 6209, 6239, 6302, 7188, 7244, 7347, 7355, 7571, 7628, 7635, 8494, and 8854_SB</li> </ul>	71Y8344	1
<p>German</p> <ul style="list-style-type: none"> <li>• MT 3063:</li> <li>• MT 3285:</li> <li>• MT 4084:</li> <li>• MT 4086:</li> <li>• MT 4087:</li> <li>• MT 7358:</li> <li>• MT 7373:</li> <li>• MT 7484:</li> <li>• MT 7639:</li> <li>• MT 9728:</li> <li>• MT 9960:</li> <li>• MT 9965:</li> <li>• MT 3231, 4085, 6138, 6209, 6239, 6302, 7188, 7244, 7347, 7355, 7571, 7628, 7635, 8494, and 8854_SB</li> </ul>	71Y8345	1

Windows 7 Home Premium 32	FRU #	CRU
Spanish <ul style="list-style-type: none"> <li>• MT 3063:</li> <li>• MT 3285:</li> <li>• MT 4084:</li> <li>• MT 4086:</li> <li>• MT 4087:</li> <li>• MT 7358:</li> <li>• MT 7373:</li> <li>• MT 7484:</li> <li>• MT 7639:</li> <li>• MT 9728:</li> <li>• MT 9960:</li> <li>• MT 9965:</li> <li>• MT 3231, 4085, 6138, 6209, 6239, 6302, 7188, 7244, 7347, 7355, 7571, 7628, 7635, 8494, and 8854_SB</li> </ul>	71Y8352	1
Italian <ul style="list-style-type: none"> <li>• MT 3063:</li> <li>• MT 3285:</li> <li>• MT 4084:</li> <li>• MT 4086:</li> <li>• MT 4087:</li> <li>• MT 7358:</li> <li>• MT 7373:</li> <li>• MT 7484:</li> <li>• MT 7639:</li> <li>• MT 9728:</li> <li>• MT 9960:</li> <li>• MT 9965:</li> <li>• MT 3231, 4085, 6138, 6209, 6239, 6302, 7188, 7244, 7347, 7355, 7571, 7628, 7635, 8494, and 8854_SB</li> </ul>	71Y8348	1
Korean <ul style="list-style-type: none"> <li>• MT 3063:</li> <li>• MT 3285:</li> <li>• MT 4084:</li> <li>• MT 4086:</li> <li>• MT 4087:</li> <li>• MT 7358:</li> <li>• MT 7373:</li> <li>• MT 7484:</li> <li>• MT 7639:</li> <li>• MT 9728:</li> <li>• MT 9960:</li> <li>• MT 9965:</li> </ul>	71Y8350	1

Windows 7 Home Premium 32	FRU #	CRU
<ul style="list-style-type: none"> <li>• MT 3231, 4085, 6138, 6209, 6239, 6302, 7188, 7244, 7347, 7355, 7571, 7628, 7635, 8494, and 8854_SB</li> </ul>		
<p>Hong Kong</p> <ul style="list-style-type: none"> <li>• MT 3063:</li> <li>• MT 3285:</li> <li>• MT 4084:</li> <li>• MT 4086:</li> <li>• MT 4087:</li> <li>• MT 7358:</li> <li>• MT 7373:</li> <li>• MT 7484:</li> <li>• MT 7639:</li> <li>• MT 9728:</li> <li>• MT 9960:</li> <li>• MT 9965:</li> <li>• MT 3231, 4085, 6138, 6209, 6239, 6302, 7188, 7244, 7347, 7355, 7571, 7628, 7635, 8494, and 8854_SB</li> </ul>	71Y8347	1
<p>Romanian</p> <ul style="list-style-type: none"> <li>• MT 3063:</li> <li>• MT 3285:</li> <li>• MT 4084:</li> <li>• MT 4086:</li> <li>• MT 4087:</li> <li>• MT 7358:</li> <li>• MT 7373:</li> <li>• MT 7484:</li> <li>• MT 7639:</li> <li>• MT 9728:</li> <li>• MT 9960:</li> <li>• MT 9965:</li> <li>• MT 3231, 4085, 6138, 6209, 6239, 6302, 7188, 7244, 7347, 7355, 7571, 7628, 7635, 8494, and 8854_SB</li> </ul>	71Y8351	1
<p>Japan</p> <ul style="list-style-type: none"> <li>• MT 3063:</li> <li>• MT 3285:</li> <li>• MT 4084:</li> <li>• MT 4086:</li> <li>• MT 4087:</li> <li>• MT 7358:</li> <li>• MT 7373:</li> <li>• MT 7484:</li> <li>• MT 7639:</li> <li>• MT 9728:</li> </ul>	71Y8349	1



Windows 7 Home Premium 32	FRU #	CRU
<ul style="list-style-type: none"> <li>• MT 9960:</li> <li>• MT 9965:</li> <li>• MT 3231, 4085, 6138, 6209, 6239, 6302, 7188, 7244, 7347, 7355, 7571, 7628, 7635, 8494, and 8854_SB</li> </ul>		
Hebrew <ul style="list-style-type: none"> <li>• MT 3063:</li> <li>• MT 3285:</li> <li>• MT 4084:</li> <li>• MT 4086:</li> <li>• MT 4087:</li> <li>• MT 7358:</li> <li>• MT 7373:</li> <li>• MT 7484:</li> <li>• MT 7639:</li> <li>• MT 9728:</li> <li>• MT 9960:</li> <li>• MT 9965:</li> <li>• MT 3231, 4085, 6138, 6209, 6239, 6302, 7188, 7244, 7347, 7355, 7571, 7628, 7635, 8494, and 8854_SB</li> </ul>	71Y8346	1
Brazilian Portuguese <ul style="list-style-type: none"> <li>• MT 3063:</li> <li>• MT 3285:</li> <li>• MT 4084:</li> <li>• MT 4086:</li> <li>• MT 4087:</li> <li>• MT 7358:</li> <li>• MT 7373:</li> <li>• MT 7484:</li> <li>• MT 7639:</li> <li>• MT 9728:</li> <li>• MT 9960:</li> <li>• MT 9965:</li> <li>• MT 3231, 4085, 6138, 6209, 6239, 6302, 7188, 7244, 7347, 7355, 7571, 7628, 7635, 8494, and 8854_SB</li> </ul>	71Y8341	1

Windows 7 Home Premium 32	FRU #	CRU
Simplified Chinese <ul style="list-style-type: none"> <li>• MT 3063:</li> <li>• MT 3285:</li> <li>• MT 4084:</li> <li>• MT 4086:</li> <li>• MT 4087:</li> <li>• MT 7358:</li> <li>• MT 7373:</li> <li>• MT 7484:</li> <li>• MT 7639:</li> <li>• MT 9728:</li> <li>• MT 9960:</li> <li>• MT 9965:</li> <li>• MT 3231, 4085, 6138, 6209, 6239, 6302, 7188, 7244, 7347, 7355, 7571, 7628, 7635, 8494, and 8854_SB</li> </ul>	71Y8342	1
Traditional Chinese <ul style="list-style-type: none"> <li>• MT 3063:</li> <li>• MT 3285:</li> <li>• MT 4084:</li> <li>• MT 4086:</li> <li>• MT 4087:</li> <li>• MT 7358:</li> <li>• MT 7373:</li> <li>• MT 7484:</li> <li>• MT 7639:</li> <li>• MT 9728:</li> <li>• MT 9960:</li> <li>• MT 9965:</li> <li>• MT 3231, 4085, 6138, 6209, 6239, 6302, 7188, 7244, 7347, 7355, 7571, 7628, 7635, 8494, and 8854_SB</li> </ul>	71Y8343	1
C&L Bel Lux (EN FR GR NL) <ul style="list-style-type: none"> <li>• MT 3063:</li> <li>• MT 3285:</li> <li>• MT 4084:</li> <li>• MT 4086:</li> <li>• MT 4087:</li> <li>• MT 7358:</li> <li>• MT 7373:</li> <li>• MT 7484:</li> <li>• MT 7639:</li> <li>• MT 9728:</li> <li>• MT 9960:</li> <li>• MT 9965:</li> </ul>	71Y8354	1

Windows 7 Home Premium 32	FRU #	CRU
<ul style="list-style-type: none"> <li>• MT 3231, 4085, 6138, 6209, 6239, 6302, 7188, 7244, 7347, 7355, 7571, 7628, 7635, 8494, and 8854_SB</li> </ul>		
<p>C&amp;L Nordics (EN DK FI NO SV)</p> <ul style="list-style-type: none"> <li>• MT 3063:</li> <li>• MT 3285:</li> <li>• MT 4084:</li> <li>• MT 4086:</li> <li>• MT 4087:</li> <li>• MT 7358:</li> <li>• MT 7373:</li> <li>• MT 7484:</li> <li>• MT 7639:</li> <li>• MT 9728:</li> <li>• MT 9960:</li> <li>• MT 9965:</li> <li>• MT 3231, 4085, 6138, 6209, 6239, 6302, 7188, 7244, 7347, 7355, 7571, 7628, 7635, 8494, and 8854_SB</li> </ul>	71Y8355	1
<p>C&amp;L Switzerland (EN FR GR IT)</p> <ul style="list-style-type: none"> <li>• MT 3063:</li> <li>• MT 3285:</li> <li>• MT 4084:</li> <li>• MT 4086:</li> <li>• MT 4087:</li> <li>• MT 7358:</li> <li>• MT 7373:</li> <li>• MT 7484:</li> <li>• MT 7639:</li> <li>• MT 9728:</li> <li>• MT 9960:</li> <li>• MT 9965:</li> <li>• MT 3231, 4085, 6138, 6209, 6239, 6302, 7188, 7244, 7347, 7355, 7571, 7628, 7635, 8494, and 8854_SB</li> </ul>	71Y8356	1
<p>India English</p> <ul style="list-style-type: none"> <li>• MT 3063:</li> <li>• MT 3285:</li> <li>• MT 4084:</li> <li>• MT 4086:</li> <li>• MT 4087:</li> <li>• MT 7358:</li> <li>• MT 7373:</li> <li>• MT 7484:</li> <li>• MT 7639:</li> <li>• MT 9728:</li> </ul>	71Y8651	1

Windows 7 Home Premium 32	FRU #	CRU
<ul style="list-style-type: none"> <li>• MT 9960:</li> <li>• MT 9965:</li> <li>• MT 3231, 4085, 6138, 6209, 6239, 6302, 7188, 7244, 7347, 7355, 7571, 7628, 7635, 8494, and 8854_SB</li> </ul>		

### Windows 7 Home Premium 32 SP1 Recovery CD

Windows 7 Home Premium 32 SP1	FRU #	CRU
English <ul style="list-style-type: none"> <li>• MT 3063:</li> <li>• MT 3285:</li> <li>• MT 4084:</li> <li>• MT 4086:</li> <li>• MT 4087:</li> <li>• MT 7358:</li> <li>• MT 7373:</li> <li>• MT 7484:</li> <li>• MT 7639:</li> <li>• MT 9728:</li> <li>• MT 9960:</li> <li>• MT 9965:</li> <li>• MT 3231, 4085, 6138, 6209, 6239, 6302, 7188, 7244, 7347, 7355, 7571, 7628, 7635, 8494, and 8854_SB</li> </ul>	03T1819	1
French <ul style="list-style-type: none"> <li>• MT 3063:</li> <li>• MT 3285:</li> <li>• MT 4084:</li> <li>• MT 4086:</li> <li>• MT 4087:</li> <li>• MT 7358:</li> <li>• MT 7373:</li> <li>• MT 7484:</li> <li>• MT 7639:</li> <li>• MT 9728:</li> <li>• MT 9960:</li> <li>• MT 9965:</li> <li>• MT 3231, 4085, 6138, 6209, 6239, 6302, 7188, 7244, 7347, 7355, 7571, 7628, 7635, 8494, and 8854_SB</li> </ul>	03T1810	1

Windows 7 Home Premium 32 SP1	FRU #	CRU
German <ul style="list-style-type: none"> <li>• MT 3063:</li> <li>• MT 3285:</li> <li>• MT 4084:</li> <li>• MT 4086:</li> <li>• MT 4087:</li> <li>• MT 7358:</li> <li>• MT 7373:</li> <li>• MT 7484:</li> <li>• MT 7639:</li> <li>• MT 9728:</li> <li>• MT 9960:</li> <li>• MT 9965:</li> <li>• MT 3231, 4085, 6138, 6209, 6239, 6302, 7188, 7244, 7347, 7355, 7571, 7628, 7635, 8494, and 8854_SB</li> </ul>	03T1811	1
Spanish <ul style="list-style-type: none"> <li>• MT 3063:</li> <li>• MT 3285:</li> <li>• MT 4084:</li> <li>• MT 4086:</li> <li>• MT 4087:</li> <li>• MT 7358:</li> <li>• MT 7373:</li> <li>• MT 7484:</li> <li>• MT 7639:</li> <li>• MT 9728:</li> <li>• MT 9960:</li> <li>• MT 9965:</li> <li>• MT 3231, 4085, 6138, 6209, 6239, 6302, 7188, 7244, 7347, 7355, 7571, 7628, 7635, 8494, and 8854_SB</li> </ul>	03T1818	1
Italian <ul style="list-style-type: none"> <li>• MT 3063:</li> <li>• MT 3285:</li> <li>• MT 4084:</li> <li>• MT 4086:</li> <li>• MT 4087:</li> <li>• MT 7358:</li> <li>• MT 7373:</li> <li>• MT 7484:</li> <li>• MT 7639:</li> <li>• MT 9728:</li> <li>• MT 9960:</li> <li>• MT 9965:</li> </ul>	03T1814	1

Windows 7 Home Premium 32 SP1	FRU #	CRU
<ul style="list-style-type: none"> <li>• MT 3231, 4085, 6138, 6209, 6239, 6302, 7188, 7244, 7347, 7355, 7571, 7628, 7635, 8494, and 8854_SB</li> </ul>		
<p>Korean</p> <ul style="list-style-type: none"> <li>• MT 3063:</li> <li>• MT 3285:</li> <li>• MT 4084:</li> <li>• MT 4086:</li> <li>• MT 4087:</li> <li>• MT 7358:</li> <li>• MT 7373:</li> <li>• MT 7484:</li> <li>• MT 7639:</li> <li>• MT 9728:</li> <li>• MT 9960:</li> <li>• MT 9965:</li> <li>• MT 3231, 4085, 6138, 6209, 6239, 6302, 7188, 7244, 7347, 7355, 7571, 7628, 7635, 8494, and 8854_SB</li> </ul>	03T1816	1
<p>Hong Kong</p> <ul style="list-style-type: none"> <li>• MT 3063:</li> <li>• MT 3285:</li> <li>• MT 4084:</li> <li>• MT 4086:</li> <li>• MT 4087:</li> <li>• MT 7358:</li> <li>• MT 7373:</li> <li>• MT 7484:</li> <li>• MT 7639:</li> <li>• MT 9728:</li> <li>• MT 9960:</li> <li>• MT 9965:</li> <li>• MT 3231, 4085, 6138, 6209, 6239, 6302, 7188, 7244, 7347, 7355, 7571, 7628, 7635, 8494, and 8854_SB</li> </ul>	03T1813	1
<p>Romanian</p> <ul style="list-style-type: none"> <li>• MT 3063:</li> <li>• MT 3285:</li> <li>• MT 4084:</li> <li>• MT 4086:</li> <li>• MT 4087:</li> <li>• MT 7358:</li> <li>• MT 7373:</li> <li>• MT 7484:</li> <li>• MT 7639:</li> <li>• MT 9728:</li> </ul>	03T1817	1

Windows 7 Home Premium 32 SP1	FRU #	CRU
<ul style="list-style-type: none"> <li>• MT 9960:</li> <li>• MT 9965:</li> <li>• MT 3231, 4085, 6138, 6209, 6239, 6302, 7188, 7244, 7347, 7355, 7571, 7628, 7635, 8494, and 8854_SB</li> </ul>		
<p>Hebrew</p> <ul style="list-style-type: none"> <li>• MT 3063:</li> <li>• MT 3285:</li> <li>• MT 4084:</li> <li>• MT 4086:</li> <li>• MT 4087:</li> <li>• MT 7358:</li> <li>• MT 7373:</li> <li>• MT 7484:</li> <li>• MT 7639:</li> <li>• MT 9728:</li> <li>• MT 9960:</li> <li>• MT 9965:</li> <li>• MT 3231, 4085, 6138, 6209, 6239, 6302, 7188, 7244, 7347, 7355, 7571, 7628, 7635, 8494, and 8854_SB</li> </ul>	03T1812	1
<p>Brazilian Portuguese</p> <ul style="list-style-type: none"> <li>• MT 3063:</li> <li>• MT 3285:</li> <li>• MT 4084:</li> <li>• MT 4086:</li> <li>• MT 4087:</li> <li>• MT 7358:</li> <li>• MT 7373:</li> <li>• MT 7484:</li> <li>• MT 7639:</li> <li>• MT 9728:</li> <li>• MT 9960:</li> <li>• MT 9965:</li> <li>• MT 3231, 4085, 6138, 6209, 6239, 6302, 7188, 7244, 7347, 7355, 7571, 7628, 7635, 8494, and 8854_SB</li> </ul>	03T1806	1

Windows 7 Home Premium 32 SP1	FRU #	CRU
Simplified Chinese <ul style="list-style-type: none"> <li>• MT 3063:</li> <li>• MT 3285:</li> <li>• MT 4084:</li> <li>• MT 4086:</li> <li>• MT 4087:</li> <li>• MT 7358:</li> <li>• MT 7373:</li> <li>• MT 7484:</li> <li>• MT 7639:</li> <li>• MT 9728:</li> <li>• MT 9960:</li> <li>• MT 9965:</li> <li>• MT 3231, 4085, 6138, 6209, 6239, 6302, 7188, 7244, 7347, 7355, 7571, 7628, 7635, 8494, and 8854_SB</li> </ul>	03T1807	1
Traditional Chinese <ul style="list-style-type: none"> <li>• MT 3063:</li> <li>• MT 3285:</li> <li>• MT 4084:</li> <li>• MT 4086:</li> <li>• MT 4087:</li> <li>• MT 7358:</li> <li>• MT 7373:</li> <li>• MT 7484:</li> <li>• MT 7639:</li> <li>• MT 9728:</li> <li>• MT 9960:</li> <li>• MT 9965:</li> <li>• MT 3231, 4085, 6138, 6209, 6239, 6302, 7188, 7244, 7347, 7355, 7571, 7628, 7635, 8494, and 8854_SB</li> </ul>	03T1808	1
C&L Bel Lux (EN FR GR NL) <ul style="list-style-type: none"> <li>• MT 3063:</li> <li>• MT 3285:</li> <li>• MT 4084:</li> <li>• MT 4086:</li> <li>• MT 4087:</li> <li>• MT 7358:</li> <li>• MT 7373:</li> <li>• MT 7484:</li> <li>• MT 7639:</li> <li>• MT 9728:</li> <li>• MT 9960:</li> <li>• MT 9965:</li> </ul>	03T1820	1



Windows 7 Home Premium 32 SP1	FRU #	CRU
<ul style="list-style-type: none"> <li>• MT 3231, 4085, 6138, 6209, 6239, 6302, 7188, 7244, 7347, 7355, 7571, 7628, 7635, 8494, and 8854_SB</li> </ul>		
<p>C&amp;L Nordics (EN DK FI NO SV)</p> <ul style="list-style-type: none"> <li>• MT 3063:</li> <li>• MT 3285:</li> <li>• MT 4084:</li> <li>• MT 4086:</li> <li>• MT 4087:</li> <li>• MT 7358:</li> <li>• MT 7373:</li> <li>• MT 7484:</li> <li>• MT 7639:</li> <li>• MT 9728:</li> <li>• MT 9960:</li> <li>• MT 9965:</li> <li>• MT 3231, 4085, 6138, 6209, 6239, 6302, 7188, 7244, 7347, 7355, 7571, 7628, 7635, 8494, and 8854_SB</li> </ul>	03T1821	1
<p>C&amp;L Switzerland (EN FR GR IT)</p> <ul style="list-style-type: none"> <li>• MT 3063:</li> <li>• MT 3285:</li> <li>• MT 4084:</li> <li>• MT 4086:</li> <li>• MT 4087:</li> <li>• MT 7358:</li> <li>• MT 7373:</li> <li>• MT 7484:</li> <li>• MT 7639:</li> <li>• MT 9728:</li> <li>• MT 9960:</li> <li>• MT 9965:</li> <li>• MT 3231, 4085, 6138, 6209, 6239, 6302, 7188, 7244, 7347, 7355, 7571, 7628, 7635, 8494, and 8854_SB</li> </ul>	03T1822	1
<p>India English</p> <ul style="list-style-type: none"> <li>• MT 3063:</li> <li>• MT 3285:</li> <li>• MT 4084:</li> <li>• MT 4086:</li> <li>• MT 4087:</li> <li>• MT 7358:</li> <li>• MT 7373:</li> <li>• MT 7484:</li> <li>• MT 7639:</li> <li>• MT 9728:</li> </ul>	03T1809	1

Windows 7 Home Premium 32 SP1	FRU #	CRU
<ul style="list-style-type: none"> <li>• MT 9960:</li> <li>• MT 9965:</li> <li>• MT 3231, 4085, 6138, 6209, 6239, 6302, 7188, 7244, 7347, 7355, 7571, 7628, 7635, 8494, and 8854_SB</li> </ul>		
Japanese <ul style="list-style-type: none"> <li>• MT 3063:</li> <li>• MT 3285:</li> <li>• MT 4084:</li> <li>• MT 4086:</li> <li>• MT 4087:</li> <li>• MT 7358:</li> <li>• MT 7373:</li> <li>• MT 7484:</li> <li>• MT 7639:</li> <li>• MT 9728:</li> <li>• MT 9960:</li> <li>• MT 9965:</li> <li>• MT 3231, 4085, 6138, 6209, 6239, 6302, 7188, 7244, 7347, 7355, 7571, 7628, 7635, 8494, and 8854_SB</li> </ul>	03T1815	1

## Windows 7 Professional 32 Recovery CD

Windows 7 Professional 32	FRU #	CRU
US English <ul style="list-style-type: none"> <li>• MT 3063: BGH BHH B4M B5M B6U B7U B8U B9U BBU BCL BSG BUG BSU BSG BSM BSA BSQ BSH BSR BSE BVU BWQ</li> <li>• MT 3285: A1U A1L A1G A1M A1A A1Q A1H A1R A1E A2Q</li> <li>• MT 4084: A1G</li> <li>• MT 4086: A1G A2G A3G</li> <li>• MT 4087: A2G</li> <li>• MT 7358: A2G A3G</li> <li>• MT 7373: EBA ECA EDA D8M D8A D9M E1M E2M E3U E4U E5U E6U E7U EFQ EGU F7A F8A F9U F9L FBU FBL FFQ FCU</li> <li>• MT 7484: BQA BRA BNM BPM BMM DIU E1U D9U</li> <li>• MT 7639: A1U A1L A1G A1M A1A A1Q A1H A1R A1E A2Q</li> <li>• MT 9728: A3H A4H AFA ADA ABM ACM A6U A7U A8U A9L A5U A5L A5G A5M A5A A5Q A5H A5R A5E AGG ATG AUQ</li> <li>• MT 9960: AKU ALU ANU APU AMU</li> <li>• MT 9965: A5G A6U A7U A8G A9U ABU</li> <li>• MT 3231, 4085, 6138, 6209, 6239, 6302, 7188, 7244, 7347, 7355, 7571, 7628, 7635, 8494, and 8854_SB</li> </ul>	71Y8328	1
French <ul style="list-style-type: none"> <li>• MT 3063: B6F B7F B8F B9F BSG BUG BBF BSF BVF</li> <li>• MT 3285: A1F A1G</li> </ul>	71Y8309	1

Windows 7 Professional 32	FRU #	CRU
<ul style="list-style-type: none"> <li>• MT 4084:</li> <li>• MT 4086:</li> <li>• MT 4087:</li> <li>• MT 7358:</li> <li>• MT 7373: E3F E4F E5F E6F E7F EGF F9F FBF FCF</li> <li>• MT 7484: DIF E1F</li> <li>• MT 7639: A1J</li> <li>• MT 9728: A6F A7F A8F A5F A5G AGG ATG</li> <li>• MT 9960: AkF ALF ANF APF AMF</li> <li>• MT 9965: A5G A6F A7F A8G A9F ABF</li> <li>• MT 3231, 4085, 6138, 6209, 6239, 6302, 7188, 7244, 7347, 7355, 7571, 7628, 7635, 8494, and 8854_SB</li> </ul>		
<p>German</p> <ul style="list-style-type: none"> <li>• MT 3063: BSG BUG</li> <li>• MT 3285: A1G</li> <li>• MT 4084: A1G</li> <li>• MT 4086: A1G A2G A3G</li> <li>• MT 4087: A2G</li> <li>• MT 7358: A2G A3G</li> <li>• MT 7373:</li> <li>• MT 7484:</li> <li>• MT 7639: A1F A1G</li> <li>• MT 9728: A5G AGG ATG</li> <li>• MT 9960:</li> <li>• MT 9965: A5G A8G</li> <li>• MT 3231, 4085, 6138, 6209, 6239, 6302, 7188, 7244, 7347, 7355, 7571, 7628, 7635, 8494, and 8854_SB</li> </ul>	71Y8311	1
<p>Japanese</p> <ul style="list-style-type: none"> <li>• MT 3063: BJJ BKJ BLJ BMJ BNJ BPJ BDJ BFJ BSJ CAJ CBJ</li> <li>• MT 3285: A1J</li> <li>• MT 4084: A1G</li> <li>• MT 4086: A1G A2G A3G</li> <li>• MT 4087: A2G</li> <li>• MT 7358: A2G A3G</li> <li>• MT 7373:</li> <li>• MT 7484:</li> <li>• MT 7639: A1G</li> <li>• MT 9728:</li> <li>• MT 9960:</li> <li>• MT 9965:</li> <li>• MT 3231, 4085, 6138, 6209, 6239, 6302, 7188, 7244, 7347, 7355, 7571, 7628, 7635, 8494, and 8854_SB</li> </ul>	71Y8316	1

Windows 7 Professional 32	FRU #	CRU
Spanish <ul style="list-style-type: none"> <li>• MT 3063: BCS BCD BCY BSG BUG</li> <li>• MT 3285: A1S A1D A1Y</li> <li>• MT 4084:</li> <li>• MT 4086:</li> <li>• MT 4087:</li> <li>• MT 7358:</li> <li>• MT 7373:</li> <li>• MT 7484:</li> <li>• MT 7639: A1S A1D A1Y</li> <li>• MT 9728: A9S A9D A9Y A5S A5D A5Y</li> <li>• MT 9960: AkS AkD AkY ALS ANS APS AMS</li> <li>• MT 9965: A5G A8G A9S ABS</li> <li>• MT 3231, 4085, 6138, 6209, 6239, 6302, 7188, 7244, 7347, 7355, 7571, 7628, 7635, 8494, and 8854_SB</li> </ul>	71Y8325	1
Italian <ul style="list-style-type: none"> <li>• MT 3063: BSG BUG</li> <li>• MT 3285:</li> <li>• MT 4084: A1G</li> <li>• MT 4086: A1G A2G A3G</li> <li>• MT 4087: A2G</li> <li>• MT 7358: A2G A3G</li> <li>• MT 7373:</li> <li>• MT 7484:</li> <li>• MT 7639: A1G</li> <li>• MT 9728:</li> <li>• MT 9960:</li> <li>• MT 9965:</li> <li>• MT 3231, 4085, 6138, 6209, 6239, 6302, 7188, 7244, 7347, 7355, 7571, 7628, 7635, 8494, and 8854_SB</li> </ul>	71Y8315	1
Czech <ul style="list-style-type: none"> <li>• MT 3063: BSG BUG</li> <li>• MT 3285: A1G</li> <li>• MT 4084: A1G</li> <li>• MT 4086: A1G A2G A3G</li> <li>• MT 4087: A2G</li> <li>• MT 7358: A2G A3G</li> <li>• MT 7373:</li> <li>• MT 7484:</li> <li>• MT 7639: A1G</li> <li>• MT 9728: A5G AGG ATG</li> <li>• MT 9960:</li> <li>• MT 9965:</li> </ul>	71Y8308	1

Windows 7 Professional 32	FRU #	CRU
<ul style="list-style-type: none"> <li>• MT 3231, 4085, 6138, 6209, 6239, 6302, 7188, 7244, 7347, 7355, 7571, 7628, 7635, 8494, and 8854_SB</li> </ul>		
Polish <ul style="list-style-type: none"> <li>• MT 3063: BSG BUG</li> <li>• MT 3285:</li> <li>• MT 4084: A1G</li> <li>• MT 4086: A1G A2G A3G</li> <li>• MT 4087: A2G</li> <li>• MT 7358: A2G A3G</li> <li>• MT 7373:</li> <li>• MT 7484:</li> <li>• MT 7639: A1G</li> <li>• MT 9728:</li> <li>• MT 9960:</li> <li>• MT 9965: A5G A8G</li> <li>• MT 3231, 4085, 6138, 6209, 6239, 6302, 7188, 7244, 7347, 7355, 7571, 7628, 7635, 8494, and 8854_SB</li> </ul>	71Y8318	1
Russian <ul style="list-style-type: none"> <li>• MT 3063: BSG BUG</li> <li>• MT 3285: A1G</li> <li>• MT 4084: A1G</li> <li>• MT 4086: A1G A2G A3G</li> <li>• MT 4087: A2G</li> <li>• MT 7358: A2G A3G</li> <li>• MT 7373:</li> <li>• MT 7484:</li> <li>• MT 7639: A1G</li> <li>• MT 9728: A5G AGG ATG</li> <li>• MT 9960:</li> <li>• MT 9965: A5G A8G</li> <li>• MT 3231, 4085, 6138, 6209, 6239, 6302, 7188, 7244, 7347, 7355, 7571, 7628, 7635, 8494, and 8854_SB</li> </ul>	71Y8322	1
Turkish <ul style="list-style-type: none"> <li>• MT 3063: BSG BUG</li> <li>• MT 3285: A1G</li> <li>• MT 4084: A1G</li> <li>• MT 4086: A1G A2G A3G</li> <li>• MT 4087: A2G</li> <li>• MT 7358: A2G A3G</li> <li>• MT 7373:</li> <li>• MT 7484:</li> <li>• MT 7639: A1G</li> <li>• MT 9728: A5G AGG ATG</li> </ul>	71Y8327	1

Windows 7 Professional 32	FRU #	CRU
<ul style="list-style-type: none"> <li>• MT 9960:</li> <li>• MT 9965: A5G A8G</li> <li>• MT 3231, 4085, 6138, 6209, 6239, 6302, 7188, 7244, 7347, 7355, 7571, 7628, 7635, 8494, and 8854_SB</li> </ul>		
<p>Hungarian</p> <ul style="list-style-type: none"> <li>• MT 3063: BSG BUG</li> <li>• MT 3285: A1G</li> <li>• MT 4084: A1G</li> <li>• MT 4086: A1G A2G A3G</li> <li>• MT 4087: A2G</li> <li>• MT 7358: A2G A3G</li> <li>• MT 7373:</li> <li>• MT 7484:</li> <li>• MT 7639: A1G</li> <li>• MT 9728: A5G AGG ATG</li> <li>• MT 9960:</li> <li>• MT 9965: A5G A8G</li> <li>• MT 3231, 4085, 6138, 6209, 6239, 6302, 7188, 7244, 7347, 7355, 7571, 7628, 7635, 8494, and 8854_SB</li> </ul>	71Y8314	1
<p>Greek</p> <ul style="list-style-type: none"> <li>• MT 3063: BSG BUG</li> <li>• MT 3285: A1G</li> <li>• MT 4084: A1G</li> <li>• MT 4086: A1G A2G A3G</li> <li>• MT 4087: A2G</li> <li>• MT 7358: A2G A3G</li> <li>• MT 7373:</li> <li>• MT 7484:</li> <li>• MT 7639: A1G</li> <li>• MT 9728: A5G AGG ATG</li> <li>• MT 9960:</li> <li>• MT 9965: A5G A8G</li> <li>• MT 3231, 4085, 6138, 6209, 6239, 6302, 7188, 7244, 7347, 7355, 7571, 7628, 7635, 8494, and 8854_SB</li> </ul>	71Y8310	1

Windows 7 Professional 32	FRU #	CRU
Brazilian Portuguese <ul style="list-style-type: none"> <li>• MT 3063: BCP</li> <li>• MT 3285: A1G</li> <li>• MT 4084:</li> <li>• MT 4086:</li> <li>• MT 4087:</li> <li>• MT 7358:</li> <li>• MT 7373:</li> <li>• MT 7484:</li> <li>• MT 7639: A1P</li> <li>• MT 9728: A5G AGG ATG</li> <li>• MT 9960: AkP</li> <li>• MT 9965: A6P A7P</li> <li>• MT 3231, 4085, 6138, 6209, 6239, 6302, 7188, 7244, 7347, 7355, 7571, 7628, 7635, 8494, and 8854_SB</li> </ul>	71Y8305	1
Korean <ul style="list-style-type: none"> <li>• MT 3063: BSK</li> <li>• MT 3285: A1P</li> <li>• MT 4084:</li> <li>• MT 4086:</li> <li>• MT 4087:</li> <li>• MT 7358:</li> <li>• MT 7373:</li> <li>• MT 7484:</li> <li>• MT 7639: A1K</li> <li>• MT 9728: A9P A5P</li> <li>• MT 9960:</li> <li>• MT 9965:</li> <li>• MT 3231, 4085, 6138, 6209, 6239, 6302, 7188, 7244, 7347, 7355, 7571, 7628, 7635, 8494, and 8854_SB</li> </ul>	71Y8317	1
Slovenian <ul style="list-style-type: none"> <li>• MT 3063: BSG BUG</li> <li>• MT 3285: A1K</li> <li>• MT 4084: A1G</li> <li>• MT 4086: A1G A2G A3G</li> <li>• MT 4087: A2G</li> <li>• MT 7358: A2G A3G</li> <li>• MT 7373:</li> <li>• MT 7484:</li> <li>• MT 7639: A1G</li> <li>• MT 9728: A5K</li> <li>• MT 9960:</li> <li>• MT 9965:</li> </ul>	71Y8324	1

Windows 7 Professional 32	FRU #	CRU
<ul style="list-style-type: none"> <li>• MT 3231, 4085, 6138, 6209, 6239, 6302, 7188, 7244, 7347, 7355, 7571, 7628, 7635, 8494, and 8854_SB</li> </ul>		
<p>Russian English</p> <ul style="list-style-type: none"> <li>• MT 3063: BSG BUG</li> <li>• MT 3285:</li> <li>• MT 4084: A1G</li> <li>• MT 4086: A1G A2G A3G</li> <li>• MT 4087: A2G</li> <li>• MT 7358: A2G A3G</li> <li>• MT 7373:</li> <li>• MT 7484:</li> <li>• MT 7639: A1G</li> <li>• MT 9728:</li> <li>• MT 9960:</li> <li>• MT 9965: A5G A8G</li> <li>• MT 3231, 4085, 6138, 6209, 6239, 6302, 7188, 7244, 7347, 7355, 7571, 7628, 7635, 8494, and 8854_SB</li> </ul>	71Y8320	1
<p>Romanian</p> <ul style="list-style-type: none"> <li>• MT 3063: BSG BUG</li> <li>• MT 3285: A1G</li> <li>• MT 4084: A1G</li> <li>• MT 4086: A1G A2G A3G</li> <li>• MT 4087: A2G</li> <li>• MT 7358: A2G A3G</li> <li>• MT 7373:</li> <li>• MT 7484:</li> <li>• MT 7639: A1G</li> <li>• MT 9728: A5G AGG ATG</li> <li>• MT 9960:</li> <li>• MT 9965: A5G A8G</li> <li>• MT 3231, 4085, 6138, 6209, 6239, 6302, 7188, 7244, 7347, 7355, 7571, 7628, 7635, 8494, and 8854_SB</li> </ul>	71Y8321	1
<p>Serbian-Latin</p> <ul style="list-style-type: none"> <li>• MT 3063: BSG BUG</li> <li>• MT 3285: A1G</li> <li>• MT 4084: A1G</li> <li>• MT 4086: A1G A2G A3G</li> <li>• MT 4087: A2G</li> <li>• MT 7358: A2G A3G</li> <li>• MT 7373:</li> <li>• MT 7484:</li> <li>• MT 7639: A1G</li> <li>• MT 9728: A5G AGG ATG</li> </ul>	71Y8326	1



Windows 7 Professional 32	FRU #	CRU
<ul style="list-style-type: none"> <li>• MT 9960:</li> <li>• MT 9965:</li> <li>• MT 3231, 4085, 6138, 6209, 6239, 6302, 7188, 7244, 7347, 7355, 7571, 7628, 7635, 8494, and 8854_SB</li> </ul>		
<p>Slovakian</p> <ul style="list-style-type: none"> <li>• MT 3063: BSG BUG</li> <li>• MT 3285:</li> <li>• MT 4084: A1G</li> <li>• MT 4086: A1G A2G A3G</li> <li>• MT 4087: A2G</li> <li>• MT 7358: A2G A3G</li> <li>• MT 7373:</li> <li>• MT 7484:</li> <li>• MT 7639: A1G</li> <li>• MT 9728:</li> <li>• MT 9960:</li> <li>• MT 9965: A5G A8G</li> <li>• MT 3231, 4085, 6138, 6209, 6239, 6302, 7188, 7244, 7347, 7355, 7571, 7628, 7635, 8494, and 8854_SB</li> </ul>	71Y8323	1
<p>Arabic Localized</p> <ul style="list-style-type: none"> <li>• MT 3063: BSG BUG</li> <li>• MT 3285: A1G</li> <li>• MT 4084: A1G</li> <li>• MT 4086: A1G A2G A3G</li> <li>• MT 4087: A2G</li> <li>• MT 7358: A2G A3G</li> <li>• MT 7373:</li> <li>• MT 7484:</li> <li>• MT 7639: A1G</li> <li>• MT 9728: A5G AGG ATG</li> <li>• MT 9960:</li> <li>• MT 9965:</li> <li>• MT 3231, 4085, 6138, 6209, 6239, 6302, 7188, 7244, 7347, 7355, 7571, 7628, 7635, 8494, and 8854_SB</li> </ul>	71Y8304	1

Windows 7 Professional 32	FRU #	CRU
Hebrew <ul style="list-style-type: none"> <li>• MT 3063: BSG BUG</li> <li>• MT 3285:</li> <li>• MT 4084: A1G</li> <li>• MT 4086: A1G A2G A3G</li> <li>• MT 4087: A2G</li> <li>• MT 7358: A2G A3G</li> <li>• MT 7373:</li> <li>• MT 7484:</li> <li>• MT 7639: A1G</li> <li>• MT 9728:</li> <li>• MT 9960:</li> <li>• MT 9965: A5G A8G</li> <li>• MT 3231, 4085, 6138, 6209, 6239, 6302, 7188, 7244, 7347, 7355, 7571, 7628, 7635, 8494, and 8854_SB</li> </ul>	71Y8312	1
Simplified Chinese <ul style="list-style-type: none"> <li>• MT 3063: BSC</li> <li>• MT 3285: A1G</li> <li>• MT 4084:</li> <li>• MT 4086:</li> <li>• MT 4087:</li> <li>• MT 7358:</li> <li>• MT 7373:</li> <li>• MT 7484:</li> <li>• MT 7639: A1C</li> <li>• MT 9728: A5G AGG ATG</li> <li>• MT 9960:</li> <li>• MT 9965:</li> <li>• MT 3231, 4085, 6138, 6209, 6239, 6302, 7188, 7244, 7347, 7355, 7571, 7628, 7635, 8494, and 8854_SB</li> </ul>	71Y8306	1
Traditional Chinese <ul style="list-style-type: none"> <li>• MT 3063: BSB</li> <li>• MT 3285:</li> <li>• MT 4084:</li> <li>• MT 4086:</li> <li>• MT 4087:</li> <li>• MT 7358:</li> <li>• MT 7373: EHV EJV EKV ELV EMV ENV EPV ERV ESV EWW F3V F4V</li> <li>• MT 7484: D8V D2V D3V D4V D5V D6V D7V</li> <li>• MT 7639: A1V</li> <li>• MT 9728:</li> <li>• MT 9960:</li> <li>• MT 9965:</li> </ul>	71Y8307	1

Windows 7 Professional 32	FRU #	CRU
<ul style="list-style-type: none"> <li>• MT 3231, 4085, 6138, 6209, 6239, 6302, 7188, 7244, 7347, 7355, 7571, 7628, 7635, 8494, and 8854_SB</li> </ul>		
<p>Hong Kong</p> <ul style="list-style-type: none"> <li>• MT 3063: BSB</li> <li>• MT 3285:</li> <li>• MT 4084:</li> <li>• MT 4086:</li> <li>• MT 4087:</li> <li>• MT 7358:</li> <li>• MT 7373:</li> <li>• MT 7484:</li> <li>• MT 7639: A1B</li> <li>• MT 9728:</li> <li>• MT 9960:</li> <li>• MT 9965:</li> <li>• MT 3231, 4085, 6138, 6209, 6239, 6302, 7188, 7244, 7347, 7355, 7571, 7628, 7635, 8494, and 8854_SB</li> </ul>	71Y8313	1
<p>Portuguese</p> <ul style="list-style-type: none"> <li>• MT 3063: BSG BUG</li> <li>• MT 3285:</li> <li>• MT 4084: A1G</li> <li>• MT 4086: A1G A2G A3G</li> <li>• MT 4087: A2G</li> <li>• MT 7358: A2G A3G</li> <li>• MT 7373:</li> <li>• MT 7484:</li> <li>• MT 7639: A1G</li> <li>• MT 9728:</li> <li>• MT 9960:</li> <li>• MT 9965:</li> <li>• MT 3231, 4085, 6138, 6209, 6239, 6302, 7188, 7244, 7347, 7355, 7571, 7628, 7635, 8494, and 8854_SB</li> </ul>	71Y8319	1
<p>C&amp;L Bel Lux (EN FR GR NL)</p> <ul style="list-style-type: none"> <li>• MT 3063: BSG BUG</li> <li>• MT 3285: A1G</li> <li>• MT 4084: A1G</li> <li>• MT 4086: A1G A2G A3G</li> <li>• MT 4087: A2G</li> <li>• MT 7358: A2G A3G</li> <li>• MT 7373:</li> <li>• MT 7484:</li> <li>• MT 7639: A1G</li> <li>• MT 9728: A5G AGG ATG</li> </ul>	71Y8329	1

Windows 7 Professional 32	FRU #	CRU
<ul style="list-style-type: none"> <li>• MT 9960:</li> <li>• MT 9965:</li> <li>• MT 3231, 4085, 6138, 6209, 6239, 6302, 7188, 7244, 7347, 7355, 7571, 7628, 7635, 8494, and 8854_SB</li> </ul>		
<p>C&amp;L Nordics (EN DK FI NO SV)</p> <ul style="list-style-type: none"> <li>• MT 3063: BSG BUG</li> <li>• MT 3285: A1G</li> <li>• MT 4084: A1G</li> <li>• MT 4086: A1G A2G A3G</li> <li>• MT 4087: A2G</li> <li>• MT 7358: A2G A3G</li> <li>• MT 7373:</li> <li>• MT 7484:</li> <li>• MT 7639: A1G</li> <li>• MT 9728: A5G AGG ATG</li> <li>• MT 9960:</li> <li>• MT 9965:</li> <li>• MT 3231, 4085, 6138, 6209, 6239, 6302, 7188, 7244, 7347, 7355, 7571, 7628, 7635, 8494, and 8854_SB</li> </ul>	71Y8330	1
<p>C&amp;L Switzerland (EN FR GR IT)</p> <ul style="list-style-type: none"> <li>• MT 3063: BSG BUG</li> <li>• MT 3285: A1G</li> <li>• MT 4084: A1G</li> <li>• MT 4086: A1G A2G A3G</li> <li>• MT 4087: A2G</li> <li>• MT 7358: A2G A3G</li> <li>• MT 7373:</li> <li>• MT 7484:</li> <li>• MT 7639: A1G</li> <li>• MT 9728: A5G AGG ATG</li> <li>• MT 9960:</li> <li>• MT 9965:</li> <li>• MT 3231, 4085, 6138, 6209, 6239, 6302, 7188, 7244, 7347, 7355, 7571, 7628, 7635, 8494, and 8854_SB</li> </ul>	71Y8331	1
<p>India English</p> <ul style="list-style-type: none"> <li>• MT 3063:</li> <li>• MT 3285:</li> <li>• MT 4084:</li> <li>• MT 4086:</li> <li>• MT 4087:</li> <li>• MT 7358:</li> <li>• MT 7373:</li> <li>• MT 7484:</li> </ul>	71Y8649	1

Windows 7 Professional 32	FRU #	CRU
<ul style="list-style-type: none"> <li>• MT 7639:</li> <li>• MT 9728: A5G AGG ATG</li> <li>• MT 9960:</li> <li>• MT 9965: A5G A8G</li> <li>• MT 3231, 4085, 6138, 6209, 6239, 6302, 7188, 7244, 7347, 7355, 7571, 7628, 7635, 8494, and 8854_SB</li> </ul>		

## Windows 7 Professional 32 SP1 Recovery CD

Windows 7 Professional 32 SP1	FRU #	CRU
<p>US English</p> <ul style="list-style-type: none"> <li>• MT 3063: BGH BHH B4M B5M B6U B7U B8U B9U BBU BCL BSG BUG BSU BSG BSM BSA BSQ BSH BSR BSE BVU BWQ</li> <li>• MT 3285: A1U A1L A1G A1M A1A A1Q A1H A1R A1E A2Q</li> <li>• MT 4084: A1G</li> <li>• MT 4086: A1G A2G A3G</li> <li>• MT 4087: A2G</li> <li>• MT 7358: A2G A3G</li> <li>• MT 7373: EBA ECA EDA D8M D8A D9M E1M E2M E3U E4U E5U E6U E7U EFQ EGU F7A F8A F9U F9L FBU FBL FFQ FCU</li> <li>• MT 7484: BQA BRA BNM BPM BMM DIU E1U D9U</li> <li>• MT 7639: A1U A1L A1G A1M A1A A1Q A1H A1R A1E A2Q</li> <li>• MT 9728: A3H A4H AFA ADA ABM ACM A6U A7U A8U A9L A5U A5L A5G A5M A5A A5Q A5H A5R A5E AGG ATG AUQ</li> <li>• MT 9960: AkU ALU ANU APU AMU</li> <li>• MT 9965: A5G A6U A7U A8G A9U ABU</li> <li>• MT 3231, 4085, 6138, 6209, 6239, 6302, 7188, 7244, 7347, 7355, 7571, 7628, 7635, 8494, and 8854_SB</li> </ul>	03T1792	1
<p>French</p> <ul style="list-style-type: none"> <li>• MT 3063: B6F B7F B8F B9F BSG BUG BBF BSF BVF</li> <li>• MT 3285: A1F A1G</li> <li>• MT 4084: A1G</li> <li>• MT 4086: A1G A2G A3G</li> <li>• MT 4087: A2G</li> <li>• MT 7358: A2G A3G</li> <li>• MT 7373: E3F E4F E5F E6F E7F EGF F9F FBF FCF</li> <li>• MT 7484: DIF E1F</li> <li>• MT 7639: A1F A1G</li> <li>• MT 9728: A6F A7F A8F A5F A5G AGG ATG</li> <li>• MT 9960: AkF ALF ANF APF AMF</li> <li>• MT 9965: A5G A6F A7F A8G A9F ABF</li> <li>• MT 3231, 4085, 6138, 6209, 6239, 6302, 7188, 7244, 7347, 7355, 7571, 7628, 7635, 8494, and 8854_SB</li> </ul>	03T1773	1

Windows 7 Professional 32 SP1	FRU #	CRU
<p>German</p> <ul style="list-style-type: none"> <li>• MT 3063: BSG BUG</li> <li>• MT 3285: A1G</li> <li>• MT 4084: A1G</li> <li>• MT 4086: A1G A2G A3G</li> <li>• MT 4087: A2G</li> <li>• MT 7358: A2G A3G</li> <li>• MT 7373:</li> <li>• MT 7484:</li> <li>• MT 7639: A1G</li> <li>• MT 9728: A5G AGG ATG</li> <li>• MT 9960:</li> <li>• MT 9965: A5G A8G</li> <li>• MT 3231, 4085, 6138, 6209, 6239, 6302, 7188, 7244, 7347, 7355, 7571, 7628, 7635, 8494, and 8854_SB</li> </ul>	03T1775	1
<p>Spanish</p> <ul style="list-style-type: none"> <li>• MT 3063: BCS BCD BCY BSG BUG</li> <li>• MT 3285: A1S A1D A1Y</li> <li>• MT 4084:</li> <li>• MT 4086:</li> <li>• MT 4087:</li> <li>• MT 7358:</li> <li>• MT 7373:</li> <li>• MT 7484:</li> <li>• MT 7639: A1S A1D A1Y</li> <li>• MT 9728: A9S A9D A9Y A5S A5D A5Y</li> <li>• MT 9960: AkS AkD AkY ALS ANS APS AMS</li> <li>• MT 9965: A5G A8G A9S ABS</li> <li>• MT 3231, 4085, 6138, 6209, 6239, 6302, 7188, 7244, 7347, 7355, 7571, 7628, 7635, 8494, and 8854_SB</li> </ul>	03T1789	1
<p>Italian</p> <ul style="list-style-type: none"> <li>• MT 3063: BSG BUG</li> <li>• MT 3285:</li> <li>• MT 4084: A1G</li> <li>• MT 4086: A1G A2G A3G</li> <li>• MT 4087: A2G</li> <li>• MT 7358: A2G A3G</li> <li>• MT 7373:</li> <li>• MT 7484:</li> <li>• MT 7639: A1G</li> <li>• MT 9728:</li> <li>• MT 9960:</li> <li>• MT 9965:</li> </ul>	03T1779	1

Windows 7 Professional 32 SP1	FRU #	CRU
<ul style="list-style-type: none"> <li>• MT 3231, 4085, 6138, 6209, 6239, 6302, 7188, 7244, 7347, 7355, 7571, 7628, 7635, 8494, and 8854_SB</li> </ul>		
<p>Czech</p> <ul style="list-style-type: none"> <li>• MT 3063: BSG BUG</li> <li>• MT 3285: A1G</li> <li>• MT 4084: A1G</li> <li>• MT 4086: A1G A2G A3G</li> <li>• MT 4087: A2G</li> <li>• MT 7358: A2G A3G</li> <li>• MT 7373:</li> <li>• MT 7484:</li> <li>• MT 7639: A1G</li> <li>• MT 9728: A5G AGG ATG</li> <li>• MT 9960:</li> <li>• MT 9965:</li> <li>• MT 3231, 4085, 6138, 6209, 6239, 6302, 7188, 7244, 7347, 7355, 7571, 7628, 7635, 8494, and 8854_SB</li> </ul>	03T1771	1
<p>Polish</p> <ul style="list-style-type: none"> <li>• MT 3063: BSG BUG</li> <li>• MT 3285:</li> <li>• MT 4084: A1G</li> <li>• MT 4086: A1G A2G A3G</li> <li>• MT 4087: A2G</li> <li>• MT 7358: A2G A3G</li> <li>• MT 7373:</li> <li>• MT 7484:</li> <li>• MT 7639: A1G</li> <li>• MT 9728:</li> <li>• MT 9960:</li> <li>• MT 9965: A5G A8G</li> <li>• MT 3231, 4085, 6138, 6209, 6239, 6302, 7188, 7244, 7347, 7355, 7571, 7628, 7635, 8494, and 8854_SB</li> </ul>	03T1782	1
<p>Russian</p> <ul style="list-style-type: none"> <li>• MT 3063: BSG BUG</li> <li>• MT 3285: A1G</li> <li>• MT 4084: A1G</li> <li>• MT 4086: A1G A2G A3G</li> <li>• MT 4087: A2G</li> <li>• MT 7358: A2G A3G</li> <li>• MT 7373:</li> <li>• MT 7484:</li> <li>• MT 7639: A1G</li> <li>• MT 9728: A5G AGG ATG</li> </ul>	03T1786	1

Windows 7 Professional 32 SP1	FRU #	CRU
<ul style="list-style-type: none"> <li>• MT 9960:</li> <li>• MT 9965: A5G A8G</li> <li>• MT 3231, 4085, 6138, 6209, 6239, 6302, 7188, 7244, 7347, 7355, 7571, 7628, 7635, 8494, and 8854_SB</li> </ul>		
<p>Turkish</p> <ul style="list-style-type: none"> <li>• MT 3063: BSG BUG</li> <li>• MT 3285: A1G</li> <li>• MT 4084: A1G</li> <li>• MT 4086: A1G A2G A3G</li> <li>• MT 4087: A2G</li> <li>• MT 7358: A2G A3G</li> <li>• MT 7373:</li> <li>• MT 7484:</li> <li>• MT 7639: A1G</li> <li>• MT 9728: A5G AGG ATG</li> <li>• MT 9960:</li> <li>• MT 9965: A5G A8G</li> <li>• MT 3231, 4085, 6138, 6209, 6239, 6302, 7188, 7244, 7347, 7355, 7571, 7628, 7635, 8494, and 8854_SB</li> </ul>	03T1791	1
<p>Hungarian</p> <ul style="list-style-type: none"> <li>• MT 3063: BSG BUG</li> <li>• MT 3285: A1G</li> <li>• MT 4084: A1G</li> <li>• MT 4086: A1G A2G A3G</li> <li>• MT 4087: A2G</li> <li>• MT 7358: A2G A3G</li> <li>• MT 7373:</li> <li>• MT 7484:</li> <li>• MT 7639: A1G</li> <li>• MT 9728: A5G AGG ATG</li> <li>• MT 9960:</li> <li>• MT 9965: A5G A8G</li> <li>• MT 3231, 4085, 6138, 6209, 6239, 6302, 7188, 7244, 7347, 7355, 7571, 7628, 7635, 8494, and 8854_SB</li> </ul>	03T1778	1



Windows 7 Professional 32 SP1	FRU #	CRU
<p>Greek</p> <ul style="list-style-type: none"> <li>• MT 3063: BSG BUG</li> <li>• MT 3285: A1G</li> <li>• MT 4084: A1G</li> <li>• MT 4086: A1G A2G A3G</li> <li>• MT 4087: A2G</li> <li>• MT 7358: A2G A3G</li> <li>• MT 7373:</li> <li>• MT 7484:</li> <li>• MT 7639: A1G</li> <li>• MT 9728: A5G AGG ATG</li> <li>• MT 9960:</li> <li>• MT 9965: A5G A8G</li> <li>• MT 3231, 4085, 6138, 6209, 6239, 6302, 7188, 7244, 7347, 7355, 7571, 7628, 7635, 8494, and 8854_SB</li> </ul>	03T1774	1
<p>Brazilian Portuguese</p> <ul style="list-style-type: none"> <li>• MT 3063: BCP</li> <li>• MT 3285: A1G</li> <li>• MT 4084:</li> <li>• MT 4086:</li> <li>• MT 4087:</li> <li>• MT 7358:</li> <li>• MT 7373:</li> <li>• MT 7484:</li> <li>• MT 7639: A1P</li> <li>• MT 9728: A5G AGG ATG</li> <li>• MT 9960: AkP</li> <li>• MT 9965: A6P A7P</li> <li>• MT 3231, 4085, 6138, 6209, 6239, 6302, 7188, 7244, 7347, 7355, 7571, 7628, 7635, 8494, and 8854_SB</li> </ul>	03T1768	1
<p>Korean</p> <ul style="list-style-type: none"> <li>• MT 3063: BSK</li> <li>• MT 3285: A1P</li> <li>• MT 4084:</li> <li>• MT 4086:</li> <li>• MT 4087:</li> <li>• MT 7358:</li> <li>• MT 7373:</li> <li>• MT 7484:</li> <li>• MT 7639: A1K</li> <li>• MT 9728: A9P A5P</li> <li>• MT 9960:</li> <li>• MT 9965:</li> </ul>	03T1781	1

Windows 7 Professional 32 SP1	FRU #	CRU
<ul style="list-style-type: none"> <li>• MT 3231, 4085, 6138, 6209, 6239, 6302, 7188, 7244, 7347, 7355, 7571, 7628, 7635, 8494, and 8854_SB</li> </ul>		
<p>Slovenian</p> <ul style="list-style-type: none"> <li>• MT 3063: BSG BUG</li> <li>• MT 3285: A1K</li> <li>• MT 4084: A1G</li> <li>• MT 4086: A1G A2G A3G</li> <li>• MT 4087: A2G</li> <li>• MT 7358: A2G A3G</li> <li>• MT 7373:</li> <li>• MT 7484:</li> <li>• MT 7639: A1G</li> <li>• MT 9728: A5K</li> <li>• MT 9960:</li> <li>• MT 9965:</li> <li>• MT 3231, 4085, 6138, 6209, 6239, 6302, 7188, 7244, 7347, 7355, 7571, 7628, 7635, 8494, and 8854_SB</li> </ul>	03T1788	1
<p>Russian English</p> <ul style="list-style-type: none"> <li>• MT 3063: BSG BUG</li> <li>• MT 3285:</li> <li>• MT 4084: A1G</li> <li>• MT 4086: A1G A2G A3G</li> <li>• MT 4087: A2G</li> <li>• MT 7358: A2G A3G</li> <li>• MT 7373:</li> <li>• MT 7484:</li> <li>• MT 7639: A1G</li> <li>• MT 9728:</li> <li>• MT 9960:</li> <li>• MT 9965: A5G A8G</li> <li>• MT 3231, 4085, 6138, 6209, 6239, 6302, 7188, 7244, 7347, 7355, 7571, 7628, 7635, 8494, and 8854_SB</li> </ul>	03T1784	1
<p>Romanian</p> <ul style="list-style-type: none"> <li>• MT 3063: BSG BUG</li> <li>• MT 3285: A1G</li> <li>• MT 4084: A1G</li> <li>• MT 4086: A1G A2G A3G</li> <li>• MT 4087: A2G</li> <li>• MT 7358: A2G A3G</li> <li>• MT 7373:</li> <li>• MT 7484:</li> <li>• MT 7639: A1G</li> <li>• MT 9728: A5G AGG ATG</li> </ul>	03T1785	1

Windows 7 Professional 32 SP1	FRU #	CRU
<ul style="list-style-type: none"> <li>• MT 9960:</li> <li>• MT 9965: A5G A8G</li> <li>• MT 3231, 4085, 6138, 6209, 6239, 6302, 7188, 7244, 7347, 7355, 7571, 7628, 7635, 8494, and 8854_SB</li> </ul>		
<p>Serbian-Latin</p> <ul style="list-style-type: none"> <li>• MT 3063: BSG BUG</li> <li>• MT 3285: A1G</li> <li>• MT 4084: A1G</li> <li>• MT 4086: A1G A2G A3G</li> <li>• MT 4087: A2G</li> <li>• MT 7358: A2G A3G</li> <li>• MT 7373:</li> <li>• MT 7484:</li> <li>• MT 7639: A1G</li> <li>• MT 9728: A5G AGG ATG</li> <li>• MT 9960:</li> <li>• MT 9965:</li> <li>• MT 3231, 4085, 6138, 6209, 6239, 6302, 7188, 7244, 7347, 7355, 7571, 7628, 7635, 8494, and 8854_SB</li> </ul>	03T1790	1
<p>Slovakian</p> <ul style="list-style-type: none"> <li>• MT 3063: BSG BUG</li> <li>• MT 3285:</li> <li>• MT 4084: A1G</li> <li>• MT 4086: A1G A2G A3G</li> <li>• MT 4087: A2G</li> <li>• MT 7358: A2G A3G</li> <li>• MT 7373:</li> <li>• MT 7484:</li> <li>• MT 7639: A1G</li> <li>• MT 9728:</li> <li>• MT 9960:</li> <li>• MT 9965: A5G A8G</li> <li>• MT 3231, 4085, 6138, 6209, 6239, 6302, 7188, 7244, 7347, 7355, 7571, 7628, 7635, 8494, and 8854_SB</li> </ul>	03T1787	1

Windows 7 Professional 32 SP1	FRU #	CRU
<p>Arabic Localized</p> <ul style="list-style-type: none"> <li>• MT 3063: BSG BUG</li> <li>• MT 3285: A1G</li> <li>• MT 4084: A1G</li> <li>• MT 4086: A1G A2G A3G</li> <li>• MT 4087: A2G</li> <li>• MT 7358: A2G A3G</li> <li>• MT 7373:</li> <li>• MT 7484:</li> <li>• MT 7639: A1G</li> <li>• MT 9728: A5G AGG ATG</li> <li>• MT 9960:</li> <li>• MT 9965:</li> <li>• MT 3231, 4085, 6138, 6209, 6239, 6302, 7188, 7244, 7347, 7355, 7571, 7628, 7635, 8494, and 8854_SB</li> </ul>	03T1767	1
<p>Hebrew</p> <ul style="list-style-type: none"> <li>• MT 3063: BSG BUG</li> <li>• MT 3285:</li> <li>• MT 4084: A1G</li> <li>• MT 4086: A1G A2G A3G</li> <li>• MT 4087: A2G</li> <li>• MT 7358: A2G A3G</li> <li>• MT 7373:</li> <li>• MT 7484:</li> <li>• MT 7639: A1G</li> <li>• MT 9728:</li> <li>• MT 9960:</li> <li>• MT 9965: A5G A8G</li> <li>• MT 3231, 4085, 6138, 6209, 6239, 6302, 7188, 7244, 7347, 7355, 7571, 7628, 7635, 8494, and 8854_SB</li> </ul>	03T1776	1
<p>Simplified Chinese</p> <ul style="list-style-type: none"> <li>• MT 3063: BSC</li> <li>• MT 3285: A1G</li> <li>• MT 4084:</li> <li>• MT 4086:</li> <li>• MT 4087:</li> <li>• MT 7358:</li> <li>• MT 7373:</li> <li>• MT 7484:</li> <li>• MT 7639: A1C</li> <li>• MT 9728: A5G AGG ATG</li> <li>• MT 9960:</li> <li>• MT 9965:</li> </ul>	03T1769	1

Windows 7 Professional 32 SP1	FRU #	CRU
<ul style="list-style-type: none"> <li>• MT 3231, 4085, 6138, 6209, 6239, 6302, 7188, 7244, 7347, 7355, 7571, 7628, 7635, 8494, and 8854_SB</li> </ul>		
<p>Traditional Chinese</p> <ul style="list-style-type: none"> <li>• MT 3063: BSB</li> <li>• MT 3285:</li> <li>• MT 4084:</li> <li>• MT 4086:</li> <li>• MT 4087:</li> <li>• MT 7358:</li> <li>• MT 7373: EHV EJV EKV ELV EMV ENV EPV ERV ESV EWV F3V F4V</li> <li>• MT 7484: D8V D2V D3V D4V D5V D6V D7V</li> <li>• MT 7639: A1V</li> <li>• MT 9728:</li> <li>• MT 9960:</li> <li>• MT 9965:</li> <li>• MT 3231, 4085, 6138, 6209, 6239, 6302, 7188, 7244, 7347, 7355, 7571, 7628, 7635, 8494, and 8854_SB</li> </ul>	03T1770	1
<p>Hong Kong</p> <ul style="list-style-type: none"> <li>• MT 3063: BSB</li> <li>• MT 3285:</li> <li>• MT 4084:</li> <li>• MT 4086:</li> <li>• MT 4087:</li> <li>• MT 7358:</li> <li>• MT 7373:</li> <li>• MT 7484:</li> <li>• MT 7639: A1B</li> <li>• MT 9728:</li> <li>• MT 9960:</li> <li>• MT 9965:</li> <li>• MT 3231, 4085, 6138, 6209, 6239, 6302, 7188, 7244, 7347, 7355, 7571, 7628, 7635, 8494, and 8854_SB</li> </ul>	03T1777	1
<p>Portuguese</p> <ul style="list-style-type: none"> <li>• MT 3063: BSG BUG</li> <li>• MT 3285:</li> <li>• MT 4084: A1G</li> <li>• MT 4086: A1G A2G A3G</li> <li>• MT 4087: A2G</li> <li>• MT 7358: A2G A3G</li> <li>• MT 7373:</li> <li>• MT 7484:</li> <li>• MT 7639: A1G</li> <li>• MT 9728:</li> </ul>	03T1783	1

Windows 7 Professional 32 SP1	FRU #	CRU
<ul style="list-style-type: none"> <li>• MT 9960:</li> <li>• MT 9965:</li> <li>• MT 3231, 4085, 6138, 6209, 6239, 6302, 7188, 7244, 7347, 7355, 7571, 7628, 7635, 8494, and 8854_SB</li> </ul>		
<p>C&amp;L Bel Lux (EN FR GR NL)</p> <ul style="list-style-type: none"> <li>• MT 3063: BSG BUG</li> <li>• MT 3285: A1G</li> <li>• MT 4084: A1G</li> <li>• MT 4086: A1G A2G A3G</li> <li>• MT 4087: A2G</li> <li>• MT 7358: A2G A3G</li> <li>• MT 7373:</li> <li>• MT 7484:</li> <li>• MT 7639: A1G</li> <li>• MT 9728: A5G AGG ATG</li> <li>• MT 9960:</li> <li>• MT 9965:</li> <li>• MT 3231, 4085, 6138, 6209, 6239, 6302, 7188, 7244, 7347, 7355, 7571, 7628, 7635, 8494, and 8854_SB</li> </ul>	03T1793	1
<p>C&amp;L Nordics (EN DK FI NO SV)</p> <ul style="list-style-type: none"> <li>• MT 3063: BSG BUG</li> <li>• MT 3285: A1G</li> <li>• MT 4084: A1G</li> <li>• MT 4086: A1G A2G A3G</li> <li>• MT 4087: A2G</li> <li>• MT 7358: A2G A3G</li> <li>• MT 7373:</li> <li>• MT 7484:</li> <li>• MT 7639: A1G</li> <li>• MT 9728: A5G AGG ATG</li> <li>• MT 9960:</li> <li>• MT 9965:</li> <li>• MT 3231, 4085, 6138, 6209, 6239, 6302, 7188, 7244, 7347, 7355, 7571, 7628, 7635, 8494, and 8854_SB</li> </ul>	03T1794	1

Windows 7 Professional 32 SP1	FRU #	CRU
C&L Switzerland (EN FR GR IT) <ul style="list-style-type: none"> <li>• MT 3063: BSG BUG</li> <li>• MT 3285: A1G</li> <li>• MT 4084: A1G</li> <li>• MT 4086: A1G A2G A3G</li> <li>• MT 4087: A2G</li> <li>• MT 7358: A2G A3G</li> <li>• MT 7373:</li> <li>• MT 7484:</li> <li>• MT 7639: A1G</li> <li>• MT 9728: A5G AGG ATG</li> <li>• MT 9960:</li> <li>• MT 9965:</li> <li>• MT 3231, 4085, 6138, 6209, 6239, 6302, 7188, 7244, 7347, 7355, 7571, 7628, 7635, 8494, and 8854_SB</li> </ul>	03T1795	1
India English <ul style="list-style-type: none"> <li>• MT 3063:</li> <li>• MT 3285:</li> <li>• MT 4084:</li> <li>• MT 4086:</li> <li>• MT 4087:</li> <li>• MT 7358:</li> <li>• MT 7373:</li> <li>• MT 7484:</li> <li>• MT 7639:</li> <li>• MT 9728: A5G AGG ATG</li> <li>• MT 9960:</li> <li>• MT 9965: A5G A8G</li> <li>• MT 3231, 4085, 6138, 6209, 6239, 6302, 7188, 7244, 7347, 7355, 7571, 7628, 7635, 8494, and 8854_SB</li> </ul>	03T1772	1
Japanese <ul style="list-style-type: none"> <li>• MT 3063:</li> <li>• MT 3285:</li> <li>• MT 4084:</li> <li>• MT 4086:</li> <li>• MT 4087:</li> <li>• MT 7358:</li> <li>• MT 7373:</li> <li>• MT 7484:</li> <li>• MT 7639:</li> <li>• MT 9728:</li> <li>• MT 9960:</li> <li>• MT 9965:</li> </ul>	03T1780	1

Windows 7 Professional 32 SP1	FRU #	CRU
<ul style="list-style-type: none"> <li>MT 3231, 4085, 6138, 6209, 6239, 6302, 7188, 7244, 7347, 7355, 7571, 7628, 7635, 8494, and 8854_SB</li> </ul>		

## Windows 7 Professional 64 Recovery CD

Windows 7 Professional 64	FRU #	CRU
US English <ul style="list-style-type: none"> <li>MT 3063:</li> <li>MT 3285:</li> <li>MT 4084:</li> <li>MT 4086:</li> <li>MT 4087: A1G</li> <li>MT 7358:</li> <li>MT 7373: FGM</li> <li>MT 7484: D9U E2M</li> <li>MT 7639:</li> <li>MT 9728: B1G</li> <li>MT 9960:</li> <li>MT 9965: ACU</li> <li>MT 3231, 4085, 6138, 6209, 6239, 6302, 7188, 7244, 7347, 7355, 7571, 7628, 7635, 8494, and 8854_SB</li> </ul>	71Y8366	1
French <ul style="list-style-type: none"> <li>MT 3063:</li> <li>MT 3285:</li> <li>MT 4084:</li> <li>MT 4086:</li> <li>MT 4087: A1G</li> <li>MT 7358:</li> <li>MT 7373:</li> <li>MT 7484: D9F</li> <li>MT 7639:</li> <li>MT 9728: B1G</li> <li>MT 9960:</li> <li>MT 9965: ACF</li> <li>MT 3231, 4085, 6138, 6209, 6239, 6302, 7188, 7244, 7347, 7355, 7571, 7628, 7635, 8494, and 8854_SB</li> </ul>	71Y8360	1



Windows 7 Professional 64	FRU #	CRU
German <ul style="list-style-type: none"> <li>• MT 3063:</li> <li>• MT 3285:</li> <li>• MT 4084:</li> <li>• MT 4086:</li> <li>• MT 4087: A1G</li> <li>• MT 7358:</li> <li>• MT 7373:</li> <li>• MT 7484:</li> <li>• MT 7639:</li> <li>• MT 9728: B1G</li> <li>• MT 9960:</li> <li>• MT 9965:</li> <li>• MT 3231, 4085, 6138, 6209, 6239, 6302, 7188, 7244, 7347, 7355, 7571, 7628, 7635, 8494, and 8854_SB</li> </ul>	71Y8361	1
Spanish <ul style="list-style-type: none"> <li>• MT 3063:</li> <li>• MT 3285:</li> <li>• MT 4084:</li> <li>• MT 4086:</li> <li>• MT 4087: A1G</li> <li>• MT 7358:</li> <li>• MT 7373:</li> <li>• MT 7484:</li> <li>• MT 7639:</li> <li>• MT 9728: B1G</li> <li>• MT 9960:</li> <li>• MT 9965:</li> <li>• MT 3231, 4085, 6138, 6209, 6239, 6302, 7188, 7244, 7347, 7355, 7571, 7628, 7635, 8494, and 8854_SB</li> </ul>	71Y8365	1
Italian <ul style="list-style-type: none"> <li>• MT 3063:</li> <li>• MT 3285:</li> <li>• MT 4084:</li> <li>• MT 4086:</li> <li>• MT 4087: A1G</li> <li>• MT 7358:</li> <li>• MT 7373:</li> <li>• MT 7484:</li> <li>• MT 7639:</li> <li>• MT 9728: B1G</li> <li>• MT 9960:</li> <li>• MT 9965:</li> </ul>	71Y8363	1

Windows 7 Professional 64	FRU #	CRU
<ul style="list-style-type: none"> <li>• MT 3231, 4085, 6138, 6209, 6239, 6302, 7188, 7244, 7347, 7355, 7571, 7628, 7635, 8494, and 8854_SB</li> </ul>		
Brazilian Portuguese <ul style="list-style-type: none"> <li>• MT 3063:</li> <li>• MT 3285:</li> <li>• MT 4084:</li> <li>• MT 4086:</li> <li>• MT 4087:</li> <li>• MT 7358:</li> <li>• MT 7373:</li> <li>• MT 7484:</li> <li>• MT 7639:</li> <li>• MT 9728:</li> <li>• MT 9960:</li> <li>• MT 9965:</li> <li>• MT 3231, 4085, 6138, 6209, 6239, 6302, 7188, 7244, 7347, 7355, 7571, 7628, 7635, 8494, and 8854_SB</li> </ul>	71Y8357	1
Simplified Chinese <ul style="list-style-type: none"> <li>• MT 3063:</li> <li>• MT 3285:</li> <li>• MT 4084:</li> <li>• MT 4086:</li> <li>• MT 4087:</li> <li>• MT 7358:</li> <li>• MT 7373:</li> <li>• MT 7484:</li> <li>• MT 7639:</li> <li>• MT 9728:</li> <li>• MT 9960:</li> <li>• MT 9965:</li> <li>• MT 3231, 4085, 6138, 6209, 6239, 6302, 7188, 7244, 7347, 7355, 7571, 7628, 7635, 8494, and 8854_SB</li> </ul>	71Y8358	1
Traditional Chinese <ul style="list-style-type: none"> <li>• MT 3063:</li> <li>• MT 3285:</li> <li>• MT 4084:</li> <li>• MT 4086:</li> <li>• MT 4087:</li> <li>• MT 7358:</li> <li>• MT 7373:</li> <li>• MT 7484:</li> <li>• MT 7639:</li> <li>• MT 9728:</li> </ul>	71Y8359	1

Windows 7 Professional 64	FRU #	CRU
<ul style="list-style-type: none"> <li>• MT 9960:</li> <li>• MT 9965:</li> <li>• MT 3231, 4085, 6138, 6209, 6239, 6302, 7188, 7244, 7347, 7355, 7571, 7628, 7635, 8494, and 8854_SB</li> </ul>		
<p>Hong Kong</p> <ul style="list-style-type: none"> <li>• MT 3063:</li> <li>• MT 3285:</li> <li>• MT 4084:</li> <li>• MT 4086:</li> <li>• MT 4087:</li> <li>• MT 7358:</li> <li>• MT 7373:</li> <li>• MT 7484:</li> <li>• MT 7639:</li> <li>• MT 9728:</li> <li>• MT 9960:</li> <li>• MT 9965:</li> <li>• MT 3231, 4085, 6138, 6209, 6239, 6302, 7188, 7244, 7347, 7355, 7571, 7628, 7635, 8494, and 8854_SB</li> </ul>	71Y8362	1
<p>Japan</p> <ul style="list-style-type: none"> <li>• MT 3063:</li> <li>• MT 3285:</li> <li>• MT 4084:</li> <li>• MT 4086:</li> <li>• MT 4087:</li> <li>• MT 7358:</li> <li>• MT 7373:</li> <li>• MT 7484:</li> <li>• MT 7639:</li> <li>• MT 9728:</li> <li>• MT 9960:</li> <li>• MT 9965:</li> <li>• MT 3231, 4085, 6138, 6209, 6239, 6302, 7188, 7244, 7347, 7355, 7571, 7628, 7635, 8494, and 8854_SB</li> </ul>	71Y8364	1

Windows 7 Professional 64	FRU #	CRU
C&L Nordics (EN DK FI NO SV) <ul style="list-style-type: none"> <li>• MT 3063:</li> <li>• MT 3285:</li> <li>• MT 4084:</li> <li>• MT 4086:</li> <li>• MT 4087:</li> <li>• MT 7358:</li> <li>• MT 7373:</li> <li>• MT 7484:</li> <li>• MT 7639:</li> <li>• MT 9728: B1G</li> <li>• MT 9960:</li> <li>• MT 9965:</li> <li>• MT 3231, 4085, 6138, 6209, 6239, 6302, 7188, 7244, 7347, 7355, 7571, 7628, 7635, 8494, and 8854_SB</li> </ul>	71Y8367	1
Switzerland (EN FR GR IT) <ul style="list-style-type: none"> <li>• MT 3063:</li> <li>• MT 3285:</li> <li>• MT 4084:</li> <li>• MT 4086:</li> <li>• MT 4087:</li> <li>• MT 7358:</li> <li>• MT 7373:</li> <li>• MT 7484:</li> <li>• MT 7639:</li> <li>• MT 9728: B1G</li> <li>• MT 9960:</li> <li>• MT 9965:</li> <li>• MT 3231, 4085, 6138, 6209, 6239, 6302, 7188, 7244, 7347, 7355, 7571, 7628, 7635, 8494, and 8854_SB</li> </ul>	71Y8368	1
India English <ul style="list-style-type: none"> <li>• MT 3063:</li> <li>• MT 3285:</li> <li>• MT 4084:</li> <li>• MT 4086:</li> <li>• MT 4087: A1G</li> <li>• MT 7358:</li> <li>• MT 7373:</li> <li>• MT 7484:</li> <li>• MT 7639:</li> <li>• MT 9728: B1G</li> <li>• MT 9960:</li> <li>• MT 9965:</li> </ul>	71Y8652	1

Windows 7 Professional 64	FRU #	CRU
<ul style="list-style-type: none"> <li>• MT 3231, 4085, 6138, 6209, 6239, 6302, 7188, 7244, 7347, 7355, 7571, 7628, 7635, 8494, and 8854_SB</li> </ul>		
<p>Arabic</p> <ul style="list-style-type: none"> <li>• MT 3063:</li> <li>• MT 3285:</li> <li>• MT 4084:</li> <li>• MT 4086:</li> <li>• MT 4087: A1G</li> <li>• MT 7358:</li> <li>• MT 7373:</li> <li>• MT 7484:</li> <li>• MT 7639:</li> <li>• MT 9728: B1G</li> <li>• MT 9960:</li> <li>• MT 9965:</li> <li>• MT 3231, 4085, 6138, 6209, 6239, 6302, 7188, 7244, 7347, 7355, 7571, 7628, 7635, 8494, and 8854_SB</li> </ul>	03T5963	1
<p>Czech</p> <ul style="list-style-type: none"> <li>• MT 3063:</li> <li>• MT 3285:</li> <li>• MT 4084:</li> <li>• MT 4086:</li> <li>• MT 4087: A1G</li> <li>• MT 7358:</li> <li>• MT 7373:</li> <li>• MT 7484:</li> <li>• MT 7639:</li> <li>• MT 9728: B1G</li> <li>• MT 9960:</li> <li>• MT 9965:</li> <li>• MT 3231, 4085, 6138, 6209, 6239, 6302, 7188, 7244, 7347, 7355, 7571, 7628, 7635, 8494, and 8854_SB</li> </ul>	03T5964	1
<p>Greek</p> <ul style="list-style-type: none"> <li>• MT 3063:</li> <li>• MT 3285:</li> <li>• MT 4084:</li> <li>• MT 4086:</li> <li>• MT 4087: A1G</li> <li>• MT 7358:</li> <li>• MT 7373:</li> <li>• MT 7484:</li> <li>• MT 7639:</li> <li>• MT 9728: B1G</li> </ul>	03T5965	1

Windows 7 Professional 64	FRU #	CRU
<ul style="list-style-type: none"> <li>• MT 9960:</li> <li>• MT 9965:</li> <li>• MT 3231, 4085, 6138, 6209, 6239, 6302, 7188, 7244, 7347, 7355, 7571, 7628, 7635, 8494, and 8854_SB</li> </ul>		
<p>Hebrew</p> <ul style="list-style-type: none"> <li>• MT 3063:</li> <li>• MT 3285:</li> <li>• MT 4084:</li> <li>• MT 4086:</li> <li>• MT 4087: A1G</li> <li>• MT 7358:</li> <li>• MT 7373:</li> <li>• MT 7484:</li> <li>• MT 7639:</li> <li>• MT 9728: B1G</li> <li>• MT 9960:</li> <li>• MT 9965:</li> <li>• MT 3231, 4085, 6138, 6209, 6239, 6302, 7188, 7244, 7347, 7355, 7571, 7628, 7635, 8494, and 8854_SB</li> </ul>	03T5966	1
<p>Polish</p> <ul style="list-style-type: none"> <li>• MT 3063:</li> <li>• MT 3285:</li> <li>• MT 4084:</li> <li>• MT 4086:</li> <li>• MT 4087: A1G</li> <li>• MT 7358:</li> <li>• MT 7373:</li> <li>• MT 7484:</li> <li>• MT 7639:</li> <li>• MT 9728: B1G</li> <li>• MT 9960:</li> <li>• MT 9965:</li> <li>• MT 3231, 4085, 6138, 6209, 6239, 6302, 7188, 7244, 7347, 7355, 7571, 7628, 7635, 8494, and 8854_SB</li> </ul>	03T5967	1

Windows 7 Professional 64	FRU #	CRU
Portuguese <ul style="list-style-type: none"> <li>• MT 3063:</li> <li>• MT 3285:</li> <li>• MT 4084:</li> <li>• MT 4086:</li> <li>• MT 4087: A1G</li> <li>• MT 7358:</li> <li>• MT 7373:</li> <li>• MT 7484:</li> <li>• MT 7639:</li> <li>• MT 9728: B1G</li> <li>• MT 9960:</li> <li>• MT 9965:</li> <li>• MT 3231, 4085, 6138, 6209, 6239, 6302, 7188, 7244, 7347, 7355, 7571, 7628, 7635, 8494, and 8854_SB</li> </ul>	03T5968	1
Romanian <ul style="list-style-type: none"> <li>• MT 3063:</li> <li>• MT 3285:</li> <li>• MT 4084:</li> <li>• MT 4086:</li> <li>• MT 4087: A1G</li> <li>• MT 7358:</li> <li>• MT 7373:</li> <li>• MT 7484:</li> <li>• MT 7639:</li> <li>• MT 9728: B1G</li> <li>• MT 9960:</li> <li>• MT 9965:</li> <li>• MT 3231, 4085, 6138, 6209, 6239, 6302, 7188, 7244, 7347, 7355, 7571, 7628, 7635, 8494, and 8854_SB</li> </ul>	03T5969	1
Russian <ul style="list-style-type: none"> <li>• MT 3063:</li> <li>• MT 3285:</li> <li>• MT 4084:</li> <li>• MT 4086:</li> <li>• MT 4087:</li> <li>• MT 7358:</li> <li>• MT 7373:</li> <li>• MT 7484:</li> <li>• MT 7639:</li> <li>• MT 9728: B1G</li> <li>• MT 9960:</li> <li>• MT 9965:</li> </ul>	03T0491	1

Windows 7 Professional 64	FRU #	CRU
<ul style="list-style-type: none"> <li>• MT 3231, 4085, 6138, 6209, 6239, 6302, 7188, 7244, 7347, 7355, 7571, 7628, 7635, 8494, and 8854_SB</li> </ul>		
Slovakian <ul style="list-style-type: none"> <li>• MT 3063:</li> <li>• MT 3285:</li> <li>• MT 4084:</li> <li>• MT 4086:</li> <li>• MT 4087: A1G</li> <li>• MT 7358:</li> <li>• MT 7373:</li> <li>• MT 7484:</li> <li>• MT 7639:</li> <li>• MT 9728: B1G</li> <li>• MT 9960:</li> <li>• MT 9965:</li> <li>• MT 3231, 4085, 6138, 6209, 6239, 6302, 7188, 7244, 7347, 7355, 7571, 7628, 7635, 8494, and 8854_SB</li> </ul>	03T5970	1
Slovenian <ul style="list-style-type: none"> <li>• MT 3063:</li> <li>• MT 3285:</li> <li>• MT 4084:</li> <li>• MT 4086:</li> <li>• MT 4087: A1G</li> <li>• MT 7358:</li> <li>• MT 7373:</li> <li>• MT 7484:</li> <li>• MT 7639:</li> <li>• MT 9728: B1G</li> <li>• MT 9960:</li> <li>• MT 9965:</li> <li>• MT 3231, 4085, 6138, 6209, 6239, 6302, 7188, 7244, 7347, 7355, 7571, 7628, 7635, 8494, and 8854_SB</li> </ul>	03T5971	1
Serbian-Latin <ul style="list-style-type: none"> <li>• MT 3063:</li> <li>• MT 3285:</li> <li>• MT 4084:</li> <li>• MT 4086:</li> <li>• MT 4087: A1G</li> <li>• MT 7358:</li> <li>• MT 7373:</li> <li>• MT 7484:</li> <li>• MT 7639:</li> <li>• MT 9728: B1G</li> </ul>	03T5972	1



Windows 7 Professional 64	FRU #	CRU
<ul style="list-style-type: none"> <li>• MT 9960:</li> <li>• MT 9965:</li> <li>• MT 3231, 4085, 6138, 6209, 6239, 6302, 7188, 7244, 7347, 7355, 7571, 7628, 7635, 8494, and 8854_SB</li> </ul>		
Turkish <ul style="list-style-type: none"> <li>• MT 3063:</li> <li>• MT 3285:</li> <li>• MT 4084:</li> <li>• MT 4086:</li> <li>• MT 4087: A1G</li> <li>• MT 7358:</li> <li>• MT 7373:</li> <li>• MT 7484:</li> <li>• MT 7639:</li> <li>• MT 9728: B1G</li> <li>• MT 9960:</li> <li>• MT 9965:</li> <li>• MT 3231, 4085, 6138, 6209, 6239, 6302, 7188, 7244, 7347, 7355, 7571, 7628, 7635, 8494, and 8854_SB</li> </ul>	03T5973	1

### Windows 7 Professional 64 SP1 Recovery CD

Windows 7 Professional 64 SP1	FRU #	CRU
US English <ul style="list-style-type: none"> <li>• MT 3063:</li> <li>• MT 3285:</li> <li>• MT 4084:</li> <li>• MT 4086:</li> <li>• MT 4087: A1G</li> <li>• MT 7358:</li> <li>• MT 7373: FGM</li> <li>• MT 7484: D9U E2M</li> <li>• MT 7639:</li> <li>• MT 9728: B1G</li> <li>• MT 9960:</li> <li>• MT 9965: ACU</li> <li>• MT 3231, 4085, 6138, 6209, 6239, 6302, 7188, 7244, 7347, 7355, 7571, 7628, 7635, 8494, and 8854_SB</li> </ul>	03T1845	1
French <ul style="list-style-type: none"> <li>• MT 3063:</li> <li>• MT 3285:</li> <li>• MT 4084:</li> <li>• MT 4086:</li> </ul>	03T1829	1

Windows 7 Professional 64 SP1	FRU #	CRU
<ul style="list-style-type: none"> <li>• MT 4087: A1G</li> <li>• MT 7358:</li> <li>• MT 7373:</li> <li>• MT 7484: D9F</li> <li>• MT 7639:</li> <li>• MT 9728: B1G</li> <li>• MT 9960:</li> <li>• MT 9965: ACF</li> <li>• MT 3231, 4085, 6138, 6209, 6239, 6302, 7188, 7244, 7347, 7355, 7571, 7628, 7635, 8494, and 8854_SB</li> </ul>		
<p>German</p> <ul style="list-style-type: none"> <li>• MT 3063:</li> <li>• MT 3285:</li> <li>• MT 4084:</li> <li>• MT 4086:</li> <li>• MT 4087: A1G</li> <li>• MT 7358:</li> <li>• MT 7373:</li> <li>• MT 7484:</li> <li>• MT 7639:</li> <li>• MT 9728: B1G</li> <li>• MT 9960:</li> <li>• MT 9965:</li> <li>• MT 3231, 4085, 6138, 6209, 6239, 6302, 7188, 7244, 7347, 7355, 7571, 7628, 7635, 8494, and 8854_SB</li> </ul>	03T1831	1
<p>Spanish</p> <ul style="list-style-type: none"> <li>• MT 3063:</li> <li>• MT 3285:</li> <li>• MT 4084:</li> <li>• MT 4086:</li> <li>• MT 4087: A1G</li> <li>• MT 7358:</li> <li>• MT 7373:</li> <li>• MT 7484:</li> <li>• MT 7639:</li> <li>• MT 9728: B1G</li> <li>• MT 9960:</li> <li>• MT 9965:</li> <li>• MT 3231, 4085, 6138, 6209, 6239, 6302, 7188, 7244, 7347, 7355, 7571, 7628, 7635, 8494, and 8854_SB</li> </ul>	03T1842	1

Windows 7 Professional 64 SP1	FRU #	CRU
Italian <ul style="list-style-type: none"> <li>• MT 3063:</li> <li>• MT 3285:</li> <li>• MT 4084:</li> <li>• MT 4086:</li> <li>• MT 4087: A1G</li> <li>• MT 7358:</li> <li>• MT 7373:</li> <li>• MT 7484:</li> <li>• MT 7639:</li> <li>• MT 9728: B1G</li> <li>• MT 9960:</li> <li>• MT 9965:</li> <li>• MT 3231, 4085, 6138, 6209, 6239, 6302, 7188, 7244, 7347, 7355, 7571, 7628, 7635, 8494, and 8854_SB</li> </ul>	03T1834	1
Brazilian Portuguese <ul style="list-style-type: none"> <li>• MT 3063:</li> <li>• MT 3285:</li> <li>• MT 4084:</li> <li>• MT 4086:</li> <li>• MT 4087:</li> <li>• MT 7358:</li> <li>• MT 7373:</li> <li>• MT 7484:</li> <li>• MT 7639:</li> <li>• MT 9728:</li> <li>• MT 9960:</li> <li>• MT 9965:</li> <li>• MT 3231, 4085, 6138, 6209, 6239, 6302, 7188, 7244, 7347, 7355, 7571, 7628, 7635, 8494, and 8854_SB</li> </ul>	03T1824	1
Simplified Chinese <ul style="list-style-type: none"> <li>• MT 3063:</li> <li>• MT 3285:</li> <li>• MT 4084:</li> <li>• MT 4086:</li> <li>• MT 4087:</li> <li>• MT 7358:</li> <li>• MT 7373:</li> <li>• MT 7484:</li> <li>• MT 7639:</li> <li>• MT 9728:</li> <li>• MT 9960:</li> <li>• MT 9965:</li> </ul>	03T1825	1

Windows 7 Professional 64 SP1	FRU #	CRU
<ul style="list-style-type: none"> <li>• MT 3231, 4085, 6138, 6209, 6239, 6302, 7188, 7244, 7347, 7355, 7571, 7628, 7635, 8494, and 8854_SB</li> </ul>		
<p>Traditional Chinese</p> <ul style="list-style-type: none"> <li>• MT 3063:</li> <li>• MT 3285:</li> <li>• MT 4084:</li> <li>• MT 4086:</li> <li>• MT 4087:</li> <li>• MT 7358:</li> <li>• MT 7373:</li> <li>• MT 7484:</li> <li>• MT 7639:</li> <li>• MT 9728:</li> <li>• MT 9960:</li> <li>• MT 9965:</li> <li>• MT 3231, 4085, 6138, 6209, 6239, 6302, 7188, 7244, 7347, 7355, 7571, 7628, 7635, 8494, and 8854_SB</li> </ul>	03T1826	1
<p>Hong Kong</p> <ul style="list-style-type: none"> <li>• MT 3063:</li> <li>• MT 3285:</li> <li>• MT 4084:</li> <li>• MT 4086:</li> <li>• MT 4087:</li> <li>• MT 7358:</li> <li>• MT 7373:</li> <li>• MT 7484:</li> <li>• MT 7639:</li> <li>• MT 9728:</li> <li>• MT 9960:</li> <li>• MT 9965:</li> <li>• MT 3231, 4085, 6138, 6209, 6239, 6302, 7188, 7244, 7347, 7355, 7571, 7628, 7635, 8494, and 8854_SB</li> </ul>	03T1832	1
<p>C&amp;L Nordics (EN DK FI NO SV)</p> <ul style="list-style-type: none"> <li>• MT 3063:</li> <li>• MT 3285:</li> <li>• MT 4084:</li> <li>• MT 4086:</li> <li>• MT 4087: A1G</li> <li>• MT 7358:</li> <li>• MT 7373:</li> <li>• MT 7484:</li> <li>• MT 7639:</li> <li>• MT 9728: B1G</li> </ul>	03T1846	1

Windows 7 Professional 64 SP1	FRU #	CRU
<ul style="list-style-type: none"> <li>• MT 9960:</li> <li>• MT 9965:</li> <li>• MT 3231, 4085, 6138, 6209, 6239, 6302, 7188, 7244, 7347, 7355, 7571, 7628, 7635, 8494, and 8854_SB</li> </ul>		
Switzerland (EN FR GR IT) <ul style="list-style-type: none"> <li>• MT 3063:</li> <li>• MT 3285:</li> <li>• MT 4084:</li> <li>• MT 4086:</li> <li>• MT 4087: A1G</li> <li>• MT 7358:</li> <li>• MT 7373:</li> <li>• MT 7484:</li> <li>• MT 7639:</li> <li>• MT 9728: B1G</li> <li>• MT 9960:</li> <li>• MT 9965:</li> <li>• MT 3231, 4085, 6138, 6209, 6239, 6302, 7188, 7244, 7347, 7355, 7571, 7628, 7635, 8494, and 8854_SB</li> </ul>	03T1847	1
India English <ul style="list-style-type: none"> <li>• MT 3063:</li> <li>• MT 3285:</li> <li>• MT 4084:</li> <li>• MT 4086:</li> <li>• MT 4087: A1G</li> <li>• MT 7358:</li> <li>• MT 7373:</li> <li>• MT 7484:</li> <li>• MT 7639:</li> <li>• MT 9728: B1G</li> <li>• MT 9960:</li> <li>• MT 9965:</li> <li>• MT 3231, 4085, 6138, 6209, 6239, 6302, 7188, 7244, 7347, 7355, 7571, 7628, 7635, 8494, and 8854_SB</li> </ul>	03T1828	1

Windows 7 Professional 64 SP1	FRU #	CRU
<p>Arabic</p> <ul style="list-style-type: none"> <li>• MT 3063:</li> <li>• MT 3285:</li> <li>• MT 4084:</li> <li>• MT 4086:</li> <li>• MT 4087: A1G</li> <li>• MT 7358:</li> <li>• MT 7373:</li> <li>• MT 7484:</li> <li>• MT 7639:</li> <li>• MT 9728: B1G</li> <li>• MT 9960:</li> <li>• MT 9965:</li> <li>• MT 3231, 4085, 6138, 6209, 6239, 6302, 7188, 7244, 7347, 7355, 7571, 7628, 7635, 8494, and 8854_SB</li> </ul>	03T1823	1
<p>Czech</p> <ul style="list-style-type: none"> <li>• MT 3063:</li> <li>• MT 3285:</li> <li>• MT 4084:</li> <li>• MT 4086:</li> <li>• MT 4087: A1G</li> <li>• MT 7358:</li> <li>• MT 7373:</li> <li>• MT 7484:</li> <li>• MT 7639:</li> <li>• MT 9728: B1G</li> <li>• MT 9960:</li> <li>• MT 9965:</li> <li>• MT 3231, 4085, 6138, 6209, 6239, 6302, 7188, 7244, 7347, 7355, 7571, 7628, 7635, 8494, and 8854_SB</li> </ul>	03T1827	1
<p>Greek</p> <ul style="list-style-type: none"> <li>• MT 3063:</li> <li>• MT 3285:</li> <li>• MT 4084:</li> <li>• MT 4086:</li> <li>• MT 4087: A1G</li> <li>• MT 7358:</li> <li>• MT 7373:</li> <li>• MT 7484:</li> <li>• MT 7639:</li> <li>• MT 9728: B1G</li> <li>• MT 9960:</li> <li>• MT 9965:</li> </ul>	03T1830	1

Windows 7 Professional 64 SP1	FRU #	CRU
<ul style="list-style-type: none"> <li>• MT 3231, 4085, 6138, 6209, 6239, 6302, 7188, 7244, 7347, 7355, 7571, 7628, 7635, 8494, and 8854_SB</li> </ul>		
<p>Hebrew</p> <ul style="list-style-type: none"> <li>• MT 3063:</li> <li>• MT 3285:</li> <li>• MT 4084:</li> <li>• MT 4086:</li> <li>• MT 4087: A1G</li> <li>• MT 7358:</li> <li>• MT 7373:</li> <li>• MT 7484:</li> <li>• MT 7639:</li> <li>• MT 9728: B1G</li> <li>• MT 9960:</li> <li>• MT 9965:</li> <li>• MT 3231, 4085, 6138, 6209, 6239, 6302, 7188, 7244, 7347, 7355, 7571, 7628, 7635, 8494, and 8854_SB</li> </ul>	03T1833	1
<p>Polish</p> <ul style="list-style-type: none"> <li>• MT 3063:</li> <li>• MT 3285:</li> <li>• MT 4084:</li> <li>• MT 4086:</li> <li>• MT 4087: A1G</li> <li>• MT 7358:</li> <li>• MT 7373:</li> <li>• MT 7484:</li> <li>• MT 7639:</li> <li>• MT 9728: B1G</li> <li>• MT 9960:</li> <li>• MT 9965:</li> <li>• MT 3231, 4085, 6138, 6209, 6239, 6302, 7188, 7244, 7347, 7355, 7571, 7628, 7635, 8494, and 8854_SB</li> </ul>	03T1836	1
<p>Portuguese</p> <ul style="list-style-type: none"> <li>• MT 3063:</li> <li>• MT 3285:</li> <li>• MT 4084:</li> <li>• MT 4086:</li> <li>• MT 4087: A1G</li> <li>• MT 7358:</li> <li>• MT 7373:</li> <li>• MT 7484:</li> <li>• MT 7639:</li> <li>• MT 9728: B1G</li> </ul>	03T1837	1

Windows 7 Professional 64 SP1	FRU #	CRU
<ul style="list-style-type: none"> <li>• MT 9960:</li> <li>• MT 9965:</li> <li>• MT 3231, 4085, 6138, 6209, 6239, 6302, 7188, 7244, 7347, 7355, 7571, 7628, 7635, 8494, and 8854_SB</li> </ul>		
Romanian <ul style="list-style-type: none"> <li>• MT 3063:</li> <li>• MT 3285:</li> <li>• MT 4084:</li> <li>• MT 4086:</li> <li>• MT 4087: A1G</li> <li>• MT 7358:</li> <li>• MT 7373:</li> <li>• MT 7484:</li> <li>• MT 7639:</li> <li>• MT 9728: B1G</li> <li>• MT 9960:</li> <li>• MT 9965:</li> <li>• MT 3231, 4085, 6138, 6209, 6239, 6302, 7188, 7244, 7347, 7355, 7571, 7628, 7635, 8494, and 8854_SB</li> </ul>	03T1838	1
Russian <ul style="list-style-type: none"> <li>• MT 3063:</li> <li>• MT 3285:</li> <li>• MT 4084:</li> <li>• MT 4086:</li> <li>• MT 4087:</li> <li>• MT 7358:</li> <li>• MT 7373:</li> <li>• MT 7484:</li> <li>• MT 7639:</li> <li>• MT 9728: B1G</li> <li>• MT 9960:</li> <li>• MT 9965:</li> <li>• MT 3231, 4085, 6138, 6209, 6239, 6302, 7188, 7244, 7347, 7355, 7571, 7628, 7635, 8494, and 8854_SB</li> </ul>	03T1839	1



Windows 7 Professional 64 SP1	FRU #	CRU
Slovakian <ul style="list-style-type: none"> <li>• MT 3063:</li> <li>• MT 3285:</li> <li>• MT 4084:</li> <li>• MT 4086:</li> <li>• MT 4087: A1G</li> <li>• MT 7358:</li> <li>• MT 7373:</li> <li>• MT 7484:</li> <li>• MT 7639:</li> <li>• MT 9728: B1G</li> <li>• MT 9960:</li> <li>• MT 9965:</li> <li>• MT 3231, 4085, 6138, 6209, 6239, 6302, 7188, 7244, 7347, 7355, 7571, 7628, 7635, 8494, and 8854_SB</li> </ul>	03T1840	1
Slovenian <ul style="list-style-type: none"> <li>• MT 3063:</li> <li>• MT 3285:</li> <li>• MT 4084:</li> <li>• MT 4086:</li> <li>• MT 4087: A1G</li> <li>• MT 7358:</li> <li>• MT 7373:</li> <li>• MT 7484:</li> <li>• MT 7639:</li> <li>• MT 9728: B1G</li> <li>• MT 9960:</li> <li>• MT 9965:</li> <li>• MT 3231, 4085, 6138, 6209, 6239, 6302, 7188, 7244, 7347, 7355, 7571, 7628, 7635, 8494, and 8854_SB</li> </ul>	03T1841	1
Serbian-Latin <ul style="list-style-type: none"> <li>• MT 3063:</li> <li>• MT 3285:</li> <li>• MT 4084:</li> <li>• MT 4086:</li> <li>• MT 4087: A1G</li> <li>• MT 7358:</li> <li>• MT 7373:</li> <li>• MT 7484:</li> <li>• MT 7639:</li> <li>• MT 9728: B1G</li> <li>• MT 9960:</li> <li>• MT 9965:</li> </ul>	03T1843	1

Windows 7 Professional 64 SP1	FRU #	CRU
<ul style="list-style-type: none"> <li>MT 3231, 4085, 6138, 6209, 6239, 6302, 7188, 7244, 7347, 7355, 7571, 7628, 7635, 8494, and 8854_SB</li> </ul>		
<p>Turkish</p> <ul style="list-style-type: none"> <li>MT 3063:</li> <li>MT 3285:</li> <li>MT 4084:</li> <li>MT 4086:</li> <li>MT 4087: A1G</li> <li>MT 7358:</li> <li>MT 7373:</li> <li>MT 7484:</li> <li>MT 7639:</li> <li>MT 9728: B1G</li> <li>MT 9960:</li> <li>MT 9965:</li> <li>MT 3231, 4085, 6138, 6209, 6239, 6302, 7188, 7244, 7347, 7355, 7571, 7628, 7635, 8494, and 8854_SB</li> </ul>	03T1844	1
<p>Japanese</p> <ul style="list-style-type: none"> <li>MT 3063:</li> <li>MT 3285:</li> <li>MT 4084:</li> <li>MT 4086:</li> <li>MT 4087:</li> <li>MT 7358:</li> <li>MT 7373:</li> <li>MT 7484:</li> <li>MT 7639:</li> <li>MT 9728:</li> <li>MT 9960:</li> <li>MT 9965:</li> <li>MT 3231, 4085, 6138, 6209, 6239, 6302, 7188, 7244, 7347, 7355, 7571, 7628, 7635, 8494, and 8854_SB</li> </ul>	03T1835	1

## Windows 7 Ultimate 32 SP1 Recovery CD

Windows 7 Ultimate 32 SP1	FRU #	CRU
<p>Chinese Traditional</p> <ul style="list-style-type: none"> <li>MT 3063:</li> <li>MT 3285:</li> <li>MT 4084:</li> <li>MT 4086:</li> <li>MT 4087:</li> <li>MT 7358:</li> </ul>	03T1848	1

Windows 7 Ultimate 32 SP1	FRU #	CRU
<ul style="list-style-type: none"> <li>• MT 7373:</li> <li>• MT 7484:</li> <li>• MT 7639:</li> <li>• MT 9728:</li> <li>• MT 9960:</li> <li>• MT 9965:</li> <li>• MT 3231, 4085, 6138, 6209, 6239, 6302, 7188, 7244, 7347, 7355, 7571, 7628, 7635, 8494, and 8854_SB</li> </ul>		
US English <ul style="list-style-type: none"> <li>• MT 3063:</li> <li>• MT 3285:</li> <li>• MT 4084:</li> <li>• MT 4086:</li> <li>• MT 4087:</li> <li>• MT 7358:</li> <li>• MT 7373:</li> <li>• MT 7484:</li> <li>• MT 7639:</li> <li>• MT 9728:</li> <li>• MT 9960:</li> <li>• MT 9965:</li> <li>• MT 3231, 4085, 6138, 6209, 6239, 6302, 7188, 7244, 7347, 7355, 7571, 7628, 7635, 8494, and 8854_SB</li> </ul>	03T1849	1

### Windows 7 Ultimate 64 SP1 Recovery CD

Windows 7 Ultimate 64 SP1	FRU #	CRU
US English <ul style="list-style-type: none"> <li>• MT 3063:</li> <li>• MT 3285:</li> <li>• MT 4084:</li> <li>• MT 4086:</li> <li>• MT 4087:</li> <li>• MT 7358:</li> <li>• MT 7373:</li> <li>• MT 7484:</li> <li>• MT 7639:</li> <li>• MT 9728:</li> <li>• MT 9960:</li> <li>• MT 9965:</li> <li>• MT 3231, 4085, 6138, 6209, 6239, 6302, 7188, 7244, 7347, 7355, 7571, 7628, 7635, 8494, and 8854._SB</li> </ul>	03T1850	1

## Windows Vista Ultimate 32 Recovery CD

**Note:** The Windows Vista recovery DVDs are available only for models with a valid Microsoft Windows Vista certificate of authenticity (COA) affixed to the system. Due to a Microsoft licensing limitation, if a model came with Windows Vista Business or Windows Vista Ultimate preinstalled from the factory, but has a Windows 7 COA affixed to the system, that model is eligible only for recovery DVDs that match the operating system specified on the COA.

Windows Vista Ultimate 32	FRU #	CRU
US English <ul style="list-style-type: none"> <li>• MT 3063:</li> <li>• MT 3285:</li> <li>• MT 4084:</li> <li>• MT 4086:</li> <li>• MT 4087:</li> <li>• MT 7358:</li> <li>• MT 7373:</li> <li>• MT 7484:</li> <li>• MT 7639:</li> <li>• MT 9728:</li> <li>• MT 9960:</li> <li>• MT 9965:</li> <li>• MT 3231, 4085, 6138, 6209, 6239, 6302, 7188, 7244, 7347, 7355, 7571, 7628, 7635, 8494, and 8854_SB</li> </ul>	71Y9930	1
Japanese <ul style="list-style-type: none"> <li>• MT 3063:</li> <li>• MT 3285:</li> <li>• MT 4084:</li> <li>• MT 4086:</li> <li>• MT 4087:</li> <li>• MT 7358:</li> <li>• MT 7373:</li> <li>• MT 7484:</li> <li>• MT 7639:</li> <li>• MT 9728:</li> <li>• MT 9960:</li> <li>• MT 9965:</li> <li>• MT 3231, 4085, 6138, 6209, 6239, 6302, 7188, 7244, 7347, 7355, 7571, 7628, 7635, 8494, and 8854_SB</li> </ul>	64Y6261	1

Windows Vista Ultimate 32	FRU #	CRU
Hong Kong <ul style="list-style-type: none"> <li>• MT 3063:</li> <li>• MT 3285:</li> <li>• MT 4084:</li> <li>• MT 4086:</li> <li>• MT 4087:</li> <li>• MT 7358:</li> <li>• MT 7373:</li> <li>• MT 7484:</li> <li>• MT 7639:</li> <li>• MT 9728:</li> <li>• MT 9960:</li> <li>• MT 9965:</li> <li>• MT 3231, 4085, 6138, 6209, 6239, 6302, 7188, 7244, 7347, 7355, 7571, 7628, 7635, 8494, and 8854_SB</li> </ul>	53Y7247	1
Arabic Localized <ul style="list-style-type: none"> <li>• MT 3063:</li> <li>• MT 3285:</li> <li>• MT 4084:</li> <li>• MT 4086:</li> <li>• MT 4087:</li> <li>• MT 7358:</li> <li>• MT 7373:</li> <li>• MT 7484:</li> <li>• MT 7639:</li> <li>• MT 9728:</li> <li>• MT 9960:</li> <li>• MT 9965:</li> <li>• MT 3231, 4085, 6138, 6209, 6239, 6302, 7188, 7244, 7347, 7355, 7571, 7628, 7635, 8494, and 8854_SB</li> </ul>	53Y7248	1
C&L1 Nordics (EN DK FI NO SV) <ul style="list-style-type: none"> <li>• MT 3063:</li> <li>• MT 3285:</li> <li>• MT 4084:</li> <li>• MT 4086:</li> <li>• MT 4087:</li> <li>• MT 7358:</li> <li>• MT 7373:</li> <li>• MT 7484:</li> <li>• MT 7639:</li> <li>• MT 9728:</li> <li>• MT 9960:</li> <li>• MT 9965:</li> </ul>	53Y7249	1

Windows Vista Ultimate 32	FRU #	CRU
<ul style="list-style-type: none"> <li>MT 3231, 4085, 6138, 6209, 6239, 6302, 7188, 7244, 7347, 7355, 7571, 7628, 7635, 8494, and 8854_SB</li> </ul>		

## Windows Vista Starter SP2 Recovery CD

**Note:** The Windows Vista recovery DVDs are available only for models with a valid Microsoft Windows Vista certificate of authenticity (COA) affixed to the system. Due to a Microsoft licensing limitation, if a model came with Windows Vista Business or Windows Vista Ultimate preinstalled from the factory, but has a Windows 7 COA affixed to the system, that model is eligible only for recovery DVDs that match the operating system specified on the COA.

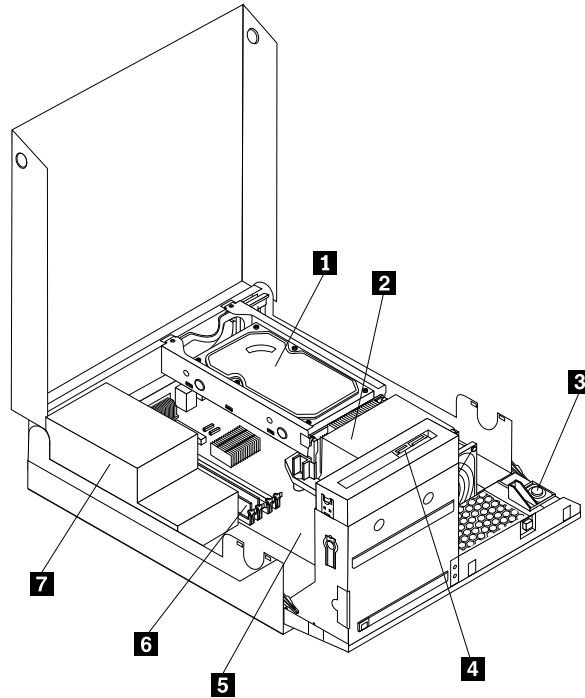
Windows Vista Starter SP2	FRU #	CRU
India English <ul style="list-style-type: none"> <li>MT 3063:</li> <li>MT 3285:</li> <li>MT 4084:</li> <li>MT 4086:</li> <li>MT 4087:</li> <li>MT 7358:</li> <li>MT 7373:</li> <li>MT 7484:</li> <li>MT 7639:</li> <li>MT 9728:</li> <li>MT 9960:</li> <li>MT 9965:</li> <li>MT 3231, 4085, 6138, 6209, 6239, 6302, 7188, 7244, 7347, 7355, 7571, 7628, 7635, 8494, and 8854_SB</li> </ul>	03T2168	1

## Windows 7 Starter 32 Recovery CD

Windows 7 Starter 32	FRU #	CRU
US English <ul style="list-style-type: none"> <li>MT 3246:</li> <li>MT 3282:</li> <li>MT 3544:</li> <li>MT 3652:</li> <li>MT 5474:</li> <li>MT 5498:</li> <li>MT 5852:</li> <li>MT 3029, 3054, 3139, 3219, 3349, 3421, 3769, 3934, 4992, 5206, 5267, 5325, 5384, 5450, 5554, 6232, 6590_SB</li> </ul>	03T0490	1

**Overall: MT 3379, 4083, 4088, 4099, 4138, 5897, 6137, 6234, 6258, 6303, 7174, 7220, 7346, 7354, 7357, 7360, 7483, 7582, 7627, 7630, 7638, 8910, and 9964.**

The following replaceable components are available for the 3379, 4083, 4088, 4099, 4138, 5897, 6137, 6234, 6258, 6303, 7174, 7220, 7346, 7354, 7357, 7360, 7483, 7582, 7627, 7630, 7638, 8910, and 9964.. machine type models.



Item #	FRUs	FRU #	CRU
1	Hard disk drive, SATA 160GB 7200RPM/3Gb/8MB <ul style="list-style-type: none"> <li>• MT 4088: A1G</li> <li>• MT 4099: A1G</li> <li>• MT 4138: A1G</li> <li>• MT 6258: B7J B8J D7U D7F D7L</li> <li>• MT 7220:</li> <li>• MT 7354:</li> <li>• MT 7357:</li> <li>• MT 7360: DHM F1M F2M</li> <li>• MT 7483: BFM</li> <li>• MT 8910:</li> <li>• MT 9964:</li> <li>• MT 3379, 4083, 5897, 6137, 6234, 6303, 7174, 7346, 7582, 7627, 7630, and 7638_SB</li> </ul>	40Y9035	1
1	Hard disk drive, 160 GB 7200rpm SATA <ul style="list-style-type: none"> <li>• MT 4088: A1G</li> <li>• MT 4099: A1G</li> </ul>	53Y6837	1

Item #	FRUs	FRU #	CRU
	<ul style="list-style-type: none"> <li>• MT 4138: A1G</li> <li>• MT 6258: D7U D7F D7L</li> <li>• MT 7220:</li> <li>• MT 7354:</li> <li>• MT 7357:</li> <li>• MT 7360: DHM F1M F2M</li> <li>• MT 7483: BFM</li> <li>• MT 8910:</li> <li>• MT 9964:</li> <li>• MT 3379, 4083, 5897, 6137, 6234, 6303, 7174, 7346, 7582, 7627, 7630, and 7638_SB</li> </ul>		
1	<p>Hard disk drive, SATA 250GB 7200RPM/3Gb/8MB</p> <ul style="list-style-type: none"> <li>• MT 4088:</li> <li>• MT 4099: A2G A3G</li> <li>• MT 4138:</li> <li>• MT 6258: BGA BGT BBM BCM B2J B3J B4J B5J B6J AWU AWF B1U B1F AVU AVF D2G D3G D8J D9U D9F DBU DBF DAU DAF E1J E2J</li> <li>• MT 7220: APM B3U B3F B4U B4F</li> <li>• MT 7354:</li> <li>• MT 7357:</li> <li>• MT 7360: E6A E6T E7A E7T E8A E8T E9A E9T EBA EBT DFM DGM DKM DLM DMM DNM DPM DPA DPT DQM E3M ECU ECF DBU DBF EDU EDF EFU EFF EGU EGF EHU EHF EKV ENA ENT EPU EPF EPL EQU EQF EQL ERM ESM ETM EUU EUF EVU EVF F3M F4M</li> <li>• MT 7483: B4M B5M B6M BGM BHM BLQ BRU BRF BUM BVU BVF BWU BWF D1Q</li> <li>• MT 8910: ALU ALF ALS ALP ALD ALY AMU AMF AMS AMP AMD AMY AQU AQF AQS ARU ARF ARS B4U B4F B4S</li> <li>• MT 9964: A7U A7F A7S A7P A7D A7Y ABU ABF ABS</li> <li>• MT 3379, 4083, 5897, 6137, 6234, 6303, 7174, 7346, 7582, 7627, 7630, and 7638_SB</li> </ul>	40Y9036	1
1	<p>Hard disk drive, 250 GB 7200rpm SATA</p> <ul style="list-style-type: none"> <li>• MT 4088:</li> <li>• MT 4099: A2G A3G</li> <li>• MT 4138:</li> <li>• MT 6258: BGA BGT BBM BCM B2J B3J B4J B5J B6J AWU AWF B1U B1F AVU AVF D2G D3G D8J D9U D9F DBU DBF DAU DAF E1J E2J</li> <li>• MT 7220: APM B3U B3F B4U B4F</li> <li>• MT 7354:</li> <li>• MT 7357:</li> <li>• MT 7360: E6A E6T E7A E7T E8A E8T E9A E9T EBA EBT DFM DGM DKM DLM DMM DNM DPM DPA DPT DQM E3M ECU ECF DBU DBF EDU EDF EFU EFF EGU EGF EHU EHF EKV ENA ENT EPU EPF EPL EQU EQF EQL ERM ESM ETM EUU EUF EVU EVF F3M F4M</li> <li>• MT 7483: B4M B5M B6M BGM BHM BLQ BRU BRF BUM BVU BVF BWU BWF D1Q</li> </ul>	45K0408	1



Item #	FRUs	FRU #	CRU
	<ul style="list-style-type: none"> <li>• MT 8910: AQU AQF AQS ARU ARF ARS B4U B4F B4S</li> <li>• MT 9964: ABU ABF ABS</li> <li>• MT 3379, 4083, 5897, 6137, 6234, 6303, 7174, 7346, 7582, 7627, 7630, and 7638_SB</li> </ul>		
1	<p>Hard disk drive, SATA 320GB 7200rpm SATA/8MB</p> <ul style="list-style-type: none"> <li>• MT 4088:</li> <li>• MT 4099:</li> <li>• MT 4138:</li> <li>• MT 6258: BDM BEM BFM DDG DFM</li> <li>• MT 7220: AQM ALM AMM AHJ AJJ AKJ AVG AWG B1G B2J ASG AVU AVF AVS AVP AVL AVD AVY AVM AVA AVQ AVT AVC AVB AVH AVV AVK AVR AVE AVJ B5Q C1J C2J</li> <li>• MT 7354:</li> <li>• MT 7357: A4G A2G</li> <li>• MT 7360: DRM DSM DUM DWM E4M EJS EJD EJY ELV EMV F5M F6M</li> <li>• MT 7483: BKA BKT B7M B8M B9M BCM BDM BJM BSJ BTJ D2M</li> <li>• MT 8910: ASU ASF ASS ATU ATF ATS AUU AUF AUS B1S B1D B1Y B2S B2D B2Y B3S B3D B3Y B5S B5D B5Y B6S B6D B6Y</li> <li>• MT 9964: A8U A8F A8S A8P A8D A8Y ACU ACF ACS ADU ADF ADS AES AED AEY</li> <li>• MT 3379, 4083, 5897, 6137, 6234, 6303, 7174, 7346, 7582, 7627, 7630, and 7638_SB</li> </ul>	87H4891	1
1	<p>Hard disk drive, 320 GB 7200rpm SATA</p> <ul style="list-style-type: none"> <li>• MT 4088:</li> <li>• MT 4099:</li> <li>• MT 4138:</li> <li>• MT 6258: BDM BEM BFM DDG DFM</li> <li>• MT 7220: AQM ALM AMM AHJ AJJ AKJ AVG AWG B1G B2J ASG AVU AVF AVS AVP AVL AVD AVY AVM AVA AVQ AVT AVC AVB AVH AVV AVK AVR AVE AVJ B5Q C1J C2J</li> <li>• MT 7354:</li> <li>• MT 7357: A4G A2G</li> <li>• MT 7360: DRM DSM DUM DWM E4M EJS EJD EJY ELV EMV F5M F6M</li> <li>• MT 7483: BKA BKT B7M B8M B9M BCM BDM BJM BSJ BTJ D2M</li> <li>• MT 8910: ASU ASF ASS ATU ATF ATS AUU AUF AUS B1S B1D B1Y B2S B2D B2Y B3S B3D B3Y B5S B5D B5Y B6S B6D B6Y</li> <li>• MT 9964: A8U A8F A8S A8P A8D A8Y ACU ACF ACS ADU ADF ADS AES AED AEY</li> <li>• MT 3379, 4083, 5897, 6137, 6234, 6303, 7174, 7346, 7582, 7627, 7630, and 7638_SB</li> </ul>	45K0409	1

Item #	FRUs	FRU #	CRU
1	Hard disk drive, SATA 500GB 7200RPM/3Gb/s/8MB <ul style="list-style-type: none"> <li>• MT 4088:</li> <li>• MT 4099:</li> <li>• MT 4138: A2G</li> <li>• MT 6258:</li> <li>• MT 7220: ARM ANM AUG</li> <li>• MT 7354: A2G A3G</li> <li>• MT 7357: A5G A3G</li> <li>• MT 7360: E5M F7M</li> <li>• MT 7483: BBM BEM</li> <li>• MT 8910:</li> <li>• MT 9964: A6G AAG</li> <li>• MT 3379, 4083, 5897, 6137, 6234, 6303, 7174, 7346, 7582, 7627, 7630, and 7638_SB</li> </ul>	41X5582	1
1	Hard disk drive, 500GB 7200rpm SATA <ul style="list-style-type: none"> <li>• MT 4088:</li> <li>• MT 4099:</li> <li>• MT 4138: A2G</li> <li>• MT 6258: D6G</li> <li>• MT 7220: ARM ANM AUG</li> <li>• MT 7354: A2G A3G</li> <li>• MT 7357: A5G A3G</li> <li>• MT 7360: E5M F7M</li> <li>• MT 7483: BBM BEM</li> <li>• MT 8910:</li> <li>• MT 9964: A6G AAG</li> <li>• MT 3379, 4083, 5897, 6137, 6234, 6303, 7174, 7346, 7582, 7627, 7630, and 7638_SB</li> </ul>	45K0410	1
1	Hard disk drive, SATA 1TB 7200RPM/3Gb/8MB <ul style="list-style-type: none"> <li>• MT 4088:</li> <li>• MT 4099:</li> <li>• MT 4138:</li> <li>• MT 6258: 91Z</li> <li>• MT 7220: 91Z</li> <li>• MT 7354:</li> <li>• MT 7357:</li> <li>• MT 7360: 91Z</li> <li>• MT 7483: 91Z</li> <li>• MT 8910: 91Z</li> <li>• MT 9964: 91Z</li> <li>• MT 3379, 4083, 5897, 6137, 6234, 6303, 7174, 7346, 7582, 7627, 7630, and 7638_SB</li> </ul>	45C5973	1

Item #	FRUs	FRU #	CRU
1	Hard disk drive, 1TB 7200rpm SATA <ul style="list-style-type: none"> <li>• MT 4088:</li> <li>• MT 4099:</li> <li>• MT 4138:</li> <li>• MT 6258:</li> <li>• MT 7220:</li> <li>• MT 7354:</li> <li>• MT 7357:</li> <li>• MT 7360:</li> <li>• MT 7483:</li> <li>• MT 8910:</li> <li>• MT 9964:</li> <li>• MT 3379, 4083, 5897, 6137, 6234, 6303, 7174, 7346, 7582, 7627, 7630, and 7638_SB</li> </ul>	45K0412	1
1	Hard disk drive, 64GB1.8" SSD RBX MLC <ul style="list-style-type: none"> <li>• MT 4088:</li> <li>• MT 4099:</li> <li>• MT 4138:</li> <li>• MT 6258:</li> <li>• MT 7220:</li> <li>• MT 7354:</li> <li>• MT 7357:</li> <li>• MT 7360:</li> <li>• MT 7483:</li> <li>• MT 8910:</li> <li>• MT 9964:</li> <li>• MT 3379, 4083, 5897, 6137, 6234, 6303, 7174, 7346, 7582, 7627, 7630, and 7638_SB</li> </ul>	41W0520	1
1	Hard disk drive, SATA 150GB 10KRPM/3GB/16M <ul style="list-style-type: none"> <li>• MT 4088:</li> <li>• MT 4099:</li> <li>• MT 4138:</li> <li>• MT 6258:</li> <li>• MT 7220:</li> <li>• MT 7354:</li> <li>• MT 7357:</li> <li>• MT 7360:</li> <li>• MT 7483:</li> <li>• MT 8910:</li> <li>• MT 9964:</li> <li>• MT 3379, 4083, 5897, 6137, 6234, 6303, 7174, 7346, 7582, 7627, 7630, and 7638_SB</li> </ul>	46R6400	1

Item #	FRUs	FRU #	CRU
1	Hard disk drive, 500G HDD with cache size 8M -> 16M <ul style="list-style-type: none"> <li>• MT 4088:</li> <li>• MT 4099:</li> <li>• MT 4138:</li> <li>• MT 6258:</li> <li>• MT 7220: ARM ANM</li> <li>• MT 7354: A2G A3G</li> <li>• MT 7357: A5G A3G</li> <li>• MT 7360:</li> <li>• MT 7483:</li> <li>• MT 8910:</li> <li>• MT 9964:</li> <li>• MT 3379, 4083, 5897, 6137, 6234, 6303, 7174, 7346, 7582, 7627, 7630, and 7638_SB</li> </ul>	45X5582	1
1	Hard disk drive, Hitachi Gemimi-K Ultrastar 500G HDD 32M Cache <ul style="list-style-type: none"> <li>• MT 4088:</li> <li>• MT 4099:</li> <li>• MT 4138:</li> <li>• MT 6258:</li> <li>• MT 7220:</li> <li>• MT 7354:</li> <li>• MT 7357:</li> <li>• MT 7360:</li> <li>• MT 7483:</li> <li>• MT 8910:</li> <li>• MT 9964:</li> <li>• MT 3379, 4083, 5897, 6137, 6234, 6303, 7174, 7346, 7582, 7627, 7630, and 7638_SB</li> </ul>	71Y6356	1
2	Fru, 95W heatsink for Milan 607, with RM, no fan grill <ul style="list-style-type: none"> <li>• MT 4088: all models</li> <li>• MT 4099: all models</li> <li>• MT 4138: all models</li> <li>• MT 6258: all models</li> <li>• MT 7220: all models</li> <li>• MT 7354: all models</li> <li>• MT 7357: all models</li> <li>• MT 7360: all models</li> <li>• MT 7483: all models</li> <li>• MT 8910: all models</li> <li>• MT 9964: all models</li> <li>• MT 3379, 4083, 5897, 6137, 6234, 6303, 7174, 7346, 7582, 7627, 7630, and 7638_SB</li> </ul>	43N9874	2

Item #	FRUs	FRU #	CRU
2	Fru, 65W heatsink for Milan 607, with RM, no fan grill <ul style="list-style-type: none"> <li>• MT 4088: all models</li> <li>• MT 4099: all models</li> <li>• MT 4138: all models</li> <li>• MT 6258: all models</li> <li>• MT 7220: all models</li> <li>• MT 7354: all models</li> <li>• MT 7357: all models</li> <li>• MT 7360: all models</li> <li>• MT 7483: all models</li> <li>• MT 8910: all models</li> <li>• MT 9964: all models</li> <li>• MT 3379, 4083, 5897, 6137, 6234, 6303, 7174, 7346, 7582, 7627, 7630, and 7638_SB</li> </ul>	43N9877	2
2	Microprocessor, E4700 Conroe 2.60GHz 800MHz FSB 2M <ul style="list-style-type: none"> <li>• MT 4088:</li> <li>• MT 4099:</li> <li>• MT 4138:</li> <li>• MT 6258:</li> <li>• MT 7220:</li> <li>• MT 7354:</li> <li>• MT 7357:</li> <li>• MT 7360:</li> <li>• MT 7483:</li> <li>• MT 8910:</li> <li>• MT 9964:</li> <li>• MT 3379, 4083, 5897, 6137, 6234, 6303, 7174, 7346, 7582, 7627, 7630, and 7638_SB</li> </ul>	45R5786	2
2	Microprocessor, E8600 Wolfdale,3.33GHZ,1333M FSB 6M E-0 <ul style="list-style-type: none"> <li>• MT 4088:</li> <li>• MT 4099:</li> <li>• MT 4138:</li> <li>• MT 6258:</li> <li>• MT 7220:</li> <li>• MT 7354:</li> <li>• MT 7357:</li> <li>• MT 7360:</li> <li>• MT 7483:</li> <li>• MT 8910:</li> <li>• MT 9964:</li> <li>• MT 3379, 4083, 5897, 6137, 6234, 6303, 7174, 7346, 7582, 7627, 7630, and 7638_SB</li> </ul>	46R8640	2

Item #	FRUs	FRU #	CRU
2	Microprocessor, Core 2 Duo E8500 Processor 3.16GHz 1333MHz FSB 6M L2 65W C-0 <ul style="list-style-type: none"> <li>• MT 4088:</li> <li>• MT 4099:</li> <li>• MT 4138:</li> <li>• MT 6258:</li> <li>• MT 7220: ALM AWG B4U B4F</li> <li>• MT 7354:</li> <li>• MT 7357:</li> <li>• MT 7360:</li> <li>• MT 7483: B9M BBM BJM BVU BVF</li> <li>• MT 8910:</li> <li>• MT 9964:</li> <li>• MT 3379, 4083, 5897, 6137, 6234, 6303, 7174, 7346, 7582, 7627, 7630, and 7638_SB</li> </ul>	45C7735	2
2	Microprocessor, Core 2 Duo E8400 Processor 3.00GHz 1333MHz FSB 6M L2 65W C-0 <ul style="list-style-type: none"> <li>• MT 4088: A1G</li> <li>• MT 4099:</li> <li>• MT 4138: A1G A2G</li> <li>• MT 6258:</li> <li>• MT 7220: APM AQM ARM AHJ AJJ AKJ AVG B2J ASG AVU AVF AVS AVP AVL AVD AVY AVM AVA AVQ AVT AVC AVB AVH AVV AVK AVR AVE AVJ B3U B3F B5Q C1J C2J</li> <li>• MT 7354:</li> <li>• MT 7357: A4G A2G</li> <li>• MT 7360:</li> <li>• MT 7483: B4M B5M B6M B7M B8M BFM BGM BHM BLQ BRU BRF BSJ BTJ BUM BWU BWF D1Q D2M</li> <li>• MT 8910: ANS ANY B6S B6D B6Y</li> <li>• MT 9964: A6G A7U A7F A7S A7P A7D A7Y A9S A9Y AAG ABU ABF ABS ADU ADF ADS AES AED AEY</li> <li>• MT 3379, 4083, 5897, 6137, 6234, 6303, 7174, 7346, 7582, 7627, 7630, and 7638_SB</li> </ul>	45C7736	2
2	Microprocessor, Core 2 Duo E8300 Processor 2.83GHz 1333MHz FSB 6M L2 65W C-0 <ul style="list-style-type: none"> <li>• MT 4088:</li> <li>• MT 4099:</li> <li>• MT 4138:</li> <li>• MT 6258:</li> <li>• MT 7220:</li> <li>• MT 7354:</li> <li>• MT 7357:</li> <li>• MT 7360:</li> <li>• MT 7483:</li> </ul>	45C7737	2

Item #	FRUs	FRU #	CRU
	<ul style="list-style-type: none"> <li>• MT 8910:</li> <li>• MT 9964:</li> <li>• MT 3379, 4083, 5897, 6137, 6234, 6303, 7174, 7346, 7582, 7627, 7630, and 7638_SB</li> </ul>		
2	Microprocessor, E7200 Wolfdale 2.53GHZ 1066MHZFSB 3MB M-0 <ul style="list-style-type: none"> <li>• MT 4088:</li> <li>• MT 4099:</li> <li>• MT 4138:</li> <li>• MT 6258:</li> <li>• MT 7220:</li> <li>• MT 7354:</li> <li>• MT 7357:</li> <li>• MT 7360:</li> <li>• MT 7483:</li> <li>• MT 8910:</li> <li>• MT 9964:</li> <li>• MT 3379, 4083, 5897, 6137, 6234, 6303, 7174, 7346, 7582, 7627, 7630, and 7638_SB</li> </ul>	45R8337	2
2	Microprocessor, E7200 Wolfdale 2.53GHZ 1066MHZFSB 3MB M-0 <ul style="list-style-type: none"> <li>• MT 4088:</li> <li>• MT 4099:</li> <li>• MT 4138:</li> <li>• MT 6258:</li> <li>• MT 7220:</li> <li>• MT 7354:</li> <li>• MT 7357:</li> <li>• MT 7360:</li> <li>• MT 7483:</li> <li>• MT 8910:</li> <li>• MT 9964:</li> <li>• MT 3379, 4083, 5897, 6137, 6234, 6303, 7174, 7346, 7582, 7627, 7630, and 7638_SB</li> </ul>	46R1622	2
2	Microprocessor, E2200 Conroe-L 2.20GHz 800MHz FSB 1M <ul style="list-style-type: none"> <li>• MT 4088:</li> <li>• MT 4099:</li> <li>• MT 4138:</li> <li>• MT 6258:</li> <li>• MT 7220:</li> <li>• MT 7354:</li> <li>• MT 7357:</li> <li>• MT 7360:</li> <li>• MT 7483:</li> <li>• MT 8910:</li> </ul>	45C5349	2

Item #	FRUs	FRU #	CRU
	<ul style="list-style-type: none"> <li>• MT 9964:</li> <li>• MT 3379, 4083, 5897, 6137, 6234, 6303, 7174, 7346, 7582, 7627, 7630, and 7638_SB</li> </ul>		
2	Microprocessor, E2220 Conroe-L 2.40GHz 800MHz FSB 1M <ul style="list-style-type: none"> <li>• MT 4088:</li> <li>• MT 4099:</li> <li>• MT 4138:</li> <li>• MT 6258:</li> <li>• MT 7220:</li> <li>• MT 7354:</li> <li>• MT 7357:</li> <li>• MT 7360:</li> <li>• MT 7483:</li> <li>• MT 8910:</li> <li>• MT 9964:</li> <li>• MT 3379, 4083, 5897, 6137, 6234, 6303, 7174, 7346, 7582, 7627, 7630, and 7638_SB</li> </ul>	45C1774	2
2	Microprocessor, E5200 Wolfdale 2.50GHZ 800FSB 2M <ul style="list-style-type: none"> <li>• MT 4088:</li> <li>• MT 4099:</li> <li>• MT 4138:</li> <li>• MT 6258:</li> <li>• MT 7220:</li> <li>• MT 7354:</li> <li>• MT 7357:</li> <li>• MT 7360:</li> <li>• MT 7483:</li> <li>• MT 8910:</li> <li>• MT 9964:</li> <li>• MT 3379, 4083, 5897, 6137, 6234, 6303, 7174, 7346, 7582, 7627, 7630, and 7638_SB</li> </ul>	46R9512	2
2	Microprocessor, 450 2.20GHZ 800MHz FSB 512K <ul style="list-style-type: none"> <li>• MT 4088:</li> <li>• MT 4099:</li> <li>• MT 4138:</li> <li>• MT 6258:</li> <li>• MT 7220:</li> <li>• MT 7354:</li> <li>• MT 7357:</li> <li>• MT 7360:</li> <li>• MT 7483:</li> <li>• MT 8910:</li> <li>• MT 9964:</li> </ul>	46R9514	2



Item #	FRUs	FRU #	CRU
	<ul style="list-style-type: none"> <li>• MT 3379, 4083, 5897, 6137, 6234, 6303, 7174, 7346, 7582, 7627, 7630, and 7638_SB</li> </ul>		
2	Microprocessor, E1400 Conroe 2.00GHZ 800MHZFSB 512K - NPI M-0 <ul style="list-style-type: none"> <li>• MT 4088:</li> <li>• MT 4099:</li> <li>• MT 4138:</li> <li>• MT 6258:</li> <li>• MT 7220:</li> <li>• MT 7354:</li> <li>• MT 7357:</li> <li>• MT 7360:</li> <li>• MT 7483:</li> <li>• MT 8910:</li> <li>• MT 9964:</li> <li>• MT 3379, 4083, 5897, 6137, 6234, 6303, 7174, 7346, 7582, 7627, 7630, and 7638_SB</li> </ul>	45R8339	2
2	Microprocessor, Celeron 440 Processor 2.00GHz 800MHz FSB 512K L2 A-1 Stepping Level, Value FMB <ul style="list-style-type: none"> <li>• MT 4088:</li> <li>• MT 4099:</li> <li>• MT 4138:</li> <li>• MT 6258:</li> <li>• MT 7220:</li> <li>• MT 7354:</li> <li>• MT 7357:</li> <li>• MT 7360:</li> <li>• MT 7483:</li> <li>• MT 8910:</li> <li>• MT 9964:</li> <li>• MT 3379, 4083, 5897, 6137, 6234, 6303, 7174, 7346, 7582, 7627, 7630, and 7638_SB</li> </ul>	43C1965	2
2	Microprocessor, Q9550 Yorkfield 2.83GHZ 1333FSB 12M 4/4 L2 95W C-0 <ul style="list-style-type: none"> <li>• MT 4088:</li> <li>• MT 4099:</li> <li>• MT 4138:</li> <li>• MT 6258:</li> <li>• MT 7220:</li> <li>• MT 7354:</li> <li>• MT 7357:</li> <li>• MT 7360:</li> <li>• MT 7483:</li> <li>• MT 8910:</li> <li>• MT 9964:</li> </ul>	45C7739	2

Item #	FRUs	FRU #	CRU
	<ul style="list-style-type: none"> <li>• MT 3379, 4083, 5897, 6137, 6234, 6303, 7174, 7346, 7582, 7627, 7630, and 7638_SB</li> </ul>		
2	Microprocessor, Q9450 Yorkfield 2.66GHZ 1333FSB 12M 4/4 L2 95W C-0 <ul style="list-style-type: none"> <li>• MT 4088:</li> <li>• MT 4099:</li> <li>• MT 4138:</li> <li>• MT 6258:</li> <li>• MT 7220:</li> <li>• MT 7354:</li> <li>• MT 7357:</li> <li>• MT 7360:</li> <li>• MT 7483:</li> <li>• MT 8910:</li> <li>• MT 9964:</li> <li>• MT 3379, 4083, 5897, 6137, 6234, 6303, 7174, 7346, 7582, 7627, 7630, and 7638_SB</li> </ul>	45C7740	2
2	Microprocessor, Q9300 Yorkfield 2.50GHZ 1333FSB 6M 4/4 L2 95W M-0 <ul style="list-style-type: none"> <li>• MT 4088:</li> <li>• MT 4099:</li> <li>• MT 4138:</li> <li>• MT 6258:</li> <li>• MT 7220:</li> <li>• MT 7354:</li> <li>• MT 7357:</li> <li>• MT 7360:</li> <li>• MT 7483:</li> <li>• MT 8910:</li> <li>• MT 9964:</li> <li>• MT 3379, 4083, 5897, 6137, 6234, 6303, 7174, 7346, 7582, 7627, 7630, and 7638_SB</li> </ul>	45C7741	2
2	Microprocessor, Q9400 Yorkfield 2.66GHZ 1333FSB 6MB VT, TXT R-0 <ul style="list-style-type: none"> <li>• MT 4088:</li> <li>• MT 4099:</li> <li>• MT 4138:</li> <li>• MT 6258:</li> <li>• MT 7220: AMM ANM B1G AUG</li> <li>• MT 7354:</li> <li>• MT 7357: A5G A3G</li> <li>• MT 7360:</li> <li>• MT 7483: BKA BKT BCM BDM BEM</li> <li>• MT 8910:</li> <li>• MT 9964: A8U A8F A8S A8P A8D A8Y ACU ACF ACS</li> </ul>	46R8644	2

Item #	FRUs	FRU #	CRU
	<ul style="list-style-type: none"> <li>• MT 3379, 4083, 5897, 6137, 6234, 6303, 7174, 7346, 7582, 7627, 7630, and 7638_SB</li> </ul>		
2	Microprocessor, Q9650 Yorkfield 3.00GHZ 1333FSB 12MB VT, TXT E-0 <ul style="list-style-type: none"> <li>• MT 4088:</li> <li>• MT 4099:</li> <li>• MT 4138:</li> <li>• MT 6258:</li> <li>• MT 7220:</li> <li>• MT 7354:</li> <li>• MT 7357:</li> <li>• MT 7360:</li> <li>• MT 7483:</li> <li>• MT 8910:</li> <li>• MT 9964:</li> <li>• MT 3379, 4083, 5897, 6137, 6234, 6303, 7174, 7346, 7582, 7627, 7630, and 7638_SB</li> </ul>	46R8642	2
2	Microprocessor, Q8200 Yorkfield 2.33GHZ 1333FSB 4MB M-1 <ul style="list-style-type: none"> <li>• MT 4088:</li> <li>• MT 4099:</li> <li>• MT 4138:</li> <li>• MT 6258:</li> <li>• MT 7220:</li> <li>• MT 7354:</li> <li>• MT 7357:</li> <li>• MT 7360:</li> <li>• MT 7483:</li> <li>• MT 8910:</li> <li>• MT 9964:</li> <li>• MT 3379, 4083, 5897, 6137, 6234, 6303, 7174, 7346, 7582, 7627, 7630, and 7638_SB</li> </ul>	46R9516	2
2	Microprocessor, E7500 Wolfdale 2.93GHZ/1066FSB 3M ViiV,EIST,EM64T,EDB R-0 <ul style="list-style-type: none"> <li>• MT 4088:</li> <li>• MT 4099: A1G</li> <li>• MT 4138:</li> <li>• MT 6258: D3G DFM</li> <li>• MT 7220:</li> <li>• MT 7354: A2G A3G</li> <li>• MT 7357:</li> <li>• MT 7360: EHU EHF F6M</li> <li>• MT 7483:</li> <li>• MT 8910: AMU AMF AMS AMP AMD AMY ARU ARF ARS ASU ASF ASS</li> <li>• MT 9964:</li> </ul>	53Y6654	2

Item #	FRUs	FRU #	CRU
	<ul style="list-style-type: none"> <li>• MT 3379, 4083, 5897, 6137, 6234, 6303, 7174, 7346, 7582, 7627, 7630, and 7638_SB</li> </ul>		
2	<p>Microprocessor, E7400 Wolfdale 2.8GHZ/1066FSB 3M ViiV,EIST,EM64T,EDB R-0</p> <ul style="list-style-type: none"> <li>• MT 4088:</li> <li>• MT 4099:</li> <li>• MT 4138:</li> <li>• MT 6258:</li> <li>• MT 7220:</li> <li>• MT 7354:</li> <li>• MT 7357:</li> <li>• MT 7360:</li> <li>• MT 7483:</li> <li>• MT 8910:</li> <li>• MT 9964:</li> <li>• MT 3379, 4083, 5897, 6137, 6234, 6303, 7174, 7346, 7582, 7627, 7630, and 7638_SB</li> </ul>	53Y6653	2
2	<p>Microprocessor, E1500 Conroe 2.2GHZ/800FSB 512KB EIST,EM64T,EDB M-0</p> <ul style="list-style-type: none"> <li>• MT 4088:</li> <li>• MT 4099:</li> <li>• MT 4138:</li> <li>• MT 6258:</li> <li>• MT 7220:</li> <li>• MT 7354:</li> <li>• MT 7357:</li> <li>• MT 7360:</li> <li>• MT 7483:</li> <li>• MT 8910:</li> <li>• MT 9964:</li> <li>• MT 3379, 4083, 5897, 6137, 6234, 6303, 7174, 7346, 7582, 7627, 7630, and 7638_SB</li> </ul>	53Y9051	2
2	<p>Microprocessor, E5400 Wolfdale 2.7GHz/800FSB 2MB EIST,EM64T,EDB R-0</p> <ul style="list-style-type: none"> <li>• MT 4088:</li> <li>• MT 4099:</li> <li>• MT 4138:</li> <li>• MT 6258:</li> <li>• MT 7220:</li> <li>• MT 7354:</li> <li>• MT 7357:</li> <li>• MT 7360:</li> <li>• MT 7483:</li> <li>• MT 8910:</li> </ul>	64Y1075	2

Item #	FRUs	FRU #	CRU
	<ul style="list-style-type: none"> <li>• MT 9964:</li> <li>• MT 3379, 4083, 5897, 6137, 6234, 6303, 7174, 7346, 7582, 7627, 7630, and 7638_SB</li> </ul>		
2	<p>Microprocessor, Intel Core 2 Duo E7600 3.06G/1066/3M/775 VT R0 65W QLUH</p> <ul style="list-style-type: none"> <li>• MT 4088:</li> <li>• MT 4099:</li> <li>• MT 4138:</li> <li>• MT 6258: BGA BGT BDM BEM B2J B3J B4J D7U D7F D7L D8J DBU DBF E1J E2J</li> <li>• MT 7220:</li> <li>• MT 7354:</li> <li>• MT 7357:</li> <li>• MT 7360: E8A E8T E9A E9T DLM DMM DNM DPM DPA DPT DQM DRM DSM DUM EPU EPF EPL ESM</li> <li>• MT 7483:</li> <li>• MT 8910: B5S B5D B5Y</li> <li>• MT 9964:</li> <li>• MT 3379, 4083, 5897, 6137, 6234, 6303, 7174, 7346, 7582, 7627, 7630, and 7638_SB</li> </ul>	71Y3486	2
2	<p>Microprocessor, Intel Core 2 Quad Q8400 2.66/1333/4/775 VT R0 95W QLQN</p> <ul style="list-style-type: none"> <li>• MT 4088:</li> <li>• MT 4099:</li> <li>• MT 4138:</li> <li>• MT 6258: BFM AVU AVF D6G</li> <li>• MT 7220:</li> <li>• MT 7354:</li> <li>• MT 7357:</li> <li>• MT 7360: EBA EBT DWM E3M E4M E5M ECU ECF DBU DBF F7M</li> <li>• MT 7483:</li> <li>• MT 8910:</li> <li>• MT 9964:</li> <li>• MT 3379, 4083, 5897, 6137, 6234, 6303, 7174, 7346, 7582, 7627, 7630, and 7638_SB</li> </ul>	71Y3488	2
2	<p>Microprocessor, Intel Core 2 Quad Q8400S 2.66/1333/4/775 VT R0 65W QLRY</p> <ul style="list-style-type: none"> <li>• MT 4088:</li> <li>• MT 4099:</li> <li>• MT 4138:</li> <li>• MT 6258: BFM AVU AVF</li> <li>• MT 7220:</li> <li>• MT 7354:</li> <li>• MT 7357:</li> <li>• MT 7360: EBA EBT DWM E3M E4M E5M ECU ECF DBU DBF</li> </ul>	71Y3490	2

Item #	FRUs	FRU #	CRU
	<ul style="list-style-type: none"> <li>• MT 7483:</li> <li>• MT 8910:</li> <li>• MT 9964:</li> <li>• MT 3379, 4083, 5897, 6137, 6234, 6303, 7174, 7346, 7582, 7627, 7630, and 7638_SB</li> </ul>		
2	<p>Microprocessor, Intel Pentium Dual Core E6300 2.8G/1066/2M/775 VT R0 65W QLPZ</p> <ul style="list-style-type: none"> <li>• MT 4088:</li> <li>• MT 4099:</li> <li>• MT 4138:</li> <li>• MT 6258: BBM BCM AWU AWF B1U B1F</li> <li>• MT 7220:</li> <li>• MT 7354:</li> <li>• MT 7357:</li> <li>• MT 7360: E6A E6T E7A E7T DFM DGM DHM DKM EDU EDF EFU EFF EGU EGF</li> <li>• MT 7483:</li> <li>• MT 8910: ALU ALF ALS ALP ALD ALY</li> <li>• MT 9964:</li> <li>• MT 3379, 4083, 5897, 6137, 6234, 6303, 7174, 7346, 7582, 7627, 7630, and 7638_SB</li> </ul>	71Y3484	2
2	<p>Microprocessor, E5300 Wolfdale 2.6GHz/800FSB 2MB EIST,EM64T,EDB R-0</p> <ul style="list-style-type: none"> <li>• MT 4088:</li> <li>• MT 4099:</li> <li>• MT 4138:</li> <li>• MT 6258:</li> <li>• MT 7220:</li> <li>• MT 7354:</li> <li>• MT 7357:</li> <li>• MT 7360:</li> <li>• MT 7483:</li> <li>• MT 8910:</li> <li>• MT 9964:</li> <li>• MT 3379, 4083, 5897, 6137, 6234, 6303, 7174, 7346, 7582, 7627, 7630, and 7638_SB</li> </ul>	53Y9049	2

Item #	FRUs	FRU #	CRU
2	Microprocessor, Q8300 Yorkfield 2.5GHZ/1333FSB 4M ViiV,EIST,EM64T,EDB R-0 <ul style="list-style-type: none"> <li>• MT 4088:</li> <li>• MT 4099:</li> <li>• MT 4138:</li> <li>• MT 6258:</li> <li>• MT 7220:</li> <li>• MT 7354:</li> <li>• MT 7357:</li> <li>• MT 7360:</li> <li>• MT 7483:</li> <li>• MT 8910:</li> <li>• MT 9964:</li> <li>• MT 3379, 4083, 5897, 6137, 6234, 6303, 7174, 7346, 7582, 7627, 7630, and 7638_SB</li> </ul>	53Y6656	2
2	Microprocessor, Inte Celeron Dual Core E3400 2.6GHZ /800 MHz/1MB R-0 65W VT <ul style="list-style-type: none"> <li>• MT 4088:</li> <li>• MT 4099:</li> <li>• MT 4138:</li> <li>• MT 6258:</li> <li>• MT 7220:</li> <li>• MT 7354:</li> <li>• MT 7357:</li> <li>• MT 7360:</li> <li>• MT 7483:</li> <li>• MT 8910:</li> <li>• MT 9964:</li> <li>• MT 3379, 4083, 5897, 6137, 6234, 6303, 7174, 7346, 7582, 7627, 7630, and 7638_SB</li> </ul>	89Y0207	2
2	Microprocessor, Inte Celeron Dual Core E3300 2.5GHZ /800 MHz/1MB R-0 65W VT <ul style="list-style-type: none"> <li>• MT 4088:</li> <li>• MT 4099:</li> <li>• MT 4138:</li> <li>• MT 6258:</li> <li>• MT 7220:</li> <li>• MT 7354:</li> <li>• MT 7357:</li> <li>• MT 7360:</li> <li>• MT 7483:</li> <li>• MT 8910:</li> <li>• MT 9964:</li> </ul>	71Y6252	2

Item #	FRUs	FRU #	CRU
	<ul style="list-style-type: none"> <li>• MT 3379, 4083, 5897, 6137, 6234, 6303, 7174, 7346, 7582, 7627, 7630, and 7638_SB</li> </ul>		
2	<p>Microprocessor, Intel Celeron Dual Core E3200 2.4GHZ /800 MHz/1MB R-0 65W VT</p> <ul style="list-style-type: none"> <li>• MT 4088:</li> <li>• MT 4099:</li> <li>• MT 4138:</li> <li>• MT 6258:</li> <li>• MT 7220:</li> <li>• MT 7354:</li> <li>• MT 7357:</li> <li>• MT 7360:</li> <li>• MT 7483:</li> <li>• MT 8910:</li> <li>• MT 9964:</li> <li>• MT 3379, 4083, 5897, 6137, 6234, 6303, 7174, 7346, 7582, 7627, 7630, and 7638_SB</li> </ul>	71Y6251	2
2	<p>Microprocessor, Intel Core 2 Quad Q9500 2.83/1333/6MB/775 VT R0 95W QLRY</p> <ul style="list-style-type: none"> <li>• MT 4088:</li> <li>• MT 4099:</li> <li>• MT 4138:</li> <li>• MT 6258:</li> <li>• MT 7220:</li> <li>• MT 7354:</li> <li>• MT 7357:</li> <li>• MT 7360:</li> <li>• MT 7483:</li> <li>• MT 8910:</li> <li>• MT 9964:</li> <li>• MT 3379, 4083, 5897, 6137, 6234, 6303, 7174, 7346, 7582, 7627, 7630, and 7638_SB</li> </ul>	71Y8996	2
2	<p>Microprocessor, Intel Pentium Dual Core E6500 2.93GHZ /1066 MHz/2MB R-0 65W</p> <ul style="list-style-type: none"> <li>• MT 4088:</li> <li>• MT 4099:</li> <li>• MT 4138:</li> <li>• MT 6258:</li> <li>• MT 7220:</li> <li>• MT 7354:</li> <li>• MT 7357:</li> <li>• MT 7360:</li> <li>• MT 7483:</li> <li>• MT 8910: B3S B3D B3Y</li> </ul>	71Y6250	2



Item #	FRUs	FRU #	CRU
	<ul style="list-style-type: none"> <li>• MT 9964:</li> <li>• MT 3379, 4083, 5897, 6137, 6234, 6303, 7174, 7346, 7582, 7627, 7630, and 7638_SB</li> </ul>		
2	<p>Microprocessor, Intel Pentium Dual Core E6600 3.06GHZ /1066 MHz/2MB R-0 65W</p> <ul style="list-style-type: none"> <li>• MT 4088:</li> <li>• MT 4099:</li> <li>• MT 4138:</li> <li>• MT 6258:</li> <li>• MT 7220:</li> <li>• MT 7354:</li> <li>• MT 7357:</li> <li>• MT 7360:</li> <li>• MT 7483:</li> <li>• MT 8910:</li> <li>• MT 9964:</li> <li>• MT 3379, 4083, 5897, 6137, 6234, 6303, 7174, 7346, 7582, 7627, 7630, and 7638_SB</li> </ul>	89Y0198	2
2	<p>Microprocessor, Intel Core 2 Quad Q9505 2.83GHZ /1333 MHz/6MB R-0 95W</p> <ul style="list-style-type: none"> <li>• MT 4088:</li> <li>• MT 4099:</li> <li>• MT 4138:</li> <li>• MT 6258:</li> <li>• MT 7220:</li> <li>• MT 7354:</li> <li>• MT 7357:</li> <li>• MT 7360:</li> <li>• MT 7483:</li> <li>• MT 8910:</li> <li>• MT 9964:</li> <li>• MT 3379, 4083, 5897, 6137, 6234, 6303, 7174, 7346, 7582, 7627, 7630, and 7638_SB</li> </ul>	71Y6354	2
2	<p>Microprocessor, Intel Pentium Dual Core E6700 3.20GHZ/1066MHZ/2M VT R0 65W</p> <ul style="list-style-type: none"> <li>• MT 4088:</li> <li>• MT 4099:</li> <li>• MT 4138:</li> <li>• MT 6258: DAU DAF</li> <li>• MT 7220:</li> <li>• MT 7354:</li> <li>• MT 7357:</li> <li>• MT 7360: F2M EVU EVF</li> <li>• MT 7483:</li> </ul>	03T6009	2

Item #	FRUs	FRU #	CRU
	<ul style="list-style-type: none"> <li>• MT 8910:</li> <li>• MT 9964:</li> <li>• MT 3379, 4083, 5897, 6137, 6234, 6303, 7174, 7346, 7582, 7627, 7630, and 7638_SB</li> </ul>		
2	<p>Microprocessor, E6800 Pentium Dual Core 3.3GHZ/1066MHZ/2M Wolfdale-2M R-0 Stepping</p> <ul style="list-style-type: none"> <li>• MT 4088:</li> <li>• MT 4099:</li> <li>• MT 4138:</li> <li>• MT 6258:</li> <li>• MT 7220:</li> <li>• MT 7354:</li> <li>• MT 7357:</li> <li>• MT 7360:</li> <li>• MT 7483:</li> <li>• MT 8910:</li> <li>• MT 9964:</li> <li>• MT 3379, 4083, 5897, 6137, 6234, 6303, 7174, 7346, 7582, 7627, 7630, and 7638_SB</li> </ul>	03T6006	2
2	<p>Microprocessor, E5700 Pentium Dual Core 3.0GHZ/800Mhz/2M,Wolfdale-2M R-0 Stepping</p> <ul style="list-style-type: none"> <li>• MT 4088:</li> <li>• MT 4099:</li> <li>• MT 4138:</li> <li>• MT 6258:</li> <li>• MT 7220:</li> <li>• MT 7354:</li> <li>• MT 7357:</li> <li>• MT 7360: F1M</li> <li>• MT 7483:</li> <li>• MT 8910:</li> <li>• MT 9964:</li> <li>• MT 3379, 4083, 5897, 6137, 6234, 6303, 7174, 7346, 7582, 7627, 7630, and 7638_SB</li> </ul>	03T6007	2
2	<p>Microprocessor, E3500 Celeron Dual Core 2.7GHZ/800MHZ/1M Wolfdale-1M R-0 Stepping</p> <ul style="list-style-type: none"> <li>• MT 4088:</li> <li>• MT 4099:</li> <li>• MT 4138:</li> <li>• MT 6258:</li> <li>• MT 7220:</li> <li>• MT 7354:</li> <li>• MT 7357:</li> <li>• MT 7360:</li> </ul>	03T6008	2

Item #	FRUs	FRU #	CRU
	<ul style="list-style-type: none"> <li>• MT 7483:</li> <li>• MT 8910:</li> <li>• MT 9964:</li> <li>• MT 3379, 4083, 5897, 6137, 6234, 6303, 7174, 7346, 7582, 7627, 7630, and 7638_SB</li> </ul>		
3	C2 Intrusion Switch <ul style="list-style-type: none"> <li>• MT 4088: all models</li> <li>• MT 4099: all models</li> <li>• MT 4138: all models</li> <li>• MT 6258: all models</li> <li>• MT 7220: all models</li> <li>• MT 7354: all models</li> <li>• MT 7357: all models</li> <li>• MT 7360: all models</li> <li>• MT 7483: all models</li> <li>• MT 8910: all models</li> <li>• MT 9964: all models</li> <li>• MT 3379, 4083, 5897, 6137, 6234, 6303, 7174, 7346, 7582, 7627, 7630, and 7638_SB</li> </ul>	43N9080	2
4	Optical drive, DVD-ROM 16X Max SATA <ul style="list-style-type: none"> <li>• MT 4088:</li> <li>• MT 4099:</li> <li>• MT 4138:</li> <li>• MT 6258: B4J B6J B1U B1F B8J D8J E1J</li> <li>• MT 7220: AKJ B2J C1J</li> <li>• MT 7354:</li> <li>• MT 7357:</li> <li>• MT 7360: DFM DNM EFU EFF EKV ELV EMV</li> <li>• MT 7483: BFM BGM BTJ</li> <li>• MT 8910:</li> <li>• MT 9964:</li> <li>• MT 3379, 4083, 5897, 6137, 6234, 6303, 7174, 7346, 7582, 7627, 7630, and 7638_SB</li> </ul>	41N3325	1
4	Optical drive, DVD Recordable SATA/CD-RW Rambo 8 - SATA Vista & non-Vista <ul style="list-style-type: none"> <li>• MT 4088: A1G</li> <li>• MT 4099: A1G A2G A3G</li> <li>• MT 4138: A1G A2G</li> <li>• MT 6258: BGA BGT BBM BCM BDM BEM BFM B2J B3J B5J AWU AWF AVU AVF B7J D2G D3G D6G D7U D7F D7L D9U D9F DBU DBF DAU DAF DDG DFM E2J</li> <li>• MT 7220: APM AQM ARM ALM AMM ANM AHJ AJJ AVG AWG B1G ASG AUG AVU AVF AVS AVP AVL AVD AVY AVM AVA AVQ AVT AVC AVB AVH AVV AVK AVR AVE AVJ B3U B3F B4U B4F B5Q C2J</li> </ul>	43C1042	1

Item #	FRUs	FRU #	CRU
	<ul style="list-style-type: none"> <li>• MT 7354:</li> <li>• MT 7357: A4G A5G A2G A3G</li> <li>• MT 7360: E6A E6T E7A E7T E8A E8T E9A E9T EBA EBT DGM DHM DKM DLM DMM DPM DPA DPT DQM DRM DSM DUM DWM E3M E4M E5M ECU ECF DBU DBF EDU EDF EGU EGF EHU EHF EJS EJD EJY ENA ENT EPU EPF EPL EQU EQF EQL ERM ESM ETM EUU EUF F1M F2M EVU EVF F3M F4M F5M F6M F7M</li> <li>• MT 7483: BKA BKT B4M B5M B6M B7M B8M B9M BBM BCM BDM BEM BHM BJM BLQ BRU BRF BSJ BUM BVU BVF BWU BWF D1Q D2M &lt;</li> </ul>		
4	<p>Optical drive, DVD Recorder Rambo 8 - SATA 12XRAM write</p> <ul style="list-style-type: none"> <li>• MT 4088:</li> <li>• MT 4099:</li> <li>• MT 4138:</li> <li>• MT 6258: BGA BGT BBM BCM BDM BEM BFM B2J B3J B5J AWU AWF AVU AVF B7J D2G D3G D6G D7U D7F D7L D9U D9F DBU DBF DAU DAF DDG DFM E2J</li> <li>• MT 7220: APM AQM ARM ALM AMM ANM AHJ AJJ AVG AWG B1G ASG AUG AVU AVF AVS AVP AVL AVD AVY AVM AVA AVQ AVT AVC AVB AVH AVV AVK AVR AVE AVJ B3U B3F B4U B4F B5Q C2J</li> <li>• MT 7354:</li> <li>• MT 7357:</li> <li>• MT 7360: E6A E6T E7A E7T E8A E8T E9A E9T EBA EBT DGM DHM DKM DLM DMM DPM DPA DPT DQM DRM DSM DUM DWM E3M E4M E5M ECU ECF DBU DBF EDU EDF EGU EGF EHU EHF EJS EJD EJY ENA ENT EPU EPF EPL EQU EQF EQL ERM ESM ETM EUU EUF F1M F2M EVU EVF F3M F4M F5M F6M F7M</li> <li>• MT 7483: BKA BKT B4M B5M B6M B7M B8M B9M BBM BCM BDM BEM BHM BJM BLQ BRU BRF BSJ BUM BVU BVF BWU BWF D1Q D2M</li> <li>• MT 8910: ALU ALF ALS ALP ALD ALY AMU AMF AMS AMP AMD AMY ANS ANY AQU AQF AQS ARU ARF ARS ASU ASF ASS ATU ATF ATS AUU AUF AUS B1S B1D B1Y B2S B2D B2Y B3S B3D B3Y B4U B4F B4S B5S B5D B5Y B6S B6D B6Y</li> <li>• MT 9964: A6G A7U A7F A7S A7P A7D A7Y A8U A8F A8S A8P A8D A8Y A9S A9Y AAG ABU ABF ABS ACU ACF ACS ADU ADF ADS AES AED AEY</li> <li>• MT 3379, 4083, 5897, 6137, 6234, 6303, 7174, 7346, 7582, 7627, 7630, and 7638_SB</li> </ul>	71Y5545	1
4	<p>Optical drive, DVD-ROM Drive - 16x/48x - SATA</p> <ul style="list-style-type: none"> <li>• MT 4088:</li> <li>• MT 4099:</li> <li>• MT 4138:</li> <li>• MT 6258: D8J</li> <li>• MT 7220: B2J</li> <li>• MT 7354:</li> <li>• MT 7357:</li> <li>• MT 7360: DFM DNM EFU EFF EKV ELV EMV</li> <li>• MT 7483: BTJ</li> <li>• MT 8910:</li> <li>• MT 9964:</li> </ul>	71Y5543	1

Item #	FRUs	FRU #	CRU
	<ul style="list-style-type: none"> <li>MT 3379, 4083, 5897, 6137, 6234, 6303, 7174, 7346, 7582, 7627, 7630, and 7638_SB</li> </ul>		
5	<p>System board, 607BT - Antelope GA Level (Modified version)</p> <ul style="list-style-type: none"> <li>MT 4088: A1G</li> <li>MT 4099: A1G A2G A3G</li> <li>MT 4138: A1G A2G</li> <li>MT 6258: BGA BGT BBM BCM BDM BEM BFM B2J B3J B4J B5J B6J AWU AWF B1U B1F AVU AVF B7J B8J D2G D3G D6G D7U D7F D7L D8J D9U D9F DBU DBF DAU DAF DDG DFM E1J E2J</li> <li>MT 7220: APM AQM ARM ALM AMM ANM AHJ AJJ AKJ AVG AWG B1G B2J ASG AUG AVU AVF AVS AVP AVL AVD AVY AVM AVA AVQ AVT AVC AVB AVH AVV AVK AVR AVE AVJ B3U B3F B4U B4F B5Q C1J C2J</li> <li>MT 7354: A2G A3G</li> <li>MT 7357: A4G A5G A2G A3G</li> <li>MT 7360: E6A E6T E7A E7T E8A E8T E9A E9T EBA EBT DFM DGM DHM DKM DLM DMM DNM DPM DPA DPT DQM DRM DSM DUM DWM E3M E4M E5M ECU ECF DBU DBF EDU EDF EFU EFF EGU EGF EHU DHF EJS EJD EJY EKV ELV EMV ENA ENT EPU EPF EPL EQU EQF EQL ERM ESM ETM EEU EUF F1M F2M EVU EVF F3M F4M F5M F6M F7M</li> <li>MT 7483: BKA BKT B4M B5M B6M B7M B8M B9M BBM BCM BDM BEM BFM BGM BHM BJM BLQ BRU BRF BSJ BTJ BUM BVU BVF BWU BWF D1Q D2M</li> <li>MT 8910: ALU ALF ALS ALP ALD ALY AMU AMF AMS AMP AMD AMY ANS ANY AQU AQF AQS ARU ARF ARS ASU ASF ASS ATU ATF ATS AUU AUF AUS B1S B1D B1Y B2S B2D B2Y B3S B3D B3Y B4U B4F B4S B5S B5D B5Y B6S B6D B6Y</li> <li>MT 9964: A6G A7U A7F A7S A7P A7D A7Y A8U A8F A8S A8P A8D A8Y A9S A9Y AAG ABU ABF ABS ACU ACF ACS ADU ADF ADS AES AED AEY</li> <li>MT 3379, 4083, 5897, 6137, 6234, 6303, 7174, 7346, 7582, 7627, 7630, and 7638_SB</li> </ul>	64Y3055	N
5	<p>System board, Planar Antelope Intel Q45 (GIGA) GA level (Modified Version)support Win7</p> <ul style="list-style-type: none"> <li>MT 4088: A1G</li> <li>MT 4099: A1G A2G A3G</li> <li>MT 4138: A1G A2G</li> <li>MT 6258: BGA BGT BBM BCM BDM BEM BFM B2J B3J B4J B5J B6J AWU AWF B1U B1F AVU AVF B7J B8J D2G D3G D6G D7U D7F D7L D8J D9U D9F DBU DBF DAU DAF DDG DFM E1J E2J</li> <li>MT 7220: APM AQM ARM ALM AMM ANM AHJ AJJ AKJ AVG AWG B1G B2J ASG AUG AVU AVF AVS AVP AVL AVD AVY AVM AVA AVQ AVT AVC AVB AVH AVV AVK AVR AVE AVJ B3U B3F B4U B4F B5Q C1J C2J</li> <li>MT 7354: A2G A3G</li> <li>MT 7357: A4G A5G A2G A3G</li> <li>MT 7360: E6A E6T E7A E7T E8A E8T E9A E9T EBA EBT DFM DGM DHM DKM DLM DMM DNM DPM DPA DPT DQM DRM DSM DUM DWM E3M E4M E5M ECU ECF DBU DBF EDU EDF EFU EFF EGU EGF EHU DHF EJS EJD EJY EKV ELV EMV ENA ENT EPU EPF EPL EQU EQF EQL ERM ESM ETM EEU EUF F1M F2M EVU EVF F3M F4M F5M F6M F7M</li> </ul>	03T7032	N

Item #	FRUs	FRU #	CRU
	<ul style="list-style-type: none"> <li>• MT 7483: BKA BKT B4M B5M B6M B7M B8M B9M BBM BCM BDM BEM BFM BGM BHM BJM BLQ BRU BRF BSJ BTJ BUM BVU BVF BWU BWF D1Q D2M</li> <li>• MT 8910: ALU ALF ALS ALP ALD ALY AMU AMF AMS AMP AMD AMY ANS ANY AQU AQF AQS ARU ARF ARS ASU ASF ASS ATU ATF ATS AUU AUF AUS B1S B1D B1Y B2S B2D B2Y B3S B3D B3Y B4U B4F B4S B5S B5D B5Y B6S B6D B6Y</li> <li>• MT 9964: A6G A7U A7F A7S A7P A7D A7Y A8U A8F A8S A8P A8D A8Y A9S A9Y AAG ABU ABF ABS ACU ACF ACS ADU ADF ADS AES AED AEY</li> <li>• MT 3379, 4083, 5897, 6137, 6234, 6303, 7174, 7346, 7582, 7627, 7630, and 7638_SB</li> </ul>		
5	<p>System board, Russian only System Planar Antelope Intel Q45(GIGA) TPM Disable</p> <ul style="list-style-type: none"> <li>• MT 4088:</li> <li>• MT 4099:</li> <li>• MT 4138:</li> <li>• MT 6258: D2G D3G D6G DDG</li> <li>• MT 7220:</li> <li>• MT 7354:</li> <li>• MT 7357:</li> <li>• MT 7360:</li> <li>• MT 7483:</li> <li>• MT 8910:</li> <li>• MT 9964:</li> <li>• MT 3379, 4083, 5897, 6137, 6234, 6303, 7174, 7346, 7582, 7627, 7630, and 7638_SB</li> </ul>	64Y5547	N
5	<p>System board, System Planar Antelope Intel Q45(GIGA) TPM Disable(Modified Version) support Win7</p> <ul style="list-style-type: none"> <li>• MT 4088:</li> <li>• MT 4099:</li> <li>• MT 4138:</li> <li>• MT 6258: BGA BGT BBM BCM BDM BEM BFM B2J B3J B4J B5J B6J AWU AWF B1U B1F AVU AVF B7J B8J D2G D3G D6G D7U D7F D7L D8J D9U D9F DBU DBF DAU DAF DDG DFM E1J E2J</li> <li>• MT 7220: APM AQM ARM ALM AMM ANM AHJ AJJ AKJ AVG AWG B1G B2J ASG AUG AVU AVF AVS AVP AVL AVD AVY AVM AVA AVQ AVT AVC AVB AVH AVV AVK AVR AVE AVJ B3U B3F B4U B4F B5Q C1J C2J</li> <li>• MT 7354:</li> <li>• MT 7357:</li> <li>• MT 7360: E6A E6T E7A E7T E8A E8T E9A E9T EBA EBT DFM DGM DHM DKM DLM DMM DNM DPM DPA DPT DQM DRM DSM DUM DWM E3M E4M E5M ECU ECF DBU DBF EDU EDF EFU EFF EGU EGF EHU DHF EJS EJD EYJ EKV ELV EMV ENA ENT EPU EPF EPL EQU EQF EQL ERM ESM ETM EEU EUF F1M F2M EVU EVF F3M F4M F5M F6M F7M</li> <li>• MT 7483: BKA BKT B4M B5M B6M B7M B8M B9M BBM BCM BDM BEM BFM BGM BHM BJM BLQ BRU BRF BSJ BTJ BUM BVU BVF BWU BWF D1Q D2M&lt;</li> </ul>	03T7033	N

Item #	FRUs	FRU #	CRU
	<ul style="list-style-type: none"> <li>• MT 8910: ALU ALF ALS ALP ALD ALY AMU AMF AMS AMP AMD AMY ANS ANY AQU AQF AQS ARU ARF ARS ASU ASF ASS ATU ATF ATS AUU AUF AUS B1S B1D B1Y B2S B2D B2Y B3S B3D B3Y B4U B4F B4S B5S B5D B5Y B6S B6D B6Y</li> <li>• MT 9964: A6G A7U A7F A7S A7P A7D A7Y A8U A8F A8S A8P A8D A8Y A9S A9Y AAG ABU ABF ABS ACU ACF ACS ADU ADF ADS AES AED AEY</li> <li>• MT 3379, 4083, 5897, 6137, 6234, 6303, 7174, 7346, 7582, 7627, 7630, and 7638_SB</li> </ul>		
6	<p>Memory module, 1GB PC3-8500 1066MHz DDR3 UDIMM</p> <ul style="list-style-type: none"> <li>• MT 4088:</li> <li>• MT 4099:</li> <li>• MT 4138:</li> <li>• MT 6258: B5J B6J B1U B1F B7J B8J D7U D7F D7L</li> <li>• MT 7220: B4U B4F</li> <li>• MT 7354:</li> <li>• MT 7357:</li> <li>• MT 7360: E6A E6T E7A E7T EFU EFF ENA ENT F1M</li> <li>• MT 7483: BVU BVF</li> <li>• MT 8910:</li> <li>• MT 9964:</li> <li>• MT 3379, 4083, 5897, 6137, 6234, 6303, 7174, 7346, 7582, 7627, 7630, and 7638_SB</li> </ul>	46R3322	1
6	<p>Memory module, 2GB PC3-8500 1066MHz DDR3 UDIMM</p> <ul style="list-style-type: none"> <li>• MT 4088: A1G</li> <li>• MT 4099: A1G A2G A3G</li> <li>• MT 4138: A1G A2G</li> <li>• MT 6258: BGA BGT BBM BCM BDM BEM BFM B2J B3J B4J AWU AWF AVU AVF D2G D3G D6G D8J D9U D9F DBU DBF DAU DAF DDG DFM E1J E2J</li> <li>• MT 7220: APM AQM ARM ALM AMM ANM AHJ AJJ AKJ AVG AWG B1G B2J ASG AUG AVU AVF AVS AVP AVL AVD AVY AVM AVA AVQ AVT AVC AVB AVH AVV AVK AVR AVE AVJ B3U B3F B5Q C1J C2J</li> <li>• MT 7354: A2G A3G</li> <li>• MT 7357: A4G A5G A2G A3G</li> <li>• MT 7360: E8A E8T E9A E9T EBA EBT DFM DGM DHM DKM DLM DMM DNM DPM DPA DPT DQM DRM DSM DUM DWM E3M E4M E5M ECU ECF DBU DBF EDU EDF EGU EGF EHU EHF EJS EJD EJV EKV ELV EMV EPU EPF EPL EQU EQF EQL ERM ESM ETM EUU EUF F2M EVU EVF F3M F4M F5M F6M F7M</li> <li>• MT 7483: BKA BKT B4M B5M B6M B7M B8M B9M BBM BCM BDM BEM BFM BGM BHM BJM BLQ BRU BRF BSJ BTJ BUM BWU BWF D1Q D2M</li> <li>• MT 8910: ALU ALF ALS ALP ALD ALY AMU AMF AMS AMP AMD AMY ANS ANY AQU AQF AQS ARU ARF ARS ASU ASF ASS ATU ATF ATS AUU AUF AUS B1S B1D B1Y B2S B2D B2Y B3S B3D B3Y B4U B4F B4S B5S B5D B5Y B6S B6D B6Y</li> <li>• MT 9964: A6G A7U A7F A7S A7P A7D A7Y A8U A8F A8S A8P A8D A8Y A9S A9Y AAG ABU ABF ABS ACU ACF ACS ADU ADF ADS AES AED AEY</li> </ul>	46R3323	1

Item #	FRUs	FRU #	CRU
	<ul style="list-style-type: none"> <li>• MT 3379, 4083, 5897, 6137, 6234, 6303, 7174, 7346, 7582, 7627, 7630, and 7638_SB</li> </ul>		
6	Memory module, 1GB PC3-10600 1333MHz DDR3 UDIMM <ul style="list-style-type: none"> <li>• MT 4088:</li> <li>• MT 4099:</li> <li>• MT 4138:</li> <li>• MT 6258:</li> <li>• MT 7220:</li> <li>• MT 7354:</li> <li>• MT 7357:</li> <li>• MT 7360:</li> <li>• MT 7483:</li> <li>• MT 8910:</li> <li>• MT 9964:</li> <li>• MT 3379, 4083, 5897, 6137, 6234, 6303, 7174, 7346, 7582, 7627, 7630, and 7638_SB</li> </ul>	64Y6648	1
6	Memory module, 2GB PC3-10600 1333MHz DDR3 UDIMM <ul style="list-style-type: none"> <li>• MT 4088:</li> <li>• MT 4099:</li> <li>• MT 4138:</li> <li>• MT 6258:</li> <li>• MT 7220:</li> <li>• MT 7354:</li> <li>• MT 7357:</li> <li>• MT 7360:</li> <li>• MT 7483:</li> <li>• MT 8910:</li> <li>• MT 9964:</li> <li>• MT 3379, 4083, 5897, 6137, 6234, 6303, 7174, 7346, 7582, 7627, 7630, and 7638_SB</li> </ul>	64Y6649	1
6	Memory module, 4GB PC3-10600 1333MHz DDR3 UDIMM <ul style="list-style-type: none"> <li>• MT 4088:</li> <li>• MT 4099:</li> <li>• MT 4138:</li> <li>• MT 6258:</li> <li>• MT 7220:</li> <li>• MT 7354:</li> <li>• MT 7357:</li> <li>• MT 7360:</li> <li>• MT 7483:</li> <li>• MT 8910:</li> <li>• MT 9964:</li> </ul>	89Y9224	1



Item #	FRUs	FRU #	CRU
	<ul style="list-style-type: none"> <li>• MT 3379, 4083, 5897, 6137, 6234, 6303, 7174, 7346, 7582, 7627, 7630, and 7638_SB</li> </ul>		
7	<p>Power supply, 280 Watt SFF power supply - standard, robust, JP</p> <ul style="list-style-type: none"> <li>• MT 4088: A1G</li> <li>• MT 4099: A1G A2G A3G</li> <li>• MT 4138: A1G A2G</li> <li>• MT 6258: B2J B3J B4J B5J B6J B7J B8J D2G D3G D6G D7U D7F D7L D8J D9U D9F DBU DBF DAU DAF DDG DFM E1J E2J</li> <li>• MT 7220: AHJ AJJ AKJ AVG AWG B1G B2J ASG AUG AVU AVF AVS AVP AVL AVD AVY AVM AVA AVQ AVT AVC AVB AVH AVV AVK AVR AVE AVJ B3U B3F B4U B4F B5Q C1J C2J</li> <li>• MT 7354: A2G A3G</li> <li>• MT 7357: A4G A5G A2G A3G</li> <li>• MT 7360: E6A E6T E7A E7T E8A E8T E9A E9T EBA EBT DFM DGM DHM DKM DLM DMM DNM DPM DPA DPT DQM DRM DSM DUM DWM E3M E4M E5M ECU ECF DBU DBF EDU EDF EFU EFF EGU EGF EHU EHF EJS EJD EJY EKV ELV EMV ENA ENT EPU EPF EPL EQU EQF EQL ERM ESM ETM EEU EUF F1M F2M EVU EVF F3M F4M F5M F6M F7M</li> <li>• MT 7483: BKA BKT B4M B5M B6M B7M B8M B9M BBM BCM BDM BEM BFM BGM BHM BJM BLQ BRU BRF BSJ BTJ BUM BVU BVF BWU BWF D1Q D2M</li> <li>• MT 8910: ALU ALF ALS ALP ALD ALY AMU AMF AMS AMP AMD AMY ANS ANY AQU AQF AQS ARU ARF ARS ASU ASF ASS ATU ATF ATS AUU AUF AUS B1S B1D B1Y B2S B2D B2Y B3S B3D B3Y B4U B4F B4S B5S B5D B5Y B6S B6D B6Y</li> <li>• MT 9964: A6G A7U A7F A7S A7P A7D A7Y A8U A8F A8S A8P A8D A8Y A9S A9Y AAG ABU ABF ABS ACU ACF ACS ADU ADF ADS AES AED AEY</li> <li>• MT 3379, 4083, 5897, 6137, 6234, 6303, 7174, 7346, 7582, 7627, 7630, and 7638_SB</li> </ul>	45J9418	1
7	<p>Power supply, 280 Watt SFF power supply (85plus) - standard, robust, JP</p> <ul style="list-style-type: none"> <li>• MT 4088: A1G</li> <li>• MT 4099: A1G A2G A3G</li> <li>• MT 4138: A1G A2G</li> <li>• MT 6258: B2J B3J B4J B5J B6J B7J B8J D2G D3G D6G D7U D7F D7L D8J D9U D9F DBU DBF DAU DAF DDG DFM E1J E2J</li> <li>• MT 7220: AHJ AJJ AKJ AVG AWG B1G B2J ASG AUG AVU AVF AVS AVP AVL AVD AVY AVM AVA AVQ AVT AVC AVB AVH AVV AVK AVR AVE AVJ B3U B3F B4U B4F B5Q C1J C2J</li> <li>• MT 7354: A2G A3G</li> <li>• MT 7357: A4G A5G A2G A3G</li> <li>• MT 7360: E6A E6T E7A E7T E8A E8T E9A E9T EBA EBT DFM DGM DHM DKM DLM DMM DNM DPM DPA DPT DQM DRM DSM DUM DWM E3M E4M E5M ECU ECF DBU DBF EDU EDF EFU EFF EGU EGF EHU EHF EJS EJD EJY EKV ELV EMV ENA ENT EPU EPF EPL EQU EQF EQL ERM ESM ETM EEU EUF F1M F2M EVU EVF F3M F4M F5M F6M F7M</li> <li>• MT 7483: BKA BKT B4M B5M B6M B7M B8M B9M BBM BCM BDM BEM BFM BGM BHM BJM BLQ BRU BRF BSJ BTJ BUM BVU BVF BWU BWF D1Q D2M</li> </ul>	45J9423	1

Item #	FRUs	FRU #	CRU
	<ul style="list-style-type: none"> <li>• MT 8910: ALU ALF ALS ALP ALD ALY AMU AMF AMS AMP AMD AMY ANS ANY AQU AQF AQS ARU ARF ARS ASU ASF ASS ATU ATF ATS AUU AUF AUS B1S B1D B1Y B2S B2D B2Y B3S B3D B3Y B4U B4F B4S B5S B5D B5Y B6S B6D B6Y</li> <li>• MT 9964: A6G A7U A7F A7S A7P A7D A7Y A8U A8F A8S A8P A8D A8Y A9S A9Y AAG ABU ABF ABS ACU ACF ACS ADU ADF ADS AES AED AEY</li> <li>• MT 3379, 4083, 5897, 6137, 6234, 6303, 7174, 7346, 7582, 7627, 7630, and 7638_SB</li> </ul>		
7	<p>Power supply, 280 Watt SFF Power Supply - Standard, Robust, JP</p> <ul style="list-style-type: none"> <li>• MT 4088: A1G</li> <li>• MT 4099: A1G</li> <li>• MT 4138: A1G A2G</li> <li>• MT 6258: B2J B3J B4J B5J B6J B7J B8J D2G D3G D6G D7U D7F D7L D8J D9U D9F DBU DBF DAU DAF DDG DFM E1J E2J</li> <li>• MT 7220: AHJ AJJ AKJ AVG AWG B1G B2J ASG AUG AVU AVF AVS AVP AVL AVD AVY AVM AVA AVQ AVT AVC AVB AVH AVV AVK AVR AVE AVJ B3U B3F B4U B4F B5Q C1J C2J</li> <li>• MT 7354: A2G A3G</li> <li>• MT 7357: A4G A5G A2G A3G</li> <li>• MT 7360: E6A E6T E7A E7T E8A E8T E9A E9T EBA EBT DFM DGM DHM DKM DLM DMM DNM DPM DPA DPT DQM DRM DSM DUM DWM E3M E4M E5M ECU ECF DBU DBF EDU EDF EFU EFF EGU EGF EHU EHF EJS EJD EJY EKV ELV EMV ENA ENT EPU EPF EPL EQU EQF EQL ERM ESM ETM EUU EUF F1M F2M EVU EVF F3M F4M F5M F6M F7M</li> <li>• MT 7483: BKA BKT B4M B5M B6M B7M B8M B9M BBM BCM BDM BEM BFM BGM BHM BJM BLQ BRU BRF BSJ BTJ BUM BVU BVF BWU BWF D1Q D2M</li> <li>• MT 8910: ALU ALF ALS ALP ALD ALY AMU AMF AMS AMP AMD AMY ANS ANY AQU AQF AQS ARU ARF ARS ASU ASF ASS ATU ATF ATS AUU AUF AUS B1S B1D B1Y B2S B2D B2Y B3S B3D B3Y B4U B4F B4S B5S B5D B5Y B6S B6D B6Y</li> <li>• MT 9964: A6G A7U A7F A7S A7P A7D A7Y A8U A8F A8S A8P A8D A8Y A9S A9Y AAG ABU ABF ABS ACU ACF ACS ADU ADF ADS AES AED AEY</li> <li>• MT 3379, 4083, 5897, 6137, 6234, 6303, 7174, 7346, 7582, 7627, 7630, and 7638_SB</li> </ul>	54Y8804	1

## Mechanical FRUs

The FRUs listed in the following tables are not illustrated.

FRUs	FRU #	CRU
Cable-SATA 250mm (RoHS) <ul style="list-style-type: none"> <li>• MT 4088: all models</li> <li>• MT 4099: all models</li> <li>• MT 4138: all models</li> <li>• MT 6258: all models</li> <li>• MT 7220: all models</li> <li>• MT 7354: all models</li> <li>• MT 7357: all models</li> <li>• MT 7360: all models</li> <li>• MT 7483: all models</li> <li>• MT 8910: all models</li> <li>• MT 9964: all models</li> <li>• MT 3379, 4083, 5897, 6137, 6234, 6303, 7174, 7346, 7582, 7627, 7630, and 7638_SB</li> </ul>	43N9012	2
Cabel-SATA 700mm (RoHS) <ul style="list-style-type: none"> <li>• MT 4088: all models</li> <li>• MT 4099: all models</li> <li>• MT 4138: all models</li> <li>• MT 6258: all models</li> <li>• MT 7220: all models</li> <li>• MT 7354: all models</li> <li>• MT 7357: all models</li> <li>• MT 7360: all models</li> <li>• MT 7483: all models</li> <li>• MT 8910: all models</li> <li>• MT 9964: all models</li> <li>• MT 3379, 4083, 5897, 6137, 6234, 6303, 7174, 7346, 7582, 7627, 7630, and 7638_SB</li> </ul>	43N9011	2
Cabel-SATA 600mm (RoHS) <ul style="list-style-type: none"> <li>• MT 4088: all models</li> <li>• MT 4099: all models</li> <li>• MT 4138: all models</li> <li>• MT 6258: all models</li> <li>• MT 7220: all models</li> <li>• MT 7354: all models</li> <li>• MT 7357: all models</li> <li>• MT 7360: all models</li> <li>• MT 7483: all models</li> <li>• MT 8910: all models</li> <li>• MT 9964: all models</li> <li>• MT 3379, 4083, 5897, 6137, 6234, 6303, 7174, 7346, 7582, 7627, 7630, and 7638_SB</li> </ul>	45J9579	2

FRUs	FRU #	CRU
Second serial port cable 120mm <ul style="list-style-type: none"> <li>• MT 4088: all models</li> <li>• MT 4099: all models</li> <li>• MT 4138: all models</li> <li>• MT 6258: all models</li> <li>• MT 7220: all models</li> <li>• MT 7354: all models</li> <li>• MT 7357: all models</li> <li>• MT 7360: all models</li> <li>• MT 7483: all models</li> <li>• MT 8910: all models</li> <li>• MT 9964: all models</li> <li>• MT 3379, 4083, 5897, 6137, 6234, 6303, 7174, 7346, 7582, 7627, 7630, and 7638_SB</li> </ul>	41R3388	2
Second serial port cable 120mm <ul style="list-style-type: none"> <li>• MT 4088: all models</li> <li>• MT 4099: all models</li> <li>• MT 4138: all models</li> <li>• MT 6258: all models</li> <li>• MT 7220: all models</li> <li>• MT 7354: all models</li> <li>• MT 7357: all models</li> <li>• MT 7360: all models</li> <li>• MT 7483: all models</li> <li>• MT 8910: all models</li> <li>• MT 9964: all models</li> <li>• MT 3379, 4083, 5897, 6137, 6234, 6303, 7174, 7346, 7582, 7627, 7630, and 7638_SB</li> </ul>	43N9062	2
FRU, 95W thermal kit <ul style="list-style-type: none"> <li>• MT 4088: all models</li> <li>• MT 4099: all models</li> <li>• MT 4138: all models</li> <li>• MT 6258: all models</li> <li>• MT 7220: all models</li> <li>• MT 7354: all models</li> <li>• MT 7357: all models</li> <li>• MT 7360: all models</li> <li>• MT 7483: all models</li> <li>• MT 8910: all models</li> <li>• MT 9964: all models</li> <li>• MT 3379, 4083, 5897, 6137, 6234, 6303, 7174, 7346, 7582, 7627, 7630, and 7638_SB</li> </ul>	41R6454	2

FRUs	FRU #	CRU
FRU, 65W thermal kit <ul style="list-style-type: none"> <li>• MT 4088: all models</li> <li>• MT 4099: all models</li> <li>• MT 4138: all models</li> <li>• MT 6258: all models</li> <li>• MT 7220: all models</li> <li>• MT 7354: all models</li> <li>• MT 7357: all models</li> <li>• MT 7360: all models</li> <li>• MT 7483: all models</li> <li>• MT 8910: all models</li> <li>• MT 9964: all models</li> <li>• MT 3379, 4083, 5897, 6137, 6234, 6303, 7174, 7346, 7582, 7627, 7630, and 7638_SB</li> </ul>	43N9349	2
LED/switch cable_R(non-PCB_220mm_10L) <ul style="list-style-type: none"> <li>• MT 4088: all models</li> <li>• MT 4099: all models</li> <li>• MT 4138: all models</li> <li>• MT 6258: all models</li> <li>• MT 7220: all models</li> <li>• MT 7354: all models</li> <li>• MT 7357: all models</li> <li>• MT 7360: all models</li> <li>• MT 7483: all models</li> <li>• MT 8910: all models</li> <li>• MT 9964: all models</li> <li>• MT 3379, 4083, 5897, 6137, 6234, 6303, 7174, 7346, 7582, 7627, 7630, and 7638_SB</li> </ul>	43N9075	2
Front I/O cable_R(10L_A400_U505) <ul style="list-style-type: none"> <li>• MT 4088: all models</li> <li>• MT 4099: all models</li> <li>• MT 4138: all models</li> <li>• MT 6258: all models</li> <li>• MT 7220: all models</li> <li>• MT 7354: all models</li> <li>• MT 7357: all models</li> <li>• MT 7360: all models</li> <li>• MT 7483: all models</li> <li>• MT 8910: all models</li> <li>• MT 9964: all models</li> <li>• MT 3379, 4083, 5897, 6137, 6234, 6303, 7174, 7346, 7582, 7627, 7630, and 7638_SB</li> </ul>	43N9077	2

FRUs	FRU #	CRU
Sensor cable (165mm) <ul style="list-style-type: none"> <li>• MT 4088: all models</li> <li>• MT 4099: all models</li> <li>• MT 4138: all models</li> <li>• MT 6258: all models</li> <li>• MT 7220: all models</li> <li>• MT 7354: all models</li> <li>• MT 7357: all models</li> <li>• MT 7360: all models</li> <li>• MT 7483: all models</li> <li>• MT 8910: all models</li> <li>• MT 9964: all models</li> <li>• MT 3379, 4083, 5897, 6137, 6234, 6303, 7174, 7346, 7582, 7627, 7630, and 7638_SB</li> </ul>	43N9079	2
Sensor cable (165mm) <ul style="list-style-type: none"> <li>• MT 4088: all models</li> <li>• MT 4099: all models</li> <li>• MT 4138: all models</li> <li>• MT 6258: all models</li> <li>• MT 7220: all models</li> <li>• MT 7354: all models</li> <li>• MT 7357: all models</li> <li>• MT 7360: all models</li> <li>• MT 7483: all models</li> <li>• MT 8910: all models</li> <li>• MT 9964: all models</li> <li>• MT 3379, 4083, 5897, 6137, 6234, 6303, 7174, 7346, 7582, 7627, 7630, and 7638_SB</li> </ul>	54Y9904	2
Universal adapter bracket 5.25 to 3.5 W/bezel <ul style="list-style-type: none"> <li>• MT 4088: all models</li> <li>• MT 4099: all models</li> <li>• MT 4138: all models</li> <li>• MT 6258: all models</li> <li>• MT 7220: all models</li> <li>• MT 7354: all models</li> <li>• MT 7357: all models</li> <li>• MT 7360: all models</li> <li>• MT 7483: all models</li> <li>• MT 8910: all models</li> <li>• MT 9964: all models</li> <li>• MT 3379, 4083, 5897, 6137, 6234, 6303, 7174, 7346, 7582, 7627, 7630, and 7638_SB</li> </ul>	43N9584	2

FRUs	FRU #	CRU
PCI parallel card <ul style="list-style-type: none"> <li>• MT 4088: all models</li> <li>• MT 4099: all models</li> <li>• MT 4138: all models</li> <li>• MT 6258: all models</li> <li>• MT 7220: all models</li> <li>• MT 7354: all models</li> <li>• MT 7357: all models</li> <li>• MT 7360: all models</li> <li>• MT 7483: all models</li> <li>• MT 8910: all models</li> <li>• MT 9964: all models</li> <li>• MT 3379, 4083, 5897, 6137, 6234, 6303, 7174, 7346, 7582, 7627, 7630, and 7638_SB</li> </ul>	46R1519	2
PS2 cable (370mm) <ul style="list-style-type: none"> <li>• MT 4088: all models</li> <li>• MT 4099: all models</li> <li>• MT 4138: all models</li> <li>• MT 6258: all models</li> <li>• MT 7220: all models</li> <li>• MT 7354: all models</li> <li>• MT 7357: all models</li> <li>• MT 7360: all models</li> <li>• MT 7483: all models</li> <li>• MT 8910: all models</li> <li>• MT 9964: all models</li> <li>• MT 3379, 4083, 5897, 6137, 6234, 6303, 7174, 7346, 7582, 7627, 7630, and 7638_SB</li> </ul>	43N9146	2
Vertical stand <ul style="list-style-type: none"> <li>• MT 4088: all models</li> <li>• MT 4099: all models</li> <li>• MT 4138: all models</li> <li>• MT 6258: all models</li> <li>• MT 7220: all models</li> <li>• MT 7354: all models</li> <li>• MT 7357: all models</li> <li>• MT 7360: all models</li> <li>• MT 7483: all models</li> <li>• MT 8910: all models</li> <li>• MT 9964: all models</li> <li>• MT 3379, 4083, 5897, 6137, 6234, 6303, 7174, 7346, 7582, 7627, 7630, and 7638_SB</li> </ul>	43N9585	1

FRUs	FRU #	CRU
FRU. ODD bezel with retainer clip <ul style="list-style-type: none"> <li>• MT 4088: all models</li> <li>• MT 4099: all models</li> <li>• MT 4138: all models</li> <li>• MT 6258: all models</li> <li>• MT 7220: all models</li> <li>• MT 7354: all models</li> <li>• MT 7357: all models</li> <li>• MT 7360: all models</li> <li>• MT 7483: all models</li> <li>• MT 8910: all models</li> <li>• MT 9964: all models</li> <li>• MT 3379, 4083, 5897, 6137, 6234, 6303, 7174, 7346, 7582, 7627, 7630, and 7638_SB</li> </ul>	43N9589	1
FRU, 607BT, no ODD, blank bezel, plastic <ul style="list-style-type: none"> <li>• MT 4088: all models</li> <li>• MT 4099: all models</li> <li>• MT 4138: all models</li> <li>• MT 6258: all models</li> <li>• MT 7220: all models</li> <li>• MT 7354: all models</li> <li>• MT 7357: all models</li> <li>• MT 7360: all models</li> <li>• MT 7483: all models</li> <li>• MT 8910: all models</li> <li>• MT 9964: all models</li> <li>• MT 3379, 4083, 5897, 6137, 6234, 6303, 7174, 7346, 7582, 7627, 7630, and 7638_SB</li> </ul>	43N9590	1
FRU, card reader bezel <ul style="list-style-type: none"> <li>• MT 4088: all models</li> <li>• MT 4099: all models</li> <li>• MT 4138: all models</li> <li>• MT 6258: all models</li> <li>• MT 7220: all models</li> <li>• MT 7354: all models</li> <li>• MT 7357: all models</li> <li>• MT 7360: all models</li> <li>• MT 7483: all models</li> <li>• MT 8910: all models</li> <li>• MT 9964: all models</li> <li>• MT 3379, 4083, 5897, 6137, 6234, 6303, 7174, 7346, 7582, 7627, 7630, and 7638_SB</li> </ul>	43N9591	1



FRUs	FRU #	CRU
FRU, non-card reader bezel <ul style="list-style-type: none"> <li>• MT 4088: all models</li> <li>• MT 4099: all models</li> <li>• MT 4138: all models</li> <li>• MT 6258: all models</li> <li>• MT 7220: all models</li> <li>• MT 7354: all models</li> <li>• MT 7357: all models</li> <li>• MT 7360: all models</li> <li>• MT 7483: all models</li> <li>• MT 8910: all models</li> <li>• MT 9964: all models</li> <li>• MT 3379, 4083, 5897, 6137, 6234, 6303, 7174, 7346, 7582, 7627, 7630, and 7638_SB</li> </ul>	43N9592	1
FRU, 1.8 SSD to 3.5 HDD conversion kit, no bezel, with PCB <ul style="list-style-type: none"> <li>• MT 4088: all models</li> <li>• MT 4099: all models</li> <li>• MT 4138: all models</li> <li>• MT 6258: all models</li> <li>• MT 7220: all models</li> <li>• MT 7354: all models</li> <li>• MT 7357: all models</li> <li>• MT 7360: all models</li> <li>• MT 7483: all models</li> <li>• MT 8910: all models</li> <li>• MT 9964: all models</li> <li>• MT 3379, 4083, 5897, 6137, 6234, 6303, 7174, 7346, 7582, 7627, 7630, and 7638_SB</li> </ul>	43N9593	2
FRU, top cover assembly <ul style="list-style-type: none"> <li>• MT 4088: all models</li> <li>• MT 4099: all models</li> <li>• MT 4138: all models</li> <li>• MT 6258: all models</li> <li>• MT 7220: all models</li> <li>• MT 7354: all models</li> <li>• MT 7357: all models</li> <li>• MT 7360: all models</li> <li>• MT 7483: all models</li> <li>• MT 8910: all models</li> <li>• MT 9964: all models</li> <li>• MT 3379, 4083, 5897, 6137, 6234, 6303, 7174, 7346, 7582, 7627, 7630, and 7638_SB</li> </ul>	43N9594	1

FRUs	FRU #	CRU
FRU, HDD tray assembly <ul style="list-style-type: none"> <li>• MT 4088: all models</li> <li>• MT 4099: all models</li> <li>• MT 4138: all models</li> <li>• MT 6258: all models</li> <li>• MT 7220: all models</li> <li>• MT 7354: all models</li> <li>• MT 7357: all models</li> <li>• MT 7360: all models</li> <li>• MT 7483: all models</li> <li>• MT 8910: all models</li> <li>• MT 9964: all models</li> <li>• MT 3379, 4083, 5897, 6137, 6234, 6303, 7174, 7346, 7582, 7627, 7630, and 7638_SB</li> </ul>	43N9595	1
FRU, front cage assembly <ul style="list-style-type: none"> <li>• MT 4088: all models</li> <li>• MT 4099: all models</li> <li>• MT 4138: all models</li> <li>• MT 6258: all models</li> <li>• MT 7220: all models</li> <li>• MT 7354: all models</li> <li>• MT 7357: all models</li> <li>• MT 7360: all models</li> <li>• MT 7483: all models</li> <li>• MT 8910: all models</li> <li>• MT 9964: all models</li> <li>• MT 3379, 4083, 5897, 6137, 6234, 6303, 7174, 7346, 7582, 7627, 7630, and 7638_SB</li> </ul>	43N9596	N
FRU, chassis <ul style="list-style-type: none"> <li>• MT 4088: all models</li> <li>• MT 4099: all models</li> <li>• MT 4138: all models</li> <li>• MT 6258: all models</li> <li>• MT 7220: all models</li> <li>• MT 7354: all models</li> <li>• MT 7357: all models</li> <li>• MT 7360: all models</li> <li>• MT 7483: all models</li> <li>• MT 8910: all models</li> <li>• MT 9964: all models</li> <li>• MT 3379, 4083, 5897, 6137, 6234, 6303, 7174, 7346, 7582, 7627, 7630, and 7638_SB</li> </ul>	43N9597	N

FRUs	FRU #	CRU
Parallel to parallel dongle cable_210mm_R <ul style="list-style-type: none"> <li>• MT 4088: all models</li> <li>• MT 4099: all models</li> <li>• MT 4138: all models</li> <li>• MT 6258: all models</li> <li>• MT 7220: all models</li> <li>• MT 7354: all models</li> <li>• MT 7357: all models</li> <li>• MT 7360: all models</li> <li>• MT 7483: all models</li> <li>• MT 8910: all models</li> <li>• MT 9964: all models</li> <li>• MT 3379, 4083, 5897, 6137, 6234, 6303, 7174, 7346, 7582, 7627, 7630, and 7638_SB</li> </ul>	45J9520	2
FRU, air deflector, recycle resin <ul style="list-style-type: none"> <li>• MT 4088: all models</li> <li>• MT 4099: all models</li> <li>• MT 4138: all models</li> <li>• MT 6258: all models</li> <li>• MT 7220: all models</li> <li>• MT 7354: all models</li> <li>• MT 7357: all models</li> <li>• MT 7360: all models</li> <li>• MT 7483: all models</li> <li>• MT 8910: all models</li> <li>• MT 9964: all models</li> <li>• MT 3379, 4083, 5897, 6137, 6234, 6303, 7174, 7346, 7582, 7627, 7630, and 7638_SB</li> </ul>	43N9610	2
FRU, models with 3.5" convert 2.5" for 150GB 10K rpm HDD (1st HDD bay) <ul style="list-style-type: none"> <li>• MT 4088: all models</li> <li>• MT 4099: all models</li> <li>• MT 4138: all models</li> <li>• MT 6258: all models</li> <li>• MT 7220: all models</li> <li>• MT 7354: all models</li> <li>• MT 7357: all models</li> <li>• MT 7360: all models</li> <li>• MT 7483: all models</li> <li>• MT 8910: all models</li> <li>• MT 9964: all models</li> <li>• MT 3379, 4083, 5897, 6137, 6234, 6303, 7174, 7346, 7582, 7627, 7630, and 7638_SB</li> </ul>	43N9645	2

FRUs	FRU #	CRU
FRU, card reader bracket kit <ul style="list-style-type: none"> <li>• MT 4088: all models</li> <li>• MT 4099: all models</li> <li>• MT 4138: all models</li> <li>• MT 6258: all models</li> <li>• MT 7220: all models</li> <li>• MT 7354: all models</li> <li>• MT 7357: all models</li> <li>• MT 7360: all models</li> <li>• MT 7483: all models</li> <li>• MT 8910: all models</li> <li>• MT 9964: all models</li> <li>• MT 3379, 4083, 5897, 6137, 6234, 6303, 7174, 7346, 7582, 7627, 7630, and 7638_SB</li> </ul>	43N9922	2
FRU, main bezel <ul style="list-style-type: none"> <li>• MT 4088: all models</li> <li>• MT 4099: all models</li> <li>• MT 4138: all models</li> <li>• MT 6258: all models</li> <li>• MT 7220: all models</li> <li>• MT 7354: all models</li> <li>• MT 7357: all models</li> <li>• MT 7360: all models</li> <li>• MT 7483: all models</li> <li>• MT 8910: all models</li> <li>• MT 9964: all models</li> <li>• MT 3379, 4083, 5897, 6137, 6234, 6303, 7174, 7346, 7582, 7627, 7630, and 7638_SB</li> </ul>	45K6129	2
3.5 inch to 1.8 inch convert kit, no bezel (included in 43N9568) <ul style="list-style-type: none"> <li>• MT 4088: all models</li> <li>• MT 4099: all models</li> <li>• MT 4138: all models</li> <li>• MT 6258: all models</li> <li>• MT 7220: all models</li> <li>• MT 7354: all models</li> <li>• MT 7357: all models</li> <li>• MT 7360: all models</li> <li>• MT 7483: all models</li> <li>• MT 8910: all models</li> <li>• MT 9964: all models</li> <li>• MT 3379, 4083, 5897, 6137, 6234, 6303, 7174, 7346, 7582, 7627, 7630, and 7638_SB</li> </ul>	43N9630	2

FRUs	FRU #	CRU
3.5 inch to 1.8 inch convert PCB card (included in 43N9568) <ul style="list-style-type: none"> <li>• MT 4088: all models</li> <li>• MT 4099: all models</li> <li>• MT 4138: all models</li> <li>• MT 6258: all models</li> <li>• MT 7220: all models</li> <li>• MT 7354: all models</li> <li>• MT 7357: all models</li> <li>• MT 7360: all models</li> <li>• MT 7483: all models</li> <li>• MT 8910: all models</li> <li>• MT 9964: all models</li> <li>• MT 3379, 4083, 5897, 6137, 6234, 6303, 7174, 7346, 7582, 7627, 7630, and 7638_SB</li> </ul>	53Y7647	2
Internal speaker assembly <ul style="list-style-type: none"> <li>• MT 4088: all models</li> <li>• MT 4099: all models</li> <li>• MT 4138: all models</li> <li>• MT 6258: all models</li> <li>• MT 7220: all models</li> <li>• MT 7354: all models</li> <li>• MT 7357: all models</li> <li>• MT 7360: all models</li> <li>• MT 7483: all models</li> <li>• MT 8910: all models</li> <li>• MT 9964: all models</li> <li>• MT 3379, 4083, 5897, 6137, 6234, 6303, 7174, 7346, 7582, 7627, 7630, and 7638_SB</li> </ul>	39K5012	2
FRU, power on/off cable bracket <ul style="list-style-type: none"> <li>• MT 4088: all models</li> <li>• MT 4099: all models</li> <li>• MT 4138: all models</li> <li>• MT 6258: all models</li> <li>• MT 7220: all models</li> <li>• MT 7354: all models</li> <li>• MT 7357: all models</li> <li>• MT 7360: all models</li> <li>• MT 7483: all models</li> <li>• MT 8910: all models</li> <li>• MT 9964: all models</li> <li>• MT 3379, 4083, 5897, 6137, 6234, 6303, 7174, 7346, 7582, 7627, 7630, and 7638_SB</li> </ul>	03T9519	2
FRU, advanced HDD tray assembly <ul style="list-style-type: none"> <li>• MT 4088: all models</li> <li>• MT 4099: all models</li> </ul>	45K6583	2

FRUs	FRU #	CRU
<ul style="list-style-type: none"> <li>• MT 4138: all models</li> <li>• MT 6258: all models</li> <li>• MT 7220: all models</li> <li>• MT 7354: all models</li> <li>• MT 7357: all models</li> <li>• MT 7360: all models</li> <li>• MT 7483: all models</li> <li>• MT 8910: all models</li> <li>• MT 9964: all models</li> <li>• MT 3379, 4083, 5897, 6137, 6234, 6303, 7174, 7346, 7582, 7627, 7630, and 7638_SB</li> </ul>		

## Keyboard and Mouse

Keyboard (Lenovo Preferred Pro USB -- without hub)	FRU #	CRU
US English <ul style="list-style-type: none"> <li>• MT 4088: A1G</li> <li>• MT 4099: A1G A2G A3G</li> <li>• MT 4138: A1G A2G</li> <li>• MT 6258: BGA BBM BCM BDM BEM BFM AWU B1U AVU D2G D3G D6G D7U D7L D9U DBU DAU DFM</li> <li>• MT 7220: APM AQM ARM ALM AMM ANM AVG AWG B1G ASG AUG AVU AVL AVM AVA AVQ AVH AVR AVE B3U B4U B5Q</li> <li>• MT 7354: A2G A3G</li> <li>• MT 7357: A4G A5G A2G A3G</li> <li>• MT 7360: E6A E7A E8A E9A EBA DFM DGM DHM DKM DLM DMM DNM DPM DPA DQM DRM DSM DUM DWM E3M E4M E5M ECU DBU EDU EFU EGU EHU ENA EPU EPL EQU EQL ERM ESM ETM EUU F1M F2M EVU F3M F4M F5M F6M F7M</li> <li>• MT 7483: BKA B4M B5M B6M B7M B8M B9M BBM BCM BDM BEM BFM BGM BHM BJM BLQ BRU BUM BVU BWU D1Q D2M</li> <li>• MT 8910: ALU AMU AQU ARU ASU ATU AUU B4U</li> <li>• MT 9964: A6G A7U A8U AAG ABU ACU ADU</li> <li>• MT 3379, 4083, 5897, 6137, 6234, 6303, 7174, 7346, 7582, 7627, 7630, and 7638_SB</li> </ul>	41A5289	1
Arabic <ul style="list-style-type: none"> <li>• MT 4088: A1G</li> <li>• MT 4099: A1G A2G A3G</li> <li>• MT 4138: A1G A2G</li> <li>• MT 6258:</li> <li>• MT 7220:</li> <li>• MT 7354: A2G A3G</li> <li>• MT 7357: A4G A5G A2G A3G</li> <li>• MT 7360:</li> <li>• MT 7483:</li> <li>• MT 8910:</li> <li>• MT 9964: A6G AAG</li> </ul>	41A5290	1

Keyboard (Lenovo Preferred Pro USB -- without hub)	FRU #	CRU
<ul style="list-style-type: none"> <li>• MT 3379, 4083, 5897, 6137, 6234, 6303, 7174, 7346, 7582, 7627, 7630, and 7638_SB</li> </ul>		
<p>A/F</p> <ul style="list-style-type: none"> <li>• MT 4088: A1G</li> <li>• MT 4099: A1G A2G A3G</li> <li>• MT 4138: A1G A2G</li> <li>• MT 6258: D2G D3G D6G DDG</li> <li>• MT 7220: AVG AWG B1G ASG AUG</li> <li>• MT 7354: A2G A3G</li> <li>• MT 7357: A4G A5G A2G A3G</li> <li>• MT 7360:</li> <li>• MT 7483:</li> <li>• MT 8910:</li> <li>• MT 9964: A6G AAG</li> <li>• MT 3379, 4083, 5897, 6137, 6234, 6303, 7174, 7346, 7582, 7627, 7630, and 7638_SB</li> </ul>	41A5291	1
<p>B/F</p> <ul style="list-style-type: none"> <li>• MT 4088: A1G</li> <li>• MT 4099: A1G A2G A3G</li> <li>• MT 4138: A1G A2G</li> <li>• MT 6258: D2G D3G D6G DDG</li> <li>• MT 7220: AVG AWG B1G ASG AUG</li> <li>• MT 7354: A2G A3G</li> <li>• MT 7357: A4G A5G A2G A3G</li> <li>• MT 7360:</li> <li>• MT 7483:</li> <li>• MT 8910:</li> <li>• MT 9964:</li> <li>• MT 3379, 4083, 5897, 6137, 6234, 6303, 7174, 7346, 7582, 7627, 7630, and 7638_SB</li> </ul>	41A5292	1
<p>Belgium English</p> <ul style="list-style-type: none"> <li>• MT 4088: A1G</li> <li>• MT 4099: A1G A2G A3G</li> <li>• MT 4138: A1G A2G</li> <li>• MT 6258: D2G D3G D6G DDG</li> <li>• MT 7220: AVG AWG B1G ASG AUG</li> <li>• MT 7354: A2G A3G</li> <li>• MT 7357: A4G A5G A2G A3G</li> <li>• MT 7360:</li> <li>• MT 7483:</li> <li>• MT 8910:</li> <li>• MT 9964: A6G AAG</li> <li>• MT 3379, 4083, 5897, 6137, 6234, 6303, 7174, 7346, 7582, 7627, 7630, and 7638_SB</li> </ul>	41A5293	1

Keyboard (Lenovo Preferred Pro USB -- without hub)	FRU #	CRU
Brazilian Portuguese <ul style="list-style-type: none"> <li>• MT 4088:</li> <li>• MT 4099:</li> <li>• MT 4138:</li> <li>• MT 6258: D2G D3G D6G DDG</li> <li>• MT 7220: AVP</li> <li>• MT 7354:</li> <li>• MT 7357:</li> <li>• MT 7360:</li> <li>• MT 7483:</li> <li>• MT 8910: ALP AMP</li> <li>• MT 9964: A7P A8P</li> <li>• MT 3379, 4083, 5897, 6137, 6234, 6303, 7174, 7346, 7582, 7627, 7630, and 7638_SB</li> </ul>	41A5294	1
Bulgarian <ul style="list-style-type: none"> <li>• MT 4088: A1G</li> <li>• MT 4099: A1G A2G A3G</li> <li>• MT 4138: A1G A2G</li> <li>• MT 6258: D2G D3G D6G DDG</li> <li>• MT 7220:</li> <li>• MT 7354: A2G A3G</li> <li>• MT 7357: A4G A5G A2G A3G</li> <li>• MT 7360:</li> <li>• MT 7483:</li> <li>• MT 8910:</li> <li>• MT 9964: A6G AAG</li> <li>• MT 3379, 4083, 5897, 6137, 6234, 6303, 7174, 7346, 7582, 7627, 7630, and 7638_SB</li> </ul>	41A5295	1
Chinese/US <ul style="list-style-type: none"> <li>• MT 4088:</li> <li>• MT 4099:</li> <li>• MT 4138:</li> <li>• MT 6258:</li> <li>• MT 7220: AVC</li> <li>• MT 7354:</li> <li>• MT 7357:</li> <li>• MT 7360: EKV ELV EMV</li> <li>• MT 7483:</li> <li>• MT 8910:</li> <li>• MT 9964:</li> <li>• MT 3379, 4083, 5897, 6137, 6234, 6303, 7174, 7346, 7582, 7627, 7630, and 7638_SB</li> </ul>	41A5296	1



Keyboard (Lenovo Preferred Pro USB -- without hub)	FRU #	CRU
Czech (ABB) <ul style="list-style-type: none"> <li>• MT 4088: A1G</li> <li>• MT 4099: A1G A2G A3G</li> <li>• MT 4138: A1G A2G</li> <li>• MT 6258: D2G D3G D6G DDG</li> <li>• MT 7220: AVG AWG B1G ASG AUG</li> <li>• MT 7354: A2G A3G</li> <li>• MT 7357: A4G A5G A2G A3G</li> <li>• MT 7360:</li> <li>• MT 7483:</li> <li>• MT 8910:</li> <li>• MT 9964: A6G AAG</li> <li>• MT 3379, 4083, 5897, 6137, 6234, 6303, 7174, 7346, 7582, 7627, 7630, and 7638_SB</li> </ul>	41A5297	1
Danish <ul style="list-style-type: none"> <li>• MT 4088: A1G</li> <li>• MT 4099: A1G A2G A3G</li> <li>• MT 4138: A1G A2G</li> <li>• MT 6258: D2G D3G D6G DDG</li> <li>• MT 7220: AVG AWG B1G ASG AUG</li> <li>• MT 7354: A2G A3G</li> <li>• MT 7357: A4G A5G A2G A3G</li> <li>• MT 7360:</li> <li>• MT 7483:</li> <li>• MT 8910:</li> <li>• MT 9964: A6G AAG</li> <li>• MT 3379, 4083, 5897, 6137, 6234, 6303, 7174, 7346, 7582, 7627, 7630, and 7638_SB</li> </ul>	41A5298	1
Dutch <ul style="list-style-type: none"> <li>• MT 4088: A1G</li> <li>• MT 4099: A1G A2G A3G</li> <li>• MT 4138: A1G A2G</li> <li>• MT 6258: D2G D3G D6G DDG</li> <li>• MT 7220: AVG AWG B1G ASG AUG</li> <li>• MT 7354: A2G A3G</li> <li>• MT 7357: A4G A5G A2G A3G</li> <li>• MT 7360:</li> <li>• MT 7483:</li> <li>• MT 8910:</li> <li>• MT 9964: A6G AAG</li> <li>• MT 3379, 4083, 5897, 6137, 6234, 6303, 7174, 7346, 7582, 7627, 7630, and 7638_SB</li> </ul>	41A5299	1

Keyboard (Lenovo Preferred Pro USB -- without hub)	FRU #	CRU
French <ul style="list-style-type: none"> <li>• MT 4088: A1G</li> <li>• MT 4099: A1G A2G A3G</li> <li>• MT 4138: A1G A2G</li> <li>• MT 6258: D2G D3G D6G DDG</li> <li>• MT 7220: AVG AWG B1G ASG AUG</li> <li>• MT 7354: A2G A3G</li> <li>• MT 7357: A4G A5G A2G A3G</li> <li>• MT 7360:</li> <li>• MT 7483:</li> <li>• MT 8910:</li> <li>• MT 9964: A6G AAG</li> <li>• MT 3379, 4083, 5897, 6137, 6234, 6303, 7174, 7346, 7582, 7627, 7630, and 7638_SB</li> </ul>	41A5300	1
French Canadian <ul style="list-style-type: none"> <li>• MT 4088: A1G</li> <li>• MT 4099: A1G A2G A3G</li> <li>• MT 4138: A1G A2G</li> <li>• MT 6258: AWF B1F AVF D7F D9F DBF DAF</li> <li>• MT 7220: AVF B3F B4F</li> <li>• MT 7354: A2G A3G</li> <li>• MT 7357: A4G A5G A2G A3G</li> <li>• MT 7360: ECF DBF EDF EFF EGF EHF EPF EQF EUF EVF</li> <li>• MT 7483: BRF BVFBWF</li> <li>• MT 8910: ALF AMF AQF ARF ASF ATF AUF B4F</li> <li>• MT 9964: A6G A7F A8F AAG ABF ACF ADF</li> <li>• MT 3379, 4083, 5897, 6137, 6234, 6303, 7174, 7346, 7582, 7627, 7630, and 7638_SB</li> </ul>	41A5301	1
French Canadian <ul style="list-style-type: none"> <li>• MT 4088: A1G</li> <li>• MT 4099: A1G A2G A3G</li> <li>• MT 4138: A1G A2G</li> <li>• MT 6258: AWF B1F AVF D7F D9F DBF DAF</li> <li>• MT 7220: AVF B3F B4F</li> <li>• MT 7354: A2G A3G</li> <li>• MT 7357: A4G A5G A2G A3G</li> <li>• MT 7360: ECF DBF EDF EFF EGF EHF EPF EQF EUFEVF</li> <li>• MT 7483: BRF BVFBWF</li> <li>• MT 8910: ALF AMF AQF ARF ASF ATF AUF B4F</li> <li>• MT 9964: A6G A7F A8F AAG ABF ACF ADF</li> <li>• MT 3379, 4083, 5897, 6137, 6234, 6303, 7174, 7346, 7582, 7627, 7630, and 7638_SB</li> </ul>	41A5302	1

Keyboard (Lenovo Preferred Pro USB -- without hub)	FRU #	CRU
German <ul style="list-style-type: none"> <li>• MT 4088: A1G</li> <li>• MT 4099: A1G A2G A3G</li> <li>• MT 4138: A1G A2G</li> <li>• MT 6258: D2G D3G D6G DDG</li> <li>• MT 7220: AVG AWG B1G ASG AUG</li> <li>• MT 7354: A2G A3G</li> <li>• MT 7357: A4G A5G A2G A3G</li> <li>• MT 7360:</li> <li>• MT 7483:</li> <li>• MT 8910:</li> <li>• MT 9964: A6G AAG</li> <li>• MT 3379, 4083, 5897, 6137, 6234, 6303, 7174, 7346, 7582, 7627, 7630, and 7638_SB</li> </ul>	41A5303	1
Greek <ul style="list-style-type: none"> <li>• MT 4088: A1G</li> <li>• MT 4099: A1G A2G A3G</li> <li>• MT 4138: A1G A2G</li> <li>• MT 6258: D2G D3G D6G DDG</li> <li>• MT 7220: AVG AWG B1G ASG AUG</li> <li>• MT 7354: A2G A3G</li> <li>• MT 7357: A4G A5G A2G A3G</li> <li>• MT 7360:</li> <li>• MT 7483:</li> <li>• MT 8910:</li> <li>• MT 9964: A6G AAG</li> <li>• MT 3379, 4083, 5897, 6137, 6234, 6303, 7174, 7346, 7582, 7627, 7630, and 7638_SB</li> </ul>	41A5304	1
Greek/US <ul style="list-style-type: none"> <li>• MT 4088: A1G</li> <li>• MT 4099: A1G A2G A3G</li> <li>• MT 4138: A1G A2G</li> <li>• MT 6258: D2G D3G D6G DDG</li> <li>• MT 7220: AVG AWG B1G ASG AUG</li> <li>• MT 7354: A2G A3G</li> <li>• MT 7357: A4G A5G A2G A3G</li> <li>• MT 7360:</li> <li>• MT 7483:</li> <li>• MT 8910:</li> <li>• MT 9964: A6G AAG</li> <li>• MT 3379, 4083, 5897, 6137, 6234, 6303, 7174, 7346, 7582, 7627, 7630, and 7638_SB</li> </ul>	41A5305	1

Keyboard (Lenovo Preferred Pro USB -- without hub)	FRU #	CRU
Hebrew <ul style="list-style-type: none"> <li>• MT 4088: A1G</li> <li>• MT 4099: A1G A2G A3G</li> <li>• MT 4138: A1G A2G</li> <li>• MT 6258: D2G D3G D6G DDG</li> <li>• MT 7220: AVG AWG B1G ASG AUG</li> <li>• MT 7354: A2G A3G</li> <li>• MT 7357: A4G A5G A2G A3G</li> <li>• MT 7360:</li> <li>• MT 7483:</li> <li>• MT 8910:</li> <li>• MT 9964: A6G AAG</li> <li>• MT 3379, 4083, 5897, 6137, 6234, 6303, 7174, 7346, 7582, 7627, 7630, and 7638_SB</li> </ul>	41A5306	1
Hungarian <ul style="list-style-type: none"> <li>• MT 4088: A1G</li> <li>• MT 4099: A1G A2G A3G</li> <li>• MT 4138: A1G A2G</li> <li>• MT 6258: D2G D3G D6G DDG</li> <li>• MT 7220: AVG AWG B1G ASG AUG</li> <li>• MT 7354: A2G A3G</li> <li>• MT 7357: A4G A5G A2G A3G</li> <li>• MT 7360:</li> <li>• MT 7483:</li> <li>• MT 8910:</li> <li>• MT 9964: A6G AAG</li> <li>• MT 3379, 4083, 5897, 6137, 6234, 6303, 7174, 7346, 7582, 7627, 7630, and 7638_SB</li> </ul>	41A5307	1
Iceland <ul style="list-style-type: none"> <li>• MT 4088: A1G</li> <li>• MT 4099: A1G A2G A3G</li> <li>• MT 4138: A1G A2G</li> <li>• MT 6258: D2G D3G D6G DDG</li> <li>• MT 7220: AVG AWG B1G ASG AUG</li> <li>• MT 7354: A2G A3G</li> <li>• MT 7357: A4G A5G A2G A3G</li> <li>• MT 7360:</li> <li>• MT 7483:</li> <li>• MT 8910:</li> <li>• MT 9964: A6G AAG</li> <li>• MT 3379, 4083, 5897, 6137, 6234, 6303, 7174, 7346, 7582, 7627, 7630, and 7638_SB</li> </ul>	41A5308	1

Keyboard (Lenovo Preferred Pro USB -- without hub)	FRU #	CRU
Italy <ul style="list-style-type: none"> <li>• MT 4088: A1G</li> <li>• MT 4099: A1G A2G A3G</li> <li>• MT 4138: A1G A2G</li> <li>• MT 6258: D2G D3G D6G DDG</li> <li>• MT 7220: AVG AWG B1G ASG AUG</li> <li>• MT 7354: A2G A3G</li> <li>• MT 7357: A4G A5G A2G A3G</li> <li>• MT 7360:</li> <li>• MT 7483:</li> <li>• MT 8910:</li> <li>• MT 9964: A6G AAG</li> <li>• MT 3379, 4083, 5897, 6137, 6234, 6303, 7174, 7346, 7582, 7627, 7630, and 7638_SB</li> </ul>	41A5309	1
Japanese <ul style="list-style-type: none"> <li>• MT 4088:</li> <li>• MT 4099:</li> <li>• MT 4138:</li> <li>• MT 6258: B2J B3J B4J B5J B6J B7J B8J D8J E1J E2J</li> <li>• MT 7220: AHJ AJJ AKJ B2J AVJ C1J C2J</li> <li>• MT 7354:</li> <li>• MT 7357:</li> <li>• MT 7360:</li> <li>• MT 7483: BSJ BTJ</li> <li>• MT 8910:</li> <li>• MT 9964:</li> <li>• MT 3379, 4083, 5897, 6137, 6234, 6303, 7174, 7346, 7582, 7627, 7630, and 7638_SB</li> </ul>	41A5310	1
Korean <ul style="list-style-type: none"> <li>• MT 4088:</li> <li>• MT 4099:</li> <li>• MT 4138:</li> <li>• MT 6258:</li> <li>• MT 7220: AVK</li> <li>• MT 7354:</li> <li>• MT 7357:</li> <li>• MT 7360:</li> <li>• MT 7483:</li> <li>• MT 8910:</li> <li>• MT 9964:</li> <li>• MT 3379, 4083, 5897, 6137, 6234, 6303, 7174, 7346, 7582, 7627, 7630, and 7638_SB</li> </ul>	41A5311	1

Keyboard (Lenovo Preferred Pro USB -- without hub)	FRU #	CRU
LA Spanish <ul style="list-style-type: none"> <li>• MT 4088:</li> <li>• MT 4099:</li> <li>• MT 4138:</li> <li>• MT 6258:</li> <li>• MT 7220: AVS AVD AVY</li> <li>• MT 7354:</li> <li>• MT 7357:</li> <li>• MT 7360: EJS EJD EJY</li> <li>• MT 7483:</li> <li>• MT 8910: ALS ALD ALY AMS AMD AMY ANS ANY AQS ARS ASS ATS AUS B1S B1D B1Y B2S B2D B2Y B3S B3D B3Y B4S B5S B5D B5Y B6S B6D B6Y</li> <li>• MT 9964: A7S A7D A7Y A8S A8D A8Y A9S A9Y ABS ACS ADS AES AED AEY</li> <li>• MT 3379, 4083, 5897, 6137, 6234, 6303, 7174, 7346, 7582, 7627, 7630, and 7638_SB</li> </ul>	41A5312	1
Norwegian <ul style="list-style-type: none"> <li>• MT 4088: A1G</li> <li>• MT 4099: A1G A2G A3G</li> <li>• MT 4138: A1G A2G</li> <li>• MT 6258: D2G D3G D6G DDG</li> <li>• MT 7220: AVG AWG B1G ASG AUG</li> <li>• MT 7354: A2G A3G</li> <li>• MT 7357: A4G A5G A2G A3G</li> <li>• MT 7360:</li> <li>• MT 7483:</li> <li>• MT 8910:</li> <li>• MT 9964: A6G AAG</li> <li>• MT 3379, 4083, 5897, 6137, 6234, 6303, 7174, 7346, 7582, 7627, 7630, and 7638_SB</li> </ul>	41A5313	1
Polish <ul style="list-style-type: none"> <li>• MT 4088: A1G</li> <li>• MT 4099: A1G A2G A3G</li> <li>• MT 4138: A1G A2G</li> <li>• MT 6258: D2G D3G D6G DDG</li> <li>• MT 7220: AVG AWG B1G ASG AUG</li> <li>• MT 7354: A2G A3G</li> <li>• MT 7357: A4G A5G A2G A3G</li> <li>• MT 7360:</li> <li>• MT 7483:</li> <li>• MT 8910:</li> <li>• MT 9964: A6G AAG</li> <li>• MT 3379, 4083, 5897, 6137, 6234, 6303, 7174, 7346, 7582, 7627, 7630, and 7638_SB</li> </ul>	41A5314	1

Keyboard (Lenovo Preferred Pro USB -- without hub)	FRU #	CRU
Portuguese <ul style="list-style-type: none"> <li>• MT 4088: A1G</li> <li>• MT 4099: A1G A2G A3G</li> <li>• MT 4138: A1G A2G</li> <li>• MT 6258: D2G D3G D6G DDG</li> <li>• MT 7220: AVG AWG B1G ASG AUG</li> <li>• MT 7354: A2G A3G</li> <li>• MT 7357: A4G A5G A2G A3G</li> <li>• MT 7360:</li> <li>• MT 7483:</li> <li>• MT 8910:</li> <li>• MT 9964: A6G AAG</li> <li>• MT 3379, 4083, 5897, 6137, 6234, 6303, 7174, 7346, 7582, 7627, 7630, and 7638_SB</li> </ul>	41A5315	1
Romanian <ul style="list-style-type: none"> <li>• MT 4088: A1G</li> <li>• MT 4099: A1G A2G A3G</li> <li>• MT 4138: A1G A2G</li> <li>• MT 6258: D2G D3G D6G DDG</li> <li>• MT 7220: AVG AWG B1G ASG AUG</li> <li>• MT 7354: A2G A3G</li> <li>• MT 7357: A4G A5G A2G A3G</li> <li>• MT 7360:</li> <li>• MT 7483:</li> <li>• MT 8910:</li> <li>• MT 9964: A6G AAG</li> <li>• MT 3379, 4083, 5897, 6137, 6234, 6303, 7174, 7346, 7582, 7627, 7630, and 7638_SB</li> </ul>	41A5317	1
Romanian <ul style="list-style-type: none"> <li>• MT 4088: A1G</li> <li>• MT 4099: A1G A2G A3G</li> <li>• MT 4138: A1G A2G</li> <li>• MT 6258: D2G D3G D6G DDG</li> <li>• MT 7220: AVG AWG B1G ASG AUG</li> <li>• MT 7354: A2G A3G</li> <li>• MT 7357: A4G A5G A2G A3G</li> <li>• MT 7360:</li> <li>• MT 7483:</li> <li>• MT 8910:</li> <li>• MT 9964: A6G AAG</li> <li>• MT 3379, 4083, 5897, 6137, 6234, 6303, 7174, 7346, 7582, 7627, 7630, and 7638_SB</li> </ul>	41A5316	1

Keyboard (Lenovo Preferred Pro USB -- without hub)	FRU #	CRU
Russian/Cyrillic <ul style="list-style-type: none"> <li>• MT 4088: A1G</li> <li>• MT 4099: A1G A2G A3G</li> <li>• MT 4138: A1G A2G</li> <li>• MT 6258: D2G D3G D6G DDG</li> <li>• MT 7220: AVG AWG B1G ASG AUG</li> <li>• MT 7354: A2G A3G</li> <li>• MT 7357: A4G A5G A2G A3G</li> <li>• MT 7360:</li> <li>• MT 7483:</li> <li>• MT 8910:</li> <li>• MT 9964: A6G AAG</li> <li>• MT 3379, 4083, 5897, 6137, 6234, 6303, 7174, 7346, 7582, 7627, 7630, and 7638_SB</li> </ul>	41A5318	1
Serbian/Cyrillic <ul style="list-style-type: none"> <li>• MT 4088: A1G</li> <li>• MT 4099: A1G A2G A3G</li> <li>• MT 4138: A1G A2G</li> <li>• MT 6258: D2G D3G D6G DDG</li> <li>• MT 7220: AVG AWG B1G ASG AUG</li> <li>• MT 7354: A2G A3G</li> <li>• MT 7357: A4G A5G A2G A3G</li> <li>• MT 7360:</li> <li>• MT 7483:</li> <li>• MT 8910:</li> <li>• MT 9964: A6G AAG</li> <li>• MT 3379, 4083, 5897, 6137, 6234, 6303, 7174, 7346, 7582, 7627, 7630, and 7638_SB</li> </ul>	41A5319	1
Slovak <ul style="list-style-type: none"> <li>• MT 4088: A1G</li> <li>• MT 4099: A1G A2G A3G</li> <li>• MT 4138: A1G A2G</li> <li>• MT 6258: D2G D3G D6G DDG</li> <li>• MT 7220: AVG AWG B1G ASG AUG</li> <li>• MT 7354: A2G A3G</li> <li>• MT 7357: A4G A5G A2G A3G</li> <li>• MT 7360:</li> <li>• MT 7483:</li> <li>• MT 8910:</li> <li>• MT 9964: A6G AAG</li> <li>• MT 3379, 4083, 5897, 6137, 6234, 6303, 7174, 7346, 7582, 7627, 7630, and 7638_SB</li> </ul>	41A5320	1



Keyboard (Lenovo Preferred Pro USB -- without hub)	FRU #	CRU
Spanish <ul style="list-style-type: none"> <li>• MT 4088: A1G</li> <li>• MT 4099: A1G A2G A3G</li> <li>• MT 4138: A1G A2G</li> <li>• MT 6258: D2G D3G D6G DDG</li> <li>• MT 7220: AVG AWG B1G ASG AUG</li> <li>• MT 7354: A2G A3G</li> <li>• MT 7357: A4G A5G A2G A3G</li> <li>• MT 7360:</li> <li>• MT 7483:</li> <li>• MT 8910:</li> <li>• MT 9964: A6G AAG</li> <li>• MT 3379, 4083, 5897, 6137, 6234, 6303, 7174, 7346, 7582, 7627, 7630, and 7638_SB</li> </ul>	41A5321	1
Swedish/Finnish <ul style="list-style-type: none"> <li>• MT 4088: A1G</li> <li>• MT 4099: A1G A2G A3G</li> <li>• MT 4138: A1G A2G</li> <li>• MT 6258: D2G D3G D6G DDG</li> <li>• MT 7220: AVG AWG B1G ASG AUG</li> <li>• MT 7354: A2G A3G</li> <li>• MT 7357: A4G A5G A2G A3G</li> <li>• MT 7360:</li> <li>• MT 7483:</li> <li>• MT 8910:</li> <li>• MT 9964: A6G AAG</li> <li>• MT 3379, 4083, 5897, 6137, 6234, 6303, 7174, 7346, 7582, 7627, 7630, and 7638_SB</li> </ul>	41A5322	1
SF/G <ul style="list-style-type: none"> <li>• MT 4088: A1G</li> <li>• MT 4099: A1G A2G A3G</li> <li>• MT 4138: A1G A2G</li> <li>• MT 6258: D2G D3G D6G DDG</li> <li>• MT 7220: AVG AWG B1G ASG AUG</li> <li>• MT 7354: A2G A3G</li> <li>• MT 7357: A4G A5G A2G A3G</li> <li>• MT 7360:</li> <li>• MT 7483:</li> <li>• MT 8910:</li> <li>• MT 9964: A6G AAG</li> <li>• MT 3379, 4083, 5897, 6137, 6234, 6303, 7174, 7346, 7582, 7627, 7630, and 7638_SB</li> </ul>	41A5323	1

Keyboard (Lenovo Preferred Pro USB -- without hub)	FRU #	CRU
Thailand <ul style="list-style-type: none"> <li>• MT 4088:</li> <li>• MT 4099:</li> <li>• MT 4138:</li> <li>• MT 6258: BGT</li> <li>• MT 7220: AVT</li> <li>• MT 7354:</li> <li>• MT 7357:</li> <li>• MT 7360: E6T E7T E8T E9T EBT DPT ENT</li> <li>• MT 7483: BKT</li> <li>• MT 8910:</li> <li>• MT 9964:</li> <li>• MT 3379, 4083, 5897, 6137, 6234, 6303, 7174, 7346, 7582, 7627, 7630, and 7638_SB</li> </ul>	41A5324	1
Turkish <ul style="list-style-type: none"> <li>• MT 4088: A1G</li> <li>• MT 4099: A1G A2G A3G</li> <li>• MT 4138: A1G A2G</li> <li>• MT 6258: D2G D3G D6G DDG</li> <li>• MT 7220: AVG AWG B1G ASG AUG</li> <li>• MT 7354: A2G A3G</li> <li>• MT 7357: A4G A5G A2G A3G</li> <li>• MT 7360:</li> <li>• MT 7483:</li> <li>• MT 8910:</li> <li>• MT 9964: A6G AAG</li> <li>• MT 3379, 4083, 5897, 6137, 6234, 6303, 7174, 7346, 7582, 7627, 7630, and 7638_SB</li> </ul>	41A5325	1
Turkish <ul style="list-style-type: none"> <li>• MT 4088: A1G</li> <li>• MT 4099: A1G A2G A3G</li> <li>• MT 4138: A1G A2G</li> <li>• MT 6258: D2G D3G D6G DDG</li> <li>• MT 7220: AVG AWG B1G ASG AUG</li> <li>• MT 7354: A2G A3G</li> <li>• MT 7357: A4G A5G A2G A3G</li> <li>• MT 7360:</li> <li>• MT 7483:</li> <li>• MT 8910:</li> <li>• MT 9964: A6G AAG</li> <li>• MT 3379, 4083, 5897, 6137, 6234, 6303, 7174, 7346, 7582, 7627, 7630, and 7638_SB</li> </ul>	41A5326	1

Keyboard (Lenovo Preferred Pro USB -- without hub)	FRU #	CRU
UK English <ul style="list-style-type: none"> <li>• MT 4088: A1G</li> <li>• MT 4099: A1G A2G A3G</li> <li>• MT 4138: A1G A2G</li> <li>• MT 6258: D2G D3G D6G DDG</li> <li>• MT 7220: AVG AWG B1G ASG AUG</li> <li>• MT 7354: A2G A3G</li> <li>• MT 7357: A4G A5G A2G A3G</li> <li>• MT 7360:</li> <li>• MT 7483:</li> <li>• MT 8910:</li> <li>• MT 9964: A6G AAG</li> <li>• MT 3379, 4083, 5897, 6137, 6234, 6303, 7174, 7346, 7582, 7627, 7630, and 7638_SB</li> </ul>	41A5327	1
US European <ul style="list-style-type: none"> <li>• MT 4088: A1G</li> <li>• MT 4099: A1G A2G A3G</li> <li>• MT 4138: A1G A2G</li> <li>• MT 6258: D2G D3G D6G DDG</li> <li>• MT 7220: AVG AWG B1G ASG AUG</li> <li>• MT 7354: A2G A3G</li> <li>• MT 7357: A4G A5G A2G A3G</li> <li>• MT 7360:</li> <li>• MT 7483:</li> <li>• MT 8910:</li> <li>• MT 9964: A6G AAG</li> <li>• MT 3379, 4083, 5897, 6137, 6234, 6303, 7174, 7346, 7582, 7627, 7630, and 7638_SB</li> </ul>	41A5328	1
Slovenian <ul style="list-style-type: none"> <li>• MT 4088: A1G</li> <li>• MT 4099: A1G A2G A3G</li> <li>• MT 4138: A1G A2G</li> <li>• MT 6258: D2G D3G D6G DDG</li> <li>• MT 7220: AVG AWG B1G ASG AUG</li> <li>• MT 7354: A2G A3G</li> <li>• MT 7357: A4G A5G A2G A3G</li> <li>• MT 7360:</li> <li>• MT 7483:</li> <li>• MT 8910:</li> <li>• MT 9964:</li> <li>• MT 3379, 4083, 5897, 6137, 6234, 6303, 7174, 7346, 7582, 7627, 7630, and 7638_SB</li> </ul>	41A5329	1

Keyboard (Lenovo Preferred Pro USB -- without hub)	FRU #	CRU
Arabic (New) <ul style="list-style-type: none"> <li>• MT 4088: A1G</li> <li>• MT 4099: A1G A2G A3G</li> <li>• MT 4138: A1G A2G</li> <li>• MT 6258: D2G D3G D6G DDG</li> <li>• MT 7220: AVG AWG B1G ASG AUG</li> <li>• MT 7354: A2G A3G</li> <li>• MT 7357: A4G A5G A2G A3G</li> <li>• MT 7360:</li> <li>• MT 7483:</li> <li>• MT 8910:</li> <li>• MT 9964: A6G AAG</li> <li>• MT 3379, 4083, 5897, 6137, 6234, 6303, 7174, 7346, 7582, 7627, 7630, and 7638_SB</li> </ul>	45J4880	1
Lithuanian <ul style="list-style-type: none"> <li>• MT 4088: A1G</li> <li>• MT 4099: A1G A2G A3G</li> <li>• MT 4138: A1G A2G</li> <li>• MT 6258: D2G D3G D6G DDG</li> <li>• MT 7220: AVG AWG B1G ASG AUG</li> <li>• MT 7354: A2G A3G</li> <li>• MT 7357: A4G A5G A2G A3G</li> <li>• MT 7360:</li> <li>• MT 7483:</li> <li>• MT 8910:</li> <li>• MT 9964:</li> <li>• MT 3379, 4083, 5897, 6137, 6234, 6303, 7174, 7346, 7582, 7627, 7630, and 7638_SB</li> </ul>	45J4896	1

Keyboard (Lenovo Fingerprint Reader USB)	FRU #	CRU
US English <ul style="list-style-type: none"> <li>• MT 4088:</li> <li>• MT 4099:</li> <li>• MT 4138:</li> <li>• MT 6258:</li> <li>• MT 7220:</li> <li>• MT 7354:</li> <li>• MT 7357:</li> <li>• MT 7360:</li> <li>• MT 7483:</li> <li>• MT 8910:</li> <li>• MT 9964:</li> </ul>	57Y4780	1

Keyboard (Lenovo Fingerprint Reader USB)	FRU #	CRU
<ul style="list-style-type: none"> <li>• MT 3379, 4083, 5897, 6137, 6234, 6303, 7174, 7346, 7582, 7627, 7630, and 7638_SB</li> </ul>		
Arabic <ul style="list-style-type: none"> <li>• MT 4088:</li> <li>• MT 4099:</li> <li>• MT 4138:</li> <li>• MT 6258:</li> <li>• MT 7220:</li> <li>• MT 7354:</li> <li>• MT 7357:</li> <li>• MT 7360:</li> <li>• MT 7483:</li> <li>• MT 8910:</li> <li>• MT 9964:</li> <li>• MT 3379, 4083, 5897, 6137, 6234, 6303, 7174, 7346, 7582, 7627, 7630, and 7638_SB</li> </ul>	57Y4781	1
A/F <ul style="list-style-type: none"> <li>• MT 4088:</li> <li>• MT 4099:</li> <li>• MT 4138:</li> <li>• MT 6258:</li> <li>• MT 7220:</li> <li>• MT 7354:</li> <li>• MT 7357:</li> <li>• MT 7360:</li> <li>• MT 7483:</li> <li>• MT 8910:</li> <li>• MT 9964:</li> <li>• MT 3379, 4083, 5897, 6137, 6234, 6303, 7174, 7346, 7582, 7627, 7630, and 7638_SB</li> </ul>	57Y4782	1
Belgium French <ul style="list-style-type: none"> <li>• MT 4088:</li> <li>• MT 4099:</li> <li>• MT 4138:</li> <li>• MT 6258:</li> <li>• MT 7220:</li> <li>• MT 7354:</li> <li>• MT 7357:</li> <li>• MT 7360:</li> <li>• MT 7483:</li> <li>• MT 8910:</li> <li>• MT 9964:</li> <li>• MT 3379, 4083, 5897, 6137, 6234, 6303, 7174, 7346, 7582, 7627, 7630, and 7638_SB</li> </ul>	57Y4783	1

Keyboard (Lenovo Fingerprint Reader USB)	FRU #	CRU
Belgium English <ul style="list-style-type: none"> <li>• MT 4088:</li> <li>• MT 4099:</li> <li>• MT 4138:</li> <li>• MT 6258:</li> <li>• MT 7220:</li> <li>• MT 7354:</li> <li>• MT 7357:</li> <li>• MT 7360:</li> <li>• MT 7483:</li> <li>• MT 8910:</li> <li>• MT 9964:</li> <li>• MT 3379, 4083, 5897, 6137, 6234, 6303, 7174, 7346, 7582, 7627, 7630, and 7638_SB</li> </ul>	57Y4784	1
Brazilian Portuguese <ul style="list-style-type: none"> <li>• MT 4088:</li> <li>• MT 4099:</li> <li>• MT 4138:</li> <li>• MT 6258:</li> <li>• MT 7220:</li> <li>• MT 7354:</li> <li>• MT 7357:</li> <li>• MT 7360:</li> <li>• MT 7483:</li> <li>• MT 8910:</li> <li>• MT 9964:</li> <li>• MT 3379, 4083, 5897, 6137, 6234, 6303, 7174, 7346, 7582, 7627, 7630, and 7638_SB</li> </ul>	57Y4785	1
Bulgarian <ul style="list-style-type: none"> <li>• MT 4088:</li> <li>• MT 4099:</li> <li>• MT 4138:</li> <li>• MT 6258:</li> <li>• MT 7220:</li> <li>• MT 7354:</li> <li>• MT 7357:</li> <li>• MT 7360:</li> <li>• MT 7483:</li> <li>• MT 8910:</li> <li>• MT 9964:</li> <li>• MT 3379, 4083, 5897, 6137, 6234, 6303, 7174, 7346, 7582, 7627, 7630, and 7638_SB</li> </ul>	57Y4786	1

Keyboard (Lenovo Fingerprint Reader USB)	FRU #	CRU
Chinese/US <ul style="list-style-type: none"> <li>• MT 4088:</li> <li>• MT 4099:</li> <li>• MT 4138:</li> <li>• MT 6258:</li> <li>• MT 7220:</li> <li>• MT 7354:</li> <li>• MT 7357:</li> <li>• MT 7360:</li> <li>• MT 7483:</li> <li>• MT 8910:</li> <li>• MT 9964:</li> <li>• MT 3379, 4083, 5897, 6137, 6234, 6303, 7174, 7346, 7582, 7627, 7630, and 7638_SB</li> </ul>	57Y4787	1
Czech (ABB) <ul style="list-style-type: none"> <li>• MT 4088:</li> <li>• MT 4099:</li> <li>• MT 4138:</li> <li>• MT 6258:</li> <li>• MT 7220:</li> <li>• MT 7354:</li> <li>• MT 7357:</li> <li>• MT 7360:</li> <li>• MT 7483:</li> <li>• MT 8910:</li> <li>• MT 9964:</li> <li>• MT 3379, 4083, 5897, 6137, 6234, 6303, 7174, 7346, 7582, 7627, 7630, and 7638_SB</li> </ul>	57Y4788	1
Danish <ul style="list-style-type: none"> <li>• MT 4088:</li> <li>• MT 4099:</li> <li>• MT 4138:</li> <li>• MT 6258:</li> <li>• MT 7220:</li> <li>• MT 7354:</li> <li>• MT 7357:</li> <li>• MT 7360:</li> <li>• MT 7483:</li> <li>• MT 8910:</li> <li>• MT 9964:</li> <li>• MT 3379, 4083, 5897, 6137, 6234, 6303, 7174, 7346, 7582, 7627, 7630, and 7638_SB</li> </ul>	57Y4789	1

Keyboard (Lenovo Fingerprint Reader USB)	FRU #	CRU
Dutch <ul style="list-style-type: none"> <li>• MT 4088:</li> <li>• MT 4099:</li> <li>• MT 4138:</li> <li>• MT 6258:</li> <li>• MT 7220:</li> <li>• MT 7354:</li> <li>• MT 7357:</li> <li>• MT 7360:</li> <li>• MT 7483:</li> <li>• MT 8910:</li> <li>• MT 9964:</li> <li>• MT 3379, 4083, 5897, 6137, 6234, 6303, 7174, 7346, 7582, 7627, 7630, and 7638_SB</li> </ul>	57Y4790	1
French <ul style="list-style-type: none"> <li>• MT 4088:</li> <li>• MT 4099:</li> <li>• MT 4138:</li> <li>• MT 6258:</li> <li>• MT 7220:</li> <li>• MT 7354:</li> <li>• MT 7357:</li> <li>• MT 7360:</li> <li>• MT 7483:</li> <li>• MT 8910:</li> <li>• MT 9964:</li> <li>• MT 3379, 4083, 5897, 6137, 6234, 6303, 7174, 7346, 7582, 7627, 7630, and 7638_SB</li> </ul>	57Y4791	1
French Canadian <ul style="list-style-type: none"> <li>• MT 4088:</li> <li>• MT 4099:</li> <li>• MT 4138:</li> <li>• MT 6258:</li> <li>• MT 7220:</li> <li>• MT 7354:</li> <li>• MT 7357:</li> <li>• MT 7360:</li> <li>• MT 7483:</li> <li>• MT 8910:</li> <li>• MT 9964:</li> <li>• MT 3379, 4083, 5897, 6137, 6234, 6303, 7174, 7346, 7582, 7627, 7630, and 7638_SB</li> </ul>	57Y4792	1



Keyboard (Lenovo Fingerprint Reader USB)	FRU #	CRU
French Canadian <ul style="list-style-type: none"> <li>• MT 4088:</li> <li>• MT 4099:</li> <li>• MT 4138:</li> <li>• MT 6258:</li> <li>• MT 7220:</li> <li>• MT 7354:</li> <li>• MT 7357:</li> <li>• MT 7360:</li> <li>• MT 7483:</li> <li>• MT 8910:</li> <li>• MT 9964:</li> <li>• MT 3379, 4083, 5897, 6137, 6234, 6303, 7174, 7346, 7582, 7627, 7630, and 7638_SB</li> </ul>	57Y4793	1
German <ul style="list-style-type: none"> <li>• MT 4088:</li> <li>• MT 4099:</li> <li>• MT 4138:</li> <li>• MT 6258:</li> <li>• MT 7220:</li> <li>• MT 7354:</li> <li>• MT 7357:</li> <li>• MT 7360:</li> <li>• MT 7483:</li> <li>• MT 8910:</li> <li>• MT 9964:</li> <li>• MT 3379, 4083, 5897, 6137, 6234, 6303, 7174, 7346, 7582, 7627, 7630, and 7638_SB</li> </ul>	57Y4794	1
Greek <ul style="list-style-type: none"> <li>• MT 4088:</li> <li>• MT 4099:</li> <li>• MT 4138:</li> <li>• MT 6258:</li> <li>• MT 7220:</li> <li>• MT 7354:</li> <li>• MT 7357:</li> <li>• MT 7360:</li> <li>• MT 7483:</li> <li>• MT 8910:</li> <li>• MT 9964:</li> <li>• MT 3379, 4083, 5897, 6137, 6234, 6303, 7174, 7346, 7582, 7627, 7630, and 7638_SB</li> </ul>	57Y4795	1

Keyboard (Lenovo Fingerprint Reader USB)	FRU #	CRU
Greek/US <ul style="list-style-type: none"> <li>• MT 4088:</li> <li>• MT 4099:</li> <li>• MT 4138:</li> <li>• MT 6258:</li> <li>• MT 7220:</li> <li>• MT 7354:</li> <li>• MT 7357:</li> <li>• MT 7360:</li> <li>• MT 7483:</li> <li>• MT 8910:</li> <li>• MT 9964:</li> <li>• MT 3379, 4083, 5897, 6137, 6234, 6303, 7174, 7346, 7582, 7627, 7630, and 7638_SB</li> </ul>	57Y4796	1
Hebrew <ul style="list-style-type: none"> <li>• MT 4088:</li> <li>• MT 4099:</li> <li>• MT 4138:</li> <li>• MT 6258:</li> <li>• MT 7220:</li> <li>• MT 7354:</li> <li>• MT 7357:</li> <li>• MT 7360:</li> <li>• MT 7483:</li> <li>• MT 8910:</li> <li>• MT 9964:</li> <li>• MT 3379, 4083, 5897, 6137, 6234, 6303, 7174, 7346, 7582, 7627, 7630, and 7638_SB</li> </ul>	57Y4797	1
Hungarian <ul style="list-style-type: none"> <li>• MT 4088:</li> <li>• MT 4099:</li> <li>• MT 4138:</li> <li>• MT 6258:</li> <li>• MT 7220:</li> <li>• MT 7354:</li> <li>• MT 7357:</li> <li>• MT 7360:</li> <li>• MT 7483:</li> <li>• MT 8910:</li> <li>• MT 9964:</li> <li>• MT 3379, 4083, 5897, 6137, 6234, 6303, 7174, 7346, 7582, 7627, 7630, and 7638_SB</li> </ul>	57Y4798	1

Keyboard (Lenovo Fingerprint Reader USB)	FRU #	CRU
Iceland <ul style="list-style-type: none"> <li>• MT 4088:</li> <li>• MT 4099:</li> <li>• MT 4138:</li> <li>• MT 6258:</li> <li>• MT 7220:</li> <li>• MT 7354:</li> <li>• MT 7357:</li> <li>• MT 7360:</li> <li>• MT 7483:</li> <li>• MT 8910:</li> <li>• MT 9964:</li> <li>• MT 3379, 4083, 5897, 6137, 6234, 6303, 7174, 7346, 7582, 7627, 7630, and 7638_SB</li> </ul>	57Y4799	1
Italy <ul style="list-style-type: none"> <li>• MT 4088:</li> <li>• MT 4099:</li> <li>• MT 4138:</li> <li>• MT 6258:</li> <li>• MT 7220:</li> <li>• MT 7354:</li> <li>• MT 7357:</li> <li>• MT 7360:</li> <li>• MT 7483:</li> <li>• MT 8910:</li> <li>• MT 9964:</li> <li>• MT 3379, 4083, 5897, 6137, 6234, 6303, 7174, 7346, 7582, 7627, 7630, and 7638_SB</li> </ul>	57Y4800	1
Japanese <ul style="list-style-type: none"> <li>• MT 4088:</li> <li>• MT 4099:</li> <li>• MT 4138:</li> <li>• MT 6258:</li> <li>• MT 7220:</li> <li>• MT 7354:</li> <li>• MT 7357:</li> <li>• MT 7360:</li> <li>• MT 7483:</li> <li>• MT 8910:</li> <li>• MT 9964:</li> <li>• MT 3379, 4083, 5897, 6137, 6234, 6303, 7174, 7346, 7582, 7627, 7630, and 7638_SB</li> </ul>	57Y4801	1

Keyboard (Lenovo Fingerprint Reader USB)	FRU #	CRU
Korean <ul style="list-style-type: none"> <li>• MT 4088:</li> <li>• MT 4099:</li> <li>• MT 4138:</li> <li>• MT 6258:</li> <li>• MT 7220:</li> <li>• MT 7354:</li> <li>• MT 7357:</li> <li>• MT 7360:</li> <li>• MT 7483:</li> <li>• MT 8910:</li> <li>• MT 9964:</li> <li>• MT 3379, 4083, 5897, 6137, 6234, 6303, 7174, 7346, 7582, 7627, 7630, and 7638_SB</li> </ul>	57Y4802	1
LA Spanish <ul style="list-style-type: none"> <li>• MT 4088:</li> <li>• MT 4099:</li> <li>• MT 4138:</li> <li>• MT 6258:</li> <li>• MT 7220:</li> <li>• MT 7354:</li> <li>• MT 7357:</li> <li>• MT 7360:</li> <li>• MT 7483:</li> <li>• MT 8910:</li> <li>• MT 9964:</li> <li>• MT 3379, 4083, 5897, 6137, 6234, 6303, 7174, 7346, 7582, 7627, 7630, and 7638_SB</li> </ul>	57Y4803	1
Norwegian <ul style="list-style-type: none"> <li>• MT 4088:</li> <li>• MT 4099:</li> <li>• MT 4138:</li> <li>• MT 6258:</li> <li>• MT 7220:</li> <li>• MT 7354:</li> <li>• MT 7357:</li> <li>• MT 7360:</li> <li>• MT 7483:</li> <li>• MT 8910:</li> <li>• MT 9964:</li> <li>• MT 3379, 4083, 5897, 6137, 6234, 6303, 7174, 7346, 7582, 7627, 7630, and 7638_SB</li> </ul>	57Y4804	1

Keyboard (Lenovo Fingerprint Reader USB)	FRU #	CRU
Polish <ul style="list-style-type: none"> <li>• MT 4088:</li> <li>• MT 4099:</li> <li>• MT 4138:</li> <li>• MT 6258:</li> <li>• MT 7220:</li> <li>• MT 7354:</li> <li>• MT 7357:</li> <li>• MT 7360:</li> <li>• MT 7483:</li> <li>• MT 8910:</li> <li>• MT 9964:</li> <li>• MT 3379, 4083, 5897, 6137, 6234, 6303, 7174, 7346, 7582, 7627, 7630, and 7638_SB</li> </ul>	57Y4805	1
Portuguese <ul style="list-style-type: none"> <li>• MT 4088:</li> <li>• MT 4099:</li> <li>• MT 4138:</li> <li>• MT 6258:</li> <li>• MT 7220:</li> <li>• MT 7354:</li> <li>• MT 7357:</li> <li>• MT 7360:</li> <li>• MT 7483:</li> <li>• MT 8910:</li> <li>• MT 9964:</li> <li>• MT 3379, 4083, 5897, 6137, 6234, 6303, 7174, 7346, 7582, 7627, 7630, and 7638_SB</li> </ul>	57Y4806	1
Romanian <ul style="list-style-type: none"> <li>• MT 4088:</li> <li>• MT 4099:</li> <li>• MT 4138:</li> <li>• MT 6258:</li> <li>• MT 7220:</li> <li>• MT 7354:</li> <li>• MT 7357:</li> <li>• MT 7360:</li> <li>• MT 7483:</li> <li>• MT 8910:</li> <li>• MT 9964:</li> <li>• MT 3379, 4083, 5897, 6137, 6234, 6303, 7174, 7346, 7582, 7627, 7630, and 7638_SB</li> </ul>	57Y4808	1

Keyboard (Lenovo Fingerprint Reader USB)	FRU #	CRU
Romanian <ul style="list-style-type: none"> <li>• MT 4088:</li> <li>• MT 4099:</li> <li>• MT 4138:</li> <li>• MT 6258:</li> <li>• MT 7220:</li> <li>• MT 7354:</li> <li>• MT 7357:</li> <li>• MT 7360:</li> <li>• MT 7483:</li> <li>• MT 8910:</li> <li>• MT 9964:</li> <li>• MT 3379, 4083, 5897, 6137, 6234, 6303, 7174, 7346, 7582, 7627, 7630, and 7638_SB</li> </ul>	57Y4806	1
Russian/Cyrillic <ul style="list-style-type: none"> <li>• MT 4088:</li> <li>• MT 4099:</li> <li>• MT 4138:</li> <li>• MT 6258:</li> <li>• MT 7220:</li> <li>• MT 7354:</li> <li>• MT 7357:</li> <li>• MT 7360:</li> <li>• MT 7483:</li> <li>• MT 8910:</li> <li>• MT 9964:</li> <li>• MT 3379, 4083, 5897, 6137, 6234, 6303, 7174, 7346, 7582, 7627, 7630, and 7638_SB</li> </ul>	57Y4809	1
Serbian/Cyrillic <ul style="list-style-type: none"> <li>• MT 4088:</li> <li>• MT 4099:</li> <li>• MT 4138:</li> <li>• MT 6258:</li> <li>• MT 7220:</li> <li>• MT 7354:</li> <li>• MT 7357:</li> <li>• MT 7360:</li> <li>• MT 7483:</li> <li>• MT 8910:</li> <li>• MT 9964:</li> <li>• MT 3379, 4083, 5897, 6137, 6234, 6303, 7174, 7346, 7582, 7627, 7630, and 7638_SB</li> </ul>	57Y4810	1

Keyboard (Lenovo Fingerprint Reader USB)	FRU #	CRU
Slovak <ul style="list-style-type: none"> <li>• MT 4088:</li> <li>• MT 4099:</li> <li>• MT 4138:</li> <li>• MT 6258:</li> <li>• MT 7220:</li> <li>• MT 7354:</li> <li>• MT 7357:</li> <li>• MT 7360:</li> <li>• MT 7483:</li> <li>• MT 8910:</li> <li>• MT 9964:</li> <li>• MT 3379, 4083, 5897, 6137, 6234, 6303, 7174, 7346, 7582, 7627, 7630, and 7638_SB</li> </ul>	57Y4811	1
Spanish <ul style="list-style-type: none"> <li>• MT 4088:</li> <li>• MT 4099:</li> <li>• MT 4138:</li> <li>• MT 6258:</li> <li>• MT 7220:</li> <li>• MT 7354:</li> <li>• MT 7357:</li> <li>• MT 7360:</li> <li>• MT 7483:</li> <li>• MT 8910:</li> <li>• MT 9964:</li> <li>• MT 3379, 4083, 5897, 6137, 6234, 6303, 7174, 7346, 7582, 7627, 7630, and 7638_SB</li> </ul>	57Y4812	1
Swedish/Finnish <ul style="list-style-type: none"> <li>• MT 4088:</li> <li>• MT 4099:</li> <li>• MT 4138:</li> <li>• MT 6258:</li> <li>• MT 7220:</li> <li>• MT 7354:</li> <li>• MT 7357:</li> <li>• MT 7360:</li> <li>• MT 7483:</li> <li>• MT 8910:</li> <li>• MT 9964:</li> <li>• MT 3379, 4083, 5897, 6137, 6234, 6303, 7174, 7346, 7582, 7627, 7630, and 7638_SB</li> </ul>	57Y4813	1

Keyboard (Lenovo Fingerprint Reader USB)	FRU #	CRU
Swiss French/German <ul style="list-style-type: none"> <li>• MT 4088:</li> <li>• MT 4099:</li> <li>• MT 4138:</li> <li>• MT 6258:</li> <li>• MT 7220:</li> <li>• MT 7354:</li> <li>• MT 7357:</li> <li>• MT 7360:</li> <li>• MT 7483:</li> <li>• MT 8910:</li> <li>• MT 9964:</li> <li>• MT 3379, 4083, 5897, 6137, 6234, 6303, 7174, 7346, 7582, 7627, 7630, and 7638_SB</li> </ul>	57Y4814	1
Thailand <ul style="list-style-type: none"> <li>• MT 4088:</li> <li>• MT 4099:</li> <li>• MT 4138:</li> <li>• MT 6258:</li> <li>• MT 7220:</li> <li>• MT 7354:</li> <li>• MT 7357:</li> <li>• MT 7360:</li> <li>• MT 7483:</li> <li>• MT 8910:</li> <li>• MT 9964:</li> <li>• MT 3379, 4083, 5897, 6137, 6234, 6303, 7174, 7346, 7582, 7627, 7630, and 7638_SB</li> </ul>	57Y4815	1
Turkish <ul style="list-style-type: none"> <li>• MT 4088:</li> <li>• MT 4099:</li> <li>• MT 4138:</li> <li>• MT 6258:</li> <li>• MT 7220:</li> <li>• MT 7354:</li> <li>• MT 7357:</li> <li>• MT 7360:</li> <li>• MT 7483:</li> <li>• MT 8910:</li> <li>• MT 9964:</li> <li>• MT 3379, 4083, 5897, 6137, 6234, 6303, 7174, 7346, 7582, 7627, 7630, and 7638_SB</li> </ul>	57Y4816	1



Keyboard (Lenovo Fingerprint Reader USB)	FRU #	CRU
Turkish <ul style="list-style-type: none"> <li>• MT 4088:</li> <li>• MT 4099:</li> <li>• MT 4138:</li> <li>• MT 6258:</li> <li>• MT 7220:</li> <li>• MT 7354:</li> <li>• MT 7357:</li> <li>• MT 7360:</li> <li>• MT 7483:</li> <li>• MT 8910:</li> <li>• MT 9964:</li> <li>• MT 3379, 4083, 5897, 6137, 6234, 6303, 7174, 7346, 7582, 7627, 7630, and 7638_SB</li> </ul>	57Y4817	1
UK English <ul style="list-style-type: none"> <li>• MT 4088:</li> <li>• MT 4099:</li> <li>• MT 4138:</li> <li>• MT 6258:</li> <li>• MT 7220:</li> <li>• MT 7354:</li> <li>• MT 7357:</li> <li>• MT 7360:</li> <li>• MT 7483:</li> <li>• MT 8910:</li> <li>• MT 9964:</li> <li>• MT 3379, 4083, 5897, 6137, 6234, 6303, 7174, 7346, 7582, 7627, 7630, and 7638_SB</li> </ul>	57Y4818	1
US European <ul style="list-style-type: none"> <li>• MT 4088:</li> <li>• MT 4099:</li> <li>• MT 4138:</li> <li>• MT 6258:</li> <li>• MT 7220:</li> <li>• MT 7354:</li> <li>• MT 7357:</li> <li>• MT 7360:</li> <li>• MT 7483:</li> <li>• MT 8910:</li> <li>• MT 9964:</li> <li>• MT 3379, 4083, 5897, 6137, 6234, 6303, 7174, 7346, 7582, 7627, 7630, and 7638_SB</li> </ul>	57Y4819	1
Slovenian <ul style="list-style-type: none"> <li>• MT 4088:</li> <li>• MT 4099:</li> </ul>	57Y4820	1

Keyboard (Lenovo Fingerprint Reader USB)	FRU #	CRU
<ul style="list-style-type: none"> <li>• MT 4138:</li> <li>• MT 6258:</li> <li>• MT 7220:</li> <li>• MT 7354:</li> <li>• MT 7357:</li> <li>• MT 7360:</li> <li>• MT 7483:</li> <li>• MT 8910:</li> <li>• MT 9964:</li> <li>• MT 3379, 4083, 5897, 6137, 6234, 6303, 7174, 7346, 7582, 7627, 7630, and 7638_SB</li> </ul>		

Mice	FRU #	CRU
<p>Optical wheel mouse (400 DPI), USB - red wheel (primary)</p> <ul style="list-style-type: none"> <li>• MT 4088: A1G</li> <li>• MT 4099: A1G A2G A3G</li> <li>• MT 4138: A1G A2G</li> <li>• MT 6258: BGA BGT BBM BCM BDM BEM BFM B2J B3J B4J B5J B6J AWU AWF B1U B1F AVU AVF B7J B8J D2G D3G D6G D7U D7F D7L D8J D9U D9F DBU DBF DAU DAF DDG DFM E1J E2J</li> <li>• MT 7220: APM AQM ARM ALM AMM ANM AHJ AJJ AKJ AVG AWG B1G B2J ASG AUG AVU AVF AVS AVP AVL AVD AVY AVM AVA AVQ AVT AVC AVB AVH AVV AVK AVR AVE AVJ B3U B3F B4U B4F B5Q C1J C2J</li> <li>• MT 7354: A2G A3G</li> <li>• MT 7357: A4G A5G A2G A3G</li> <li>• MT 7360: E6A E6T E7A E7T E8A E8T E9A E9T EBA EBT DFM DGM DHM DKM DLM DMM DNM DPM DPA DPT DQM DRM DSM DUM DWM E3M E4M E5M ECU ECF DBU DBF EDU EDF EFU EFF EGU EGF EHU EHF EJS EJD EY EKV ELV EMV ENA ENT EPU EPF EPL EQU EQF EQL ERM ESM ETM EUU EUF F1M F2M EVU EVF F3M F4M F5M F6M F7M</li> <li>• MT 7483: BKA BKT B4M B5M B6M B7M B8M B9M BBM BCM BDM BEM</li> </ul>	41U3013	1
<p>Optical wheel mouse (400 DPI), USB - red wheel (secondary)</p> <ul style="list-style-type: none"> <li>• MT 4088: A1G</li> <li>• MT 4099: A1G A2G A3G</li> <li>• MT 4138: A1G A2G</li> <li>• MT 6258: BGA BGT BBM BCM BDM BEM BFM B2J B3J B4J B5J B6J AWU AWF B1U B1F AVU AVF B7J B8J D2G D3G D6G D7U D7F D7L D8J D9U D9F DBU DBF DAU DAF DDG DFM E1J E2J</li> <li>• MT 7220: APM AQM ARM ALM AMM ANM AHJ AJJ AKJ AVG AWG B1G B2J ASG AUG AVU AVF AVS AVP AVL AVD AVY AVM AVA AVQ AVT AVC AVB AVH AVV AVK AVR AVE AVJ B3U B3F B4U B4F B5Q C1J C2J</li> <li>• MT 7354: A2G A3G</li> <li>• MT 7357: A4G A5G A2G A3G</li> <li>• MT 7360: E6A E6T E7A E7T E8A E8T E9A E9T EBA EBT DFM DGM DHM DKM DLM DMM DNM DPM DPA DPT DQM DRM DSM DUM DWM E3M E4M E5M ECU ECF DBU DBF EDU EDF EFU EFF EGU EGF EHU EHF EJS EJD EY EKV ELV EMV</li> </ul>	41U3030	1

Mice	FRU #	CRU
ENA ENT EPU EPF EPL EQU EQF EQL ERM ESM ETM EUU EUF F1M F2M EVU EVF F3M F4M F5M F6M F7M • MT 7483: BKA BKT B4M B5M B6M B7M B8M B9M BBM BCM BDM BE		
(Tower only)PS/2 three button ball mouse • MT 4088: • MT 4099: • MT 4138: • MT 6258: • MT 7220: • MT 7354: • MT 7357: • MT 7360: • MT 7483: • MT 8910: • MT 9964: • MT 3379, 4083, 5897, 6137, 6234, 6303, 7174, 7346, 7582, 7627, 7630, and 7638_SB	41R0018	1
Primax LXB MO28UOA USB mouse • MT 4088: • MT 4099: • MT 4138: • MT 6258: • MT 7220: • MT 7354: • MT 7357: • MT 7360: • MT 7483: • MT 8910: • MT 9964: • MT 3379, 4083, 5897, 6137, 6234, 6303, 7174, 7346, 7582, 7627, 7630, and 7638_SB	89Y1273	1
Logitech LXB M-U0022-O USB mouse • MT 4088: • MT 4099: • MT 4138: • MT 6258: • MT 7220: • MT 7354: • MT 7357: • MT 7360: • MT 7483: • MT 8910: • MT 9964:	89Y1274	1

Mice	FRU #	CRU
<ul style="list-style-type: none"> <li>• MT 3379, 4083, 5897, 6137, 6234, 6303, 7174, 7346, 7582, 7627, 7630, and 7638_SB</li> </ul>		
Liteon LXB SM-1065 USB mouse <ul style="list-style-type: none"> <li>• MT 4088:</li> <li>• MT 4099:</li> <li>• MT 4138:</li> <li>• MT 6258:</li> <li>• MT 7220:</li> <li>• MT 7354:</li> <li>• MT 7357:</li> <li>• MT 7360:</li> <li>• MT 7483:</li> <li>• MT 8910:</li> <li>• MT 9964:</li> <li>• MT 3379, 4083, 5897, 6137, 6234, 6303, 7174, 7346, 7582, 7627, 7630, and 7638_SB</li> </ul>	89Y1275	1

## Adapters and miscellaneous FRUs

Adapters & miscellaneous FRUs	FRU #	CRU
USB2.0 MEDIA CARDREADER,16 in 1,ROHS, Slim <ul style="list-style-type: none"> <li>• MT 4088:</li> <li>• MT 4099:</li> <li>• MT 4138:</li> <li>• MT 6258:</li> <li>• MT 7220:</li> <li>• MT 7354:</li> <li>• MT 7357:</li> <li>• MT 7360:</li> <li>• MT 7483:</li> <li>• MT 8910:</li> <li>• MT 9964:</li> <li>• MT 3379, 4083, 5897, 6137, 6234, 6303, 7174, 7346, 7582, 7627, 7630, and 7638_SB</li> </ul>	46R1529	1
HD3470(RV620 Pro) 256MB 64BIT LP VIDEO CARD sub from 46R1521 <ul style="list-style-type: none"> <li>• MT 4088:</li> <li>• MT 4099:</li> <li>• MT 4138:</li> <li>• MT 6258:</li> <li>• MT 7220:</li> <li>• MT 7354:</li> <li>• MT 7357:</li> <li>• MT 7360:</li> <li>• MT 7483: B7M BEM</li> <li>• MT 8910:</li> </ul>	64Y4498	1

Adapters & miscellaneous FRUs	FRU #	CRU
<ul style="list-style-type: none"> <li>• MT 9964:</li> <li>• MT 3379, 4083, 5897, 6137, 6234, 6303, 7174, 7346, 7582, 7627, 7630, and 7638_SB</li> </ul>		
DP to DVI dongle 200mm <ul style="list-style-type: none"> <li>• MT 4088:</li> <li>• MT 4099:</li> <li>• MT 4138:</li> <li>• MT 6258: E1J E2J</li> <li>• MT 7220: C1J C2J</li> <li>• MT 7354:</li> <li>• MT 7357:</li> <li>• MT 7360: EVU EVF</li> <li>• MT 7483:</li> <li>• MT 8910:</li> <li>• MT 9964:</li> <li>• MT 3379, 4083, 5897, 6137, 6234, 6303, 7174, 7346, 7582, 7627, 7630, and 7638_SB</li> </ul>	43N9160	1
IEEE 1394 firewire adapter (LP) <ul style="list-style-type: none"> <li>• MT 4088:</li> <li>• MT 4099:</li> <li>• MT 4138:</li> <li>• MT 6258:</li> <li>• MT 7220:</li> <li>• MT 7354:</li> <li>• MT 7357:</li> <li>• MT 7360:</li> <li>• MT 7483:</li> <li>• MT 8910:</li> <li>• MT 9964:</li> <li>• MT 3379, 4083, 5897, 6137, 6234, 6303, 7174, 7346, 7582, 7627, 7630, and 7638_SB</li> </ul>	41D2781	1
Speakers (2-piece) Lenovo Logo (secondary) <ul style="list-style-type: none"> <li>• MT 4088:</li> <li>• MT 4099:</li> <li>• MT 4138:</li> <li>• MT 6258:</li> <li>• MT 7220:</li> <li>• MT 7354:</li> <li>• MT 7357:</li> <li>• MT 7360:</li> <li>• MT 7483:</li> <li>• MT 8910:</li> <li>• MT 9964:</li> <li>• MT 3379, 4083, 5897, 6137, 6234, 6303, 7174, 7346, 7582, 7627, 7630, and 7638_SB</li> </ul>	41A5334	1

Adapters & miscellaneous FRUs	FRU #	CRU
Speaker power brick - US, Canada, LA low voltage, ASEAN (TOWER ROCKYS & LX-607) <ul style="list-style-type: none"> <li>• MT 4088:</li> <li>• MT 4099:</li> <li>• MT 4138:</li> <li>• MT 6258: AWU B1U AVU</li> <li>• MT 7220:</li> <li>• MT 7354:</li> <li>• MT 7357:</li> <li>• MT 7360: ECU DBU EDU EFU EGU</li> <li>• MT 7483:</li> <li>• MT 8910: ALU AMU ALS AMS ANS AQU AQS ARU ARS</li> <li>• MT 9964: A6G A7U A8U A7S A8S A9S ABU ABS ACU ACS</li> <li>• MT 3379, 4083, 5897, 6137, 6234, 6303, 7174, 7346, 7582, 7627, 7630, and 7638_SB</li> </ul>	89P8571	1
Modem phone cable <ul style="list-style-type: none"> <li>• MT 4088:</li> <li>• MT 4099:</li> <li>• MT 4138:</li> <li>• MT 6258:</li> <li>• MT 7220:</li> <li>• MT 7354:</li> <li>• MT 7357:</li> <li>• MT 7360:</li> <li>• MT 7483:</li> <li>• MT 8910:</li> <li>• MT 9964:</li> <li>• MT 3379, 4083, 5897, 6137, 6234, 6303, 7174, 7346, 7582, 7627, 7630, and 7638_SB</li> </ul>	39K5120	1
Thermal grease syringe <ul style="list-style-type: none"> <li>• MT 4088:</li> <li>• MT 4099:</li> <li>• MT 4138:</li> <li>• MT 6258:</li> <li>• MT 7220:</li> <li>• MT 7354:</li> <li>• MT 7357:</li> <li>• MT 7360:</li> <li>• MT 7483:</li> <li>• MT 8910:</li> <li>• MT 9964:</li> <li>• MT 3379, 4083, 5897, 6137, 6234, 6303, 7174, 7346, 7582, 7627, 7630, and 7638_SB</li> </ul>	91P8835	2

Adapters & miscellaneous FRUs	FRU #	CRU
Nvidia FX370 256MB 64BIT DMS59 LP VIDEO CARD sub from 53Y6807 <ul style="list-style-type: none"> <li>• MT 4088:</li> <li>• MT 4099:</li> <li>• MT 4138:</li> <li>• MT 6258:</li> <li>• MT 7220:</li> <li>• MT 7354:</li> <li>• MT 7357:</li> <li>• MT 7360:</li> <li>• MT 7483:</li> <li>• MT 8910:</li> <li>• MT 9964:</li> <li>• MT 3379, 4083, 5897, 6137, 6234, 6303, 7174, 7346, 7582, 7627, 7630, and 7638_SB</li> </ul>	64Y4565	1
NVIDIA GeForce 310 512MB DDR3 (VGA+DP) LP <ul style="list-style-type: none"> <li>• MT 4088:</li> <li>• MT 4099:</li> <li>• MT 4138:</li> <li>• MT 6258:</li> <li>• MT 7220:</li> <li>• MT 7354:</li> <li>• MT 7357:</li> <li>• MT 7360:</li> <li>• MT 7483:</li> <li>• MT 8910:</li> <li>• MT 9964:</li> <li>• MT 3379, 4083, 5897, 6137, 6234, 6303, 7174, 7346, 7582, 7627, 7630, and 7638_SB</li> </ul>	03T9009	1
Dongle DMS-59 to single VGA&single DVI cable <ul style="list-style-type: none"> <li>• MT 4088:</li> <li>• MT 4099:</li> <li>• MT 4138:</li> <li>• MT 6258:</li> <li>• MT 7220:</li> <li>• MT 7354:</li> <li>• MT 7357:</li> <li>• MT 7360:</li> <li>• MT 7483:</li> <li>• MT 8910:</li> <li>• MT 9964:</li> <li>• MT 3379, 4083, 5897, 6137, 6234, 6303, 7174, 7346, 7582, 7627, 7630, and 7638_SB</li> </ul>	42Y8183	1

Adapters & miscellaneous FRUs	FRU #	CRU
Dongle DMS-59 to dual VGA cable <ul style="list-style-type: none"> <li>• MT 4088:</li> <li>• MT 4099:</li> <li>• MT 4138:</li> <li>• MT 6258:</li> <li>• MT 7220:</li> <li>• MT 7354:</li> <li>• MT 7357:</li> <li>• MT 7360:</li> <li>• MT 7483:</li> <li>• MT 8910:</li> <li>• MT 9964:</li> <li>• MT 3379, 4083, 5897, 6137, 6234, 6303, 7174, 7346, 7582, 7627, 7630, and 7638_SB</li> </ul>	42Y8181	1
Dongle DMS-59 to dual DVI - I cable <ul style="list-style-type: none"> <li>• MT 4088:</li> <li>• MT 4099:</li> <li>• MT 4138:</li> <li>• MT 6258:</li> <li>• MT 7220:</li> <li>• MT 7354:</li> <li>• MT 7357:</li> <li>• MT 7360:</li> <li>• MT 7483:</li> <li>• MT 8910:</li> <li>• MT 9964:</li> <li>• MT 3379, 4083, 5897, 6137, 6234, 6303, 7174, 7346, 7582, 7627, 7630, and 7638_SB</li> </ul>	41X6398	1
DVI-D card low profile support HDCP <ul style="list-style-type: none"> <li>• MT 4088:</li> <li>• MT 4099:</li> <li>• MT 4138:</li> <li>• MT 6258:</li> <li>• MT 7220:</li> <li>• MT 7354:</li> <li>• MT 7357:</li> <li>• MT 7360:</li> <li>• MT 7483:</li> <li>• MT 8910:</li> <li>• MT 9964:</li> <li>• MT 3379, 4083, 5897, 6137, 6234, 6303, 7174, 7346, 7582, 7627, 7630, and 7638_SB</li> </ul>	43C0258	1



Adapters & miscellaneous FRUs	FRU #	CRU
Display port to VGA dongle <ul style="list-style-type: none"> <li>• MT 4088:</li> <li>• MT 4099:</li> <li>• MT 4138:</li> <li>• MT 6258:</li> <li>• MT 7220:</li> <li>• MT 7354:</li> <li>• MT 7357:</li> <li>• MT 7360:</li> <li>• MT 7483:</li> <li>• MT 8910:</li> <li>• MT 9964:</li> <li>• MT 3379, 4083, 5897, 6137, 6234, 6303, 7174, 7346, 7582, 7627, 7630, and 7638_SB</li> </ul>	45J9524	1
Soft modem V.90/V.44 - <ul style="list-style-type: none"> <li>• MT 4088:</li> <li>• MT 4099:</li> <li>• MT 4138:</li> <li>• MT 6258:</li> <li>• MT 7220:</li> <li>• MT 7354:</li> <li>• MT 7357:</li> <li>• MT 7360:</li> <li>• MT 7483:</li> <li>• MT 8910:</li> <li>• MT 9964:</li> <li>• MT 3379, 4083, 5897, 6137, 6234, 6303, 7174, 7346, 7582, 7627, 7630, and 7638_SB</li> </ul>	46R4220	1

## Power Cords

Power Cords --primary	FRU #	CRU
Line Cord - US <ul style="list-style-type: none"> <li>• MT 4088:</li> <li>• MT 4099:</li> <li>• MT 4138:</li> <li>• MT 6258: BGA AWU AWF B1U B1F AVU AVF D7U D7F D7L D9U D9F DBU DBF DAU DAF</li> <li>• MT 7220: AVG AWG B1G ASG AUG AVU AVF AVS AVD AVL AVH AVT B3U B3F B4U B4F</li> <li>• MT 7354:</li> <li>• MT 7357:</li> <li>• MT 7360: E6A E6T E7A E7T E8A E8T E9A E9T EBA EBT DPA DPT ECU ECF DBU DBF EDU EDF EFU EFF EGU EGF EHU EHF EJS EJD ENA ENT EPU EPF EPL EQU EQF EQL EUU EUF EVU EVF</li> <li>• MT 7483: BKA BKT BRU BRF BVU BVF BWU BWF</li> </ul>	41R3184	1

Power Cords --primary	FRU #	CRU
<ul style="list-style-type: none"> <li>• MT 8910: ALU ALF ALS ALY AMU AMF AMS AMY ANS ANY AQU AQF AQS ARU ARF ARS ASU ASF ASS ATU ATF ATS AUU AUF AUS B1S B1D B2S B2D B3S B3D B4U B4F B4S B5S B5D B6S B6D</li> <li>• MT 9964: A7U A7F A7S A7Y A8U A8F A8S A8Y A9S A9Y ABU ABF ABS ACU ACF ACS ADU ADF ADS AES AED</li> <li>• MT 3379, 4083, 5897, 6137, 6234, 6303, 7174, 7346, 7582, 7627, 7630, and 7638_SB</li> </ul>		
<p>Line Cord - China</p> <ul style="list-style-type: none"> <li>• MT 4088:</li> <li>• MT 4099:</li> <li>• MT 4138:</li> <li>• MT 6258:</li> <li>• MT 7220: AVC</li> <li>• MT 7354:</li> <li>• MT 7357:</li> <li>• MT 7360:</li> <li>• MT 7483:</li> <li>• MT 8910:</li> <li>• MT 9964:</li> <li>• MT 3379, 4083, 5897, 6137, 6234, 6303, 7174, 7346, 7582, 7627, 7630, and 7638_SB</li> </ul>	41R3256	1
<p>Line Cord - Japan</p> <ul style="list-style-type: none"> <li>• MT 4088:</li> <li>• MT 4099:</li> <li>• MT 4138:</li> <li>• MT 6258: B2J B3J B4J B5J B6J B7J B8J D8J E1J E2J</li> <li>• MT 7220: AHJ AJJ AKJ B2J AVJ C1J C2J</li> <li>• MT 7354:</li> <li>• MT 7357:</li> <li>• MT 7360:</li> <li>• MT 7483: BSJ BTJ</li> <li>• MT 8910:</li> <li>• MT 9964:</li> <li>• MT 3379, 4083, 5897, 6137, 6234, 6303, 7174, 7346, 7582, 7627, 7630, and 7638_SB</li> </ul>	41R3248	1
<p>Line Cord - Brazil</p> <ul style="list-style-type: none"> <li>• MT 4088:</li> <li>• MT 4099:</li> <li>• MT 4138:</li> <li>• MT 6258:</li> <li>• MT 7220: AVP</li> <li>• MT 7354:</li> <li>• MT 7357:</li> <li>• MT 7360:</li> <li>• MT 7483:</li> <li>• MT 8910:</li> </ul>	45J9595	1

Power Cords --primary	FRU #	CRU
<ul style="list-style-type: none"> <li>• MT 9964:</li> <li>• MT 3379, 4083, 5897, 6137, 6234, 6303, 7174, 7346, 7582, 7627, 7630, and 7638_SB</li> </ul>		
<p>Line Cord - LA High Volt (APU)</p> <ul style="list-style-type: none"> <li>• MT 4088:</li> <li>• MT 4099:</li> <li>• MT 4138:</li> <li>• MT 6258: D7L</li> <li>• MT 7220: AVY AVL</li> <li>• MT 7354:</li> <li>• MT 7357:</li> <li>• MT 7360: EJY</li> <li>• MT 7483:</li> <li>• MT 8910: B1Y B2Y B3Y B5Y B6Y</li> <li>• MT 9964: AEY</li> <li>• MT 3379, 4083, 5897, 6137, 6234, 6303, 7174, 7346, 7582, 7627, 7630, and 7638_SB</li> </ul>	41R3176	1
<p>Line Cord-Australia / New Zealand</p> <ul style="list-style-type: none"> <li>• MT 4088:</li> <li>• MT 4099:</li> <li>• MT 4138:</li> <li>• MT 6258: BGA AWU AWF B1U B1F AVU AVF</li> <li>• MT 7220: APM AQM ARM ALM AMM ANM AVM</li> <li>• MT 7354:</li> <li>• MT 7357:</li> <li>• MT 7360: E6A E6T E7A E7T E8A E8T E9A E9T EBA EBT DPA DPT ECU ECF DBU DBF EDU EDF EFU EFF EGU EGF ENA ERM ESM ETM F1M F2M F3M F4M F5M F6M F7M</li> <li>• MT 7483: BKA BKT BUM D2M</li> <li>• MT 8910: ALU ALF ALS ALY AMU AMF AMS AMY ANS ANY AQU AQF AQS ARU ARF ARS</li> <li>• MT 9964: A7U A7F A7S A7Y A8U A8F A8S A8Y A9S A9Y ABU ABF ABS ACU ACF ACS</li> <li>• MT 3379, 4083, 5897, 6137, 6234, 6303, 7174, 7346, 7582, 7627, 7630, and 7638_SB</li> </ul>	41R3196	1
<p>Line Cord - Korea</p> <ul style="list-style-type: none"> <li>• MT 4088:</li> <li>• MT 4099:</li> <li>• MT 4138:</li> <li>• MT 6258:</li> <li>• MT 7220: AVK AVR</li> <li>• MT 7354:</li> <li>• MT 7357:</li> <li>• MT 7360:</li> <li>• MT 7483:</li> <li>• MT 8910:</li> <li>• MT 9964:</li> </ul>	41R3260	1

Power Cords --primary	FRU #	CRU
<ul style="list-style-type: none"> <li>• MT 3379, 4083, 5897, 6137, 6234, 6303, 7174, 7346, 7582, 7627, 7630, and 7638_SB</li> </ul>		
<p>Line Cord - Hong Kong, UK, Ireland, Singapore, Malaysia, Brunei, Hong Kong</p> <ul style="list-style-type: none"> <li>• MT 4088:</li> <li>• MT 4099:</li> <li>• MT 4138:</li> <li>• MT 6258:</li> <li>• MT 7220: AVB AVH</li> <li>• MT 7354:</li> <li>• MT 7357:</li> <li>• MT 7360: ENA</li> <li>• MT 7483:</li> <li>• MT 8910:</li> <li>• MT 9964:</li> <li>• MT 3379, 4083, 5897, 6137, 6234, 6303, 7174, 7346, 7582, 7627, 7630, and 7638_SB</li> </ul>	41R3224	1
<p>Line Cord - Taiwan</p> <ul style="list-style-type: none"> <li>• MT 4088:</li> <li>• MT 4099:</li> <li>• MT 4138:</li> <li>• MT 6258:</li> <li>• MT 7220: AVV</li> <li>• MT 7354:</li> <li>• MT 7357:</li> <li>• MT 7360:</li> <li>• MT 7483:</li> <li>• MT 8910:</li> <li>• MT 9964:</li> <li>• MT 3379, 4083, 5897, 6137, 6234, 6303, 7174, 7346, 7582, 7627, 7630, and 7638_SB</li> </ul>	41R3278	1
<p>Line Cord - Italy</p> <ul style="list-style-type: none"> <li>• MT 4088:</li> <li>• MT 4099:</li> <li>• MT 4138:</li> <li>• MT 6258: D7L</li> <li>• MT 7220: AVG AWG B1G ASG AUG AVS AVY AVL</li> <li>• MT 7354:</li> <li>• MT 7357:</li> <li>• MT 7360: EJS EJY</li> <li>• MT 7483:</li> <li>• MT 8910: ASS ATS AUS B1S B1Y B2S B2D B3S B3D B4S B5S B5Y B6S B6Y</li> <li>• MT 9964: ADS AES AEY</li> <li>• MT 3379, 4083, 5897, 6137, 6234, 6303, 7174, 7346, 7582, 7627, 7630, and 7638_SB</li> </ul>	41R3232	1

Power Cords --primary	FRU #	CRU
Line Cord - A models <ul style="list-style-type: none"> <li>• MT 4088:</li> <li>• MT 4099:</li> <li>• MT 4138:</li> <li>• MT 6258: D2G D3G D6G DDG</li> <li>• MT 7220: AVG AWG B1G ASG AUG AVA</li> <li>• MT 7354:</li> <li>• MT 7357:</li> <li>• MT 7360:</li> <li>• MT 7483:</li> <li>• MT 8910:</li> <li>• MT 9964:</li> <li>• MT 3379, 4083, 5897, 6137, 6234, 6303, 7174, 7346, 7582, 7627, 7630, and 7638_SB</li> </ul>	41R3208	1
Line Cord - Denmark <ul style="list-style-type: none"> <li>• MT 4088: A1G</li> <li>• MT 4099: A1G A2G A3G</li> <li>• MT 4138: A1G A2G</li> <li>• MT 6258: D2G D3G D6G DDG</li> <li>• MT 7220: AVG AWG B1G ASG AUG</li> <li>• MT 7354: A2G A3G</li> <li>• MT 7357: A4G A5G A2G A3G</li> <li>• MT 7360:</li> <li>• MT 7483:</li> <li>• MT 8910:</li> <li>• MT 9964: A6G AAG</li> <li>• MT 3379, 4083, 5897, 6137, 6234, 6303, 7174, 7346, 7582, 7627, 7630, and 7638_SB</li> </ul>	41R3212	1
Line Cord - Switzerland <ul style="list-style-type: none"> <li>• MT 4088: A1G</li> <li>• MT 4099: A1G A2G A3G</li> <li>• MT 4138: A1G A2G</li> <li>• MT 6258: D2G D3G D6G DDG</li> <li>• MT 7220:</li> <li>• MT 7354: A2G A3G</li> <li>• MT 7357: A4G A5G A2G A3G</li> <li>• MT 7360:</li> <li>• MT 7483:</li> <li>• MT 8910:</li> <li>• MT 9964: A6G AAG</li> <li>• MT 3379, 4083, 5897, 6137, 6234, 6303, 7174, 7346, 7582, 7627, 7630, and 7638_SB</li> </ul>	41R3228	1

Power Cords --primary	FRU #	CRU
Line Cord - Israel <ul style="list-style-type: none"> <li>• MT 4088: A1G</li> <li>• MT 4099: A1G A2G A3G</li> <li>• MT 4138: A1G A2G</li> <li>• MT 6258: D2G D3G D6G DDG</li> <li>• MT 7220: AVG AWG B1G ASG AUG</li> <li>• MT 7354: A2G A3G</li> <li>• MT 7357: A4G A5G A2G A3G</li> <li>• MT 7360:</li> <li>• MT 7483:</li> <li>• MT 8910:</li> <li>• MT 9964: A6G AAG</li> <li>• MT 3379, 4083, 5897, 6137, 6234, 6303, 7174, 7346, 7582, 7627, 7630, and 7638_SB</li> </ul>	41R3236	1
Line Cord - South Africa <ul style="list-style-type: none"> <li>• MT 4088: A1G</li> <li>• MT 4099: A1G A2G A3G</li> <li>• MT 4138: A1G A2G</li> <li>• MT 6258: BGA BBM BCM BDM BEM BFM D2G D3G DDG DFM</li> <li>• MT 7220: APM AQM ARM ALM AMM ANM AVG AWG B1G ASG AUG AVM AVA</li> <li>• MT 7354: A2G A3G</li> <li>• MT 7357: A4G A5G A2G A3G</li> <li>• MT 7360: E6A E7A E8A E9A EBA DFM DGM DHM DKM DLM DMM DNM DPM DPA DQM DRM DSM DUM DWM E3M E4M E5M ENA ERM ESM ETM F1M F2M F3M F4M F5M F6M F7M</li> <li>• MT 7483: BKA B4M B5M B6M B7M B8M B9M BBM BCM BDM BEM BFM BGM BHM BJM BUM D2M</li> <li>• MT 8910:</li> <li>• MT 9964:</li> <li>• MT 3379, 4083, 5897, 6137, 6234, 6303, 7174, 7346, 7582, 7627, 7630, and 7638_SB</li> </ul>	41R3220	1
Line Cord - India <ul style="list-style-type: none"> <li>• MT 4088:</li> <li>• MT 4099:</li> <li>• MT 4138:</li> <li>• MT 6258:</li> <li>• MT 7220: AVQ B5Q</li> <li>• MT 7354:</li> <li>• MT 7357:</li> <li>• MT 7360:</li> <li>• MT 7483: BLQ D1Q</li> <li>• MT 8910:</li> <li>• MT 9964:</li> </ul>	41R3341	1

Power Cords --primary	FRU #	CRU
<ul style="list-style-type: none"> <li>• MT 3379, 4083, 5897, 6137, 6234, 6303, 7174, 7346, 7582, 7627, 7630, and 7638_SB</li> </ul>		
Line Cord - Thailand <ul style="list-style-type: none"> <li>• MT 4088:</li> <li>• MT 4099:</li> <li>• MT 4138:</li> <li>• MT 6258: BGT BGT</li> <li>• MT 7220:</li> <li>• MT 7354:</li> <li>• MT 7357:</li> <li>• MT 7360:</li> <li>• MT 7483:</li> <li>• MT 8910:</li> <li>• MT 9964:</li> <li>• MT 3379, 4083, 5897, 6137, 6234, 6303, 7174, 7346, 7582, 7627, 7630, and 7638_SB</li> </ul>	43N9029	1

Power cords --secondary	FRU #	CRU
Line Cord - US <ul style="list-style-type: none"> <li>• MT 4088:</li> <li>• MT 4099:</li> <li>• MT 4138:</li> <li>• MT 6258: BGA AWU AWF B1U B1F AVU AVF D7U D7F D7L D9U D9F DBU DBF DAU DAF</li> <li>• MT 7220: AVG AWG B1G ASG AUG AVU AVF AVS AVD AVL AVH AVT B3U B3F B4U B4F</li> <li>• MT 7354:</li> <li>• MT 7357:</li> <li>• MT 7360: E6A E6T E7A E7T E8A E8T E9A E9T EBA EBT DPA DPT ECU ECF DBU DBF EDU EDF EFU EFF EGU EGF EHU EHF EJS EJD ENA ENT EPU EPF EPL EQU EQF EQL EUU EUF EVU EVF</li> <li>• MT 7483: BKA BKT BRU BRF BVU BVF BWU BWF</li> <li>• MT 8910: ALU ALF ALS ALY AMU AMF AMS AMY ANS ANY AQU AQF AQS ARU ARF ARS ASU ASF ASS ATU ATF ATS AUU AUF AUS B1S B1D B2S B2D B3S B3D B4U B4F B4S B5S B5D B6S B6D</li> <li>• MT 9964: A7U A7F A7S A7Y A8U A8F A8S A8Y A9S A9Y ABU ABF ABS ACU ACF ACS ADU ADF ADS AES AED</li> <li>• MT 3379, 4083, 5897, 6137, 6234, 6303, 7174, 7346, 7582, 7627, 7630, and 7638_SB</li> </ul>	41R3185	1
Line Cord - China <ul style="list-style-type: none"> <li>• MT 4088:</li> <li>• MT 4099:</li> <li>• MT 4138:</li> <li>• MT 6258:</li> <li>• MT 7220: AVC</li> <li>• MT 7354:</li> <li>• MT 7357:</li> </ul>	41R3257	1

Power cords --secondary	FRU #	CRU
<ul style="list-style-type: none"> <li>• MT 7360:</li> <li>• MT 7483:</li> <li>• MT 8910:</li> <li>• MT 9964:</li> <li>• MT 3379, 4083, 5897, 6137, 6234, 6303, 7174, 7346, 7582, 7627, 7630, and 7638_SB</li> </ul>		
<p>Line Cord - Japan</p> <ul style="list-style-type: none"> <li>• MT 4088:</li> <li>• MT 4099:</li> <li>• MT 4138:</li> <li>• MT 6258: B2J B3J B4J B5J B6J B7J B8J D8J E1J E2J</li> <li>• MT 7220: AHJ AJJ AKJ B2J AVJ C1J C2J</li> <li>• MT 7354:</li> <li>• MT 7357:</li> <li>• MT 7360:</li> <li>• MT 7483: BSJ BTJ</li> <li>• MT 8910:</li> <li>• MT 9964:</li> <li>• MT 3379, 4083, 5897, 6137, 6234, 6303, 7174, 7346, 7582, 7627, 7630, and 7638_SB</li> </ul>	41R3249	1
<p>Line Cord - Brazil</p> <ul style="list-style-type: none"> <li>• MT 4088:</li> <li>• MT 4099:</li> <li>• MT 4138:</li> <li>• MT 6258:</li> <li>• MT 7220: AVP</li> <li>• MT 7354:</li> <li>• MT 7357:</li> <li>• MT 7360:</li> <li>• MT 7483:</li> <li>• MT 8910:</li> <li>• MT 9964:</li> <li>• MT 3379, 4083, 5897, 6137, 6234, 6303, 7174, 7346, 7582, 7627, 7630, and 7638_SB</li> </ul>	41R3271	1
<p>Line Cord - LA High Volt (APU)</p> <ul style="list-style-type: none"> <li>• MT 4088:</li> <li>• MT 4099:</li> <li>• MT 4138:</li> <li>• MT 6258: D7L</li> <li>• MT 7220: AVY AVL</li> <li>• MT 7354:</li> <li>• MT 7357:</li> <li>• MT 7360: EJY</li> <li>• MT 7483:</li> <li>• MT 8910: B1Y B2Y B3Y B5Y B6Y</li> </ul>	41R3177	1



Power cords --secondary	FRU #	CRU
<ul style="list-style-type: none"> <li>• MT 9964: AEY</li> <li>• MT 3379, 4083, 5897, 6137, 6234, 6303, 7174, 7346, 7582, 7627, 7630, and 7638_SB</li> </ul>		
<p>Line Cord-Australia / New Zealand</p> <ul style="list-style-type: none"> <li>• MT 4088:</li> <li>• MT 4099:</li> <li>• MT 4138:</li> <li>• MT 6258: BGA AWU AWF B1U B1F AVU AVF</li> <li>• MT 7220: APM AQM ARM ALM AMM ANM AVM</li> <li>• MT 7354:</li> <li>• MT 7357:</li> <li>• MT 7360: E6A E6T E7A E7T E8A E8T E9A E9T EBA EBT DPA DPT ECU ECF DBU DBF EDU EDF EFU EFF EGU EGF ENA ERM ESM ETM F1M F2M F3M F4M F5M F6M F7M</li> <li>• MT 7483: BKA BKT BUM D2M</li> <li>• MT 8910: ALU ALF ALS ALY AMU AMF AMS AMY ANS ANY AQU AQF AQS ARU ARF ARS</li> <li>• MT 9964: A7U A7F A7S A7Y A8U A8F A8S A8Y A9S A9Y ABU ABF ABS ACU ACF ACS</li> <li>• MT 3379, 4083, 5897, 6137, 6234, 6303, 7174, 7346, 7582, 7627, 7630, and 7638_SB</li> </ul>	41R3197	1
<p>Line Cord - Korea</p> <ul style="list-style-type: none"> <li>• MT 4088:</li> <li>• MT 4099:</li> <li>• MT 4138:</li> <li>• MT 6258:</li> <li>• MT 7220: AVK AVR</li> <li>• MT 7354:</li> <li>• MT 7357:</li> <li>• MT 7360:</li> <li>• MT 7483:</li> <li>• MT 8910:</li> <li>• MT 9964:</li> <li>• MT 3379, 4083, 5897, 6137, 6234, 6303, 7174, 7346, 7582, 7627, 7630, and 7638_SB</li> </ul>	41R3261	1
<p>Line Cord - Hong Kong, UK, Ireland, Singapore, Malaysia, Brunei, Hong Kong</p> <ul style="list-style-type: none"> <li>• MT 4088:</li> <li>• MT 4099:</li> <li>• MT 4138:</li> <li>• MT 6258:</li> <li>• MT 7220: AVB AVH</li> <li>• MT 7354:</li> <li>• MT 7357:</li> <li>• MT 7360: ENA</li> <li>• MT 7483:</li> <li>• MT 8910:</li> <li>• MT 9964:</li> </ul>	41R3225	1

Power cords --secondary	FRU #	CRU
<ul style="list-style-type: none"> <li>• MT 3379, 4083, 5897, 6137, 6234, 6303, 7174, 7346, 7582, 7627, 7630, and 7638_SB</li> </ul>		
<p>Line Cord - Taiwan</p> <ul style="list-style-type: none"> <li>• MT 4088:</li> <li>• MT 4099:</li> <li>• MT 4138:</li> <li>• MT 6258:</li> <li>• MT 7220: AVV</li> <li>• MT 7354:</li> <li>• MT 7357:</li> <li>• MT 7360:</li> <li>• MT 7483:</li> <li>• MT 8910:</li> <li>• MT 9964:</li> <li>• MT 3379, 4083, 5897, 6137, 6234, 6303, 7174, 7346, 7582, 7627, 7630, and 7638_SB</li> </ul>	41R3279	1
<p>Line Cord - Italy</p> <ul style="list-style-type: none"> <li>• MT 4088:</li> <li>• MT 4099:</li> <li>• MT 4138:</li> <li>• MT 6258: D7L</li> <li>• MT 7220: AVG AWG B1G ASG AUG AVS AVY AVL</li> <li>• MT 7354:</li> <li>• MT 7357:</li> <li>• MT 7360: EJS EJY</li> <li>• MT 7483:</li> <li>• MT 8910: ASS ATS AUS B1S B1Y B2S B2D B3S B3D B4S B5S B5Y B6S B6Y</li> <li>• MT 9964: ADS AES AEY</li> <li>• MT 3379, 4083, 5897, 6137, 6234, 6303, 7174, 7346, 7582, 7627, 7630, and 7638_SB</li> </ul>	41R3233	1
<p>Line Cord - A models</p> <ul style="list-style-type: none"> <li>• MT 4088:</li> <li>• MT 4099:</li> <li>• MT 4138:</li> <li>• MT 6258: D2G D3G D6G DDG</li> <li>• MT 7220: AVG AWG B1G ASG AUG AVA</li> <li>• MT 7354:</li> <li>• MT 7357:</li> <li>• MT 7360:</li> <li>• MT 7483:</li> <li>• MT 8910:</li> <li>• MT 9964:</li> <li>• MT 3379, 4083, 5897, 6137, 6234, 6303, 7174, 7346, 7582, 7627, 7630, and 7638_SB</li> </ul>	41R3209	1

Power cords --secondary	FRU #	CRU
Line Cord - Denmark <ul style="list-style-type: none"> <li>• MT 4088: A1G</li> <li>• MT 4099: A1G A2G A3G</li> <li>• MT 4138: A1G A2G</li> <li>• MT 6258: D2G D3G D6G DDG</li> <li>• MT 7220: AVG AWG B1G ASG AUG</li> <li>• MT 7354: A2G A3G</li> <li>• MT 7357: A4G A5G A2G A3G</li> <li>• MT 7360:</li> <li>• MT 7483:</li> <li>• MT 8910:</li> <li>• MT 9964: A6G AAG</li> <li>• MT 3379, 4083, 5897, 6137, 6234, 6303, 7174, 7346, 7582, 7627, 7630, and 7638_SB</li> </ul>	41R3213	1
Line Cord - Switzerland <ul style="list-style-type: none"> <li>• MT 4088: A1G</li> <li>• MT 4099: A1G A2G A3G</li> <li>• MT 4138: A1G A2G</li> <li>• MT 6258: D2G D3G D6G DDG</li> <li>• MT 7220:</li> <li>• MT 7354: A2G A3G</li> <li>• MT 7357: A4G A5G A2G A3G</li> <li>• MT 7360:</li> <li>• MT 7483:</li> <li>• MT 8910:</li> <li>• MT 9964: A6G AAG</li> <li>• MT 3379, 4083, 5897, 6137, 6234, 6303, 7174, 7346, 7582, 7627, 7630, and 7638_SB</li> </ul>	41R3229	1
Line Cord - Israel <ul style="list-style-type: none"> <li>• MT 4088: A1G</li> <li>• MT 4099: A1G A2G A3G</li> <li>• MT 4138: A1G A2G</li> <li>• MT 6258: D2G D3G D6G DDG</li> <li>• MT 7220: AVG AWG B1G ASG AUG</li> <li>• MT 7354: A2G A3G</li> <li>• MT 7357: A4G A5G A2G A3G</li> <li>• MT 7360:</li> <li>• MT 7483:</li> <li>• MT 8910:</li> <li>• MT 9964: A6G AAG</li> <li>• MT 3379, 4083, 5897, 6137, 6234, 6303, 7174, 7346, 7582, 7627, 7630, and 7638_SB</li> </ul>	41R3237	1

Power cords --secondary	FRU #	CRU
<p>Line Cord - South Africa</p> <ul style="list-style-type: none"> <li>• MT 4088: A1G</li> <li>• MT 4099: A1G A2G A3G</li> <li>• MT 4138: A1G A2G</li> <li>• MT 6258: BGA BBM BCM BDM BEM BFM D2G D3G DDG DFM</li> <li>• MT 7220: APM AQM ARM ALM AMM ANM AVG AWG B1G ASG AUG AVM AVA</li> <li>• MT 7354: A2G A3G</li> <li>• MT 7357: A4G A5G A2G A3G</li> <li>• MT 7360: E6A E7A E8A E9A EBA DFM DGM DHM DKM DLM DMM DNM DPM DPA DQM DRM DSM DUM DWM E3M E4M E5M ENA ERM ESM ETM F1M F2M F3M F4M F5M F6M F7M</li> <li>• MT 7483: BKA B4M B5M B6M B7M B8M B9M BBM BCM BDM BEM BFM BGM BHM BJM BUM D2M</li> <li>• MT 8910:</li> <li>• MT 9964:</li> <li>• MT 3379, 4083, 5897, 6137, 6234, 6303, 7174, 7346, 7582, 7627, 7630, and 7638_SB</li> </ul>	41R3221	1
<p>Line Cord - India</p> <ul style="list-style-type: none"> <li>• MT 4088:</li> <li>• MT 4099:</li> <li>• MT 4138:</li> <li>• MT 6258:</li> <li>• MT 7220: AVQ B5Q</li> <li>• MT 7354:</li> <li>• MT 7357:</li> <li>• MT 7360:</li> <li>• MT 7483: BLQ D1Q</li> <li>• MT 8910:</li> <li>• MT 9964:</li> <li>• MT 3379, 4083, 5897, 6137, 6234, 6303, 7174, 7346, 7582, 7627, 7630, and 7638_SB</li> </ul>	41R3175	1
<p>Line Cord - Thailand</p> <ul style="list-style-type: none"> <li>• MT 4088:</li> <li>• MT 4099:</li> <li>• MT 4138:</li> <li>• MT 6258: BGT BGT</li> <li>• MT 7220:</li> <li>• MT 7354:</li> <li>• MT 7357:</li> <li>• MT 7360:</li> <li>• MT 7483:</li> <li>• MT 8910:</li> <li>• MT 9964:</li> <li>• MT 3379, 4083, 5897, 6137, 6234, 6303, 7174, 7346, 7582, 7627, 7630, and 7638_SB</li> </ul>	43N9030	1

---

## Recovery discs

### Windows XP Professional Recovery CD

**Note:** The Windows XP Professional recovery DVDs are available only for models with a valid Microsoft Windows XP Professional certificate of authenticity (COA) affixed to the system. Due to a Microsoft licensing limitation, if a model came with Windows XP Professional preinstalled from the factory, but has either a Windows 7 or Windows Vista COA affixed to the system, that model is eligible only for recovery DVDs that match the operating system specified on the COA.

Windows XP Professional	FRU #	CRU
Arabic enabled <ul style="list-style-type: none"><li>• MT 4088: CTO</li><li>• MT 4099: CTO</li><li>• MT 4138: CTO</li><li>• MT 6258: CTO</li><li>• MT 7220: CTO</li><li>• MT 7354: CTO</li><li>• MT 7357: CTO</li><li>• MT 7360: CTO</li><li>• MT 7483: CTO</li><li>• MT 8910: CTO</li><li>• MT 9964: CTO</li><li>• MT 3379, 4083, 5897, 6137, 6234, 6303, 7174, 7346, 7582, 7627, 7630, and 7638_SB</li></ul>	71Y8274	1
Brazilian Portuguese <ul style="list-style-type: none"><li>• MT 4088: CTO</li><li>• MT 4099: CTO</li><li>• MT 4138: CTO</li><li>• MT 6258: CTO</li><li>• MT 7220: CTO</li><li>• MT 7354: CTO</li><li>• MT 7357: CTO</li><li>• MT 7360: CTO</li><li>• MT 7483: CTO</li><li>• MT 8910: CTO</li><li>• MT 9964: CTO</li><li>• MT 3379, 4083, 5897, 6137, 6234, 6303, 7174, 7346, 7582, 7627, 7630, and 7638_SB</li></ul>	71Y8275	1

Windows XP Professional	FRU #	CRU
Simplified Chinese <ul style="list-style-type: none"> <li>• MT 4088: CTO</li> <li>• MT 4099: CTO</li> <li>• MT 4138: CTO</li> <li>• MT 6258: CTO</li> <li>• MT 7220: CTO</li> <li>• MT 7354: CTO</li> <li>• MT 7357: CTO</li> <li>• MT 7360: CTO</li> <li>• MT 7483: CTO</li> <li>• MT 8910: CTO</li> <li>• MT 9964: CTO</li> <li>• MT 3379, 4083, 5897, 6137, 6234, 6303, 7174, 7346, 7582, 7627, 7630, and 7638_SB</li> </ul>	71Y8276	1
Traditional Chinese <ul style="list-style-type: none"> <li>• MT 4088: CTO</li> <li>• MT 4099: CTO</li> <li>• MT 4138: CTO</li> <li>• MT 6258: CTO</li> <li>• MT 7220: CTO</li> <li>• MT 7354: CTO</li> <li>• MT 7357: CTO</li> <li>• MT 7360: CTO</li> <li>• MT 7483: CTO</li> <li>• MT 8910: CTO</li> <li>• MT 9964: CTO</li> <li>• MT 3379, 4083, 5897, 6137, 6234, 6303, 7174, 7346, 7582, 7627, 7630, and 7638_SB</li> </ul>	89Y1619	1
Czech <ul style="list-style-type: none"> <li>• MT 4088: CTO</li> <li>• MT 4099: CTO</li> <li>• MT 4138: CTO</li> <li>• MT 6258: CTO</li> <li>• MT 7220: CTO</li> <li>• MT 7354: CTO</li> <li>• MT 7357: CTO</li> <li>• MT 7360: CTO</li> <li>• MT 7483: CTO</li> <li>• MT 8910: CTO</li> <li>• MT 9964: CTO</li> <li>• MT 3379, 4083, 5897, 6137, 6234, 6303, 7174, 7346, 7582, 7627, 7630, and 7638_SB</li> </ul>	71Y8278	1

Windows XP Professional	FRU #	CRU
Danish <ul style="list-style-type: none"> <li>• MT 4088: CTO</li> <li>• MT 4099: CTO</li> <li>• MT 4138: CTO</li> <li>• MT 6258: CTO</li> <li>• MT 7220: CTO</li> <li>• MT 7354: CTO</li> <li>• MT 7357: CTO</li> <li>• MT 7360: CTO</li> <li>• MT 7483: CTO</li> <li>• MT 8910: CTO</li> <li>• MT 9964: CTO</li> <li>• MT 3379, 4083, 5897, 6137, 6234, 6303, 7174, 7346, 7582, 7627, 7630, and 7638_SB</li> </ul>	71Y8279	1
Finland <ul style="list-style-type: none"> <li>• MT 4088: CTO</li> <li>• MT 4099: CTO</li> <li>• MT 4138: CTO</li> <li>• MT 6258: CTO</li> <li>• MT 7220: CTO</li> <li>• MT 7354: CTO</li> <li>• MT 7357: CTO</li> <li>• MT 7360: CTO</li> <li>• MT 7483: CTO</li> <li>• MT 8910: CTO</li> <li>• MT 9964: CTO</li> <li>• MT 3379, 4083, 5897, 6137, 6234, 6303, 7174, 7346, 7582, 7627, 7630, and 7638_SB</li> </ul>	71Y8280	1
French <ul style="list-style-type: none"> <li>• MT 4088: CTO</li> <li>• MT 4099: CTO</li> <li>• MT 4138: CTO</li> <li>• MT 6258: CTO</li> <li>• MT 7220: CTO</li> <li>• MT 7354: CTO</li> <li>• MT 7357: CTO</li> <li>• MT 7360: CTO</li> <li>• MT 7483: CTO</li> <li>• MT 8910: CTO</li> <li>• MT 9964: CTO</li> <li>• MT 3379, 4083, 5897, 6137, 6234, 6303, 7174, 7346, 7582, 7627, 7630, and 7638_SB</li> </ul>	71Y8281	1

Windows XP Professional	FRU #	CRU
Greek <ul style="list-style-type: none"> <li>• MT 4088: CTO</li> <li>• MT 4099: CTO</li> <li>• MT 4138: CTO</li> <li>• MT 6258: CTO</li> <li>• MT 7220: CTO</li> <li>• MT 7354: CTO</li> <li>• MT 7357: CTO</li> <li>• MT 7360: CTO</li> <li>• MT 7483: CTO</li> <li>• MT 8910: CTO</li> <li>• MT 9964: CTO</li> <li>• MT 3379, 4083, 5897, 6137, 6234, 6303, 7174, 7346, 7582, 7627, 7630, and 7638_SB</li> </ul>	71Y8282	1
German <ul style="list-style-type: none"> <li>• MT 4088: CTO</li> <li>• MT 4099: CTO</li> <li>• MT 4138: CTO</li> <li>• MT 6258: CTO</li> <li>• MT 7220: CTO</li> <li>• MT 7354: CTO</li> <li>• MT 7357: CTO</li> <li>• MT 7360: CTO</li> <li>• MT 7483: CTO</li> <li>• MT 8910: CTO</li> <li>• MT 9964: CTO</li> <li>• MT 3379, 4083, 5897, 6137, 6234, 6303, 7174, 7346, 7582, 7627, 7630, and 7638_SB</li> </ul>	89Y7347	1
Hebrew <ul style="list-style-type: none"> <li>• MT 4088: CTO</li> <li>• MT 4099: CTO</li> <li>• MT 4138: CTO</li> <li>• MT 6258: CTO</li> <li>• MT 7220: CTO</li> <li>• MT 7354: CTO</li> <li>• MT 7357: CTO</li> <li>• MT 7360: CTO</li> <li>• MT 7483: CTO</li> <li>• MT 8910: CTO</li> <li>• MT 9964: CTO</li> <li>• MT 3379, 4083, 5897, 6137, 6234, 6303, 7174, 7346, 7582, 7627, 7630, and 7638_SB</li> </ul>	71Y8284	1



Windows XP Professional	FRU #	CRU
Hong Kong <ul style="list-style-type: none"> <li>• MT 4088: CTO</li> <li>• MT 4099: CTO</li> <li>• MT 4138: CTO</li> <li>• MT 6258: CTO</li> <li>• MT 7220: CTO</li> <li>• MT 7354: CTO</li> <li>• MT 7357: CTO</li> <li>• MT 7360: CTO</li> <li>• MT 7483: CTO</li> <li>• MT 8910: CTO</li> <li>• MT 9964: CTO</li> <li>• MT 3379, 4083, 5897, 6137, 6234, 6303, 7174, 7346, 7582, 7627, 7630, and 7638_SB</li> </ul>	71Y8285	1
Hungarian <ul style="list-style-type: none"> <li>• MT 4088: CTO</li> <li>• MT 4099: CTO</li> <li>• MT 4138: CTO</li> <li>• MT 6258: CTO</li> <li>• MT 7220: CTO</li> <li>• MT 7354: CTO</li> <li>• MT 7357: CTO</li> <li>• MT 7360: CTO</li> <li>• MT 7483: CTO</li> <li>• MT 8910: CTO</li> <li>• MT 9964: CTO</li> <li>• MT 3379, 4083, 5897, 6137, 6234, 6303, 7174, 7346, 7582, 7627, 7630, and 7638_SB</li> </ul>	71Y8286	1
Italian <ul style="list-style-type: none"> <li>• MT 4088: CTO</li> <li>• MT 4099: CTO</li> <li>• MT 4138: CTO</li> <li>• MT 6258: CTO</li> <li>• MT 7220: CTO</li> <li>• MT 7354: CTO</li> <li>• MT 7357: CTO</li> <li>• MT 7360: CTO</li> <li>• MT 7483: CTO</li> <li>• MT 8910: CTO</li> <li>• MT 9964: CTO</li> <li>• MT 3379, 4083, 5897, 6137, 6234, 6303, 7174, 7346, 7582, 7627, 7630, and 7638_SB</li> </ul>	71Y8287	1

Windows XP Professional	FRU #	CRU
Japan <ul style="list-style-type: none"> <li>• MT 4088: CTO</li> <li>• MT 4099: CTO</li> <li>• MT 4138: CTO</li> <li>• MT 6258: CTO</li> <li>• MT 7220: CTO</li> <li>• MT 7354: CTO</li> <li>• MT 7357: CTO</li> <li>• MT 7360: CTO</li> <li>• MT 7483: CTO</li> <li>• MT 8910: CTO</li> <li>• MT 9964: CTO</li> <li>• MT 3379, 4083, 5897, 6137, 6234, 6303, 7174, 7346, 7582, 7627, 7630, and 7638_SB</li> </ul>	71Y8288	1
Korea <ul style="list-style-type: none"> <li>• MT 4088: CTO</li> <li>• MT 4099: CTO</li> <li>• MT 4138: CTO</li> <li>• MT 6258: CTO</li> <li>• MT 7220: CTO</li> <li>• MT 7354: CTO</li> <li>• MT 7357: CTO</li> <li>• MT 7360: CTO</li> <li>• MT 7483: CTO</li> <li>• MT 8910: CTO</li> <li>• MT 9964: CTO</li> <li>• MT 3379, 4083, 5897, 6137, 6234, 6303, 7174, 7346, 7582, 7627, 7630, and 7638_SB</li> </ul>	71Y8289	1
Dutch <ul style="list-style-type: none"> <li>• MT 4088: CTO</li> <li>• MT 4099: CTO</li> <li>• MT 4138: CTO</li> <li>• MT 6258: CTO</li> <li>• MT 7220: CTO</li> <li>• MT 7354: CTO</li> <li>• MT 7357: CTO</li> <li>• MT 7360: CTO</li> <li>• MT 7483: CTO</li> <li>• MT 8910: CTO</li> <li>• MT 9964: CTO</li> <li>• MT 3379, 4083, 5897, 6137, 6234, 6303, 7174, 7346, 7582, 7627, 7630, and 7638_SB</li> </ul>	71Y8290	1

Windows XP Professional	FRU #	CRU
Norway <ul style="list-style-type: none"> <li>• MT 4088: CTO</li> <li>• MT 4099: CTO</li> <li>• MT 4138: CTO</li> <li>• MT 6258: CTO</li> <li>• MT 7220: CTO</li> <li>• MT 7354: CTO</li> <li>• MT 7357: CTO</li> <li>• MT 7360: CTO</li> <li>• MT 7483: CTO</li> <li>• MT 8910: CTO</li> <li>• MT 9964: CTO</li> <li>• MT 3379, 4083, 5897, 6137, 6234, 6303, 7174, 7346, 7582, 7627, 7630, and 7638_SB</li> </ul>	71Y8291	1
Polish <ul style="list-style-type: none"> <li>• MT 4088: CTO</li> <li>• MT 4099: CTO</li> <li>• MT 4138: CTO</li> <li>• MT 6258: CTO</li> <li>• MT 7220: CTO</li> <li>• MT 7354: CTO</li> <li>• MT 7357: CTO</li> <li>• MT 7360: CTO</li> <li>• MT 7483: CTO</li> <li>• MT 8910: CTO</li> <li>• MT 9964: CTO</li> <li>• MT 3379, 4083, 5897, 6137, 6234, 6303, 7174, 7346, 7582, 7627, 7630, and 7638_SB</li> </ul>	71Y8292	1
Portuguese <ul style="list-style-type: none"> <li>• MT 4088: CTO</li> <li>• MT 4099: CTO</li> <li>• MT 4138: CTO</li> <li>• MT 6258: CTO</li> <li>• MT 7220: CTO</li> <li>• MT 7354: CTO</li> <li>• MT 7357: CTO</li> <li>• MT 7360: CTO</li> <li>• MT 7483: CTO</li> <li>• MT 8910: CTO</li> <li>• MT 9964: CTO</li> <li>• MT 3379, 4083, 5897, 6137, 6234, 6303, 7174, 7346, 7582, 7627, 7630, and 7638_SB</li> </ul>	71Y8293	1

Windows XP Professional	FRU #	CRU
Russian English <ul style="list-style-type: none"> <li>• MT 4088: CTO</li> <li>• MT 4099: CTO</li> <li>• MT 4138: CTO</li> <li>• MT 6258: CTO</li> <li>• MT 7220: CTO</li> <li>• MT 7354: CTO</li> <li>• MT 7357: CTO</li> <li>• MT 7360: CTO</li> <li>• MT 7483: CTO</li> <li>• MT 8910: CTO</li> <li>• MT 9964: CTO</li> <li>• MT 3379, 4083, 5897, 6137, 6234, 6303, 7174, 7346, 7582, 7627, 7630, and 7638_SB</li> </ul>	71Y8294	1
Russian <ul style="list-style-type: none"> <li>• MT 4088: CTO</li> <li>• MT 4099: CTO</li> <li>• MT 4138: CTO</li> <li>• MT 6258: CTO</li> <li>• MT 7220: CTO</li> <li>• MT 7354: CTO</li> <li>• MT 7357: CTO</li> <li>• MT 7360: CTO</li> <li>• MT 7483: CTO</li> <li>• MT 8910: CTO</li> <li>• MT 9964: CTO</li> <li>• MT 3379, 4083, 5897, 6137, 6234, 6303, 7174, 7346, 7582, 7627, 7630, and 7638_SB</li> </ul>	71Y8295	1
Slovenian <ul style="list-style-type: none"> <li>• MT 4088: CTO</li> <li>• MT 4099: CTO</li> <li>• MT 4138: CTO</li> <li>• MT 6258: CTO</li> <li>• MT 7220: CTO</li> <li>• MT 7354: CTO</li> <li>• MT 7357: CTO</li> <li>• MT 7360: CTO</li> <li>• MT 7483: CTO</li> <li>• MT 8910: CTO</li> <li>• MT 9964: CTO</li> <li>• MT 3379, 4083, 5897, 6137, 6234, 6303, 7174, 7346, 7582, 7627, 7630, and 7638_SB</li> </ul>	71Y8296	1

Windows XP Professional	FRU #	CRU
Spanish <ul style="list-style-type: none"> <li>• MT 4088: CTO</li> <li>• MT 4099: CTO</li> <li>• MT 4138: CTO</li> <li>• MT 6258: CTO</li> <li>• MT 7220: CTO</li> <li>• MT 7354: CTO</li> <li>• MT 7357: CTO</li> <li>• MT 7360: CTO</li> <li>• MT 7483: CTO</li> <li>• MT 8910: CTO</li> <li>• MT 9964: CTO</li> <li>• MT 3379, 4083, 5897, 6137, 6234, 6303, 7174, 7346, 7582, 7627, 7630, and 7638_SB</li> </ul>	71Y8297	1
Swedish <ul style="list-style-type: none"> <li>• MT 4088: CTO</li> <li>• MT 4099: CTO</li> <li>• MT 4138: CTO</li> <li>• MT 6258: CTO</li> <li>• MT 7220: CTO</li> <li>• MT 7354: CTO</li> <li>• MT 7357: CTO</li> <li>• MT 7360: CTO</li> <li>• MT 7483: CTO</li> <li>• MT 8910: CTO</li> <li>• MT 9964: CTO</li> <li>• MT 3379, 4083, 5897, 6137, 6234, 6303, 7174, 7346, 7582, 7627, 7630, and 7638_SB</li> </ul>	71Y8298	1
Turkish <ul style="list-style-type: none"> <li>• MT 4088: CTO</li> <li>• MT 4099: CTO</li> <li>• MT 4138: CTO</li> <li>• MT 6258: CTO</li> <li>• MT 7220: CTO</li> <li>• MT 7354: CTO</li> <li>• MT 7357: CTO</li> <li>• MT 7360: CTO</li> <li>• MT 7483: CTO</li> <li>• MT 8910: CTO</li> <li>• MT 9964: CTO</li> <li>• MT 3379, 4083, 5897, 6137, 6234, 6303, 7174, 7346, 7582, 7627, 7630, and 7638_SB</li> </ul>	71Y8299	1

Windows XP Professional	FRU #	CRU
English <ul style="list-style-type: none"> <li>• MT 4088: CTO</li> <li>• MT 4099: CTO</li> <li>• MT 4138: CTO</li> <li>• MT 6258: CTO</li> <li>• MT 7220: CTO</li> <li>• MT 7354: CTO</li> <li>• MT 7357: CTO</li> <li>• MT 7360: CTO</li> <li>• MT 7483: CTO</li> <li>• MT 8910: CTO</li> <li>• MT 9964: CTO</li> <li>• MT 3379, 4083, 5897, 6137, 6234, 6303, 7174, 7346, 7582, 7627, 7630, and 7638_SB</li> </ul>	71Y9948	1
MUI Nordics EN-DK-FI-NO-SV <ul style="list-style-type: none"> <li>• MT 4088: CTO</li> <li>• MT 4099: CTO</li> <li>• MT 4138: CTO</li> <li>• MT 6258: CTO</li> <li>• MT 7220: CTO</li> <li>• MT 7354: CTO</li> <li>• MT 7357: CTO</li> <li>• MT 7360: CTO</li> <li>• MT 7483: CTO</li> <li>• MT 8910: CTO</li> <li>• MT 9964: CTO</li> <li>• MT 3379, 4083, 5897, 6137, 6234, 6303, 7174, 7346, 7582, 7627, 7630, and 7638_SB</li> </ul>	89Y7378	1
MUI Switz EN-FR-GR-IT <ul style="list-style-type: none"> <li>• MT 4088: CTO</li> <li>• MT 4099: CTO</li> <li>• MT 4138: CTO</li> <li>• MT 6258: CTO</li> <li>• MT 7220: CTO</li> <li>• MT 7354: CTO</li> <li>• MT 7357: CTO</li> <li>• MT 7360: CTO</li> <li>• MT 7483: CTO</li> <li>• MT 8910: CTO</li> <li>• MT 9964: CTO</li> <li>• MT 3379, 4083, 5897, 6137, 6234, 6303, 7174, 7346, 7582, 7627, 7630, and 7638_SB</li> </ul>	89Y7379	1
MUI Bel-Lux EN-FR-GR-NL <ul style="list-style-type: none"> <li>• MT 4088: CTO</li> <li>• MT 4099: CTO</li> </ul>	89Y7380	1

Windows XP Professional	FRU #	CRU
<ul style="list-style-type: none"> <li>• MT 4138: CTO</li> <li>• MT 6258: CTO</li> <li>• MT 7220: CTO</li> <li>• MT 7354: CTO</li> <li>• MT 7357: CTO</li> <li>• MT 7360: CTO</li> <li>• MT 7483: CTO</li> <li>• MT 8910: CTO</li> <li>• MT 9964: CTO</li> <li>• MT 3379, 4083, 5897, 6137, 6234, 6303, 7174, 7346, 7582, 7627, 7630, and 7638_SB</li> </ul>		

## Windows Vista Home Basic 32 Recovery CD

**Note:** The Windows Vista recovery DVDs are available only for models with a valid Microsoft Windows Vista certificate of authenticity (COA) affixed to the system. Due to a Microsoft licensing limitation, if a model came with Windows Vista Business or Windows Vista Ultimate preinstalled from the factory, but has a Windows 7 COA affixed to the system, that model is eligible only for recovery DVDs that match the operating system specified on the COA.

Windows Vista Home Basic 32	FRU #	CRU
US English <ul style="list-style-type: none"> <li>• MT 4088:</li> <li>• MT 4099:</li> <li>• MT 4138:</li> <li>• MT 6258:</li> <li>• MT 7220:</li> <li>• MT 7354:</li> <li>• MT 7357:</li> <li>• MT 7360:</li> <li>• MT 7483:</li> <li>• MT 8910:</li> <li>• MT 9964:</li> <li>• MT 3379, 4083, 5897, 6137, 6234, 6303, 7174, 7346, 7582, 7627, 7630, and 7638_SB</li> </ul>	89Y1969	1
French <ul style="list-style-type: none"> <li>• MT 4088:</li> <li>• MT 4099:</li> <li>• MT 4138:</li> <li>• MT 6258:</li> <li>• MT 7220:</li> <li>• MT 7354:</li> <li>• MT 7357:</li> <li>• MT 7360:</li> <li>• MT 7483:</li> <li>• MT 8910:</li> </ul>	89Y1949	1

Windows Vista Home Basic 32	FRU #	CRU
<ul style="list-style-type: none"> <li>• MT 9964:</li> <li>• MT 3379, 4083, 5897, 6137, 6234, 6303, 7174, 7346, 7582, 7627, 7630, and 7638_SB</li> </ul>		
<p>German</p> <ul style="list-style-type: none"> <li>• MT 4088:</li> <li>• MT 4099:</li> <li>• MT 4138:</li> <li>• MT 6258:</li> <li>• MT 7220:</li> <li>• MT 7354:</li> <li>• MT 7357:</li> <li>• MT 7360:</li> <li>• MT 7483:</li> <li>• MT 8910:</li> <li>• MT 9964:</li> <li>• MT 3379, 4083, 5897, 6137, 6234, 6303, 7174, 7346, 7582, 7627, 7630, and 7638_SB</li> </ul>	89Y1951	1
<p>Spanish</p> <ul style="list-style-type: none"> <li>• MT 4088:</li> <li>• MT 4099:</li> <li>• MT 4138:</li> <li>• MT 6258:</li> <li>• MT 7220:</li> <li>• MT 7354:</li> <li>• MT 7357:</li> <li>• MT 7360:</li> <li>• MT 7483:</li> <li>• MT 8910:</li> <li>• MT 9964:</li> <li>• MT 3379, 4083, 5897, 6137, 6234, 6303, 7174, 7346, 7582, 7627, 7630, and 7638_SB</li> </ul>	89Y1966	1
<p>Brazilian</p> <ul style="list-style-type: none"> <li>• MT 4088:</li> <li>• MT 4099:</li> <li>• MT 4138:</li> <li>• MT 6258:</li> <li>• MT 7220:</li> <li>• MT 7354:</li> <li>• MT 7357:</li> <li>• MT 7360:</li> <li>• MT 7483:</li> <li>• MT 8910:</li> <li>• MT 9964:</li> <li>• MT 3379, 4083, 5897, 6137, 6234, 6303, 7174, 7346, 7582, 7627, 7630, and 7638_SB</li> </ul>	89Y1944	1



Windows Vista Home Basic 32	FRU #	CRU
Italian <ul style="list-style-type: none"> <li>• MT 4088:</li> <li>• MT 4099:</li> <li>• MT 4138:</li> <li>• MT 6258:</li> <li>• MT 7220:</li> <li>• MT 7354:</li> <li>• MT 7357:</li> <li>• MT 7360:</li> <li>• MT 7483:</li> <li>• MT 8910:</li> <li>• MT 9964:</li> <li>• MT 3379, 4083, 5897, 6137, 6234, 6303, 7174, 7346, 7582, 7627, 7630, and 7638_SB</li> </ul>	89Y1955	1
Japanese <ul style="list-style-type: none"> <li>• MT 4088:</li> <li>• MT 4099:</li> <li>• MT 4138:</li> <li>• MT 6258:</li> <li>• MT 7220:</li> <li>• MT 7354:</li> <li>• MT 7357:</li> <li>• MT 7360:</li> <li>• MT 7483:</li> <li>• MT 8910:</li> <li>• MT 9964:</li> <li>• MT 3379, 4083, 5897, 6137, 6234, 6303, 7174, 7346, 7582, 7627, 7630, and 7638_SB</li> </ul>	89Y1956	1
Dutch <ul style="list-style-type: none"> <li>• MT 4088:</li> <li>• MT 4099:</li> <li>• MT 4138:</li> <li>• MT 6258:</li> <li>• MT 7220:</li> <li>• MT 7354:</li> <li>• MT 7357:</li> <li>• MT 7360:</li> <li>• MT 7483:</li> <li>• MT 8910:</li> <li>• MT 9964:</li> <li>• MT 3379, 4083, 5897, 6137, 6234, 6303, 7174, 7346, 7582, 7627, 7630, and 7638_SB</li> </ul>	89Y1958	1

Windows Vista Home Basic 32	FRU #	CRU
Czech <ul style="list-style-type: none"> <li>• MT 4088:</li> <li>• MT 4099:</li> <li>• MT 4138:</li> <li>• MT 6258:</li> <li>• MT 7220:</li> <li>• MT 7354:</li> <li>• MT 7357:</li> <li>• MT 7360:</li> <li>• MT 7483:</li> <li>• MT 8910:</li> <li>• MT 9964:</li> <li>• MT 3379, 4083, 5897, 6137, 6234, 6303, 7174, 7346, 7582, 7627, 7630, and 7638_SB</li> </ul>	89Y1947	1
India English <ul style="list-style-type: none"> <li>• MT 4088:</li> <li>• MT 4099:</li> <li>• MT 4138:</li> <li>• MT 6258:</li> <li>• MT 7220:</li> <li>• MT 7354:</li> <li>• MT 7357:</li> <li>• MT 7360:</li> <li>• MT 7483:</li> <li>• MT 8910:</li> <li>• MT 9964:</li> <li>• MT 3379, 4083, 5897, 6137, 6234, 6303, 7174, 7346, 7582, 7627, 7630, and 7638_SB</li> </ul>	89Y1948	1
Polish <ul style="list-style-type: none"> <li>• MT 4088:</li> <li>• MT 4099:</li> <li>• MT 4138:</li> <li>• MT 6258:</li> <li>• MT 7220:</li> <li>• MT 7354:</li> <li>• MT 7357:</li> <li>• MT 7360:</li> <li>• MT 7483:</li> <li>• MT 8910:</li> <li>• MT 9964:</li> <li>• MT 3379, 4083, 5897, 6137, 6234, 6303, 7174, 7346, 7582, 7627, 7630, and 7638_SB</li> </ul>	89Y1959	1

Windows Vista Home Basic 32	FRU #	CRU
Russian <ul style="list-style-type: none"> <li>• MT 4088:</li> <li>• MT 4099:</li> <li>• MT 4138:</li> <li>• MT 6258:</li> <li>• MT 7220:</li> <li>• MT 7354:</li> <li>• MT 7357:</li> <li>• MT 7360:</li> <li>• MT 7483:</li> <li>• MT 8910:</li> <li>• MT 9964:</li> <li>• MT 3379, 4083, 5897, 6137, 6234, 6303, 7174, 7346, 7582, 7627, 7630, and 7638_SB</li> </ul>	89Y1963	1
Turkish <ul style="list-style-type: none"> <li>• MT 4088:</li> <li>• MT 4099:</li> <li>• MT 4138:</li> <li>• MT 6258:</li> <li>• MT 7220:</li> <li>• MT 7354:</li> <li>• MT 7357:</li> <li>• MT 7360:</li> <li>• MT 7483:</li> <li>• MT 8910:</li> <li>• MT 9964:</li> <li>• MT 3379, 4083, 5897, 6137, 6234, 6303, 7174, 7346, 7582, 7627, 7630, and 7638_SB</li> </ul>	89Y1968	1
Hungarian <ul style="list-style-type: none"> <li>• MT 4088:</li> <li>• MT 4099:</li> <li>• MT 4138:</li> <li>• MT 6258:</li> <li>• MT 7220:</li> <li>• MT 7354:</li> <li>• MT 7357:</li> <li>• MT 7360:</li> <li>• MT 7483:</li> <li>• MT 8910:</li> <li>• MT 9964:</li> <li>• MT 3379, 4083, 5897, 6137, 6234, 6303, 7174, 7346, 7582, 7627, 7630, and 7638_SB</li> </ul>	89Y1954	1

Windows Vista Home Basic 32	FRU #	CRU
Greek <ul style="list-style-type: none"> <li>• MT 4088:</li> <li>• MT 4099:</li> <li>• MT 4138:</li> <li>• MT 6258:</li> <li>• MT 7220:</li> <li>• MT 7354:</li> <li>• MT 7357:</li> <li>• MT 7360:</li> <li>• MT 7483:</li> <li>• MT 8910:</li> <li>• MT 9964:</li> <li>• MT 3379, 4083, 5897, 6137, 6234, 6303, 7174, 7346, 7582, 7627, 7630, and 7638_SB</li> </ul>	89Y1950	1
Portuguese <ul style="list-style-type: none"> <li>• MT 4088:</li> <li>• MT 4099:</li> <li>• MT 4138:</li> <li>• MT 6258:</li> <li>• MT 7220:</li> <li>• MT 7354:</li> <li>• MT 7357:</li> <li>• MT 7360:</li> <li>• MT 7483:</li> <li>• MT 8910:</li> <li>• MT 9964:</li> <li>• MT 3379, 4083, 5897, 6137, 6234, 6303, 7174, 7346, 7582, 7627, 7630, and 7638_SB</li> </ul>	89Y1960	1
Hong Kong <ul style="list-style-type: none"> <li>• MT 4088:</li> <li>• MT 4099:</li> <li>• MT 4138:</li> <li>• MT 6258:</li> <li>• MT 7220:</li> <li>• MT 7354:</li> <li>• MT 7357:</li> <li>• MT 7360:</li> <li>• MT 7483:</li> <li>• MT 8910:</li> <li>• MT 9964:</li> <li>• MT 3379, 4083, 5897, 6137, 6234, 6303, 7174, 7346, 7582, 7627, 7630, and 7638_SB</li> </ul>	89Y1953	1

Windows Vista Home Basic 32	FRU #	CRU
Simplified Chinese <ul style="list-style-type: none"> <li>• MT 4088:</li> <li>• MT 4099:</li> <li>• MT 4138:</li> <li>• MT 6258:</li> <li>• MT 7220:</li> <li>• MT 7354:</li> <li>• MT 7357:</li> <li>• MT 7360:</li> <li>• MT 7483:</li> <li>• MT 8910:</li> <li>• MT 9964:</li> <li>• MT 3379, 4083, 5897, 6137, 6234, 6303, 7174, 7346, 7582, 7627, 7630, and 7638_SB</li> </ul>	89Y1945	1
Traditional Chinese <ul style="list-style-type: none"> <li>• MT 4088:</li> <li>• MT 4099:</li> <li>• MT 4138:</li> <li>• MT 6258:</li> <li>• MT 7220:</li> <li>• MT 7354:</li> <li>• MT 7357:</li> <li>• MT 7360:</li> <li>• MT 7483:</li> <li>• MT 8910:</li> <li>• MT 9964:</li> <li>• MT 3379, 4083, 5897, 6137, 6234, 6303, 7174, 7346, 7582, 7627, 7630, and 7638_SB</li> </ul>	89Y1946	1
Korean <ul style="list-style-type: none"> <li>• MT 4088:</li> <li>• MT 4099:</li> <li>• MT 4138:</li> <li>• MT 6258:</li> <li>• MT 7220:</li> <li>• MT 7354:</li> <li>• MT 7357:</li> <li>• MT 7360:</li> <li>• MT 7483:</li> <li>• MT 8910:</li> <li>• MT 9964:</li> <li>• MT 3379, 4083, 5897, 6137, 6234, 6303, 7174, 7346, 7582, 7627, 7630, and 7638_SB</li> </ul>	89Y1957	1

Windows Vista Home Basic 32	FRU #	CRU
Slovenian <ul style="list-style-type: none"> <li>• MT 4088:</li> <li>• MT 4099:</li> <li>• MT 4138:</li> <li>• MT 6258:</li> <li>• MT 7220:</li> <li>• MT 7354:</li> <li>• MT 7357:</li> <li>• MT 7360:</li> <li>• MT 7483:</li> <li>• MT 8910:</li> <li>• MT 9964:</li> <li>• MT 3379, 4083, 5897, 6137, 6234, 6303, 7174, 7346, 7582, 7627, 7630, and 7638_SB</li> </ul>	89Y1965	1
Russian English <ul style="list-style-type: none"> <li>• MT 4088:</li> <li>• MT 4099:</li> <li>• MT 4138:</li> <li>• MT 6258:</li> <li>• MT 7220:</li> <li>• MT 7354:</li> <li>• MT 7357:</li> <li>• MT 7360:</li> <li>• MT 7483:</li> <li>• MT 8910:</li> <li>• MT 9964:</li> <li>• MT 3379, 4083, 5897, 6137, 6234, 6303, 7174, 7346, 7582, 7627, 7630, and 7638_SB</li> </ul>	89Y1961	1
Hebrew <ul style="list-style-type: none"> <li>• MT 4088:</li> <li>• MT 4099:</li> <li>• MT 4138:</li> <li>• MT 6258:</li> <li>• MT 7220:</li> <li>• MT 7354:</li> <li>• MT 7357:</li> <li>• MT 7360:</li> <li>• MT 7483:</li> <li>• MT 8910:</li> <li>• MT 9964:</li> <li>• MT 3379, 4083, 5897, 6137, 6234, 6303, 7174, 7346, 7582, 7627, 7630, and 7638_SB</li> </ul>	89Y1952	1

Windows Vista Home Basic 32	FRU #	CRU
Arabic Localized <ul style="list-style-type: none"> <li>• MT 4088:</li> <li>• MT 4099:</li> <li>• MT 4138:</li> <li>• MT 6258:</li> <li>• MT 7220:</li> <li>• MT 7354:</li> <li>• MT 7357:</li> <li>• MT 7360:</li> <li>• MT 7483:</li> <li>• MT 8910:</li> <li>• MT 9964:</li> <li>• MT 3379, 4083, 5897, 6137, 6234, 6303, 7174, 7346, 7582, 7627, 7630, and 7638_SB</li> </ul>	89Y1943	1
Slovakian <ul style="list-style-type: none"> <li>• MT 4088:</li> <li>• MT 4099:</li> <li>• MT 4138:</li> <li>• MT 6258:</li> <li>• MT 7220:</li> <li>• MT 7354:</li> <li>• MT 7357:</li> <li>• MT 7360:</li> <li>• MT 7483:</li> <li>• MT 8910:</li> <li>• MT 9964:</li> <li>• MT 3379, 4083, 5897, 6137, 6234, 6303, 7174, 7346, 7582, 7627, 7630, and 7638_SB</li> </ul>	89Y1964	1
Romanian <ul style="list-style-type: none"> <li>• MT 4088:</li> <li>• MT 4099:</li> <li>• MT 4138:</li> <li>• MT 6258:</li> <li>• MT 7220:</li> <li>• MT 7354:</li> <li>• MT 7357:</li> <li>• MT 7360:</li> <li>• MT 7483:</li> <li>• MT 8910:</li> <li>• MT 9964:</li> <li>• MT 3379, 4083, 5897, 6137, 6234, 6303, 7174, 7346, 7582, 7627, 7630, and 7638_SB</li> </ul>	89Y1962	1

Windows Vista Home Basic 32	FRU #	CRU
Serbian-Latin <ul style="list-style-type: none"> <li>• MT 4088:</li> <li>• MT 4099:</li> <li>• MT 4138:</li> <li>• MT 6258:</li> <li>• MT 7220:</li> <li>• MT 7354:</li> <li>• MT 7357:</li> <li>• MT 7360:</li> <li>• MT 7483:</li> <li>• MT 8910:</li> <li>• MT 9964:</li> <li>• MT 3379, 4083, 5897, 6137, 6234, 6303, 7174, 7346, 7582, 7627, 7630, and 7638_SB</li> </ul>	89Y1967	1
C&L1 Nordics (EN DK FI NO SV) <ul style="list-style-type: none"> <li>• MT 4088:</li> <li>• MT 4099:</li> <li>• MT 4138:</li> <li>• MT 6258:</li> <li>• MT 7220:</li> <li>• MT 7354:</li> <li>• MT 7357:</li> <li>• MT 7360:</li> <li>• MT 7483:</li> <li>• MT 8910:</li> <li>• MT 9964:</li> <li>• MT 3379, 4083, 5897, 6137, 6234, 6303, 7174, 7346, 7582, 7627, 7630, and 7638_SB</li> </ul>	89Y1970	1
C&L2 Switzerland (EN FR GR IT) <ul style="list-style-type: none"> <li>• MT 4088:</li> <li>• MT 4099:</li> <li>• MT 4138:</li> <li>• MT 6258:</li> <li>• MT 7220:</li> <li>• MT 7354:</li> <li>• MT 7357:</li> <li>• MT 7360:</li> <li>• MT 7483:</li> <li>• MT 8910:</li> <li>• MT 9964:</li> <li>• MT 3379, 4083, 5897, 6137, 6234, 6303, 7174, 7346, 7582, 7627, 7630, and 7638_SB</li> </ul>	89Y1972	1
C&L3 Bel Lux (EN FR GR NL) <ul style="list-style-type: none"> <li>• MT 4088:</li> <li>• MT 4099:</li> </ul>	89Y1971	1



Windows Vista Home Basic 32	FRU #	CRU
<ul style="list-style-type: none"> <li>• MT 4138:</li> <li>• MT 6258:</li> <li>• MT 7220:</li> <li>• MT 7354:</li> <li>• MT 7357:</li> <li>• MT 7360:</li> <li>• MT 7483:</li> <li>• MT 8910:</li> <li>• MT 9964:</li> <li>• MT 3379, 4083, 5897, 6137, 6234, 6303, 7174, 7346, 7582, 7627, 7630, and 7638_SB</li> </ul>		

### Windows Vista Home Basic 32 SP2 with IE9 Recovery CD

**Note:** The Windows Vista recovery DVDs are available only for models with a valid Microsoft Windows Vista certificate of authenticity (COA) affixed to the system. Due to a Microsoft licensing limitation, if a model came with Windows Vista Business or Windows Vista Ultimate preinstalled from the factory, but has a Windows 7 COA affixed to the system, that model is eligible only for recovery DVDs that match the operating system specified on the COA.

Windows Vista Home Basic 32 SP2 with IE9	FRU #	CRU
US English <ul style="list-style-type: none"> <li>• MT 4088:</li> <li>• MT 4099:</li> <li>• MT 4138:</li> <li>• MT 6258:</li> <li>• MT 7220:</li> <li>• MT 7354:</li> <li>• MT 7357:</li> <li>• MT 7360:</li> <li>• MT 7483:</li> <li>• MT 8910:</li> <li>• MT 9964:</li> <li>• MT 3379, 4083, 5897, 6137, 6234, 6303, 7174, 7346, 7582, 7627, 7630, and 7638_SB</li> </ul>	03T2135	1
French <ul style="list-style-type: none"> <li>• MT 4088:</li> <li>• MT 4099:</li> <li>• MT 4138:</li> <li>• MT 6258:</li> <li>• MT 7220:</li> <li>• MT 7354:</li> <li>• MT 7357:</li> <li>• MT 7360:</li> <li>• MT 7483:</li> <li>• MT 8910:</li> </ul>	03T2115	1

Windows Vista Home Basic 32 SP2 with IE9	FRU #	CRU
<ul style="list-style-type: none"> <li>• MT 9964:</li> <li>• MT 3379, 4083, 5897, 6137, 6234, 6303, 7174, 7346, 7582, 7627, 7630, and 7638_SB</li> </ul>		
<p>Greek</p> <ul style="list-style-type: none"> <li>• MT 4088:</li> <li>• MT 4099:</li> <li>• MT 4138:</li> <li>• MT 6258:</li> <li>• MT 7220:</li> <li>• MT 7354:</li> <li>• MT 7357:</li> <li>• MT 7360:</li> <li>• MT 7483:</li> <li>• MT 8910:</li> <li>• MT 9964:</li> <li>• MT 3379, 4083, 5897, 6137, 6234, 6303, 7174, 7346, 7582, 7627, 7630, and 7638_SB</li> </ul>	03T2116	1
<p>Hebrew</p> <ul style="list-style-type: none"> <li>• MT 4088:</li> <li>• MT 4099:</li> <li>• MT 4138:</li> <li>• MT 6258:</li> <li>• MT 7220:</li> <li>• MT 7354:</li> <li>• MT 7357:</li> <li>• MT 7360:</li> <li>• MT 7483:</li> <li>• MT 8910:</li> <li>• MT 9964:</li> <li>• MT 3379, 4083, 5897, 6137, 6234, 6303, 7174, 7346, 7582, 7627, 7630, and 7638_SB</li> </ul>	03T2118	1
<p>Spanish</p> <ul style="list-style-type: none"> <li>• MT 4088:</li> <li>• MT 4099:</li> <li>• MT 4138:</li> <li>• MT 6258:</li> <li>• MT 7220:</li> <li>• MT 7354:</li> <li>• MT 7357:</li> <li>• MT 7360:</li> <li>• MT 7483:</li> <li>• MT 8910:</li> <li>• MT 9964:</li> <li>• MT 3379, 4083, 5897, 6137, 6234, 6303, 7174, 7346, 7582, 7627, 7630, and 7638_SB</li> </ul>	03T2132	1

Windows Vista Home Basic 32 SP2 with IE9	FRU #	CRU
Brazilian <ul style="list-style-type: none"> <li>• MT 4088:</li> <li>• MT 4099:</li> <li>• MT 4138:</li> <li>• MT 6258:</li> <li>• MT 7220:</li> <li>• MT 7354:</li> <li>• MT 7357:</li> <li>• MT 7360:</li> <li>• MT 7483:</li> <li>• MT 8910:</li> <li>• MT 9964:</li> <li>• MT 3379, 4083, 5897, 6137, 6234, 6303, 7174, 7346, 7582, 7627, 7630, and 7638_SB</li> </ul>	03T2111	1
India English <ul style="list-style-type: none"> <li>• MT 4088:</li> <li>• MT 4099:</li> <li>• MT 4138:</li> <li>• MT 6258:</li> <li>• MT 7220:</li> <li>• MT 7354:</li> <li>• MT 7357:</li> <li>• MT 7360:</li> <li>• MT 7483:</li> <li>• MT 8910:</li> <li>• MT 9964:</li> <li>• MT 3379, 4083, 5897, 6137, 6234, 6303, 7174, 7346, 7582, 7627, 7630, and 7638_SB</li> </ul>	03T2122	1
Dutch <ul style="list-style-type: none"> <li>• MT 4088:</li> <li>• MT 4099:</li> <li>• MT 4138:</li> <li>• MT 6258:</li> <li>• MT 7220:</li> <li>• MT 7354:</li> <li>• MT 7357:</li> <li>• MT 7360:</li> <li>• MT 7483:</li> <li>• MT 8910:</li> <li>• MT 9964:</li> <li>• MT 3379, 4083, 5897, 6137, 6234, 6303, 7174, 7346, 7582, 7627, 7630, and 7638_SB</li> </ul>	03T2124	1

Windows Vista Home Basic 32 SP2 with IE9	FRU #	CRU
Czech <ul style="list-style-type: none"> <li>• MT 4088:</li> <li>• MT 4099:</li> <li>• MT 4138:</li> <li>• MT 6258:</li> <li>• MT 7220:</li> <li>• MT 7354:</li> <li>• MT 7357:</li> <li>• MT 7360:</li> <li>• MT 7483:</li> <li>• MT 8910:</li> <li>• MT 9964:</li> <li>• MT 3379, 4083, 5897, 6137, 6234, 6303, 7174, 7346, 7582, 7627, 7630, and 7638_SB</li> </ul>	03T2114	1
Polish <ul style="list-style-type: none"> <li>• MT 4088:</li> <li>• MT 4099:</li> <li>• MT 4138:</li> <li>• MT 6258:</li> <li>• MT 7220:</li> <li>• MT 7354:</li> <li>• MT 7357:</li> <li>• MT 7360:</li> <li>• MT 7483:</li> <li>• MT 8910:</li> <li>• MT 9964:</li> <li>• MT 3379, 4083, 5897, 6137, 6234, 6303, 7174, 7346, 7582, 7627, 7630, and 7638_SB</li> </ul>	03T2125	1
Russian <ul style="list-style-type: none"> <li>• MT 4088:</li> <li>• MT 4099:</li> <li>• MT 4138:</li> <li>• MT 6258:</li> <li>• MT 7220:</li> <li>• MT 7354:</li> <li>• MT 7357:</li> <li>• MT 7360:</li> <li>• MT 7483:</li> <li>• MT 8910:</li> <li>• MT 9964:</li> <li>• MT 3379, 4083, 5897, 6137, 6234, 6303, 7174, 7346, 7582, 7627, 7630, and 7638_SB</li> </ul>	03T2129	1

Windows Vista Home Basic 32 SP2 with IE9	FRU #	CRU
Turkish <ul style="list-style-type: none"> <li>• MT 4088:</li> <li>• MT 4099:</li> <li>• MT 4138:</li> <li>• MT 6258:</li> <li>• MT 7220:</li> <li>• MT 7354:</li> <li>• MT 7357:</li> <li>• MT 7360:</li> <li>• MT 7483:</li> <li>• MT 8910:</li> <li>• MT 9964:</li> <li>• MT 3379, 4083, 5897, 6137, 6234, 6303, 7174, 7346, 7582, 7627, 7630, and 7638_SB</li> </ul>	03T2134	1
Italian <ul style="list-style-type: none"> <li>• MT 4088:</li> <li>• MT 4099:</li> <li>• MT 4138:</li> <li>• MT 6258:</li> <li>• MT 7220:</li> <li>• MT 7354:</li> <li>• MT 7357:</li> <li>• MT 7360:</li> <li>• MT 7483:</li> <li>• MT 8910:</li> <li>• MT 9964:</li> <li>• MT 3379, 4083, 5897, 6137, 6234, 6303, 7174, 7346, 7582, 7627, 7630, and 7638_SB</li> </ul>	03T2121	1
German <ul style="list-style-type: none"> <li>• MT 4088:</li> <li>• MT 4099:</li> <li>• MT 4138:</li> <li>• MT 6258:</li> <li>• MT 7220:</li> <li>• MT 7354:</li> <li>• MT 7357:</li> <li>• MT 7360:</li> <li>• MT 7483:</li> <li>• MT 8910:</li> <li>• MT 9964:</li> <li>• MT 3379, 4083, 5897, 6137, 6234, 6303, 7174, 7346, 7582, 7627, 7630, and 7638_SB</li> </ul>	03T2117	1

Windows Vista Home Basic 32 SP2 with IE9	FRU #	CRU
Portuguese <ul style="list-style-type: none"> <li>• MT 4088:</li> <li>• MT 4099:</li> <li>• MT 4138:</li> <li>• MT 6258:</li> <li>• MT 7220:</li> <li>• MT 7354:</li> <li>• MT 7357:</li> <li>• MT 7360:</li> <li>• MT 7483:</li> <li>• MT 8910:</li> <li>• MT 9964:</li> <li>• MT 3379, 4083, 5897, 6137, 6234, 6303, 7174, 7346, 7582, 7627, 7630, and 7638_SB</li> </ul>	03T2126	1
Hungarian <ul style="list-style-type: none"> <li>• MT 4088:</li> <li>• MT 4099:</li> <li>• MT 4138:</li> <li>• MT 6258:</li> <li>• MT 7220:</li> <li>• MT 7354:</li> <li>• MT 7357:</li> <li>• MT 7360:</li> <li>• MT 7483:</li> <li>• MT 8910:</li> <li>• MT 9964:</li> <li>• MT 3379, 4083, 5897, 6137, 6234, 6303, 7174, 7346, 7582, 7627, 7630, and 7638_SB</li> </ul>	03T2120	1
Simplified Chinese <ul style="list-style-type: none"> <li>• MT 4088:</li> <li>• MT 4099:</li> <li>• MT 4138:</li> <li>• MT 6258:</li> <li>• MT 7220:</li> <li>• MT 7354:</li> <li>• MT 7357:</li> <li>• MT 7360:</li> <li>• MT 7483:</li> <li>• MT 8910:</li> <li>• MT 9964:</li> <li>• MT 3379, 4083, 5897, 6137, 6234, 6303, 7174, 7346, 7582, 7627, 7630, and 7638_SB</li> </ul>	03T2112	1

Windows Vista Home Basic 32 SP2 with IE9	FRU #	CRU
Traditional Chinese <ul style="list-style-type: none"> <li>• MT 4088:</li> <li>• MT 4099:</li> <li>• MT 4138:</li> <li>• MT 6258:</li> <li>• MT 7220:</li> <li>• MT 7354:</li> <li>• MT 7357:</li> <li>• MT 7360:</li> <li>• MT 7483:</li> <li>• MT 8910:</li> <li>• MT 9964:</li> <li>• MT 3379, 4083, 5897, 6137, 6234, 6303, 7174, 7346, 7582, 7627, 7630, and 7638_SB</li> </ul>	03T2113	1
Korean <ul style="list-style-type: none"> <li>• MT 4088:</li> <li>• MT 4099:</li> <li>• MT 4138:</li> <li>• MT 6258:</li> <li>• MT 7220:</li> <li>• MT 7354:</li> <li>• MT 7357:</li> <li>• MT 7360:</li> <li>• MT 7483:</li> <li>• MT 8910:</li> <li>• MT 9964:</li> <li>• MT 3379, 4083, 5897, 6137, 6234, 6303, 7174, 7346, 7582, 7627, 7630, and 7638_SB</li> </ul>	03T2123	1
Slovenian <ul style="list-style-type: none"> <li>• MT 4088:</li> <li>• MT 4099:</li> <li>• MT 4138:</li> <li>• MT 6258:</li> <li>• MT 7220:</li> <li>• MT 7354:</li> <li>• MT 7357:</li> <li>• MT 7360:</li> <li>• MT 7483:</li> <li>• MT 8910:</li> <li>• MT 9964:</li> <li>• MT 3379, 4083, 5897, 6137, 6234, 6303, 7174, 7346, 7582, 7627, 7630, and 7638_SB</li> </ul>	03T2131	1

Windows Vista Home Basic 32 SP2 with IE9	FRU #	CRU
Russian English <ul style="list-style-type: none"> <li>• MT 4088:</li> <li>• MT 4099:</li> <li>• MT 4138:</li> <li>• MT 6258:</li> <li>• MT 7220:</li> <li>• MT 7354:</li> <li>• MT 7357:</li> <li>• MT 7360:</li> <li>• MT 7483:</li> <li>• MT 8910:</li> <li>• MT 9964:</li> <li>• MT 3379, 4083, 5897, 6137, 6234, 6303, 7174, 7346, 7582, 7627, 7630, and 7638_SB</li> </ul>	03T2127	1
Hong Kong <ul style="list-style-type: none"> <li>• MT 4088:</li> <li>• MT 4099:</li> <li>• MT 4138:</li> <li>• MT 6258:</li> <li>• MT 7220:</li> <li>• MT 7354:</li> <li>• MT 7357:</li> <li>• MT 7360:</li> <li>• MT 7483:</li> <li>• MT 8910:</li> <li>• MT 9964:</li> <li>• MT 3379, 4083, 5897, 6137, 6234, 6303, 7174, 7346, 7582, 7627, 7630, and 7638_SB</li> </ul>	03T2119	1
Arabic Localized <ul style="list-style-type: none"> <li>• MT 4088:</li> <li>• MT 4099:</li> <li>• MT 4138:</li> <li>• MT 6258:</li> <li>• MT 7220:</li> <li>• MT 7354:</li> <li>• MT 7357:</li> <li>• MT 7360:</li> <li>• MT 7483:</li> <li>• MT 8910:</li> <li>• MT 9964:</li> <li>• MT 3379, 4083, 5897, 6137, 6234, 6303, 7174, 7346, 7582, 7627, 7630, and 7638_SB</li> </ul>	03T2110	1



Windows Vista Home Basic 32 SP2 with IE9	FRU #	CRU
Slovakian <ul style="list-style-type: none"> <li>• MT 4088:</li> <li>• MT 4099:</li> <li>• MT 4138:</li> <li>• MT 6258:</li> <li>• MT 7220:</li> <li>• MT 7354:</li> <li>• MT 7357:</li> <li>• MT 7360:</li> <li>• MT 7483:</li> <li>• MT 8910:</li> <li>• MT 9964:</li> <li>• MT 3379, 4083, 5897, 6137, 6234, 6303, 7174, 7346, 7582, 7627, 7630, and 7638_SB</li> </ul>	03T2130	1
Romanian <ul style="list-style-type: none"> <li>• MT 4088:</li> <li>• MT 4099:</li> <li>• MT 4138:</li> <li>• MT 6258:</li> <li>• MT 7220:</li> <li>• MT 7354:</li> <li>• MT 7357:</li> <li>• MT 7360:</li> <li>• MT 7483:</li> <li>• MT 8910:</li> <li>• MT 9964:</li> <li>• MT 3379, 4083, 5897, 6137, 6234, 6303, 7174, 7346, 7582, 7627, 7630, and 7638_SB</li> </ul>	03T2128	1
Serbian-Latin <ul style="list-style-type: none"> <li>• MT 4088:</li> <li>• MT 4099:</li> <li>• MT 4138:</li> <li>• MT 6258:</li> <li>• MT 7220:</li> <li>• MT 7354:</li> <li>• MT 7357:</li> <li>• MT 7360:</li> <li>• MT 7483:</li> <li>• MT 8910:</li> <li>• MT 9964:</li> <li>• MT 3379, 4083, 5897, 6137, 6234, 6303, 7174, 7346, 7582, 7627, 7630, and 7638_SB</li> </ul>	03T2133	1

Windows Vista Home Basic 32 SP2 with IE9	FRU #	CRU
C&L1 Nordics (EN DK FI NO SV) <ul style="list-style-type: none"> <li>• MT 4088:</li> <li>• MT 4099:</li> <li>• MT 4138:</li> <li>• MT 6258:</li> <li>• MT 7220:</li> <li>• MT 7354:</li> <li>• MT 7357:</li> <li>• MT 7360:</li> <li>• MT 7483:</li> <li>• MT 8910:</li> <li>• MT 9964:</li> <li>• MT 3379, 4083, 5897, 6137, 6234, 6303, 7174, 7346, 7582, 7627, 7630, and 7638_SB</li> </ul>	03T2136	1
C&L2 Switzerland (EN FR GR IT) <ul style="list-style-type: none"> <li>• MT 4088:</li> <li>• MT 4099:</li> <li>• MT 4138:</li> <li>• MT 6258:</li> <li>• MT 7220:</li> <li>• MT 7354:</li> <li>• MT 7357:</li> <li>• MT 7360:</li> <li>• MT 7483:</li> <li>• MT 8910:</li> <li>• MT 9964:</li> <li>• MT 3379, 4083, 5897, 6137, 6234, 6303, 7174, 7346, 7582, 7627, 7630, and 7638_SB</li> </ul>	03T2138	1
C&L3 Bel Lux (EN FR GR NL) <ul style="list-style-type: none"> <li>• MT 4088:</li> <li>• MT 4099:</li> <li>• MT 4138:</li> <li>• MT 6258:</li> <li>• MT 7220:</li> <li>• MT 7354:</li> <li>• MT 7357:</li> <li>• MT 7360:</li> <li>• MT 7483:</li> <li>• MT 8910:</li> <li>• MT 9964:</li> <li>• MT 3379, 4083, 5897, 6137, 6234, 6303, 7174, 7346, 7582, 7627, 7630, and 7638_SB</li> </ul>	03T2137	1
Japanese <ul style="list-style-type: none"> <li>• MT 4088:</li> <li>• MT 4099:</li> </ul>	03T2170	1

Windows Vista Home Basic 32 SP2 with IE9	FRU #	CRU
<ul style="list-style-type: none"> <li>• MT 4138:</li> <li>• MT 6258:</li> <li>• MT 7220:</li> <li>• MT 7354:</li> <li>• MT 7357:</li> <li>• MT 7360:</li> <li>• MT 7483:</li> <li>• MT 8910:</li> <li>• MT 9964:</li> <li>• MT 3379, 4083, 5897, 6137, 6234, 6303, 7174, 7346, 7582, 7627, 7630, and 7638_SB</li> </ul>		

## Windows Vista Business 32 Recovery CD

**Note:** The Windows Vista recovery DVDs are available only for models with a valid Microsoft Windows Vista certificate of authenticity (COA) affixed to the system. Due to a Microsoft licensing limitation, if a model came with Windows Vista Business or Windows Vista Ultimate preinstalled from the factory, but has a Windows 7 COA affixed to the system, that model is eligible only for recovery DVDs that match the operating system specified on the COA.

Windows Vista Business 32	FRU #	CRU
US English <ul style="list-style-type: none"> <li>• MT 4088:</li> <li>• MT 4099:</li> <li>• MT 4138:</li> <li>• MT 6258:</li> <li>• MT 7220:</li> <li>• MT 7354:</li> <li>• MT 7357:</li> <li>• MT 7360:</li> <li>• MT 7483:</li> <li>• MT 8910:</li> <li>• MT 9964:</li> <li>• MT 3379, 4083, 5897, 6137, 6234, 6303, 7174, 7346, 7582, 7627, 7630, and 7638_SB</li> </ul>	89Y1939	1
French <ul style="list-style-type: none"> <li>• MT 4088:</li> <li>• MT 4099:</li> <li>• MT 4138:</li> <li>• MT 6258:</li> <li>• MT 7220:</li> <li>• MT 7354:</li> <li>• MT 7357:</li> <li>• MT 7360:</li> <li>• MT 7483:</li> <li>• MT 8910:</li> </ul>	89Y1918	1

Windows Vista Business 32	FRU #	CRU
<ul style="list-style-type: none"> <li>• MT 9964:</li> <li>• MT 3379, 4083, 5897, 6137, 6234, 6303, 7174, 7346, 7582, 7627, 7630, and 7638_SB</li> </ul>		
<p>German</p> <ul style="list-style-type: none"> <li>• MT 4088:</li> <li>• MT 4099:</li> <li>• MT 4138:</li> <li>• MT 6258:</li> <li>• MT 7220:</li> <li>• MT 7354:</li> <li>• MT 7357:</li> <li>• MT 7360:</li> <li>• MT 7483:</li> <li>• MT 8910:</li> <li>• MT 9964:</li> <li>• MT 3379, 4083, 5897, 6137, 6234, 6303, 7174, 7346, 7582, 7627, 7630, and 7638_SB</li> </ul>	89Y1920	1
<p>Spanish</p> <ul style="list-style-type: none"> <li>• MT 4088:</li> <li>• MT 4099:</li> <li>• MT 4138:</li> <li>• MT 6258:</li> <li>• MT 7220:</li> <li>• MT 7354:</li> <li>• MT 7357:</li> <li>• MT 7360:</li> <li>• MT 7483:</li> <li>• MT 8910:</li> <li>• MT 9964:</li> <li>• MT 3379, 4083, 5897, 6137, 6234, 6303, 7174, 7346, 7582, 7627, 7630, and 7638_SB</li> </ul>	89Y1936	1
<p>B/P</p> <ul style="list-style-type: none"> <li>• MT 4088:</li> <li>• MT 4099:</li> <li>• MT 4138:</li> <li>• MT 6258:</li> <li>• MT 7220:</li> <li>• MT 7354:</li> <li>• MT 7357:</li> <li>• MT 7360:</li> <li>• MT 7483:</li> <li>• MT 8910:</li> <li>• MT 9964:</li> <li>• MT 3379, 4083, 5897, 6137, 6234, 6303, 7174, 7346, 7582, 7627, 7630, and 7638_SB</li> </ul>	89Y1914	1

Windows Vista Business 32	FRU #	CRU
Italy <ul style="list-style-type: none"> <li>• MT 4088:</li> <li>• MT 4099:</li> <li>• MT 4138:</li> <li>• MT 6258:</li> <li>• MT 7220:</li> <li>• MT 7354:</li> <li>• MT 7357:</li> <li>• MT 7360:</li> <li>• MT 7483:</li> <li>• MT 8910:</li> <li>• MT 9964:</li> <li>• MT 3379, 4083, 5897, 6137, 6234, 6303, 7174, 7346, 7582, 7627, 7630, and 7638_SB</li> </ul>	89Y1925	1
Japanese <ul style="list-style-type: none"> <li>• MT 4088:</li> <li>• MT 4099:</li> <li>• MT 4138:</li> <li>• MT 6258:</li> <li>• MT 7220:</li> <li>• MT 7354:</li> <li>• MT 7357:</li> <li>• MT 7360:</li> <li>• MT 7483:</li> <li>• MT 8910:</li> <li>• MT 9964:</li> <li>• MT 3379, 4083, 5897, 6137, 6234, 6303, 7174, 7346, 7582, 7627, 7630, and 7638_SB</li> </ul>	89Y1926	1
Dutch <ul style="list-style-type: none"> <li>• MT 4088:</li> <li>• MT 4099:</li> <li>• MT 4138:</li> <li>• MT 6258:</li> <li>• MT 7220:</li> <li>• MT 7354:</li> <li>• MT 7357:</li> <li>• MT 7360:</li> <li>• MT 7483:</li> <li>• MT 8910:</li> <li>• MT 9964:</li> <li>• MT 3379, 4083, 5897, 6137, 6234, 6303, 7174, 7346, 7582, 7627, 7630, and 7638_SB</li> </ul>	89Y1928	1

Windows Vista Business 32	FRU #	CRU
Czech <ul style="list-style-type: none"> <li>• MT 4088:</li> <li>• MT 4099:</li> <li>• MT 4138:</li> <li>• MT 6258:</li> <li>• MT 7220:</li> <li>• MT 7354:</li> <li>• MT 7357:</li> <li>• MT 7360:</li> <li>• MT 7483:</li> <li>• MT 8910:</li> <li>• MT 9964:</li> <li>• MT 3379, 4083, 5897, 6137, 6234, 6303, 7174, 7346, 7582, 7627, 7630, and 7638_SB</li> </ul>	89Y1917	1
Polish <ul style="list-style-type: none"> <li>• MT 4088:</li> <li>• MT 4099:</li> <li>• MT 4138:</li> <li>• MT 6258:</li> <li>• MT 7220:</li> <li>• MT 7354:</li> <li>• MT 7357:</li> <li>• MT 7360:</li> <li>• MT 7483:</li> <li>• MT 8910:</li> <li>• MT 9964:</li> <li>• MT 3379, 4083, 5897, 6137, 6234, 6303, 7174, 7346, 7582, 7627, 7630, and 7638_SB</li> </ul>	89Y1929	1
Russian <ul style="list-style-type: none"> <li>• MT 4088:</li> <li>• MT 4099:</li> <li>• MT 4138:</li> <li>• MT 6258:</li> <li>• MT 7220:</li> <li>• MT 7354:</li> <li>• MT 7357:</li> <li>• MT 7360:</li> <li>• MT 7483:</li> <li>• MT 8910:</li> <li>• MT 9964:</li> <li>• MT 3379, 4083, 5897, 6137, 6234, 6303, 7174, 7346, 7582, 7627, 7630, and 7638_SB</li> </ul>	89Y1933	1

Windows Vista Business 32	FRU #	CRU
Turkish <ul style="list-style-type: none"> <li>• MT 4088:</li> <li>• MT 4099:</li> <li>• MT 4138:</li> <li>• MT 6258:</li> <li>• MT 7220:</li> <li>• MT 7354:</li> <li>• MT 7357:</li> <li>• MT 7360:</li> <li>• MT 7483:</li> <li>• MT 8910:</li> <li>• MT 9964:</li> <li>• MT 3379, 4083, 5897, 6137, 6234, 6303, 7174, 7346, 7582, 7627, 7630, and 7638_SB</li> </ul>	89Y1938	1
Hungarian <ul style="list-style-type: none"> <li>• MT 4088:</li> <li>• MT 4099:</li> <li>• MT 4138:</li> <li>• MT 6258:</li> <li>• MT 7220:</li> <li>• MT 7354:</li> <li>• MT 7357:</li> <li>• MT 7360:</li> <li>• MT 7483:</li> <li>• MT 8910:</li> <li>• MT 9964:</li> <li>• MT 3379, 4083, 5897, 6137, 6234, 6303, 7174, 7346, 7582, 7627, 7630, and 7638_SB</li> </ul>	89Y1923	1
Inida English <ul style="list-style-type: none"> <li>• MT 4088:</li> <li>• MT 4099:</li> <li>• MT 4138:</li> <li>• MT 6258:</li> <li>• MT 7220:</li> <li>• MT 7354:</li> <li>• MT 7357:</li> <li>• MT 7360:</li> <li>• MT 7483:</li> <li>• MT 8910:</li> <li>• MT 9964:</li> <li>• MT 3379, 4083, 5897, 6137, 6234, 6303, 7174, 7346, 7582, 7627, 7630, and 7638_SB</li> </ul>	89Y1924	1

Windows Vista Business 32	FRU #	CRU
Greek <ul style="list-style-type: none"> <li>• MT 4088:</li> <li>• MT 4099:</li> <li>• MT 4138:</li> <li>• MT 6258:</li> <li>• MT 7220:</li> <li>• MT 7354:</li> <li>• MT 7357:</li> <li>• MT 7360:</li> <li>• MT 7483:</li> <li>• MT 8910:</li> <li>• MT 9964:</li> <li>• MT 3379, 4083, 5897, 6137, 6234, 6303, 7174, 7346, 7582, 7627, 7630, and 7638_SB</li> </ul>	89Y1919	1
Portuguese <ul style="list-style-type: none"> <li>• MT 4088:</li> <li>• MT 4099:</li> <li>• MT 4138:</li> <li>• MT 6258:</li> <li>• MT 7220:</li> <li>• MT 7354:</li> <li>• MT 7357:</li> <li>• MT 7360:</li> <li>• MT 7483:</li> <li>• MT 8910:</li> <li>• MT 9964:</li> <li>• MT 3379, 4083, 5897, 6137, 6234, 6303, 7174, 7346, 7582, 7627, 7630, and 7638_SB</li> </ul>	89Y1930	1
Simplified Chinese <ul style="list-style-type: none"> <li>• MT 4088:</li> <li>• MT 4099:</li> <li>• MT 4138:</li> <li>• MT 6258:</li> <li>• MT 7220:</li> <li>• MT 7354:</li> <li>• MT 7357:</li> <li>• MT 7360:</li> <li>• MT 7483:</li> <li>• MT 8910:</li> <li>• MT 9964:</li> <li>• MT 3379, 4083, 5897, 6137, 6234, 6303, 7174, 7346, 7582, 7627, 7630, and 7638_SB</li> </ul>	89Y1915	1



Windows Vista Business 32	FRU #	CRU
Traditional Chinese <ul style="list-style-type: none"> <li>• MT 4088:</li> <li>• MT 4099:</li> <li>• MT 4138:</li> <li>• MT 6258:</li> <li>• MT 7220:</li> <li>• MT 7354:</li> <li>• MT 7357:</li> <li>• MT 7360:</li> <li>• MT 7483:</li> <li>• MT 8910:</li> <li>• MT 9964:</li> <li>• MT 3379, 4083, 5897, 6137, 6234, 6303, 7174, 7346, 7582, 7627, 7630, and 7638_SB</li> </ul>	89Y1916	1
Hong Kong <ul style="list-style-type: none"> <li>• MT 4088:</li> <li>• MT 4099:</li> <li>• MT 4138:</li> <li>• MT 6258:</li> <li>• MT 7220:</li> <li>• MT 7354:</li> <li>• MT 7357:</li> <li>• MT 7360:</li> <li>• MT 7483:</li> <li>• MT 8910:</li> <li>• MT 9964:</li> <li>• MT 3379, 4083, 5897, 6137, 6234, 6303, 7174, 7346, 7582, 7627, 7630, and 7638_SB</li> </ul>	89Y1922	1
Korean <ul style="list-style-type: none"> <li>• MT 4088:</li> <li>• MT 4099:</li> <li>• MT 4138:</li> <li>• MT 6258:</li> <li>• MT 7220:</li> <li>• MT 7354:</li> <li>• MT 7357:</li> <li>• MT 7360:</li> <li>• MT 7483:</li> <li>• MT 8910:</li> <li>• MT 9964:</li> <li>• MT 3379, 4083, 5897, 6137, 6234, 6303, 7174, 7346, 7582, 7627, 7630, and 7638_SB</li> </ul>	89Y1927	1

Windows Vista Business 32	FRU #	CRU
Slovenian <ul style="list-style-type: none"> <li>• MT 4088:</li> <li>• MT 4099:</li> <li>• MT 4138:</li> <li>• MT 6258:</li> <li>• MT 7220:</li> <li>• MT 7354:</li> <li>• MT 7357:</li> <li>• MT 7360:</li> <li>• MT 7483:</li> <li>• MT 8910:</li> <li>• MT 9964:</li> <li>• MT 3379, 4083, 5897, 6137, 6234, 6303, 7174, 7346, 7582, 7627, 7630, and 7638_SB</li> </ul>	89Y1935	1
Russian English <ul style="list-style-type: none"> <li>• MT 4088:</li> <li>• MT 4099:</li> <li>• MT 4138:</li> <li>• MT 6258:</li> <li>• MT 7220:</li> <li>• MT 7354:</li> <li>• MT 7357:</li> <li>• MT 7360:</li> <li>• MT 7483:</li> <li>• MT 8910:</li> <li>• MT 9964:</li> <li>• MT 3379, 4083, 5897, 6137, 6234, 6303, 7174, 7346, 7582, 7627, 7630, and 7638_SB</li> </ul>	89Y1931	1
Romanian <ul style="list-style-type: none"> <li>• MT 4088:</li> <li>• MT 4099:</li> <li>• MT 4138:</li> <li>• MT 6258:</li> <li>• MT 7220:</li> <li>• MT 7354:</li> <li>• MT 7357:</li> <li>• MT 7360:</li> <li>• MT 7483:</li> <li>• MT 8910:</li> <li>• MT 9964:</li> <li>• MT 3379, 4083, 5897, 6137, 6234, 6303, 7174, 7346, 7582, 7627, 7630, and 7638_SB</li> </ul>	89Y1932	1

Windows Vista Business 32	FRU #	CRU
Serbian-Latin <ul style="list-style-type: none"> <li>• MT 4088:</li> <li>• MT 4099:</li> <li>• MT 4138:</li> <li>• MT 6258:</li> <li>• MT 7220:</li> <li>• MT 7354:</li> <li>• MT 7357:</li> <li>• MT 7360:</li> <li>• MT 7483:</li> <li>• MT 8910:</li> <li>• MT 9964:</li> <li>• MT 3379, 4083, 5897, 6137, 6234, 6303, 7174, 7346, 7582, 7627, 7630, and 7638_SB</li> </ul>	89Y1937	1
Slovakian <ul style="list-style-type: none"> <li>• MT 4088:</li> <li>• MT 4099:</li> <li>• MT 4138:</li> <li>• MT 6258:</li> <li>• MT 7220:</li> <li>• MT 7354:</li> <li>• MT 7357:</li> <li>• MT 7360:</li> <li>• MT 7483:</li> <li>• MT 8910:</li> <li>• MT 9964:</li> <li>• MT 3379, 4083, 5897, 6137, 6234, 6303, 7174, 7346, 7582, 7627, 7630, and 7638_SB</li> </ul>	89Y1934	1
Arabic Localized <ul style="list-style-type: none"> <li>• MT 4088:</li> <li>• MT 4099:</li> <li>• MT 4138:</li> <li>• MT 6258:</li> <li>• MT 7220:</li> <li>• MT 7354:</li> <li>• MT 7357:</li> <li>• MT 7360:</li> <li>• MT 7483:</li> <li>• MT 8910:</li> <li>• MT 9964:</li> <li>• MT 3379, 4083, 5897, 6137, 6234, 6303, 7174, 7346, 7582, 7627, 7630, and 7638_SB</li> </ul>	89Y1913	1

Windows Vista Business 32	FRU #	CRU
Hebrew <ul style="list-style-type: none"> <li>• MT 4088:</li> <li>• MT 4099:</li> <li>• MT 4138:</li> <li>• MT 6258:</li> <li>• MT 7220:</li> <li>• MT 7354:</li> <li>• MT 7357:</li> <li>• MT 7360:</li> <li>• MT 7483:</li> <li>• MT 8910:</li> <li>• MT 9964:</li> <li>• MT 3379, 4083, 5897, 6137, 6234, 6303, 7174, 7346, 7582, 7627, 7630, and 7638_SB</li> </ul>	89Y1921	1
C&L1 Nordics (EN DK FI NO SV) <ul style="list-style-type: none"> <li>• MT 4088:</li> <li>• MT 4099:</li> <li>• MT 4138:</li> <li>• MT 6258:</li> <li>• MT 7220:</li> <li>• MT 7354:</li> <li>• MT 7357:</li> <li>• MT 7360:</li> <li>• MT 7483:</li> <li>• MT 8910:</li> <li>• MT 9964:</li> <li>• MT 3379, 4083, 5897, 6137, 6234, 6303, 7174, 7346, 7582, 7627, 7630, and 7638_SB</li> </ul>	89Y1940	1
C&L2 Switzerland (EN FR GR IT) <ul style="list-style-type: none"> <li>• MT 4088:</li> <li>• MT 4099:</li> <li>• MT 4138:</li> <li>• MT 6258:</li> <li>• MT 7220:</li> <li>• MT 7354:</li> <li>• MT 7357:</li> <li>• MT 7360:</li> <li>• MT 7483:</li> <li>• MT 8910:</li> <li>• MT 9964:</li> <li>• MT 3379, 4083, 5897, 6137, 6234, 6303, 7174, 7346, 7582, 7627, 7630, and 7638_SB</li> </ul>	89Y1942	1
C&L3 Bel Lux (EN FR GR NL) <ul style="list-style-type: none"> <li>• MT 4088:</li> <li>• MT 4099:</li> </ul>	89Y1941	1

Windows Vista Business 32	FRU #	CRU
<ul style="list-style-type: none"> <li>• MT 4138:</li> <li>• MT 6258:</li> <li>• MT 7220:</li> <li>• MT 7354:</li> <li>• MT 7357:</li> <li>• MT 7360:</li> <li>• MT 7483:</li> <li>• MT 8910:</li> <li>• MT 9964:</li> <li>• MT 3379, 4083, 5897, 6137, 6234, 6303, 7174, 7346, 7582, 7627, 7630, and 7638_SB</li> </ul>		

## Windows Vista Business 32 SP2 with IE 9 Recovery CD

**Note:** The Windows Vista recovery DVDs are available only for models with a valid Microsoft Windows Vista certificate of authenticity (COA) affixed to the system. Due to a Microsoft licensing limitation, if a model came with Windows Vista Business or Windows Vista Ultimate preinstalled from the factory, but has a Windows 7 COA affixed to the system, that model is eligible only for recovery DVDs that match the operating system specified on the COA.

Windows Vista Business 32 SP2 with IE 9	FRU #	CRU
US English <ul style="list-style-type: none"> <li>• MT 4088:</li> <li>• MT 4099:</li> <li>• MT 4138:</li> <li>• MT 6258:</li> <li>• MT 7220:</li> <li>• MT 7354:</li> <li>• MT 7357:</li> <li>• MT 7360:</li> <li>• MT 7483:</li> <li>• MT 8910:</li> <li>• MT 9964:</li> <li>• MT 3379, 4083, 5897, 6137, 6234, 6303, 7174, 7346, 7582, 7627, 7630, and 7638_SB</li> </ul>	03T2164	1
French <ul style="list-style-type: none"> <li>• MT 4088:</li> <li>• MT 4099:</li> <li>• MT 4138:</li> <li>• MT 6258:</li> <li>• MT 7220:</li> <li>• MT 7354:</li> <li>• MT 7357:</li> <li>• MT 7360:</li> <li>• MT 7483:</li> <li>• MT 8910:</li> </ul>	03T2144	1

Windows Vista Business 32 SP2 with IE 9	FRU #	CRU
<ul style="list-style-type: none"> <li>• MT 9964:</li> <li>• MT 3379, 4083, 5897, 6137, 6234, 6303, 7174, 7346, 7582, 7627, 7630, and 7638_SB</li> </ul>		
<p>German</p> <ul style="list-style-type: none"> <li>• MT 4088:</li> <li>• MT 4099:</li> <li>• MT 4138:</li> <li>• MT 6258:</li> <li>• MT 7220:</li> <li>• MT 7354:</li> <li>• MT 7357:</li> <li>• MT 7360:</li> <li>• MT 7483:</li> <li>• MT 8910:</li> <li>• MT 9964:</li> <li>• MT 3379, 4083, 5897, 6137, 6234, 6303, 7174, 7346, 7582, 7627, 7630, and 7638_SB</li> </ul>	03T2146	1
<p>Spanish</p> <ul style="list-style-type: none"> <li>• MT 4088:</li> <li>• MT 4099:</li> <li>• MT 4138:</li> <li>• MT 6258:</li> <li>• MT 7220:</li> <li>• MT 7354:</li> <li>• MT 7357:</li> <li>• MT 7360:</li> <li>• MT 7483:</li> <li>• MT 8910:</li> <li>• MT 9964:</li> <li>• MT 3379, 4083, 5897, 6137, 6234, 6303, 7174, 7346, 7582, 7627, 7630, and 7638_SB</li> </ul>	03T2161	1
<p>B/P</p> <ul style="list-style-type: none"> <li>• MT 4088:</li> <li>• MT 4099:</li> <li>• MT 4138:</li> <li>• MT 6258:</li> <li>• MT 7220:</li> <li>• MT 7354:</li> <li>• MT 7357:</li> <li>• MT 7360:</li> <li>• MT 7483:</li> <li>• MT 8910:</li> <li>• MT 9964:</li> <li>• MT 3379, 4083, 5897, 6137, 6234, 6303, 7174, 7346, 7582, 7627, 7630, and 7638_SB</li> </ul>	03T2140	1

Windows Vista Business 32 SP2 with IE 9	FRU #	CRU
Italy <ul style="list-style-type: none"> <li>• MT 4088:</li> <li>• MT 4099:</li> <li>• MT 4138:</li> <li>• MT 6258:</li> <li>• MT 7220:</li> <li>• MT 7354:</li> <li>• MT 7357:</li> <li>• MT 7360:</li> <li>• MT 7483:</li> <li>• MT 8910:</li> <li>• MT 9964:</li> <li>• MT 3379, 4083, 5897, 6137, 6234, 6303, 7174, 7346, 7582, 7627, 7630, and 7638_SB</li> </ul>	03T2151	1
Dutch <ul style="list-style-type: none"> <li>• MT 4088:</li> <li>• MT 4099:</li> <li>• MT 4138:</li> <li>• MT 6258:</li> <li>• MT 7220:</li> <li>• MT 7354:</li> <li>• MT 7357:</li> <li>• MT 7360:</li> <li>• MT 7483:</li> <li>• MT 8910:</li> <li>• MT 9964:</li> <li>• MT 3379, 4083, 5897, 6137, 6234, 6303, 7174, 7346, 7582, 7627, 7630, and 7638_SB</li> </ul>	03T2153	1
Czech <ul style="list-style-type: none"> <li>• MT 4088:</li> <li>• MT 4099:</li> <li>• MT 4138:</li> <li>• MT 6258:</li> <li>• MT 7220:</li> <li>• MT 7354:</li> <li>• MT 7357:</li> <li>• MT 7360:</li> <li>• MT 7483:</li> <li>• MT 8910:</li> <li>• MT 9964:</li> <li>• MT 3379, 4083, 5897, 6137, 6234, 6303, 7174, 7346, 7582, 7627, 7630, and 7638_SB</li> </ul>	03T2143	1

Windows Vista Business 32 SP2 with IE 9	FRU #	CRU
Polish <ul style="list-style-type: none"> <li>• MT 4088:</li> <li>• MT 4099:</li> <li>• MT 4138:</li> <li>• MT 6258:</li> <li>• MT 7220:</li> <li>• MT 7354:</li> <li>• MT 7357:</li> <li>• MT 7360:</li> <li>• MT 7483:</li> <li>• MT 8910:</li> <li>• MT 9964:</li> <li>• MT 3379, 4083, 5897, 6137, 6234, 6303, 7174, 7346, 7582, 7627, 7630, and 7638_SB</li> </ul>	03T2154	1
Russian <ul style="list-style-type: none"> <li>• MT 4088:</li> <li>• MT 4099:</li> <li>• MT 4138:</li> <li>• MT 6258:</li> <li>• MT 7220:</li> <li>• MT 7354:</li> <li>• MT 7357:</li> <li>• MT 7360:</li> <li>• MT 7483:</li> <li>• MT 8910:</li> <li>• MT 9964:</li> <li>• MT 3379, 4083, 5897, 6137, 6234, 6303, 7174, 7346, 7582, 7627, 7630, and 7638_SB</li> </ul>	03T2158	1
Turkish <ul style="list-style-type: none"> <li>• MT 4088:</li> <li>• MT 4099:</li> <li>• MT 4138:</li> <li>• MT 6258:</li> <li>• MT 7220:</li> <li>• MT 7354:</li> <li>• MT 7357:</li> <li>• MT 7360:</li> <li>• MT 7483:</li> <li>• MT 8910:</li> <li>• MT 9964:</li> <li>• MT 3379, 4083, 5897, 6137, 6234, 6303, 7174, 7346, 7582, 7627, 7630, and 7638_SB</li> </ul>	03T2163	1



Windows Vista Business 32 SP2 with IE 9	FRU #	CRU
Hungarian <ul style="list-style-type: none"> <li>• MT 4088:</li> <li>• MT 4099:</li> <li>• MT 4138:</li> <li>• MT 6258:</li> <li>• MT 7220:</li> <li>• MT 7354:</li> <li>• MT 7357:</li> <li>• MT 7360:</li> <li>• MT 7483:</li> <li>• MT 8910:</li> <li>• MT 9964:</li> <li>• MT 3379, 4083, 5897, 6137, 6234, 6303, 7174, 7346, 7582, 7627, 7630, and 7638_SB</li> </ul>	03T2149	1
Inida English <ul style="list-style-type: none"> <li>• MT 4088:</li> <li>• MT 4099:</li> <li>• MT 4138:</li> <li>• MT 6258:</li> <li>• MT 7220:</li> <li>• MT 7354:</li> <li>• MT 7357:</li> <li>• MT 7360:</li> <li>• MT 7483:</li> <li>• MT 8910:</li> <li>• MT 9964:</li> <li>• MT 3379, 4083, 5897, 6137, 6234, 6303, 7174, 7346, 7582, 7627, 7630, and 7638_SB</li> </ul>	03T2150	1
Greek <ul style="list-style-type: none"> <li>• MT 4088:</li> <li>• MT 4099:</li> <li>• MT 4138:</li> <li>• MT 6258:</li> <li>• MT 7220:</li> <li>• MT 7354:</li> <li>• MT 7357:</li> <li>• MT 7360:</li> <li>• MT 7483:</li> <li>• MT 8910:</li> <li>• MT 9964:</li> <li>• MT 3379, 4083, 5897, 6137, 6234, 6303, 7174, 7346, 7582, 7627, 7630, and 7638_SB</li> </ul>	03T2145	1

Windows Vista Business 32 SP2 with IE 9	FRU #	CRU
Portuguese <ul style="list-style-type: none"> <li>• MT 4088:</li> <li>• MT 4099:</li> <li>• MT 4138:</li> <li>• MT 6258:</li> <li>• MT 7220:</li> <li>• MT 7354:</li> <li>• MT 7357:</li> <li>• MT 7360:</li> <li>• MT 7483:</li> <li>• MT 8910:</li> <li>• MT 9964:</li> <li>• MT 3379, 4083, 5897, 6137, 6234, 6303, 7174, 7346, 7582, 7627, 7630, and 7638_SB</li> </ul>	03T2155	1
Simplified Chinese <ul style="list-style-type: none"> <li>• MT 4088:</li> <li>• MT 4099:</li> <li>• MT 4138:</li> <li>• MT 6258:</li> <li>• MT 7220:</li> <li>• MT 7354:</li> <li>• MT 7357:</li> <li>• MT 7360:</li> <li>• MT 7483:</li> <li>• MT 8910:</li> <li>• MT 9964:</li> <li>• MT 3379, 4083, 5897, 6137, 6234, 6303, 7174, 7346, 7582, 7627, 7630, and 7638_SB</li> </ul>	03T2141	1
Traditional Chinese <ul style="list-style-type: none"> <li>• MT 4088:</li> <li>• MT 4099:</li> <li>• MT 4138:</li> <li>• MT 6258:</li> <li>• MT 7220:</li> <li>• MT 7354:</li> <li>• MT 7357:</li> <li>• MT 7360:</li> <li>• MT 7483:</li> <li>• MT 8910:</li> <li>• MT 9964:</li> <li>• MT 3379, 4083, 5897, 6137, 6234, 6303, 7174, 7346, 7582, 7627, 7630, and 7638_SB</li> </ul>	03T2142	1

Windows Vista Business 32 SP2 with IE 9	FRU #	CRU
Hong Kong <ul style="list-style-type: none"> <li>• MT 4088:</li> <li>• MT 4099:</li> <li>• MT 4138:</li> <li>• MT 6258:</li> <li>• MT 7220:</li> <li>• MT 7354:</li> <li>• MT 7357:</li> <li>• MT 7360:</li> <li>• MT 7483:</li> <li>• MT 8910:</li> <li>• MT 9964:</li> <li>• MT 3379, 4083, 5897, 6137, 6234, 6303, 7174, 7346, 7582, 7627, 7630, and 7638_SB</li> </ul>	03T2148	1
Korean <ul style="list-style-type: none"> <li>• MT 4088:</li> <li>• MT 4099:</li> <li>• MT 4138:</li> <li>• MT 6258:</li> <li>• MT 7220:</li> <li>• MT 7354:</li> <li>• MT 7357:</li> <li>• MT 7360:</li> <li>• MT 7483:</li> <li>• MT 8910:</li> <li>• MT 9964:</li> <li>• MT 3379, 4083, 5897, 6137, 6234, 6303, 7174, 7346, 7582, 7627, 7630, and 7638_SB</li> </ul>	03T2152	1
Slovenian <ul style="list-style-type: none"> <li>• MT 4088:</li> <li>• MT 4099:</li> <li>• MT 4138:</li> <li>• MT 6258:</li> <li>• MT 7220:</li> <li>• MT 7354:</li> <li>• MT 7357:</li> <li>• MT 7360:</li> <li>• MT 7483:</li> <li>• MT 8910:</li> <li>• MT 9964:</li> <li>• MT 3379, 4083, 5897, 6137, 6234, 6303, 7174, 7346, 7582, 7627, 7630, and 7638_SB</li> </ul>	03T2160	1

Windows Vista Business 32 SP2 with IE 9	FRU #	CRU
Russian English <ul style="list-style-type: none"> <li>• MT 4088:</li> <li>• MT 4099:</li> <li>• MT 4138:</li> <li>• MT 6258:</li> <li>• MT 7220:</li> <li>• MT 7354:</li> <li>• MT 7357:</li> <li>• MT 7360:</li> <li>• MT 7483:</li> <li>• MT 8910:</li> <li>• MT 9964:</li> <li>• MT 3379, 4083, 5897, 6137, 6234, 6303, 7174, 7346, 7582, 7627, 7630, and 7638_SB</li> </ul>	03T2156	1
Romanian <ul style="list-style-type: none"> <li>• MT 4088:</li> <li>• MT 4099:</li> <li>• MT 4138:</li> <li>• MT 6258:</li> <li>• MT 7220:</li> <li>• MT 7354:</li> <li>• MT 7357:</li> <li>• MT 7360:</li> <li>• MT 7483:</li> <li>• MT 8910:</li> <li>• MT 9964:</li> <li>• MT 3379, 4083, 5897, 6137, 6234, 6303, 7174, 7346, 7582, 7627, 7630, and 7638_SB</li> </ul>	03T2157	1
Serbian-Latin <ul style="list-style-type: none"> <li>• MT 4088:</li> <li>• MT 4099:</li> <li>• MT 4138:</li> <li>• MT 6258:</li> <li>• MT 7220:</li> <li>• MT 7354:</li> <li>• MT 7357:</li> <li>• MT 7360:</li> <li>• MT 7483:</li> <li>• MT 8910:</li> <li>• MT 9964:</li> <li>• MT 3379, 4083, 5897, 6137, 6234, 6303, 7174, 7346, 7582, 7627, 7630, and 7638_SB</li> </ul>	03T2162	1

Windows Vista Business 32 SP2 with IE 9	FRU #	CRU
Slovakian <ul style="list-style-type: none"> <li>• MT 4088:</li> <li>• MT 4099:</li> <li>• MT 4138:</li> <li>• MT 6258:</li> <li>• MT 7220:</li> <li>• MT 7354:</li> <li>• MT 7357:</li> <li>• MT 7360:</li> <li>• MT 7483:</li> <li>• MT 8910:</li> <li>• MT 9964:</li> <li>• MT 3379, 4083, 5897, 6137, 6234, 6303, 7174, 7346, 7582, 7627, 7630, and 7638_SB</li> </ul>	03T2159	1
Arabic Localized <ul style="list-style-type: none"> <li>• MT 4088:</li> <li>• MT 4099:</li> <li>• MT 4138:</li> <li>• MT 6258:</li> <li>• MT 7220:</li> <li>• MT 7354:</li> <li>• MT 7357:</li> <li>• MT 7360:</li> <li>• MT 7483:</li> <li>• MT 8910:</li> <li>• MT 9964:</li> <li>• MT 3379, 4083, 5897, 6137, 6234, 6303, 7174, 7346, 7582, 7627, 7630, and 7638_SB</li> </ul>	03T2139	1
Hebrew <ul style="list-style-type: none"> <li>• MT 4088:</li> <li>• MT 4099:</li> <li>• MT 4138:</li> <li>• MT 6258:</li> <li>• MT 7220:</li> <li>• MT 7354:</li> <li>• MT 7357:</li> <li>• MT 7360:</li> <li>• MT 7483:</li> <li>• MT 8910:</li> <li>• MT 9964:</li> <li>• MT 3379, 4083, 5897, 6137, 6234, 6303, 7174, 7346, 7582, 7627, 7630, and 7638_SB</li> </ul>	03T2147	1

Windows Vista Business 32 SP2 with IE 9	FRU #	CRU
C&L1 Nordics (EN DK FI NO SV) <ul style="list-style-type: none"> <li>• MT 4088:</li> <li>• MT 4099:</li> <li>• MT 4138:</li> <li>• MT 6258:</li> <li>• MT 7220:</li> <li>• MT 7354:</li> <li>• MT 7357:</li> <li>• MT 7360:</li> <li>• MT 7483:</li> <li>• MT 8910:</li> <li>• MT 9964:</li> <li>• MT 3379, 4083, 5897, 6137, 6234, 6303, 7174, 7346, 7582, 7627, 7630, and 7638_SB</li> </ul>	03T2165	1
C&L2 Switzerland (EN FR GR IT) <ul style="list-style-type: none"> <li>• MT 4088:</li> <li>• MT 4099:</li> <li>• MT 4138:</li> <li>• MT 6258:</li> <li>• MT 7220:</li> <li>• MT 7354:</li> <li>• MT 7357:</li> <li>• MT 7360:</li> <li>• MT 7483:</li> <li>• MT 8910:</li> <li>• MT 9964:</li> <li>• MT 3379, 4083, 5897, 6137, 6234, 6303, 7174, 7346, 7582, 7627, 7630, and 7638_SB</li> </ul>	03T2167	1
C&L3 Bel Lux (EN FR GR NL) <ul style="list-style-type: none"> <li>• MT 4088:</li> <li>• MT 4099:</li> <li>• MT 4138:</li> <li>• MT 6258:</li> <li>• MT 7220:</li> <li>• MT 7354:</li> <li>• MT 7357:</li> <li>• MT 7360:</li> <li>• MT 7483:</li> <li>• MT 8910:</li> <li>• MT 9964:</li> <li>• MT 3379, 4083, 5897, 6137, 6234, 6303, 7174, 7346, 7582, 7627, 7630, and 7638_SB</li> </ul>	03T2166	1
Japanese <ul style="list-style-type: none"> <li>• MT 4088:</li> <li>• MT 4099:</li> </ul>	03T2169	1

Windows Vista Business 32 SP2 with IE 9	FRU #	CRU
<ul style="list-style-type: none"> <li>• MT 4138:</li> <li>• MT 6258:</li> <li>• MT 7220:</li> <li>• MT 7354:</li> <li>• MT 7357:</li> <li>• MT 7360:</li> <li>• MT 7483:</li> <li>• MT 8910:</li> <li>• MT 9964:</li> <li>• MT 3379, 4083, 5897, 6137, 6234, 6303, 7174, 7346, 7582, 7627, 7630, and 7638_SB</li> </ul>		

## Windows Vista Business 64 Recovery CD

**Note:** The Windows Vista recovery DVDs are available only for models with a valid Microsoft Windows Vista certificate of authenticity (COA) affixed to the system. Due to a Microsoft licensing limitation, if a model came with Windows Vista Business or Windows Vista Ultimate preinstalled from the factory, but has a Windows 7 COA affixed to the system, that model is eligible only for recovery DVDs that match the operating system specified on the COA.

Windows Vista Business 64	FRU #	CRU
Russian English <ul style="list-style-type: none"> <li>• MT 4088:</li> <li>• MT 4099:</li> <li>• MT 4138:</li> <li>• MT 6258:</li> <li>• MT 7220:</li> <li>• MT 7354:</li> <li>• MT 7357:</li> <li>• MT 7360:</li> <li>• MT 7483:</li> <li>• MT 8910:</li> <li>• MT 9964:</li> <li>• MT 3379, 4083, 5897, 6137, 6234, 6303, 7174, 7346, 7582, 7627, 7630, and 7638_SB</li> </ul>	53Y7250	1
Russian French <ul style="list-style-type: none"> <li>• MT 4088:</li> <li>• MT 4099:</li> <li>• MT 4138:</li> <li>• MT 6258:</li> <li>• MT 7220:</li> <li>• MT 7354:</li> <li>• MT 7357:</li> <li>• MT 7360:</li> <li>• MT 7483:</li> <li>• MT 8910:</li> </ul>	53Y7251	1

Windows Vista Business 64	FRU #	CRU
<ul style="list-style-type: none"> <li>• MT 9964:</li> <li>• MT 3379, 4083, 5897, 6137, 6234, 6303, 7174, 7346, 7582, 7627, 7630, and 7638_SB</li> </ul>		
<p>German</p> <ul style="list-style-type: none"> <li>• MT 4088:</li> <li>• MT 4099:</li> <li>• MT 4138:</li> <li>• MT 6258:</li> <li>• MT 7220:</li> <li>• MT 7354:</li> <li>• MT 7357:</li> <li>• MT 7360:</li> <li>• MT 7483:</li> <li>• MT 8910:</li> <li>• MT 9964:</li> <li>• MT 3379, 4083, 5897, 6137, 6234, 6303, 7174, 7346, 7582, 7627, 7630, and 7638_SB</li> </ul>	53Y7252	1
<p>Japanese</p> <ul style="list-style-type: none"> <li>• MT 4088:</li> <li>• MT 4099:</li> <li>• MT 4138:</li> <li>• MT 6258:</li> <li>• MT 7220:</li> <li>• MT 7354:</li> <li>• MT 7357:</li> <li>• MT 7360:</li> <li>• MT 7483:</li> <li>• MT 8910:</li> <li>• MT 9964:</li> <li>• MT 3379, 4083, 5897, 6137, 6234, 6303, 7174, 7346, 7582, 7627, 7630, and 7638_SB</li> </ul>	64Y6262	1
<p>Simplified Chinese</p> <ul style="list-style-type: none"> <li>• MT 4088:</li> <li>• MT 4099:</li> <li>• MT 4138:</li> <li>• MT 6258:</li> <li>• MT 7220:</li> <li>• MT 7354:</li> <li>• MT 7357:</li> <li>• MT 7360:</li> <li>• MT 7483:</li> <li>• MT 8910:</li> <li>• MT 9964:</li> <li>• MT 3379, 4083, 5897, 6137, 6234, 6303, 7174, 7346, 7582, 7627, 7630, and 7638_SB</li> </ul>	53Y7254	1



Windows Vista Business 64	FRU #	CRU
Brazil Portuguese <ul style="list-style-type: none"> <li>• MT 4088:</li> <li>• MT 4099:</li> <li>• MT 4138:</li> <li>• MT 6258:</li> <li>• MT 7220:</li> <li>• MT 7354:</li> <li>• MT 7357:</li> <li>• MT 7360:</li> <li>• MT 7483:</li> <li>• MT 8910:</li> <li>• MT 9964:</li> <li>• MT 3379, 4083, 5897, 6137, 6234, 6303, 7174, 7346, 7582, 7627, 7630, and 7638_SB</li> </ul>	71Y7954	1
Spanish <ul style="list-style-type: none"> <li>• MT 4088:</li> <li>• MT 4099:</li> <li>• MT 4138:</li> <li>• MT 6258:</li> <li>• MT 7220:</li> <li>• MT 7354:</li> <li>• MT 7357:</li> <li>• MT 7360:</li> <li>• MT 7483:</li> <li>• MT 8910:</li> <li>• MT 9964:</li> <li>• MT 3379, 4083, 5897, 6137, 6234, 6303, 7174, 7346, 7582, 7627, 7630, and 7638_SB</li> </ul>	71Y9870	1
India English <ul style="list-style-type: none"> <li>• MT 4088:</li> <li>• MT 4099:</li> <li>• MT 4138:</li> <li>• MT 6258:</li> <li>• MT 7220:</li> <li>• MT 7354:</li> <li>• MT 7357:</li> <li>• MT 7360:</li> <li>• MT 7483:</li> <li>• MT 8910:</li> <li>• MT 9964:</li> <li>• MT 3379, 4083, 5897, 6137, 6234, 6303, 7174, 7346, 7582, 7627, 7630, and 7638_SB</li> </ul>	71Y9962	1

## Windows Vista Ultimate 32 Recovery CD

**Note:** The Windows Vista recovery DVDs are available only for models with a valid Microsoft Windows Vista certificate of authenticity (COA) affixed to the system. Due to a Microsoft licensing limitation, if a model came with Windows Vista Business or Windows Vista Ultimate preinstalled from the factory, but has a Windows 7 COA affixed to the system, that model is eligible only for recovery DVDs that match the operating system specified on the COA.

Windows Vista Ultimate 32	FRU #	CRU
US English <ul style="list-style-type: none"> <li>• MT 4088:</li> <li>• MT 4099:</li> <li>• MT 4138:</li> <li>• MT 6258:</li> <li>• MT 7220:</li> <li>• MT 7354: CTO</li> <li>• MT 7357: CTO</li> <li>• MT 7360:</li> <li>• MT 7483:</li> <li>• MT 8910:</li> <li>• MT 9964:</li> <li>• MT 3379, 4083, 5897, 6137, 6234, 6303, 7174, 7346, 7582, 7627, 7630, and 7638_SB</li> </ul>	71Y9930	1
Japanese <ul style="list-style-type: none"> <li>• MT 4088:</li> <li>• MT 4099:</li> <li>• MT 4138:</li> <li>• MT 6258:</li> <li>• MT 7220:</li> <li>• MT 7354: CTO</li> <li>• MT 7357: CTO</li> <li>• MT 7360:</li> <li>• MT 7483:</li> <li>• MT 8910:</li> <li>• MT 9964:</li> <li>• MT 3379, 4083, 5897, 6137, 6234, 6303, 7174, 7346, 7582, 7627, 7630, and 7638_SB</li> </ul>	64Y6261	1
French <ul style="list-style-type: none"> <li>• MT 4088:</li> <li>• MT 4099:</li> <li>• MT 4138:</li> <li>• MT 6258:</li> <li>• MT 7220:</li> <li>• MT 7354: CTO</li> <li>• MT 7357: CTO</li> <li>• MT 7360:</li> <li>• MT 7483:</li> <li>• MT 8910:</li> </ul>	53Y7242	1

Windows Vista Ultimate 32	FRU #	CRU
<ul style="list-style-type: none"> <li>• MT 9964:</li> <li>• MT 3379, 4083, 5897, 6137, 6234, 6303, 7174, 7346, 7582, 7627, 7630, and 7638_SB</li> </ul>		
<p>German</p> <ul style="list-style-type: none"> <li>• MT 4088:</li> <li>• MT 4099:</li> <li>• MT 4138:</li> <li>• MT 6258:</li> <li>• MT 7220:</li> <li>• MT 7354: CTO</li> <li>• MT 7357: CTO</li> <li>• MT 7360:</li> <li>• MT 7483:</li> <li>• MT 8910:</li> <li>• MT 9964:</li> <li>• MT 3379, 4083, 5897, 6137, 6234, 6303, 7174, 7346, 7582, 7627, 7630, and 7638_SB</li> </ul>	53Y7243	1
<p>Spanish</p> <ul style="list-style-type: none"> <li>• MT 4088:</li> <li>• MT 4099:</li> <li>• MT 4138:</li> <li>• MT 6258:</li> <li>• MT 7220:</li> <li>• MT 7354: CTO</li> <li>• MT 7357: CTO</li> <li>• MT 7360:</li> <li>• MT 7483:</li> <li>• MT 8910:</li> <li>• MT 9964:</li> <li>• MT 3379, 4083, 5897, 6137, 6234, 6303, 7174, 7346, 7582, 7627, 7630, and 7638_SB</li> </ul>	53Y7244	1
<p>Italian</p> <ul style="list-style-type: none"> <li>• MT 4088:</li> <li>• MT 4099:</li> <li>• MT 4138:</li> <li>• MT 6258:</li> <li>• MT 7220:</li> <li>• MT 7354: CTO</li> <li>• MT 7357: CTO</li> <li>• MT 7360:</li> <li>• MT 7483:</li> <li>• MT 8910:</li> <li>• MT 9964:</li> <li>• MT 3379, 4083, 5897, 6137, 6234, 6303, 7174, 7346, 7582, 7627, 7630, and 7638_SB</li> </ul>	53Y9471	1

Windows Vista Ultimate 32	FRU #	CRU
Hong Kong <ul style="list-style-type: none"> <li>• MT 4088:</li> <li>• MT 4099:</li> <li>• MT 4138:</li> <li>• MT 6258:</li> <li>• MT 7220:</li> <li>• MT 7354: CTO</li> <li>• MT 7357: CTO</li> <li>• MT 7360:</li> <li>• MT 7483:</li> <li>• MT 8910:</li> <li>• MT 9964:</li> <li>• MT 3379, 4083, 5897, 6137, 6234, 6303, 7174, 7346, 7582, 7627, 7630, and 7638_SB</li> </ul>	53Y7247	1
Arabic Localized <ul style="list-style-type: none"> <li>• MT 4088:</li> <li>• MT 4099:</li> <li>• MT 4138:</li> <li>• MT 6258:</li> <li>• MT 7220:</li> <li>• MT 7354: CTO</li> <li>• MT 7357: CTO</li> <li>• MT 7360:</li> <li>• MT 7483:</li> <li>• MT 8910:</li> <li>• MT 9964:</li> <li>• MT 3379, 4083, 5897, 6137, 6234, 6303, 7174, 7346, 7582, 7627, 7630, and 7638_SB</li> </ul>	53Y7248	1
C&L1 Nordics (EN DK FI NO SV) <ul style="list-style-type: none"> <li>• MT 4088:</li> <li>• MT 4099:</li> <li>• MT 4138:</li> <li>• MT 6258:</li> <li>• MT 7220:</li> <li>• MT 7354: CTO</li> <li>• MT 7357: CTO</li> <li>• MT 7360:</li> <li>• MT 7483:</li> <li>• MT 8910:</li> <li>• MT 9964:</li> <li>• MT 3379, 4083, 5897, 6137, 6234, 6303, 7174, 7346, 7582, 7627, 7630, and 7638_SB</li> </ul>	53Y7249	1

## Windows Vista Starter 32 SP2 Recovery CD

**Note:** The Windows Vista recovery DVDs are available only for models with a valid Microsoft Windows Vista certificate of authenticity (COA) affixed to the system. Due to a Microsoft licensing limitation, if a model came with Windows Vista Business or Windows Vista Ultimate preinstalled from the factory, but has a Windows 7 COA affixed to the system, that model is eligible only for recovery DVDs that match the operating system specified on the COA.

Windows Vista Starter 32 SP2	FRU #	CRU
India English <ul style="list-style-type: none"> <li>• MT 4088:</li> <li>• MT 4099:</li> <li>• MT 4138:</li> <li>• MT 6258:</li> <li>• MT 7220:</li> <li>• MT 7354:</li> <li>• MT 7357:</li> <li>• MT 7360:</li> <li>• MT 7483:</li> <li>• MT 8910:</li> <li>• MT 9964:</li> <li>• MT 3379, 4083, 5897, 6137, 6234, 6303, 7174, 7346, 7582, 7627, 7630, and 7638._SB</li> </ul>	03T2168	1

## Windows 7 Home Basic 32 Recovery CD

Windows 7 Home Basic 32	FRU #	CRU
English <ul style="list-style-type: none"> <li>• MT 4088:</li> <li>• MT 4099:</li> <li>• MT 4138:</li> <li>• MT 6258:</li> <li>• MT 7220:</li> <li>• MT 7354:</li> <li>• MT 7357:</li> <li>• MT 7360:</li> <li>• MT 7483:</li> <li>• MT 8910:</li> <li>• MT 9964:</li> <li>• MT 3379, 4083, 5897, 6137, 6234, 6303, 7174, 7346, 7582, 7627, 7630, and 7638._SB</li> </ul>	71Y8340	1
Spanish <ul style="list-style-type: none"> <li>• MT 4088:</li> <li>• MT 4099:</li> <li>• MT 4138:</li> <li>• MT 6258:</li> <li>• MT 7220:</li> </ul>	71Y8337	1

Windows 7 Home Basic 32	FRU #	CRU
<ul style="list-style-type: none"> <li>• MT 7354:</li> <li>• MT 7357:</li> <li>• MT 7360:</li> <li>• MT 7483:</li> <li>• MT 8910:</li> <li>• MT 9964:</li> <li>• MT 3379, 4083, 5897, 6137, 6234, 6303, 7174, 7346, 7582, 7627, 7630, and 7638._SB</li> </ul>		
<p>Russian</p> <ul style="list-style-type: none"> <li>• MT 4088:</li> <li>• MT 4099:</li> <li>• MT 4138:</li> <li>• MT 6258:</li> <li>• MT 7220:</li> <li>• MT 7354:</li> <li>• MT 7357:</li> <li>• MT 7360:</li> <li>• MT 7483:</li> <li>• MT 8910:</li> <li>• MT 9964:</li> <li>• MT 3379, 4083, 5897, 6137, 6234, 6303, 7174, 7346, 7582, 7627, 7630, and 7638._SB</li> </ul>	71Y8336	1
<p>Turkish</p> <ul style="list-style-type: none"> <li>• MT 4088:</li> <li>• MT 4099:</li> <li>• MT 4138:</li> <li>• MT 6258:</li> <li>• MT 7220:</li> <li>• MT 7354:</li> <li>• MT 7357:</li> <li>• MT 7360:</li> <li>• MT 7483:</li> <li>• MT 8910:</li> <li>• MT 9964:</li> <li>• MT 3379, 4083, 5897, 6137, 6234, 6303, 7174, 7346, 7582, 7627, 7630, and 7638._SB</li> </ul>	71Y8339	1

Windows 7 Home Basic 32	FRU #	CRU
Russian English <ul style="list-style-type: none"> <li>• MT 4088:</li> <li>• MT 4099:</li> <li>• MT 4138:</li> <li>• MT 6258:</li> <li>• MT 7220:</li> <li>• MT 7354:</li> <li>• MT 7357:</li> <li>• MT 7360:</li> <li>• MT 7483:</li> <li>• MT 8910:</li> <li>• MT 9964:</li> <li>• MT 3379, 4083, 5897, 6137, 6234, 6303, 7174, 7346, 7582, 7627, 7630, and 7638._SB</li> </ul>	71Y8335	1
Sebian -Latin <ul style="list-style-type: none"> <li>• MT 4088:</li> <li>• MT 4099:</li> <li>• MT 4138:</li> <li>• MT 6258:</li> <li>• MT 7220:</li> <li>• MT 7354:</li> <li>• MT 7357:</li> <li>• MT 7360:</li> <li>• MT 7483:</li> <li>• MT 8910:</li> <li>• MT 9964:</li> <li>• MT 3379, 4083, 5897, 6137, 6234, 6303, 7174, 7346, 7582, 7627, 7630, and 7638._SB</li> </ul>	71Y8338	1
Arabic Localized <ul style="list-style-type: none"> <li>• MT 4088:</li> <li>• MT 4099:</li> <li>• MT 4138:</li> <li>• MT 6258:</li> <li>• MT 7220:</li> <li>• MT 7354:</li> <li>• MT 7357:</li> <li>• MT 7360:</li> <li>• MT 7483:</li> <li>• MT 8910:</li> <li>• MT 9964:</li> <li>• MT 3379, 4083, 5897, 6137, 6234, 6303, 7174, 7346, 7582, 7627, 7630, and 7638._SB</li> </ul>	71Y8332	1

Windows 7 Home Basic 32	FRU #	CRU
Brazilian Portuguese <ul style="list-style-type: none"> <li>• MT 4088:</li> <li>• MT 4099:</li> <li>• MT 4138:</li> <li>• MT 6258:</li> <li>• MT 7220:</li> <li>• MT 7354:</li> <li>• MT 7357:</li> <li>• MT 7360:</li> <li>• MT 7483:</li> <li>• MT 8910:</li> <li>• MT 9964:</li> <li>• MT 3379, 4083, 5897, 6137, 6234, 6303, 7174, 7346, 7582, 7627, 7630, and 7638._SB</li> </ul>	71Y8333	1
Simplified Chinese <ul style="list-style-type: none"> <li>• MT 4088:</li> <li>• MT 4099:</li> <li>• MT 4138:</li> <li>• MT 6258:</li> <li>• MT 7220:</li> <li>• MT 7354:</li> <li>• MT 7357:</li> <li>• MT 7360:</li> <li>• MT 7483:</li> <li>• MT 8910:</li> <li>• MT 9964:</li> <li>• MT 3379, 4083, 5897, 6137, 6234, 6303, 7174, 7346, 7582, 7627, 7630, and 7638._SB</li> </ul>	71Y8334	1
India English <ul style="list-style-type: none"> <li>• MT 4088:</li> <li>• MT 4099:</li> <li>• MT 4138:</li> <li>• MT 6258:</li> <li>• MT 7220:</li> <li>• MT 7354:</li> <li>• MT 7357:</li> <li>• MT 7360:</li> <li>• MT 7483:</li> <li>• MT 8910:</li> <li>• MT 9964:</li> <li>• MT 3379, 4083, 5897, 6137, 6234, 6303, 7174, 7346, 7582, 7627, 7630, and 7638._SB</li> </ul>	71Y8650	1



## Windows 7 Home Basic 32 SP1 Recovery CD

Windows 7 Home Basic 32 SP1	FRU #	CRU
English <ul style="list-style-type: none"> <li>• MT 4088:</li> <li>• MT 4099:</li> <li>• MT 4138:</li> <li>• MT 6258:</li> <li>• MT 7220:</li> <li>• MT 7354:</li> <li>• MT 7357:</li> <li>• MT 7360:</li> <li>• MT 7483:</li> <li>• MT 8910:</li> <li>• MT 9964:</li> <li>• MT 3379, 4083, 5897, 6137, 6234, 6303, 7174, 7346, 7582, 7627, 7630, and 7638_SB</li> </ul>	03T1805	1
Spanish <ul style="list-style-type: none"> <li>• MT 4088:</li> <li>• MT 4099:</li> <li>• MT 4138:</li> <li>• MT 6258:</li> <li>• MT 7220:</li> <li>• MT 7354:</li> <li>• MT 7357:</li> <li>• MT 7360:</li> <li>• MT 7483:</li> <li>• MT 8910:</li> <li>• MT 9964:</li> <li>• MT 3379, 4083, 5897, 6137, 6234, 6303, 7174, 7346, 7582, 7627, 7630, and 7638_SB</li> </ul>	03T1802	1
Russian <ul style="list-style-type: none"> <li>• MT 4088:</li> <li>• MT 4099:</li> <li>• MT 4138:</li> <li>• MT 6258:</li> <li>• MT 7220:</li> <li>• MT 7354:</li> <li>• MT 7357:</li> <li>• MT 7360:</li> <li>• MT 7483:</li> <li>• MT 8910:</li> <li>• MT 9964:</li> <li>• MT 3379, 4083, 5897, 6137, 6234, 6303, 7174, 7346, 7582, 7627, 7630, and 7638_SB</li> </ul>	03T1801	1

Windows 7 Home Basic 32 SP1	FRU #	CRU
Turkish <ul style="list-style-type: none"> <li>• MT 4088:</li> <li>• MT 4099:</li> <li>• MT 4138:</li> <li>• MT 6258:</li> <li>• MT 7220:</li> <li>• MT 7354:</li> <li>• MT 7357:</li> <li>• MT 7360:</li> <li>• MT 7483:</li> <li>• MT 8910:</li> <li>• MT 9964:</li> <li>• MT 3379, 4083, 5897, 6137, 6234, 6303, 7174, 7346, 7582, 7627, 7630, and 7638_SB</li> </ul>	03T1804	1
Russian English <ul style="list-style-type: none"> <li>• MT 4088:</li> <li>• MT 4099:</li> <li>• MT 4138:</li> <li>• MT 6258:</li> <li>• MT 7220:</li> <li>• MT 7354:</li> <li>• MT 7357:</li> <li>• MT 7360:</li> <li>• MT 7483:</li> <li>• MT 8910:</li> <li>• MT 9964:</li> <li>• MT 3379, 4083, 5897, 6137, 6234, 6303, 7174, 7346, 7582, 7627, 7630, and 7638_SB</li> </ul>	03T1800	1
Sebian-Latin <ul style="list-style-type: none"> <li>• MT 4088:</li> <li>• MT 4099:</li> <li>• MT 4138:</li> <li>• MT 6258:</li> <li>• MT 7220:</li> <li>• MT 7354:</li> <li>• MT 7357:</li> <li>• MT 7360:</li> <li>• MT 7483:</li> <li>• MT 8910:</li> <li>• MT 9964:</li> <li>• MT 3379, 4083, 5897, 6137, 6234, 6303, 7174, 7346, 7582, 7627, 7630, and 7638_SB</li> </ul>	03T1803	1

Windows 7 Home Basic 32 SP1	FRU #	CRU
Arabic Localized <ul style="list-style-type: none"> <li>• MT 4088:</li> <li>• MT 4099:</li> <li>• MT 4138:</li> <li>• MT 6258:</li> <li>• MT 7220:</li> <li>• MT 7354:</li> <li>• MT 7357:</li> <li>• MT 7360:</li> <li>• MT 7483:</li> <li>• MT 8910:</li> <li>• MT 9964:</li> <li>• MT 3379, 4083, 5897, 6137, 6234, 6303, 7174, 7346, 7582, 7627, 7630, and 7638_SB</li> </ul>	03T1796	1
Brazilian Portuguese <ul style="list-style-type: none"> <li>• MT 4088:</li> <li>• MT 4099:</li> <li>• MT 4138:</li> <li>• MT 6258:</li> <li>• MT 7220:</li> <li>• MT 7354:</li> <li>• MT 7357:</li> <li>• MT 7360:</li> <li>• MT 7483:</li> <li>• MT 8910:</li> <li>• MT 9964:</li> <li>• MT 3379, 4083, 5897, 6137, 6234, 6303, 7174, 7346, 7582, 7627, 7630, and 7638_SB</li> </ul>	03T1797	1
Simplified Chinese <ul style="list-style-type: none"> <li>• MT 4088:</li> <li>• MT 4099:</li> <li>• MT 4138:</li> <li>• MT 6258:</li> <li>• MT 7220:</li> <li>• MT 7354:</li> <li>• MT 7357:</li> <li>• MT 7360:</li> <li>• MT 7483:</li> <li>• MT 8910:</li> <li>• MT 9964:</li> <li>• MT 3379, 4083, 5897, 6137, 6234, 6303, 7174, 7346, 7582, 7627, 7630, and 7638_SB</li> </ul>	03T1798	1
India English <ul style="list-style-type: none"> <li>• MT 4088:</li> <li>• MT 4099:</li> </ul>	03T1799	1

Windows 7 Home Basic 32 SP1	FRU #	CRU
<ul style="list-style-type: none"> <li>• MT 4138:</li> <li>• MT 6258:</li> <li>• MT 7220:</li> <li>• MT 7354:</li> <li>• MT 7357:</li> <li>• MT 7360:</li> <li>• MT 7483:</li> <li>• MT 8910:</li> <li>• MT 9964:</li> <li>• MT 3379, 4083, 5897, 6137, 6234, 6303, 7174, 7346, 7582, 7627, 7630, and 7638_SB</li> </ul>		

### Windows 7 Home Premium 32 Recovery CD

Windows 7 Home Premium 32	FRU #	CRU
English <ul style="list-style-type: none"> <li>• MT 4088:</li> <li>• MT 4099:</li> <li>• MT 4138:</li> <li>• MT 6258:</li> <li>• MT 7220:</li> <li>• MT 7354:</li> <li>• MT 7357:</li> <li>• MT 7360:</li> <li>• MT 7483:</li> <li>• MT 8910:</li> <li>• MT 9964:</li> <li>• MT 3379, 4083, 5897, 6137, 6234, 6303, 7174, 7346, 7582, 7627, 7630, and 7638._SB</li> </ul>	71Y8353	1
French <ul style="list-style-type: none"> <li>• MT 4088:</li> <li>• MT 4099:</li> <li>• MT 4138:</li> <li>• MT 6258:</li> <li>• MT 7220:</li> <li>• MT 7354:</li> <li>• MT 7357:</li> <li>• MT 7360:</li> <li>• MT 7483:</li> <li>• MT 8910:</li> <li>• MT 9964:</li> <li>• MT 3379, 4083, 5897, 6137, 6234, 6303, 7174, 7346, 7582, 7627, 7630, and 7638._SB</li> </ul>	71Y8344	1

Windows 7 Home Premium 32	FRU #	CRU
German <ul style="list-style-type: none"> <li>• MT 4088:</li> <li>• MT 4099:</li> <li>• MT 4138:</li> <li>• MT 6258:</li> <li>• MT 7220:</li> <li>• MT 7354:</li> <li>• MT 7357:</li> <li>• MT 7360:</li> <li>• MT 7483:</li> <li>• MT 8910:</li> <li>• MT 9964:</li> <li>• MT 3379, 4083, 5897, 6137, 6234, 6303, 7174, 7346, 7582, 7627, 7630, and 7638._SB</li> </ul>	71Y8345	1
Spanish <ul style="list-style-type: none"> <li>• MT 4088:</li> <li>• MT 4099:</li> <li>• MT 4138:</li> <li>• MT 6258:</li> <li>• MT 7220:</li> <li>• MT 7354:</li> <li>• MT 7357:</li> <li>• MT 7360:</li> <li>• MT 7483:</li> <li>• MT 8910:</li> <li>• MT 9964:</li> <li>• MT 3379, 4083, 5897, 6137, 6234, 6303, 7174, 7346, 7582, 7627, 7630, and 7638._SB</li> </ul>	71Y8352	1
Italian <ul style="list-style-type: none"> <li>• MT 4088:</li> <li>• MT 4099:</li> <li>• MT 4138:</li> <li>• MT 6258:</li> <li>• MT 7220:</li> <li>• MT 7354:</li> <li>• MT 7357:</li> <li>• MT 7360:</li> <li>• MT 7483:</li> <li>• MT 8910:</li> <li>• MT 9964:</li> <li>• MT 3379, 4083, 5897, 6137, 6234, 6303, 7174, 7346, 7582, 7627, 7630, and 7638._SB</li> </ul>	71Y8348	1

Windows 7 Home Premium 32	FRU #	CRU
Korean <ul style="list-style-type: none"> <li>• MT 4088:</li> <li>• MT 4099:</li> <li>• MT 4138:</li> <li>• MT 6258:</li> <li>• MT 7220:</li> <li>• MT 7354:</li> <li>• MT 7357:</li> <li>• MT 7360:</li> <li>• MT 7483:</li> <li>• MT 8910:</li> <li>• MT 9964:</li> <li>• MT 3379, 4083, 5897, 6137, 6234, 6303, 7174, 7346, 7582, 7627, 7630, and 7638._SB</li> </ul>	71Y8350	1
Hong Kong <ul style="list-style-type: none"> <li>• MT 4088:</li> <li>• MT 4099:</li> <li>• MT 4138:</li> <li>• MT 6258:</li> <li>• MT 7220:</li> <li>• MT 7354:</li> <li>• MT 7357:</li> <li>• MT 7360:</li> <li>• MT 7483:</li> <li>• MT 8910:</li> <li>• MT 9964:</li> <li>• MT 3379, 4083, 5897, 6137, 6234, 6303, 7174, 7346, 7582, 7627, 7630, and 7638._SB</li> </ul>	71Y8347	1
Romanian <ul style="list-style-type: none"> <li>• MT 4088:</li> <li>• MT 4099:</li> <li>• MT 4138:</li> <li>• MT 6258:</li> <li>• MT 7220:</li> <li>• MT 7354:</li> <li>• MT 7357:</li> <li>• MT 7360:</li> <li>• MT 7483:</li> <li>• MT 8910:</li> <li>• MT 9964:</li> <li>• MT 3379, 4083, 5897, 6137, 6234, 6303, 7174, 7346, 7582, 7627, 7630, and 7638._SB</li> </ul>	71Y8351	1

Windows 7 Home Premium 32	FRU #	CRU
Japan <ul style="list-style-type: none"> <li>• MT 4088:</li> <li>• MT 4099:</li> <li>• MT 4138:</li> <li>• MT 6258:</li> <li>• MT 7220:</li> <li>• MT 7354:</li> <li>• MT 7357:</li> <li>• MT 7360:</li> <li>• MT 7483:</li> <li>• MT 8910:</li> <li>• MT 9964:</li> <li>• MT 3379, 4083, 5897, 6137, 6234, 6303, 7174, 7346, 7582, 7627, 7630, and 7638._SB</li> </ul>	71Y8349	1
Hebrew <ul style="list-style-type: none"> <li>• MT 4088:</li> <li>• MT 4099:</li> <li>• MT 4138:</li> <li>• MT 6258:</li> <li>• MT 7220:</li> <li>• MT 7354:</li> <li>• MT 7357:</li> <li>• MT 7360:</li> <li>• MT 7483:</li> <li>• MT 8910:</li> <li>• MT 9964:</li> <li>• MT 3379, 4083, 5897, 6137, 6234, 6303, 7174, 7346, 7582, 7627, 7630, and 7638._SB</li> </ul>	71Y8346	1
Brazilian Portuguese <ul style="list-style-type: none"> <li>• MT 4088:</li> <li>• MT 4099:</li> <li>• MT 4138:</li> <li>• MT 6258:</li> <li>• MT 7220:</li> <li>• MT 7354:</li> <li>• MT 7357:</li> <li>• MT 7360:</li> <li>• MT 7483:</li> <li>• MT 8910:</li> <li>• MT 9964:</li> <li>• MT 3379, 4083, 5897, 6137, 6234, 6303, 7174, 7346, 7582, 7627, 7630, and 7638._SB</li> </ul>	71Y8341	1

Windows 7 Home Premium 32	FRU #	CRU
Simplified Chinese <ul style="list-style-type: none"> <li>• MT 4088:</li> <li>• MT 4099:</li> <li>• MT 4138:</li> <li>• MT 6258:</li> <li>• MT 7220:</li> <li>• MT 7354:</li> <li>• MT 7357:</li> <li>• MT 7360:</li> <li>• MT 7483:</li> <li>• MT 8910:</li> <li>• MT 9964:</li> <li>• MT 3379, 4083, 5897, 6137, 6234, 6303, 7174, 7346, 7582, 7627, 7630, and 7638._SB</li> </ul>	71Y8342	1
Traditional Chinese <ul style="list-style-type: none"> <li>• MT 4088:</li> <li>• MT 4099:</li> <li>• MT 4138:</li> <li>• MT 6258:</li> <li>• MT 7220:</li> <li>• MT 7354:</li> <li>• MT 7357:</li> <li>• MT 7360:</li> <li>• MT 7483:</li> <li>• MT 8910:</li> <li>• MT 9964:</li> <li>• MT 3379, 4083, 5897, 6137, 6234, 6303, 7174, 7346, 7582, 7627, 7630, and 7638._SB</li> </ul>	71Y8343	1
C&L Bel Lux (EN FR GR NL) <ul style="list-style-type: none"> <li>• MT 4088:</li> <li>• MT 4099:</li> <li>• MT 4138:</li> <li>• MT 6258:</li> <li>• MT 7220:</li> <li>• MT 7354:</li> <li>• MT 7357:</li> <li>• MT 7360:</li> <li>• MT 7483:</li> <li>• MT 8910:</li> <li>• MT 9964:</li> <li>• MT 3379, 4083, 5897, 6137, 6234, 6303, 7174, 7346, 7582, 7627, 7630, and 7638._SB</li> </ul>	71Y8354	1



Windows 7 Home Premium 32	FRU #	CRU
C&L Nordics (EN DK FI NO SV) <ul style="list-style-type: none"> <li>• MT 4088:</li> <li>• MT 4099:</li> <li>• MT 4138:</li> <li>• MT 6258:</li> <li>• MT 7220:</li> <li>• MT 7354:</li> <li>• MT 7357:</li> <li>• MT 7360:</li> <li>• MT 7483:</li> <li>• MT 8910:</li> <li>• MT 9964:</li> <li>• MT 3379, 4083, 5897, 6137, 6234, 6303, 7174, 7346, 7582, 7627, 7630, and 7638._SB</li> </ul>	71Y8355	1
C&L Switzerland (EN FR GR IT) <ul style="list-style-type: none"> <li>• MT 4088:</li> <li>• MT 4099:</li> <li>• MT 4138:</li> <li>• MT 6258:</li> <li>• MT 7220:</li> <li>• MT 7354:</li> <li>• MT 7357:</li> <li>• MT 7360:</li> <li>• MT 7483:</li> <li>• MT 8910:</li> <li>• MT 9964:</li> <li>• MT 3379, 4083, 5897, 6137, 6234, 6303, 7174, 7346, 7582, 7627, 7630, and 7638._SB</li> </ul>	71Y8356	1
India English <ul style="list-style-type: none"> <li>• MT 4088:</li> <li>• MT 4099:</li> <li>• MT 4138:</li> <li>• MT 6258:</li> <li>• MT 7220:</li> <li>• MT 7354:</li> <li>• MT 7357:</li> <li>• MT 7360:</li> <li>• MT 7483:</li> <li>• MT 8910:</li> <li>• MT 9964:</li> <li>• MT 3379, 4083, 5897, 6137, 6234, 6303, 7174, 7346, 7582, 7627, 7630, and 7638._SB</li> </ul>	71Y8651	1

## Windows 7 Home Premium 32 SP1 Recovery CD

Windows 7 Home Premium 32 SP1	FRU #	CRU
English <ul style="list-style-type: none"> <li>• MT 4088:</li> <li>• MT 4099:</li> <li>• MT 4138:</li> <li>• MT 6258:</li> <li>• MT 7220:</li> <li>• MT 7354:</li> <li>• MT 7357:</li> <li>• MT 7360:</li> <li>• MT 7483:</li> <li>• MT 8910:</li> <li>• MT 9964:</li> <li>• MT 3379, 4083, 5897, 6137, 6234, 6303, 7174, 7346, 7582, 7627, 7630, and 7638_SB</li> </ul>	03T1819	1
French <ul style="list-style-type: none"> <li>• MT 4088:</li> <li>• MT 4099:</li> <li>• MT 4138:</li> <li>• MT 6258:</li> <li>• MT 7220:</li> <li>• MT 7354:</li> <li>• MT 7357:</li> <li>• MT 7360:</li> <li>• MT 7483:</li> <li>• MT 8910:</li> <li>• MT 9964:</li> <li>• MT 3379, 4083, 5897, 6137, 6234, 6303, 7174, 7346, 7582, 7627, 7630, and 7638_SB</li> </ul>	03T1810	1
German <ul style="list-style-type: none"> <li>• MT 4088:</li> <li>• MT 4099:</li> <li>• MT 4138:</li> <li>• MT 6258:</li> <li>• MT 7220:</li> <li>• MT 7354:</li> <li>• MT 7357:</li> <li>• MT 7360:</li> <li>• MT 7483:</li> <li>• MT 8910:</li> <li>• MT 9964:</li> <li>• MT 3379, 4083, 5897, 6137, 6234, 6303, 7174, 7346, 7582, 7627, 7630, and 7638_SB</li> </ul>	03T1811	1

Windows 7 Home Premium 32 SP1	FRU #	CRU
Spanish <ul style="list-style-type: none"> <li>• MT 4088:</li> <li>• MT 4099:</li> <li>• MT 4138:</li> <li>• MT 6258:</li> <li>• MT 7220:</li> <li>• MT 7354:</li> <li>• MT 7357:</li> <li>• MT 7360:</li> <li>• MT 7483:</li> <li>• MT 8910:</li> <li>• MT 9964:</li> <li>• MT 3379, 4083, 5897, 6137, 6234, 6303, 7174, 7346, 7582, 7627, 7630, and 7638_SB</li> </ul>	03T1818	1
Italian <ul style="list-style-type: none"> <li>• MT 4088:</li> <li>• MT 4099:</li> <li>• MT 4138:</li> <li>• MT 6258:</li> <li>• MT 7220:</li> <li>• MT 7354:</li> <li>• MT 7357:</li> <li>• MT 7360:</li> <li>• MT 7483:</li> <li>• MT 8910:</li> <li>• MT 9964:</li> <li>• MT 3379, 4083, 5897, 6137, 6234, 6303, 7174, 7346, 7582, 7627, 7630, and 7638_SB</li> </ul>	03T1814	1
Korean <ul style="list-style-type: none"> <li>• MT 4088:</li> <li>• MT 4099:</li> <li>• MT 4138:</li> <li>• MT 6258:</li> <li>• MT 7220:</li> <li>• MT 7354:</li> <li>• MT 7357:</li> <li>• MT 7360:</li> <li>• MT 7483:</li> <li>• MT 8910:</li> <li>• MT 9964:</li> <li>• MT 3379, 4083, 5897, 6137, 6234, 6303, 7174, 7346, 7582, 7627, 7630, and 7638_SB</li> </ul>	03T1816	1

Windows 7 Home Premium 32 SP1	FRU #	CRU
Hong Kong <ul style="list-style-type: none"> <li>• MT 4088:</li> <li>• MT 4099:</li> <li>• MT 4138:</li> <li>• MT 6258:</li> <li>• MT 7220:</li> <li>• MT 7354:</li> <li>• MT 7357:</li> <li>• MT 7360:</li> <li>• MT 7483:</li> <li>• MT 8910:</li> <li>• MT 9964:</li> <li>• MT 3379, 4083, 5897, 6137, 6234, 6303, 7174, 7346, 7582, 7627, 7630, and 7638_SB</li> </ul>	03T1813	1
Romanian <ul style="list-style-type: none"> <li>• MT 4088:</li> <li>• MT 4099:</li> <li>• MT 4138:</li> <li>• MT 6258:</li> <li>• MT 7220:</li> <li>• MT 7354:</li> <li>• MT 7357:</li> <li>• MT 7360:</li> <li>• MT 7483:</li> <li>• MT 8910:</li> <li>• MT 9964:</li> <li>• MT 3379, 4083, 5897, 6137, 6234, 6303, 7174, 7346, 7582, 7627, 7630, and 7638_SB</li> </ul>	03T1817	1
Hebrew <ul style="list-style-type: none"> <li>• MT 4088:</li> <li>• MT 4099:</li> <li>• MT 4138:</li> <li>• MT 6258:</li> <li>• MT 7220:</li> <li>• MT 7354:</li> <li>• MT 7357:</li> <li>• MT 7360:</li> <li>• MT 7483:</li> <li>• MT 8910:</li> <li>• MT 9964:</li> <li>• MT 3379, 4083, 5897, 6137, 6234, 6303, 7174, 7346, 7582, 7627, 7630, and 7638_SB</li> </ul>	03T1812	1

Windows 7 Home Premium 32 SP1	FRU #	CRU
Brazilian Portuguese <ul style="list-style-type: none"> <li>• MT 4088:</li> <li>• MT 4099:</li> <li>• MT 4138:</li> <li>• MT 6258:</li> <li>• MT 7220:</li> <li>• MT 7354:</li> <li>• MT 7357:</li> <li>• MT 7360:</li> <li>• MT 7483:</li> <li>• MT 8910:</li> <li>• MT 9964:</li> <li>• MT 3379, 4083, 5897, 6137, 6234, 6303, 7174, 7346, 7582, 7627, 7630, and 7638_SB</li> </ul>	03T1806	1
Simplified Chinese <ul style="list-style-type: none"> <li>• MT 4088:</li> <li>• MT 4099:</li> <li>• MT 4138:</li> <li>• MT 6258:</li> <li>• MT 7220:</li> <li>• MT 7354:</li> <li>• MT 7357:</li> <li>• MT 7360:</li> <li>• MT 7483:</li> <li>• MT 8910:</li> <li>• MT 9964:</li> <li>• MT 3379, 4083, 5897, 6137, 6234, 6303, 7174, 7346, 7582, 7627, 7630, and 7638_SB</li> </ul>	03T1807	1
Traditional Chinese <ul style="list-style-type: none"> <li>• MT 4088:</li> <li>• MT 4099:</li> <li>• MT 4138:</li> <li>• MT 6258:</li> <li>• MT 7220:</li> <li>• MT 7354:</li> <li>• MT 7357:</li> <li>• MT 7360:</li> <li>• MT 7483:</li> <li>• MT 8910:</li> <li>• MT 9964:</li> <li>• MT 3379, 4083, 5897, 6137, 6234, 6303, 7174, 7346, 7582, 7627, 7630, and 7638_SB</li> </ul>	03T1808	1

Windows 7 Home Premium 32 SP1	FRU #	CRU
C&L Bel Lux (EN FR GR NL) <ul style="list-style-type: none"> <li>• MT 4088:</li> <li>• MT 4099:</li> <li>• MT 4138:</li> <li>• MT 6258:</li> <li>• MT 7220:</li> <li>• MT 7354:</li> <li>• MT 7357:</li> <li>• MT 7360:</li> <li>• MT 7483:</li> <li>• MT 8910:</li> <li>• MT 9964:</li> <li>• MT 3379, 4083, 5897, 6137, 6234, 6303, 7174, 7346, 7582, 7627, 7630, and 7638_SB</li> </ul>	03T1820	1
C&L Nordics (EN DK FI NO SV) <ul style="list-style-type: none"> <li>• MT 4088:</li> <li>• MT 4099:</li> <li>• MT 4138:</li> <li>• MT 6258:</li> <li>• MT 7220:</li> <li>• MT 7354:</li> <li>• MT 7357:</li> <li>• MT 7360:</li> <li>• MT 7483:</li> <li>• MT 8910:</li> <li>• MT 9964:</li> <li>• MT 3379, 4083, 5897, 6137, 6234, 6303, 7174, 7346, 7582, 7627, 7630, and 7638_SB</li> </ul>	03T1821	1
C&L1 Switzerland (EN FR GR IT) <ul style="list-style-type: none"> <li>• MT 4088:</li> <li>• MT 4099:</li> <li>• MT 4138:</li> <li>• MT 6258:</li> <li>• MT 7220:</li> <li>• MT 7354:</li> <li>• MT 7357:</li> <li>• MT 7360:</li> <li>• MT 7483:</li> <li>• MT 8910:</li> <li>• MT 9964:</li> <li>• MT 3379, 4083, 5897, 6137, 6234, 6303, 7174, 7346, 7582, 7627, 7630, and 7638_SB</li> </ul>	03T1822	1

Windows 7 Home Premium 32 SP1	FRU #	CRU
India English <ul style="list-style-type: none"> <li>• MT 4088:</li> <li>• MT 4099:</li> <li>• MT 4138:</li> <li>• MT 6258:</li> <li>• MT 7220:</li> <li>• MT 7354:</li> <li>• MT 7357:</li> <li>• MT 7360:</li> <li>• MT 7483:</li> <li>• MT 8910:</li> <li>• MT 9964:</li> <li>• MT 3379, 4083, 5897, 6137, 6234, 6303, 7174, 7346, 7582, 7627, 7630, and 7638_SB</li> </ul>	03T1809	1
Japanese <ul style="list-style-type: none"> <li>• MT 4088:</li> <li>• MT 4099:</li> <li>• MT 4138:</li> <li>• MT 6258:</li> <li>• MT 7220:</li> <li>• MT 7354:</li> <li>• MT 7357:</li> <li>• MT 7360:</li> <li>• MT 7483:</li> <li>• MT 8910:</li> <li>• MT 9964:</li> <li>• MT 3379, 4083, 5897, 6137, 6234, 6303, 7174, 7346, 7582, 7627, 7630, and 7638_SB</li> </ul>	03T1815	1

## Windows 7 Professional 32 Recovery CD

Windows 7 Professional 32	FRU #	CRU
US English <ul style="list-style-type: none"> <li>• MT 4088: A1G</li> <li>• MT 4099: A1G A2G A3G</li> <li>• MT 4138: A1G</li> <li>• MT 6258: BGA BBM BCM BDM BEM BFM AWU B1U AVU D2G D3G D6G D7U D7L D9U DBU DAU</li> <li>• MT 7220: APM AQM ARM ALM AMM ANM AVG AWG B1G ASG AUG AVU AVM AVA AVQ AVH AVR AVE B3U B5Q</li> <li>• MT 7354: A2G A3G</li> <li>• MT 7357: A4G A5G A2G A3G</li> <li>• MT 7360: E7A E8A EBA DFM DGM DHM DKM DLM DMM DNM DPM DPA DQM DRM DSM DUM DWM E3M E4M E5M ECU DBU EDU EFU EGU EHU ENA EPU EPF EPL EQU EQF EQL ERM ESM ETM EUU F1M F2M EVU F3M F4M</li> </ul>	71Y8328	1

Windows 7 Professional 32	FRU #	CRU
<ul style="list-style-type: none"> <li>• MT 7483: BKA B4M B5M B6M B7M B8M B9M BBM BCM BDM BEM BFM BGM BHM BJM BLQ BRU BUM BWU D1Q</li> <li>• MT 8910: ALU AMU AQU ARU ATU AUU B4U</li> <li>• MT 9964: A6G A7U A8U AAG ABU ACU</li> <li>• MT 3379, 4083, 5897, 6137, 6234, 6303, 7174, 7346, 7582, 7627, 7630, and 7638_SB</li> </ul>		
<p>French</p> <ul style="list-style-type: none"> <li>• MT 4088: A1G</li> <li>• MT 4099: A1G A2G A3G</li> <li>• MT 4138: A1G</li> <li>• MT 6258: AWF B1F AVF D2G D3G D6G D7F D9F DBF DAF</li> <li>• MT 7220: AVG AWG B1G ASG AUG AVF B3F</li> <li>• MT 7354: A2G A3G</li> <li>• MT 7357: A4G A5G A2G A3G</li> <li>• MT 7360: ECF DBF EDF EFF EGF EHF EUF EVF</li> <li>• MT 7483: BRF BWF</li> <li>• MT 8910: ALF AMF AQF ARF ATF AUF B4F</li> <li>• MT 9964: A6G A7F A8F AAG ABF ACF</li> <li>• MT 3379, 4083, 5897, 6137, 6234, 6303, 7174, 7346, 7582, 7627, 7630, and 7638_SB</li> </ul>	71Y8309	1
<p>Japanese</p> <ul style="list-style-type: none"> <li>• MT 4088:</li> <li>• MT 4099:</li> <li>• MT 4138:</li> <li>• MT 6258: B2J B3J B4J B5J B6J B7J B8J D8J E1J E2J</li> <li>• MT 7220: AVG AWG B1G ASG AUG</li> <li>• MT 7354:</li> <li>• MT 7357:</li> <li>• MT 7360:</li> <li>• MT 7483: BSJ BTJ</li> <li>• MT 8910:</li> <li>• MT 9964:</li> <li>• MT 3379, 4083, 5897, 6137, 6234, 6303, 7174, 7346, 7582, 7627, 7630, and 7638_SB</li> </ul>	71Y8316	1
<p>German</p> <ul style="list-style-type: none"> <li>• MT 4088: A1G</li> <li>• MT 4099: A1G A2G A3G</li> <li>• MT 4138: A1G</li> <li>• MT 6258: D2G D3G D6G</li> <li>• MT 7220: AHJ AJJ AKJ B2J AVJ C1J C2J</li> <li>• MT 7354: A2G A3G</li> <li>• MT 7357: A4G A5G A2G A3G</li> <li>• MT 7360:</li> <li>• MT 7483:</li> <li>• MT 8910:</li> </ul>	71Y8311	1



Windows 7 Professional 32	FRU #	CRU
<ul style="list-style-type: none"> <li>• MT 9964: A6G AAG</li> <li>• MT 3379, 4083, 5897, 6137, 6234, 6303, 7174, 7346, 7582, 7627, 7630, and 7638_SB</li> </ul>		
<p>Italian</p> <ul style="list-style-type: none"> <li>• MT 4088:</li> <li>• MT 4099:</li> <li>• MT 4138:</li> <li>• MT 6258: D2G D3G D6G</li> <li>• MT 7220: AVG AWG B1G ASG AUG</li> <li>• MT 7354:</li> <li>• MT 7357:</li> <li>• MT 7360:</li> <li>• MT 7483:</li> <li>• MT 8910:</li> <li>• MT 9964:</li> <li>• MT 3379, 4083, 5897, 6137, 6234, 6303, 7174, 7346, 7582, 7627, 7630, and 7638_SB</li> </ul>	71Y8315	1
<p>Czech</p> <ul style="list-style-type: none"> <li>• MT 4088:</li> <li>• MT 4099:</li> <li>• MT 4138:</li> <li>• MT 6258: D2G D3G D6G</li> <li>• MT 7220: AVG AWG B1G ASG AUG</li> <li>• MT 7354:</li> <li>• MT 7357:</li> <li>• MT 7360:</li> <li>• MT 7483:</li> <li>• MT 8910:</li> <li>• MT 9964:</li> <li>• MT 3379, 4083, 5897, 6137, 6234, 6303, 7174, 7346, 7582, 7627, 7630, and 7638_SB</li> </ul>	71Y8308	1
<p>Polish</p> <ul style="list-style-type: none"> <li>• MT 4088: A1G</li> <li>• MT 4099: A1G A2G A3G</li> <li>• MT 4138: A1G</li> <li>• MT 6258: D2G D3G D6G</li> <li>• MT 7220: AVG AWG B1G ASG AUG</li> <li>• MT 7354: A2G A3G</li> <li>• MT 7357: A4G A5G A2G A3G</li> <li>• MT 7360:</li> <li>• MT 7483:</li> <li>• MT 8910:</li> <li>• MT 9964: A6G AAG</li> <li>• MT 3379, 4083, 5897, 6137, 6234, 6303, 7174, 7346, 7582, 7627, 7630, and 7638_SB</li> </ul>	71Y8318	1

Windows 7 Professional 32	FRU #	CRU
<p>Turkish</p> <ul style="list-style-type: none"> <li>• MT 4088: A1G</li> <li>• MT 4099: A1G A2G A3G</li> <li>• MT 4138: A1G</li> <li>• MT 6258: D2G D3G D6G</li> <li>• MT 7220: AVG AWG B1G ASG AUG</li> <li>• MT 7354: A2G A3G</li> <li>• MT 7357: A4G A5G A2G A3G</li> <li>• MT 7360:</li> <li>• MT 7483:</li> <li>• MT 8910:</li> <li>• MT 9964: A6G AAG</li> <li>• MT 3379, 4083, 5897, 6137, 6234, 6303, 7174, 7346, 7582, 7627, 7630, and 7638_SB</li> </ul>	71Y8327	1
<p>Hungarian</p> <ul style="list-style-type: none"> <li>• MT 4088: A1G</li> <li>• MT 4099: A1G A2G A3G</li> <li>• MT 4138: A1G</li> <li>• MT 6258: D2G D3G D6G</li> <li>• MT 7220: AVG AWG B1G ASG AUG</li> <li>• MT 7354: A2G A3G</li> <li>• MT 7357: A4G A5G A2G A3G</li> <li>• MT 7360:</li> <li>• MT 7483:</li> <li>• MT 8910:</li> <li>• MT 9964: A6G AAG</li> <li>• MT 3379, 4083, 5897, 6137, 6234, 6303, 7174, 7346, 7582, 7627, 7630, and 7638_SB</li> </ul>	71Y8314	1
<p>Greek</p> <ul style="list-style-type: none"> <li>• MT 4088: A1G</li> <li>• MT 4099: A1G A2G A3G</li> <li>• MT 4138: A1G</li> <li>• MT 6258: D2G D3G D6G</li> <li>• MT 7220: AVG AWG B1G ASG AUG</li> <li>• MT 7354: A2G A3G</li> <li>• MT 7357: A4G A5G A2G A3G</li> <li>• MT 7360:</li> <li>• MT 7483:</li> <li>• MT 8910:</li> <li>• MT 9964: A6G AAG</li> <li>• MT 3379, 4083, 5897, 6137, 6234, 6303, 7174, 7346, 7582, 7627, 7630, and 7638_SB</li> </ul>	71Y8310	1

Windows 7 Professional 32	FRU #	CRU
Brazilian Portuguese <ul style="list-style-type: none"> <li>• MT 4088:</li> <li>• MT 4099:</li> <li>• MT 4138:</li> <li>• MT 6258:</li> <li>• MT 7220: AVG AWG B1G ASG AUG</li> <li>• MT 7354:</li> <li>• MT 7357:</li> <li>• MT 7360:</li> <li>• MT 7483:</li> <li>• MT 8910: ALP AMP</li> <li>• MT 9964: A7P A8P</li> <li>• MT 3379, 4083, 5897, 6137, 6234, 6303, 7174, 7346, 7582, 7627, 7630, and 7638_SB</li> </ul>	71Y8305	1
Korean <ul style="list-style-type: none"> <li>• MT 4088:</li> <li>• MT 4099:</li> <li>• MT 4138:</li> <li>• MT 6258:</li> <li>• MT 7220: AVK</li> <li>• MT 7354:</li> <li>• MT 7357:</li> <li>• MT 7360:</li> <li>• MT 7483:</li> <li>• MT 8910:</li> <li>• MT 9964:</li> <li>• MT 3379, 4083, 5897, 6137, 6234, 6303, 7174, 7346, 7582, 7627, 7630, and 7638_SB</li> </ul>	71Y8317	1
Slovenian <ul style="list-style-type: none"> <li>• MT 4088:</li> <li>• MT 4099:</li> <li>• MT 4138:</li> <li>• MT 6258: D2G D3G D6G</li> <li>• MT 7220: AVG AWG B1G ASG AUG</li> <li>• MT 7354:</li> <li>• MT 7357:</li> <li>• MT 7360:</li> <li>• MT 7483:</li> <li>• MT 8910:</li> <li>• MT 9964:</li> <li>• MT 3379, 4083, 5897, 6137, 6234, 6303, 7174, 7346, 7582, 7627, 7630, and 7638_SB</li> </ul>	71Y8324	1

Windows 7 Professional 32	FRU #	CRU
Russian English <ul style="list-style-type: none"> <li>• MT 4088: A1G</li> <li>• MT 4099: A1G A2G A3G</li> <li>• MT 4138: A1G</li> <li>• MT 6258: D2G D3G D6G</li> <li>• MT 7220: AVG AWG B1G ASG AUG</li> <li>• MT 7354: A2G A3G</li> <li>• MT 7357: A4G A5G A2G A3G</li> <li>• MT 7360:</li> <li>• MT 7483:</li> <li>• MT 8910:</li> <li>• MT 9964: A6G AAG</li> <li>• MT 3379, 4083, 5897, 6137, 6234, 6303, 7174, 7346, 7582, 7627, 7630, and 7638_SB</li> </ul>	71Y8322	1
Romanian <ul style="list-style-type: none"> <li>• MT 4088: A1G</li> <li>• MT 4099: A1G A2G A3G</li> <li>• MT 4138: A1G</li> <li>• MT 6258: D2G D3G D6G</li> <li>• MT 7220: AVG AWG B1G ASG AUG</li> <li>• MT 7354: A2G A3G</li> <li>• MT 7357: A4G A5G A2G A3G</li> <li>• MT 7360:</li> <li>• MT 7483:</li> <li>• MT 8910:</li> <li>• MT 9964: A6G AAG</li> <li>• MT 3379, 4083, 5897, 6137, 6234, 6303, 7174, 7346, 7582, 7627, 7630, and 7638_SB</li> </ul>	71Y8321	1
Serbian-Latin <ul style="list-style-type: none"> <li>• MT 4088:</li> <li>• MT 4099:</li> <li>• MT 4138:</li> <li>• MT 6258: D2G D3G D6G</li> <li>• MT 7220: AVG AWG B1G ASG AUG</li> <li>• MT 7354:</li> <li>• MT 7357:</li> <li>• MT 7360:</li> <li>• MT 7483:</li> <li>• MT 8910:</li> <li>• MT 9964:</li> <li>• MT 3379, 4083, 5897, 6137, 6234, 6303, 7174, 7346, 7582, 7627, 7630, and 7638_SB</li> </ul>	71Y8326	1

Windows 7 Professional 32	FRU #	CRU
Slovakian <ul style="list-style-type: none"> <li>• MT 4088: A1G</li> <li>• MT 4099: A1G A2G A3G</li> <li>• MT 4138: A1G</li> <li>• MT 6258: D2G D3G D6G</li> <li>• MT 7220: AVG AWG B1G ASG AUG</li> <li>• MT 7354: A2G A3G</li> <li>• MT 7357: A4G A5G A2G A3G</li> <li>• MT 7360:</li> <li>• MT 7483:</li> <li>• MT 8910:</li> <li>• MT 9964: A6G AAG</li> <li>• MT 3379, 4083, 5897, 6137, 6234, 6303, 7174, 7346, 7582, 7627, 7630, and 7638_SB</li> </ul>	71Y8323	1
Arabic Enabled <ul style="list-style-type: none"> <li>• MT 4088:</li> <li>• MT 4099:</li> <li>• MT 4138:</li> <li>• MT 6258: D2G D3G D6G</li> <li>• MT 7220: AVG AWG B1G ASG AUG</li> <li>• MT 7354:</li> <li>• MT 7357:</li> <li>• MT 7360:</li> <li>• MT 7483:</li> <li>• MT 8910:</li> <li>• MT 9964:</li> <li>• MT 3379, 4083, 5897, 6137, 6234, 6303, 7174, 7346, 7582, 7627, 7630, and 7638_SB</li> </ul>	71Y8304	1
Hebrew <ul style="list-style-type: none"> <li>• MT 4088: A1G</li> <li>• MT 4099: A1G A2G A3G</li> <li>• MT 4138: A1G</li> <li>• MT 6258: D2G D3G D6G</li> <li>• MT 7220: AVG AWG B1G ASG AUG</li> <li>• MT 7354: A2G A3G</li> <li>• MT 7357: A4G A5G A2G A3G</li> <li>• MT 7360:</li> <li>• MT 7483:</li> <li>• MT 8910:</li> <li>• MT 9964: A6G AAG</li> <li>• MT 3379, 4083, 5897, 6137, 6234, 6303, 7174, 7346, 7582, 7627, 7630, and 7638_SB</li> </ul>	71Y8312	1

Windows 7 Professional 32	FRU #	CRU
Simplified Chinese <ul style="list-style-type: none"> <li>• MT 4088:</li> <li>• MT 4099:</li> <li>• MT 4138:</li> <li>• MT 6258:</li> <li>• MT 7220: AVC</li> <li>• MT 7354:</li> <li>• MT 7357:</li> <li>• MT 7360:</li> <li>• MT 7483:</li> <li>• MT 8910:</li> <li>• MT 9964:</li> <li>• MT 3379, 4083, 5897, 6137, 6234, 6303, 7174, 7346, 7582, 7627, 7630, and 7638_SB</li> </ul>	71Y8306	1
Traditional Chinese <ul style="list-style-type: none"> <li>• MT 4088:</li> <li>• MT 4099:</li> <li>• MT 4138:</li> <li>• MT 6258:</li> <li>• MT 7220: AVB</li> <li>• MT 7354:</li> <li>• MT 7357:</li> <li>• MT 7360: EKV ELV</li> <li>• MT 7483:</li> <li>• MT 8910:</li> <li>• MT 9964:</li> <li>• MT 3379, 4083, 5897, 6137, 6234, 6303, 7174, 7346, 7582, 7627, 7630, and 7638_SB</li> </ul>	71Y8307	1
Hong Kong <ul style="list-style-type: none"> <li>• MT 4088:</li> <li>• MT 4099:</li> <li>• MT 4138:</li> <li>• MT 6258:</li> <li>• MT 7220: AVB</li> <li>• MT 7354:</li> <li>• MT 7357:</li> <li>• MT 7360:</li> <li>• MT 7483:</li> <li>• MT 8910:</li> <li>• MT 9964:</li> <li>• MT 3379, 4083, 5897, 6137, 6234, 6303, 7174, 7346, 7582, 7627, 7630, and 7638_SB</li> </ul>	71Y8313	1

Windows 7 Professional 32	FRU #	CRU
Portuguese <ul style="list-style-type: none"> <li>• MT 4088:</li> <li>• MT 4099:</li> <li>• MT 4138:</li> <li>• MT 6258: D2G D3G D6G</li> <li>• MT 7220: AVG AWG B1G ASG AUG</li> <li>• MT 7354:</li> <li>• MT 7357:</li> <li>• MT 7360:</li> <li>• MT 7483:</li> <li>• MT 8910:</li> <li>• MT 9964:</li> <li>• MT 3379, 4083, 5897, 6137, 6234, 6303, 7174, 7346, 7582, 7627, 7630, and 7638_SB</li> </ul>	71Y8319	1
Russian English <ul style="list-style-type: none"> <li>• MT 4088: A1G</li> <li>• MT 4099: A1G A2G A3G</li> <li>• MT 4138: A1G</li> <li>• MT 6258: D2G D3G D6G</li> <li>• MT 7220: AVG AWG B1G ASG AUG</li> <li>• MT 7354: A2G A3G</li> <li>• MT 7357: A4G A5G A2G A3G</li> <li>• MT 7360:</li> <li>• MT 7483:</li> <li>• MT 8910:</li> <li>• MT 9964: A6G AAG</li> <li>• MT 3379, 4083, 5897, 6137, 6234, 6303, 7174, 7346, 7582, 7627, 7630, and 7638_SB</li> </ul>	71Y8320	1
Spanish <ul style="list-style-type: none"> <li>• MT 4088: A1G</li> <li>• MT 4099: A1G A2G A3G</li> <li>• MT 4138: A1G</li> <li>• MT 6258: D2G D3G D6G</li> <li>• MT 7220: AVG AWG B1G ASG AUG</li> <li>• MT 7354: A2G A3G</li> <li>• MT 7357: A4G A5G A2G A3G</li> <li>• MT 7360:</li> <li>• MT 7483:</li> <li>• MT 8910:</li> <li>• MT 9964: A6G A9S A9Y AAG ABS ACS</li> <li>• MT 3379, 4083, 5897, 6137, 6234, 6303, 7174, 7346, 7582, 7627, 7630, and 7638_SB</li> </ul>	71Y8325	1

Windows 7 Professional 32	FRU #	CRU
C&L Bel Lux (EN FR GR NL) <ul style="list-style-type: none"> <li>• MT 4088:</li> <li>• MT 4099:</li> <li>• MT 4138:</li> <li>• MT 6258: D2G D3G D6G</li> <li>• MT 7220: AVG AWG B1G ASG AUG</li> <li>• MT 7354:</li> <li>• MT 7357:</li> <li>• MT 7360:</li> <li>• MT 7483:</li> <li>• MT 8910:</li> <li>• MT 9964:</li> <li>• MT 3379, 4083, 5897, 6137, 6234, 6303, 7174, 7346, 7582, 7627, 7630, and 7638_SB</li> </ul>	71Y8329	1
C&L Nordics (EN DK FI NO SV) <ul style="list-style-type: none"> <li>• MT 4088:</li> <li>• MT 4099:</li> <li>• MT 4138:</li> <li>• MT 6258: D2G D3G D6G</li> <li>• MT 7220: AVG AWG B1G ASG AUG</li> <li>• MT 7354:</li> <li>• MT 7357:</li> <li>• MT 7360:</li> <li>• MT 7483:</li> <li>• MT 8910:</li> <li>• MT 9964:</li> <li>• MT 3379, 4083, 5897, 6137, 6234, 6303, 7174, 7346, 7582, 7627, 7630, and 7638_SB</li> </ul>	71Y8330	1
C&L Switzerland (EN FR GR IT) <ul style="list-style-type: none"> <li>• MT 4088:</li> <li>• MT 4099:</li> <li>• MT 4138:</li> <li>• MT 6258: D2G D3G D6G</li> <li>• MT 7220: AVG AWG B1G ASG AUG</li> <li>• MT 7354:</li> <li>• MT 7357:</li> <li>• MT 7360:</li> <li>• MT 7483:</li> <li>• MT 8910:</li> <li>• MT 9964:</li> <li>• MT 3379, 4083, 5897, 6137, 6234, 6303, 7174, 7346, 7582, 7627, 7630, and 7638_SB</li> </ul>	71Y8331	1
India English <ul style="list-style-type: none"> <li>• MT 4088:</li> <li>• MT 4099:</li> </ul>	71Y8649	1



Windows 7 Professional 32	FRU #	CRU
<ul style="list-style-type: none"> <li>• MT 4138:</li> <li>• MT 6258:</li> <li>• MT 7220:</li> <li>• MT 7354:</li> <li>• MT 7357:</li> <li>• MT 7360:</li> <li>• MT 7483:</li> <li>• MT 8910:</li> <li>• MT 9964:</li> <li>• MT 3379, 4083, 5897, 6137, 6234, 6303, 7174, 7346, 7582, 7627, 7630, and 7638_SB</li> </ul>		

## Windows 7 Professional 32 SP1 Recovery CD

Windows 7 Professional 32 SP1	FRU #	CRU
<p>US English</p> <ul style="list-style-type: none"> <li>• MT 4088: A1G</li> <li>• MT 4099: A1G A2G A3G</li> <li>• MT 4138: A1G</li> <li>• MT 6258: BGA BBM BCM BDM BEM BFM AWU B1U AVU D2G D3G D6G D7U D7L D9U DBU DAU</li> <li>• MT 7220: APM AQM ARM ALM AMM ANM AVG AWG B1G ASG AUG AVU AVM AVA AVQ AVH AVR AVE B3U B5Q</li> <li>• MT 7354: A2G A3G</li> <li>• MT 7357: A4G A5G A2G A3G</li> <li>• MT 7360: E7A E8A EBA DFM DGM DHM DKM DLM DMM DNM DPM DPA DQM DRM DSM DUM DWM E3M E4M E5M ECU DBU EDU EFU EGU EHU ENA EPU EPF EPL EQU EQF EQL ERM ESM ETM EUU F1M F2M EVU F3M F4M</li> <li>• MT 7483: BKA B4M B5M B6M B7M B8M B9M BBM BCM BDM BEM BFM BGM BHM BJM BLQ BRU BUM BWU D1Q</li> <li>• MT 8910: ALU AMU AQU ARU ATU AUU B4U</li> <li>• MT 9964: A6G A7U A8U AAG ABU ACU</li> <li>• MT 3379, 4083, 5897, 6137, 6234, 6303, 7174, 7346, 7582, 7627, 7630, and 7638_SB</li> </ul>	03T1792	1
<p>French</p> <ul style="list-style-type: none"> <li>• MT 4088: A1G</li> <li>• MT 4099: A1G A2G A3G</li> <li>• MT 4138: A1G</li> <li>• MT 6258: AWF B1F AVF D2G D3G D6G D7F D9F DBF DAF</li> <li>• MT 7220: AVG AWG B1G ASG AUG AVF B3F</li> <li>• MT 7354: A2G A3G</li> <li>• MT 7357: A4G A5G A2G A3G</li> <li>• MT 7360: ECF DBF EDF EFF EGF EHF EUF EVF</li> <li>• MT 7483: BRF BWF</li> <li>• MT 8910: ALF AMF AQF ARF ATF AUF B4F</li> <li>• MT 9964: A6G A7F A8F AAG ABF ACF</li> </ul>	03T1773	1

Windows 7 Professional 32 SP1	FRU #	CRU
<ul style="list-style-type: none"> <li>• MT 3379, 4083, 5897, 6137, 6234, 6303, 7174, 7346, 7582, 7627, 7630, and 7638_SB</li> </ul>		
<p>German</p> <ul style="list-style-type: none"> <li>• MT 4088: A1G</li> <li>• MT 4099: A1G A2G A3G</li> <li>• MT 4138: A1G</li> <li>• MT 6258: D2G D3G D6G</li> <li>• MT 7220: AVG AWG B1G ASG AUG</li> <li>• MT 7354: A2G A3G</li> <li>• MT 7357: A4G A5G A2G A3G</li> <li>• MT 7360:</li> <li>• MT 7483:</li> <li>• MT 8910:</li> <li>• MT 9964: A6G AAG</li> <li>• MT 3379, 4083, 5897, 6137, 6234, 6303, 7174, 7346, 7582, 7627, 7630, and 7638_SB</li> </ul>	03T1775	1
<p>Spanish</p> <ul style="list-style-type: none"> <li>• MT 4088:</li> <li>• MT 4099:</li> <li>• MT 4138:</li> <li>• MT 6258: D2G D3G D6G</li> <li>• MT 7220: AVG AWG B1G ASG AUG</li> <li>• MT 7354:</li> <li>• MT 7357:</li> <li>• MT 7360:</li> <li>• MT 7483:</li> <li>• MT 8910:</li> <li>• MT 9964:</li> <li>• MT 3379, 4083, 5897, 6137, 6234, 6303, 7174, 7346, 7582, 7627, 7630, and 7638_SB</li> </ul>	03T1789	1
<p>Italian</p> <ul style="list-style-type: none"> <li>• MT 4088:</li> <li>• MT 4099:</li> <li>• MT 4138:</li> <li>• MT 6258: D2G D3G D6G</li> <li>• MT 7220: AVG AWG B1G ASG AUG</li> <li>• MT 7354:</li> <li>• MT 7357:</li> <li>• MT 7360:</li> <li>• MT 7483:</li> <li>• MT 8910:</li> <li>• MT 9964:</li> <li>• MT 3379, 4083, 5897, 6137, 6234, 6303, 7174, 7346, 7582, 7627, 7630, and 7638_SB</li> </ul>	03T1779	1

Windows 7 Professional 32 SP1	FRU #	CRU
Czech <ul style="list-style-type: none"> <li>• MT 4088: A1G</li> <li>• MT 4099: A1G A2G A3G</li> <li>• MT 4138: A1G</li> <li>• MT 6258: D2G D3G D6G</li> <li>• MT 7220: AVG AWG B1G ASG AUG</li> <li>• MT 7354: A2G A3G</li> <li>• MT 7357: A4G A5G A2G A3G</li> <li>• MT 7360:</li> <li>• MT 7483:</li> <li>• MT 8910:</li> <li>• MT 9964: A6G AAG</li> <li>• MT 3379, 4083, 5897, 6137, 6234, 6303, 7174, 7346, 7582, 7627, 7630, and 7638_SB</li> </ul>	03T1771	1
Polish <ul style="list-style-type: none"> <li>• MT 4088: A1G</li> <li>• MT 4099: A1G A2G A3G</li> <li>• MT 4138: A1G</li> <li>• MT 6258: D2G D3G D6G</li> <li>• MT 7220: AVG AWG B1G ASG AUG</li> <li>• MT 7354: A2G A3G</li> <li>• MT 7357: A4G A5G A2G A3G</li> <li>• MT 7360:</li> <li>• MT 7483:</li> <li>• MT 8910:</li> <li>• MT 9964: A6G AAG</li> <li>• MT 3379, 4083, 5897, 6137, 6234, 6303, 7174, 7346, 7582, 7627, 7630, and 7638_SB</li> </ul>	03T1782	1
Russian <ul style="list-style-type: none"> <li>• MT 4088: A1G</li> <li>• MT 4099: A1G A2G A3G</li> <li>• MT 4138: A1G</li> <li>• MT 6258: D2G D3G D6G</li> <li>• MT 7220: AVG AWG B1G ASG AUG</li> <li>• MT 7354: A2G A3G</li> <li>• MT 7357: A4G A5G A2G A3G</li> <li>• MT 7360:</li> <li>• MT 7483:</li> <li>• MT 8910:</li> <li>• MT 9964: A6G AAG</li> <li>• MT 3379, 4083, 5897, 6137, 6234, 6303, 7174, 7346, 7582, 7627, 7630, and 7638_SB</li> </ul>	03T1786	1

Windows 7 Professional 32 SP1	FRU #	CRU
<p>Turkish</p> <ul style="list-style-type: none"> <li>• MT 4088: A1G</li> <li>• MT 4099: A1G A2G A3G</li> <li>• MT 4138: A1G</li> <li>• MT 6258: D2G D3G D6G</li> <li>• MT 7220: AVG AWG B1G ASG AUG</li> <li>• MT 7354: A2G A3G</li> <li>• MT 7357: A4G A5G A2G A3G</li> <li>• MT 7360:</li> <li>• MT 7483:</li> <li>• MT 8910:</li> <li>• MT 9964: A6G AAG</li> <li>• MT 3379, 4083, 5897, 6137, 6234, 6303, 7174, 7346, 7582, 7627, 7630, and 7638_SB</li> </ul>	03T1791	1
<p>Hungarian</p> <ul style="list-style-type: none"> <li>• MT 4088:</li> <li>• MT 4099:</li> <li>• MT 4138:</li> <li>• MT 6258:</li> <li>• MT 7220: AVG AWG B1G ASG AUG</li> <li>• MT 7354:</li> <li>• MT 7357:</li> <li>• MT 7360:</li> <li>• MT 7483:</li> <li>• MT 8910: ALP AMP</li> <li>• MT 9964: A7P A8P</li> <li>• MT 3379, 4083, 5897, 6137, 6234, 6303, 7174, 7346, 7582, 7627, 7630, and 7638_SB</li> </ul>	03T1778	1
<p>Greek</p> <ul style="list-style-type: none"> <li>• MT 4088:</li> <li>• MT 4099:</li> <li>• MT 4138:</li> <li>• MT 6258:</li> <li>• MT 7220: AVK</li> <li>• MT 7354:</li> <li>• MT 7357:</li> <li>• MT 7360:</li> <li>• MT 7483:</li> <li>• MT 8910:</li> <li>• MT 9964:</li> <li>• MT 3379, 4083, 5897, 6137, 6234, 6303, 7174, 7346, 7582, 7627, 7630, and 7638_SB</li> </ul>	03T1774	1

Windows 7 Professional 32 SP1	FRU #	CRU
Brazilian Portuguese <ul style="list-style-type: none"> <li>• MT 4088:</li> <li>• MT 4099:</li> <li>• MT 4138:</li> <li>• MT 6258: D2G D3G D6G</li> <li>• MT 7220: AVG AWG B1G ASG AUG</li> <li>• MT 7354:</li> <li>• MT 7357:</li> <li>• MT 7360:</li> <li>• MT 7483:</li> <li>• MT 8910:</li> <li>• MT 9964:</li> <li>• MT 3379, 4083, 5897, 6137, 6234, 6303, 7174, 7346, 7582, 7627, 7630, and 7638_SB</li> </ul>	03T1768	1
Korean <ul style="list-style-type: none"> <li>• MT 4088: A1G</li> <li>• MT 4099: A1G A2G A3G</li> <li>• MT 4138: A1G</li> <li>• MT 6258: D2G D3G D6G</li> <li>• MT 7220: AVG AWG B1G ASG AUG</li> <li>• MT 7354: A2G A3G</li> <li>• MT 7357: A4G A5G A2G A3G</li> <li>• MT 7360:</li> <li>• MT 7483:</li> <li>• MT 8910:</li> <li>• MT 9964: A6G AAG</li> <li>• MT 3379, 4083, 5897, 6137, 6234, 6303, 7174, 7346, 7582, 7627, 7630, and 7638_SB</li> </ul>	03T1781	1
Slovenian <ul style="list-style-type: none"> <li>• MT 4088: A1G</li> <li>• MT 4099: A1G A2G A3G</li> <li>• MT 4138: A1G</li> <li>• MT 6258: D2G D3G D6G</li> <li>• MT 7220: AVG AWG B1G ASG AUG</li> <li>• MT 7354: A2G A3G</li> <li>• MT 7357: A4G A5G A2G A3G</li> <li>• MT 7360:</li> <li>• MT 7483:</li> <li>• MT 8910:</li> <li>• MT 9964: A6G AAG</li> <li>• MT 3379, 4083, 5897, 6137, 6234, 6303, 7174, 7346, 7582, 7627, 7630, and 7638_SB</li> </ul>	03T1788	1

Windows 7 Professional 32 SP1	FRU #	CRU
Russian English <ul style="list-style-type: none"> <li>• MT 4088:</li> <li>• MT 4099:</li> <li>• MT 4138:</li> <li>• MT 6258: D2G D3G D6G</li> <li>• MT 7220: AVG AWG B1G ASG AUG</li> <li>• MT 7354:</li> <li>• MT 7357:</li> <li>• MT 7360:</li> <li>• MT 7483:</li> <li>• MT 8910:</li> <li>• MT 9964:</li> <li>• MT 3379, 4083, 5897, 6137, 6234, 6303, 7174, 7346, 7582, 7627, 7630, and 7638_SB</li> </ul>	03T1784	1
Romanian <ul style="list-style-type: none"> <li>• MT 4088: A1G</li> <li>• MT 4099: A1G A2G A3G</li> <li>• MT 4138: A1G</li> <li>• MT 6258: D2G D3G D6G</li> <li>• MT 7220: AVG AWG B1G ASG AUG</li> <li>• MT 7354: A2G A3G</li> <li>• MT 7357: A4G A5G A2G A3G</li> <li>• MT 7360:</li> <li>• MT 7483:</li> <li>• MT 8910:</li> <li>• MT 9964: A6G AAG</li> <li>• MT 3379, 4083, 5897, 6137, 6234, 6303, 7174, 7346, 7582, 7627, 7630, and 7638_SB</li> </ul>	03T1785	1
Serbian-Latin <ul style="list-style-type: none"> <li>• MT 4088:</li> <li>• MT 4099:</li> <li>• MT 4138:</li> <li>• MT 6258: D2G D3G D6G</li> <li>• MT 7220: AVG AWG B1G ASG AUG</li> <li>• MT 7354:</li> <li>• MT 7357:</li> <li>• MT 7360:</li> <li>• MT 7483:</li> <li>• MT 8910:</li> <li>• MT 9964:</li> <li>• MT 3379, 4083, 5897, 6137, 6234, 6303, 7174, 7346, 7582, 7627, 7630, and 7638_SB</li> </ul>	03T1790	1

Windows 7 Professional 32 SP1	FRU #	CRU
Slovakian <ul style="list-style-type: none"> <li>• MT 4088: A1G</li> <li>• MT 4099: A1G A2G A3G</li> <li>• MT 4138: A1G</li> <li>• MT 6258: D2G D3G D6G</li> <li>• MT 7220: AVG AWG B1G ASG AUG</li> <li>• MT 7354: A2G A3G</li> <li>• MT 7357: A4G A5G A2G A3G</li> <li>• MT 7360:</li> <li>• MT 7483:</li> <li>• MT 8910:</li> <li>• MT 9964: A6G AAG</li> <li>• MT 3379, 4083, 5897, 6137, 6234, 6303, 7174, 7346, 7582, 7627, 7630, and 7638_SB</li> </ul>	03T1787	1
Arabic Localized <ul style="list-style-type: none"> <li>• MT 4088:</li> <li>• MT 4099:</li> <li>• MT 4138:</li> <li>• MT 6258:</li> <li>• MT 7220: AVC</li> <li>• MT 7354:</li> <li>• MT 7357:</li> <li>• MT 7360:</li> <li>• MT 7483:</li> <li>• MT 8910:</li> <li>• MT 9964:</li> <li>• MT 3379, 4083, 5897, 6137, 6234, 6303, 7174, 7346, 7582, 7627, 7630, and 7638_SB</li> </ul>	03T1767	1
Hebrew <ul style="list-style-type: none"> <li>• MT 4088:</li> <li>• MT 4099:</li> <li>• MT 4138:</li> <li>• MT 6258:</li> <li>• MT 7220: AVB</li> <li>• MT 7354:</li> <li>• MT 7357:</li> <li>• MT 7360: EKV ELV</li> <li>• MT 7483:</li> <li>• MT 8910:</li> <li>• MT 9964:</li> <li>• MT 3379, 4083, 5897, 6137, 6234, 6303, 7174, 7346, 7582, 7627, 7630, and 7638_SB</li> </ul>	03T1776	1

Windows 7 Professional 32 SP1	FRU #	CRU
Simplified Chinese <ul style="list-style-type: none"> <li>• MT 4088:</li> <li>• MT 4099:</li> <li>• MT 4138:</li> <li>• MT 6258:</li> <li>• MT 7220: AVB</li> <li>• MT 7354:</li> <li>• MT 7357:</li> <li>• MT 7360:</li> <li>• MT 7483:</li> <li>• MT 8910:</li> <li>• MT 9964:</li> <li>• MT 3379, 4083, 5897, 6137, 6234, 6303, 7174, 7346, 7582, 7627, 7630, and 7638_SB</li> </ul>	03T1769	1
Traditional Chinese <ul style="list-style-type: none"> <li>• MT 4088:</li> <li>• MT 4099:</li> <li>• MT 4138:</li> <li>• MT 6258: D2G D3G D6G</li> <li>• MT 7220: AVG AWG B1G ASG AUG</li> <li>• MT 7354:</li> <li>• MT 7357:</li> <li>• MT 7360:</li> <li>• MT 7483:</li> <li>• MT 8910:</li> <li>• MT 9964:</li> <li>• MT 3379, 4083, 5897, 6137, 6234, 6303, 7174, 7346, 7582, 7627, 7630, and 7638_SB</li> </ul>	03T1770	1
Hong Kong <ul style="list-style-type: none"> <li>• MT 4088: A1G</li> <li>• MT 4099: A1G A2G A3G</li> <li>• MT 4138: A1G</li> <li>• MT 6258: D2G D3G D6G</li> <li>• MT 7220: AVG AWG B1G ASG AUG</li> <li>• MT 7354: A2G A3G</li> <li>• MT 7357: A4G A5G A2G A3G</li> <li>• MT 7360:</li> <li>• MT 7483:</li> <li>• MT 8910:</li> <li>• MT 9964: A6G AAG</li> <li>• MT 3379, 4083, 5897, 6137, 6234, 6303, 7174, 7346, 7582, 7627, 7630, and 7638_SB</li> </ul>	03T1777	1



Windows 7 Professional 32 SP1	FRU #	CRU
Portuguese <ul style="list-style-type: none"> <li>• MT 4088: A1G</li> <li>• MT 4099: A1G A2G A3G</li> <li>• MT 4138: A1G</li> <li>• MT 6258: D2G D3G D6G</li> <li>• MT 7220: AVG AWG B1G ASG AUG</li> <li>• MT 7354: A2G A3G</li> <li>• MT 7357: A4G A5G A2G A3G</li> <li>• MT 7360:</li> <li>• MT 7483:</li> <li>• MT 8910:</li> <li>• MT 9964: A6G A9S A9Y AAG ABS ACS</li> <li>• MT 3379, 4083, 5897, 6137, 6234, 6303, 7174, 7346, 7582, 7627, 7630, and 7638_SB</li> </ul>	03T1783	1
C&L Bel Lux (EN FR GR NL) <ul style="list-style-type: none"> <li>• MT 4088:</li> <li>• MT 4099:</li> <li>• MT 4138:</li> <li>• MT 6258: D2G D3G D6G</li> <li>• MT 7220: AVG AWG B1G ASG AUG</li> <li>• MT 7354:</li> <li>• MT 7357:</li> <li>• MT 7360:</li> <li>• MT 7483:</li> <li>• MT 8910:</li> <li>• MT 9964:</li> <li>• MT 3379, 4083, 5897, 6137, 6234, 6303, 7174, 7346, 7582, 7627, 7630, and 7638_SB</li> </ul>	03T1793	1
C&L Nordics (EN DK FI NO SV) <ul style="list-style-type: none"> <li>• MT 4088:</li> <li>• MT 4099:</li> <li>• MT 4138:</li> <li>• MT 6258: D2G D3G D6G</li> <li>• MT 7220: AVG AWG B1G ASG AUG</li> <li>• MT 7354:</li> <li>• MT 7357:</li> <li>• MT 7360:</li> <li>• MT 7483:</li> <li>• MT 8910:</li> <li>• MT 9964:</li> <li>• MT 3379, 4083, 5897, 6137, 6234, 6303, 7174, 7346, 7582, 7627, 7630, and 7638_SB</li> </ul>	03T1794	1

Windows 7 Professional 32 SP1	FRU #	CRU
C&L Switzerland (EN FR GR IT) <ul style="list-style-type: none"> <li>• MT 4088:</li> <li>• MT 4099:</li> <li>• MT 4138:</li> <li>• MT 6258: D2G D3G D6G</li> <li>• MT 7220: AVG AWG B1G ASG AUG</li> <li>• MT 7354:</li> <li>• MT 7357:</li> <li>• MT 7360:</li> <li>• MT 7483:</li> <li>• MT 8910:</li> <li>• MT 9964:</li> <li>• MT 3379, 4083, 5897, 6137, 6234, 6303, 7174, 7346, 7582, 7627, 7630, and 7638_SB</li> </ul>	03T1795	1
India English <ul style="list-style-type: none"> <li>• MT 4088:</li> <li>• MT 4099:</li> <li>• MT 4138:</li> <li>• MT 6258:</li> <li>• MT 7220:</li> <li>• MT 7354:</li> <li>• MT 7357:</li> <li>• MT 7360:</li> <li>• MT 7483:</li> <li>• MT 8910:</li> <li>• MT 9964:</li> <li>• MT 3379, 4083, 5897, 6137, 6234, 6303, 7174, 7346, 7582, 7627, 7630, and 7638_SB</li> </ul>	03T1772	1
Japanese <ul style="list-style-type: none"> <li>• MT 4088:</li> <li>• MT 4099:</li> <li>• MT 4138:</li> <li>• MT 6258:</li> <li>• MT 7220:</li> <li>• MT 7354:</li> <li>• MT 7357:</li> <li>• MT 7360:</li> <li>• MT 7483:</li> <li>• MT 8910:</li> <li>• MT 9964:</li> <li>• MT 3379, 4083, 5897, 6137, 6234, 6303, 7174, 7346, 7582, 7627, 7630, and 7638_SB</li> </ul>	03T1780	1

## Windows 7 Professional 64 Recovery CD

Windows 7 Professional 64	FRU #	CRU
US English <ul style="list-style-type: none"> <li>• MT 4088:</li> <li>• MT 4099:</li> <li>• MT 4138: A2G</li> <li>• MT 6258: DDG DFM</li> <li>• MT 7220: B4U</li> <li>• MT 7354:</li> <li>• MT 7357:</li> <li>• MT 7360: F5M F6M F7M</li> <li>• MT 7483: BVU D2M</li> <li>• MT 8910: ASU</li> <li>• MT 9964: ADU</li> <li>• MT 3379, 4083, 5897, 6137, 6234, 6303, 7174, 7346, 7582, 7627, 7630, and 7638_SB</li> </ul>	71Y8366	1
French <ul style="list-style-type: none"> <li>• MT 4088:</li> <li>• MT 4099:</li> <li>• MT 4138: A2G</li> <li>• MT 6258: DDG</li> <li>• MT 7220: B4F</li> <li>• MT 7354:</li> <li>• MT 7357:</li> <li>• MT 7360:</li> <li>• MT 7483: BVF</li> <li>• MT 8910: ASF</li> <li>• MT 9964: ADF</li> <li>• MT 3379, 4083, 5897, 6137, 6234, 6303, 7174, 7346, 7582, 7627, 7630, and 7638_SB</li> </ul>	71Y8360	1
German <ul style="list-style-type: none"> <li>• MT 4088:</li> <li>• MT 4099:</li> <li>• MT 4138: A2G</li> <li>• MT 6258: DDG</li> <li>• MT 7220:</li> <li>• MT 7354:</li> <li>• MT 7357:</li> <li>• MT 7360:</li> <li>• MT 7483:</li> <li>• MT 8910:</li> <li>• MT 9964:</li> <li>• MT 3379, 4083, 5897, 6137, 6234, 6303, 7174, 7346, 7582, 7627, 7630, and 7638_SB</li> </ul>	71Y8361	1

Windows 7 Professional 64	FRU #	CRU
Spanish <ul style="list-style-type: none"> <li>• MT 4088:</li> <li>• MT 4099:</li> <li>• MT 4138: A2G</li> <li>• MT 6258: DDG</li> <li>• MT 7220:</li> <li>• MT 7354:</li> <li>• MT 7357:</li> <li>• MT 7360:</li> <li>• MT 7483:</li> <li>• MT 8910:</li> <li>• MT 9964:</li> <li>• MT 3379, 4083, 5897, 6137, 6234, 6303, 7174, 7346, 7582, 7627, 7630, and 7638_SB</li> </ul>	71Y8365	1
Italian <ul style="list-style-type: none"> <li>• MT 4088:</li> <li>• MT 4099:</li> <li>• MT 4138: A2G</li> <li>• MT 6258: DDG</li> <li>• MT 7220:</li> <li>• MT 7354:</li> <li>• MT 7357:</li> <li>• MT 7360:</li> <li>• MT 7483:</li> <li>• MT 8910:</li> <li>• MT 9964:</li> <li>• MT 3379, 4083, 5897, 6137, 6234, 6303, 7174, 7346, 7582, 7627, 7630, and 7638_SB</li> </ul>	71Y8363	1
Brazilian Portuguese <ul style="list-style-type: none"> <li>• MT 4088:</li> <li>• MT 4099:</li> <li>• MT 4138:</li> <li>• MT 6258:</li> <li>• MT 7220:</li> <li>• MT 7354:</li> <li>• MT 7357:</li> <li>• MT 7360:</li> <li>• MT 7483:</li> <li>• MT 8910:</li> <li>• MT 9964:</li> <li>• MT 3379, 4083, 5897, 6137, 6234, 6303, 7174, 7346, 7582, 7627, 7630, and 7638_SB</li> </ul>	71Y8357	1

Windows 7 Professional 64	FRU #	CRU
Simplified Chinese <ul style="list-style-type: none"> <li>• MT 4088:</li> <li>• MT 4099:</li> <li>• MT 4138:</li> <li>• MT 6258:</li> <li>• MT 7220:</li> <li>• MT 7354:</li> <li>• MT 7357:</li> <li>• MT 7360:</li> <li>• MT 7483:</li> <li>• MT 8910:</li> <li>• MT 9964:</li> <li>• MT 3379, 4083, 5897, 6137, 6234, 6303, 7174, 7346, 7582, 7627, 7630, and 7638_SB</li> </ul>	71Y8358	1
Traditional Chinese <ul style="list-style-type: none"> <li>• MT 4088:</li> <li>• MT 4099:</li> <li>• MT 4138:</li> <li>• MT 6258:</li> <li>• MT 7220:</li> <li>• MT 7354:</li> <li>• MT 7357:</li> <li>• MT 7360:</li> <li>• MT 7483:</li> <li>• MT 8910:</li> <li>• MT 9964:</li> <li>• MT 3379, 4083, 5897, 6137, 6234, 6303, 7174, 7346, 7582, 7627, 7630, and 7638_SB</li> </ul>	71Y8359	1
Hong Kong <ul style="list-style-type: none"> <li>• MT 4088:</li> <li>• MT 4099:</li> <li>• MT 4138:</li> <li>• MT 6258:</li> <li>• MT 7220:</li> <li>• MT 7354:</li> <li>• MT 7357:</li> <li>• MT 7360:</li> <li>• MT 7483:</li> <li>• MT 8910:</li> <li>• MT 9964:</li> <li>• MT 3379, 4083, 5897, 6137, 6234, 6303, 7174, 7346, 7582, 7627, 7630, and 7638_SB</li> </ul>	71Y8362	1

Windows 7 Professional 64	FRU #	CRU
Japan <ul style="list-style-type: none"> <li>• MT 4088:</li> <li>• MT 4099:</li> <li>• MT 4138:</li> <li>• MT 6258:</li> <li>• MT 7220:</li> <li>• MT 7354:</li> <li>• MT 7357:</li> <li>• MT 7360:</li> <li>• MT 7483:</li> <li>• MT 8910:</li> <li>• MT 9964:</li> <li>• MT 3379, 4083, 5897, 6137, 6234, 6303, 7174, 7346, 7582, 7627, 7630, and 7638_SB</li> </ul>	71Y8364	1
C&L Nordics (EN DK FI NO SV) <ul style="list-style-type: none"> <li>• MT 4088:</li> <li>• MT 4099:</li> <li>• MT 4138: A2G</li> <li>• MT 6258: DDG</li> <li>• MT 7220:</li> <li>• MT 7354:</li> <li>• MT 7357:</li> <li>• MT 7360:</li> <li>• MT 7483:</li> <li>• MT 8910:</li> <li>• MT 9964:</li> <li>• MT 3379, 4083, 5897, 6137, 6234, 6303, 7174, 7346, 7582, 7627, 7630, and 7638_SB</li> </ul>	71Y8367	1
Switzerland (EN FR GR IT) <ul style="list-style-type: none"> <li>• MT 4088:</li> <li>• MT 4099:</li> <li>• MT 4138: A2G</li> <li>• MT 6258: DDG</li> <li>• MT 7220:</li> <li>• MT 7354:</li> <li>• MT 7357:</li> <li>• MT 7360:</li> <li>• MT 7483:</li> <li>• MT 8910:</li> <li>• MT 9964:</li> <li>• MT 3379, 4083, 5897, 6137, 6234, 6303, 7174, 7346, 7582, 7627, 7630, and 7638_SB</li> </ul>	71Y8368	1

Windows 7 Professional 64	FRU #	CRU
India English <ul style="list-style-type: none"> <li>• MT 4088:</li> <li>• MT 4099:</li> <li>• MT 4138: A2G</li> <li>• MT 6258: DDG</li> <li>• MT 7220:</li> <li>• MT 7354:</li> <li>• MT 7357:</li> <li>• MT 7360:</li> <li>• MT 7483:</li> <li>• MT 8910:</li> <li>• MT 9964:</li> <li>• MT 3379, 4083, 5897, 6137, 6234, 6303, 7174, 7346, 7582, 7627, 7630, and 7638_SB</li> </ul>	71Y8652	1
Arabic <ul style="list-style-type: none"> <li>• MT 4088:</li> <li>• MT 4099:</li> <li>• MT 4138:</li> <li>• MT 6258: DDG</li> <li>• MT 7220:</li> <li>• MT 7354:</li> <li>• MT 7357:</li> <li>• MT 7360:</li> <li>• MT 7483:</li> <li>• MT 8910:</li> <li>• MT 9964:</li> <li>• MT 3379, 4083, 5897, 6137, 6234, 6303, 7174, 7346, 7582, 7627, 7630, and 7638_SB</li> </ul>	03T5963	1
Czech <ul style="list-style-type: none"> <li>• MT 4088:</li> <li>• MT 4099:</li> <li>• MT 4138:</li> <li>• MT 6258: DDG</li> <li>• MT 7220:</li> <li>• MT 7354:</li> <li>• MT 7357:</li> <li>• MT 7360:</li> <li>• MT 7483:</li> <li>• MT 8910:</li> <li>• MT 9964:</li> <li>• MT 3379, 4083, 5897, 6137, 6234, 6303, 7174, 7346, 7582, 7627, 7630, and 7638_SB</li> </ul>	03T5964	1

Windows 7 Professional 64	FRU #	CRU
<p>Greek</p> <ul style="list-style-type: none"> <li>• MT 4088:</li> <li>• MT 4099:</li> <li>• MT 4138:</li> <li>• MT 6258: DDG</li> <li>• MT 7220:</li> <li>• MT 7354:</li> <li>• MT 7357:</li> <li>• MT 7360:</li> <li>• MT 7483:</li> <li>• MT 8910:</li> <li>• MT 9964:</li> <li>• MT 3379, 4083, 5897, 6137, 6234, 6303, 7174, 7346, 7582, 7627, 7630, and 7638_SB</li> </ul>	03T5965	1
<p>Hebrew</p> <ul style="list-style-type: none"> <li>• MT 4088:</li> <li>• MT 4099:</li> <li>• MT 4138:</li> <li>• MT 6258: DDG</li> <li>• MT 7220:</li> <li>• MT 7354:</li> <li>• MT 7357:</li> <li>• MT 7360:</li> <li>• MT 7483:</li> <li>• MT 8910:</li> <li>• MT 9964:</li> <li>• MT 3379, 4083, 5897, 6137, 6234, 6303, 7174, 7346, 7582, 7627, 7630, and 7638_SB</li> </ul>	03T5966	1
<p>Polish</p> <ul style="list-style-type: none"> <li>• MT 4088:</li> <li>• MT 4099:</li> <li>• MT 4138:</li> <li>• MT 6258: DDG</li> <li>• MT 7220:</li> <li>• MT 7354:</li> <li>• MT 7357:</li> <li>• MT 7360:</li> <li>• MT 7483:</li> <li>• MT 8910:</li> <li>• MT 9964:</li> <li>• MT 3379, 4083, 5897, 6137, 6234, 6303, 7174, 7346, 7582, 7627, 7630, and 7638_SB</li> </ul>	03T5967	1



Windows 7 Professional 64	FRU #	CRU
Portuguese <ul style="list-style-type: none"> <li>• MT 4088:</li> <li>• MT 4099:</li> <li>• MT 4138:</li> <li>• MT 6258: DDG</li> <li>• MT 7220:</li> <li>• MT 7354:</li> <li>• MT 7357:</li> <li>• MT 7360:</li> <li>• MT 7483:</li> <li>• MT 8910:</li> <li>• MT 9964:</li> <li>• MT 3379, 4083, 5897, 6137, 6234, 6303, 7174, 7346, 7582, 7627, 7630, and 7638_SB</li> </ul>	03T5968	1
Romanian <ul style="list-style-type: none"> <li>• MT 4088:</li> <li>• MT 4099:</li> <li>• MT 4138:</li> <li>• MT 6258: DDG</li> <li>• MT 7220:</li> <li>• MT 7354:</li> <li>• MT 7357:</li> <li>• MT 7360:</li> <li>• MT 7483:</li> <li>• MT 8910:</li> <li>• MT 9964:</li> <li>• MT 3379, 4083, 5897, 6137, 6234, 6303, 7174, 7346, 7582, 7627, 7630, and 7638_SB</li> </ul>	03T5969	1
Russian <ul style="list-style-type: none"> <li>• MT 4088:</li> <li>• MT 4099:</li> <li>• MT 4138:</li> <li>• MT 6258: DDG</li> <li>• MT 7220:</li> <li>• MT 7354:</li> <li>• MT 7357:</li> <li>• MT 7360:</li> <li>• MT 7483:</li> <li>• MT 8910:</li> <li>• MT 9964:</li> <li>• MT 3379, 4083, 5897, 6137, 6234, 6303, 7174, 7346, 7582, 7627, 7630, and 7638_SB</li> </ul>	03T0491	1

Windows 7 Professional 64	FRU #	CRU
Slovakian <ul style="list-style-type: none"> <li>• MT 4088:</li> <li>• MT 4099:</li> <li>• MT 4138:</li> <li>• MT 6258: DDG</li> <li>• MT 7220:</li> <li>• MT 7354:</li> <li>• MT 7357:</li> <li>• MT 7360:</li> <li>• MT 7483:</li> <li>• MT 8910:</li> <li>• MT 9964:</li> <li>• MT 3379, 4083, 5897, 6137, 6234, 6303, 7174, 7346, 7582, 7627, 7630, and 7638_SB</li> </ul>	03T5970	1
Slovenian <ul style="list-style-type: none"> <li>• MT 4088:</li> <li>• MT 4099:</li> <li>• MT 4138:</li> <li>• MT 6258: DDG</li> <li>• MT 7220:</li> <li>• MT 7354:</li> <li>• MT 7357:</li> <li>• MT 7360:</li> <li>• MT 7483:</li> <li>• MT 8910:</li> <li>• MT 9964:</li> <li>• MT 3379, 4083, 5897, 6137, 6234, 6303, 7174, 7346, 7582, 7627, 7630, and 7638_SB</li> </ul>	03T5971	1
Serbian-Latin <ul style="list-style-type: none"> <li>• MT 4088:</li> <li>• MT 4099:</li> <li>• MT 4138:</li> <li>• MT 6258: DDG</li> <li>• MT 7220:</li> <li>• MT 7354:</li> <li>• MT 7357:</li> <li>• MT 7360:</li> <li>• MT 7483:</li> <li>• MT 8910:</li> <li>• MT 9964:</li> <li>• MT 3379, 4083, 5897, 6137, 6234, 6303, 7174, 7346, 7582, 7627, 7630, and 7638_SB</li> </ul>	03T5972	1
Turkish <ul style="list-style-type: none"> <li>• MT 4088:</li> <li>• MT 4099:</li> </ul>	03T5973	1

Windows 7 Professional 64	FRU #	CRU
<ul style="list-style-type: none"> <li>• MT 4138:</li> <li>• MT 6258: DDG</li> <li>• MT 7220:</li> <li>• MT 7354:</li> <li>• MT 7357:</li> <li>• MT 7360:</li> <li>• MT 7483:</li> <li>• MT 8910:</li> <li>• MT 9964:</li> <li>• MT 3379, 4083, 5897, 6137, 6234, 6303, 7174, 7346, 7582, 7627, 7630, and 7638_SB</li> </ul>		

### Windows 7 Professional 64 SP1 Recovery CD

Windows 7 Professional 64 SP1	FRU #	CRU
US English <ul style="list-style-type: none"> <li>• MT 4088:</li> <li>• MT 4099:</li> <li>• MT 4138: A2G</li> <li>• MT 6258: DDG DFM</li> <li>• MT 7220: B4U</li> <li>• MT 7354:</li> <li>• MT 7357:</li> <li>• MT 7360: F5M F6M F7M</li> <li>• MT 7483: BVU D2M</li> <li>• MT 8910: ASU</li> <li>• MT 9964: ADU</li> <li>• MT 3379, 4083, 5897, 6137, 6234, 6303, 7174, 7346, 7582, 7627, 7630, and 7638_SB</li> </ul>	03T1845	1
French <ul style="list-style-type: none"> <li>• MT 4088:</li> <li>• MT 4099:</li> <li>• MT 4138: A2G</li> <li>• MT 6258: DDG</li> <li>• MT 7220: B4F</li> <li>• MT 7354:</li> <li>• MT 7357:</li> <li>• MT 7360:</li> <li>• MT 7483: BVF</li> <li>• MT 8910: ASF</li> <li>• MT 9964: ADF</li> <li>• MT 3379, 4083, 5897, 6137, 6234, 6303, 7174, 7346, 7582, 7627, 7630, and 7638_SB</li> </ul>	03T1829	1

Windows 7 Professional 64 SP1	FRU #	CRU
German <ul style="list-style-type: none"> <li>• MT 4088:</li> <li>• MT 4099:</li> <li>• MT 4138: A2G</li> <li>• MT 6258: DDG</li> <li>• MT 7220:</li> <li>• MT 7354:</li> <li>• MT 7357:</li> <li>• MT 7360:</li> <li>• MT 7483:</li> <li>• MT 8910:</li> <li>• MT 9964:</li> <li>• MT 3379, 4083, 5897, 6137, 6234, 6303, 7174, 7346, 7582, 7627, 7630, and 7638_SB</li> </ul>	03T1831	1
Spanish <ul style="list-style-type: none"> <li>• MT 4088:</li> <li>• MT 4099:</li> <li>• MT 4138: A2G</li> <li>• MT 6258: DDG</li> <li>• MT 7220:</li> <li>• MT 7354:</li> <li>• MT 7357:</li> <li>• MT 7360:</li> <li>• MT 7483:</li> <li>• MT 8910:</li> <li>• MT 9964:</li> <li>• MT 3379, 4083, 5897, 6137, 6234, 6303, 7174, 7346, 7582, 7627, 7630, and 7638_SB</li> </ul>	03T1842	1
Italian <ul style="list-style-type: none"> <li>• MT 4088:</li> <li>• MT 4099:</li> <li>• MT 4138: A2G</li> <li>• MT 6258: DDG</li> <li>• MT 7220:</li> <li>• MT 7354:</li> <li>• MT 7357:</li> <li>• MT 7360:</li> <li>• MT 7483:</li> <li>• MT 8910:</li> <li>• MT 9964:</li> <li>• MT 3379, 4083, 5897, 6137, 6234, 6303, 7174, 7346, 7582, 7627, 7630, and 7638_SB</li> </ul>	03T1834	1

Windows 7 Professional 64 SP1	FRU #	CRU
Brazilian Portuguese <ul style="list-style-type: none"> <li>• MT 4088:</li> <li>• MT 4099:</li> <li>• MT 4138:</li> <li>• MT 6258:</li> <li>• MT 7220:</li> <li>• MT 7354:</li> <li>• MT 7357:</li> <li>• MT 7360:</li> <li>• MT 7483:</li> <li>• MT 8910:</li> <li>• MT 9964:</li> <li>• MT 3379, 4083, 5897, 6137, 6234, 6303, 7174, 7346, 7582, 7627, 7630, and 7638_SB</li> </ul>	03T1824	1
Simplified Chinese <ul style="list-style-type: none"> <li>• MT 4088:</li> <li>• MT 4099:</li> <li>• MT 4138:</li> <li>• MT 6258:</li> <li>• MT 7220:</li> <li>• MT 7354:</li> <li>• MT 7357:</li> <li>• MT 7360:</li> <li>• MT 7483:</li> <li>• MT 8910:</li> <li>• MT 9964:</li> <li>• MT 3379, 4083, 5897, 6137, 6234, 6303, 7174, 7346, 7582, 7627, 7630, and 7638_SB</li> </ul>	03T1825	1
Traditional Chinese <ul style="list-style-type: none"> <li>• MT 4088:</li> <li>• MT 4099:</li> <li>• MT 4138:</li> <li>• MT 6258:</li> <li>• MT 7220:</li> <li>• MT 7354:</li> <li>• MT 7357:</li> <li>• MT 7360:</li> <li>• MT 7483:</li> <li>• MT 8910:</li> <li>• MT 9964:</li> <li>• MT 3379, 4083, 5897, 6137, 6234, 6303, 7174, 7346, 7582, 7627, 7630, and 7638_SB</li> </ul>	03T1826	1

Windows 7 Professional 64 SP1	FRU #	CRU
Hong Kong <ul style="list-style-type: none"> <li>• MT 4088:</li> <li>• MT 4099:</li> <li>• MT 4138:</li> <li>• MT 6258:</li> <li>• MT 7220:</li> <li>• MT 7354:</li> <li>• MT 7357:</li> <li>• MT 7360:</li> <li>• MT 7483:</li> <li>• MT 8910:</li> <li>• MT 9964:</li> <li>• MT 3379, 4083, 5897, 6137, 6234, 6303, 7174, 7346, 7582, 7627, 7630, and 7638_SB</li> </ul>	03T1832	1
C&L Nordics (EN DK FI NO SV) <ul style="list-style-type: none"> <li>• MT 4088:</li> <li>• MT 4099:</li> <li>• MT 4138: A2G</li> <li>• MT 6258: DDG</li> <li>• MT 7220:</li> <li>• MT 7354:</li> <li>• MT 7357:</li> <li>• MT 7360:</li> <li>• MT 7483:</li> <li>• MT 8910:</li> <li>• MT 9964:</li> <li>• MT 3379, 4083, 5897, 6137, 6234, 6303, 7174, 7346, 7582, 7627, 7630, and 7638_SB</li> </ul>	03T1846	1
Switzerland (EN FR GR IT) <ul style="list-style-type: none"> <li>• MT 4088:</li> <li>• MT 4099:</li> <li>• MT 4138: A2G</li> <li>• MT 6258: DDG</li> <li>• MT 7220:</li> <li>• MT 7354:</li> <li>• MT 7357:</li> <li>• MT 7360:</li> <li>• MT 7483:</li> <li>• MT 8910:</li> <li>• MT 9964:</li> <li>• MT 3379, 4083, 5897, 6137, 6234, 6303, 7174, 7346, 7582, 7627, 7630, and 7638_SB</li> </ul>	03T1847	1

Windows 7 Professional 64 SP1	FRU #	CRU
India English <ul style="list-style-type: none"> <li>• MT 4088:</li> <li>• MT 4099:</li> <li>• MT 4138: A2G</li> <li>• MT 6258: DDG</li> <li>• MT 7220:</li> <li>• MT 7354:</li> <li>• MT 7357:</li> <li>• MT 7360:</li> <li>• MT 7483:</li> <li>• MT 8910:</li> <li>• MT 9964:</li> <li>• MT 3379, 4083, 5897, 6137, 6234, 6303, 7174, 7346, 7582, 7627, 7630, and 7638_SB</li> </ul>	03T1828	1
Arabic <ul style="list-style-type: none"> <li>• MT 4088:</li> <li>• MT 4099:</li> <li>• MT 4138:</li> <li>• MT 6258: DDG</li> <li>• MT 7220:</li> <li>• MT 7354:</li> <li>• MT 7357:</li> <li>• MT 7360:</li> <li>• MT 7483:</li> <li>• MT 8910:</li> <li>• MT 9964:</li> <li>• MT 3379, 4083, 5897, 6137, 6234, 6303, 7174, 7346, 7582, 7627, 7630, and 7638_SB</li> </ul>	03T1823	1
Czech <ul style="list-style-type: none"> <li>• MT 4088:</li> <li>• MT 4099:</li> <li>• MT 4138:</li> <li>• MT 6258: DDG</li> <li>• MT 7220:</li> <li>• MT 7354:</li> <li>• MT 7357:</li> <li>• MT 7360:</li> <li>• MT 7483:</li> <li>• MT 8910:</li> <li>• MT 9964:</li> <li>• MT 3379, 4083, 5897, 6137, 6234, 6303, 7174, 7346, 7582, 7627, 7630, and 7638_SB</li> </ul>	03T1827	1

Windows 7 Professional 64 SP1	FRU #	CRU
Greek <ul style="list-style-type: none"> <li>• MT 4088:</li> <li>• MT 4099:</li> <li>• MT 4138:</li> <li>• MT 6258: DDG</li> <li>• MT 7220:</li> <li>• MT 7354:</li> <li>• MT 7357:</li> <li>• MT 7360:</li> <li>• MT 7483:</li> <li>• MT 8910:</li> <li>• MT 9964:</li> <li>• MT 3379, 4083, 5897, 6137, 6234, 6303, 7174, 7346, 7582, 7627, 7630, and 7638_SB</li> </ul>	03T1830	1
Hebrew <ul style="list-style-type: none"> <li>• MT 4088:</li> <li>• MT 4099:</li> <li>• MT 4138:</li> <li>• MT 6258: DDG</li> <li>• MT 7220:</li> <li>• MT 7354:</li> <li>• MT 7357:</li> <li>• MT 7360:</li> <li>• MT 7483:</li> <li>• MT 8910:</li> <li>• MT 9964:</li> <li>• MT 3379, 4083, 5897, 6137, 6234, 6303, 7174, 7346, 7582, 7627, 7630, and 7638_SB</li> </ul>	03T1833	1
Polish <ul style="list-style-type: none"> <li>• MT 4088:</li> <li>• MT 4099:</li> <li>• MT 4138:</li> <li>• MT 6258: DDG</li> <li>• MT 7220:</li> <li>• MT 7354:</li> <li>• MT 7357:</li> <li>• MT 7360:</li> <li>• MT 7483:</li> <li>• MT 8910:</li> <li>• MT 9964:</li> <li>• MT 3379, 4083, 5897, 6137, 6234, 6303, 7174, 7346, 7582, 7627, 7630, and 7638_SB</li> </ul>	03T1836	1



Windows 7 Professional 64 SP1	FRU #	CRU
Portuguese <ul style="list-style-type: none"> <li>• MT 4088:</li> <li>• MT 4099:</li> <li>• MT 4138:</li> <li>• MT 6258: DDG</li> <li>• MT 7220:</li> <li>• MT 7354:</li> <li>• MT 7357:</li> <li>• MT 7360:</li> <li>• MT 7483:</li> <li>• MT 8910:</li> <li>• MT 9964:</li> <li>• MT 3379, 4083, 5897, 6137, 6234, 6303, 7174, 7346, 7582, 7627, 7630, and 7638_SB</li> </ul>	03T1837	1
Romanian <ul style="list-style-type: none"> <li>• MT 4088:</li> <li>• MT 4099:</li> <li>• MT 4138:</li> <li>• MT 6258: DDG</li> <li>• MT 7220:</li> <li>• MT 7354:</li> <li>• MT 7357:</li> <li>• MT 7360:</li> <li>• MT 7483:</li> <li>• MT 8910:</li> <li>• MT 9964:</li> <li>• MT 3379, 4083, 5897, 6137, 6234, 6303, 7174, 7346, 7582, 7627, 7630, and 7638_SB</li> </ul>	03T1838	1
Russian <ul style="list-style-type: none"> <li>• MT 4088:</li> <li>• MT 4099:</li> <li>• MT 4138:</li> <li>• MT 6258: DDG</li> <li>• MT 7220:</li> <li>• MT 7354:</li> <li>• MT 7357:</li> <li>• MT 7360:</li> <li>• MT 7483:</li> <li>• MT 8910:</li> <li>• MT 9964:</li> <li>• MT 3379, 4083, 5897, 6137, 6234, 6303, 7174, 7346, 7582, 7627, 7630, and 7638_SB</li> </ul>	03T1839	1

Windows 7 Professional 64 SP1	FRU #	CRU
Slovakian <ul style="list-style-type: none"> <li>• MT 4088:</li> <li>• MT 4099:</li> <li>• MT 4138:</li> <li>• MT 6258: DDG</li> <li>• MT 7220:</li> <li>• MT 7354:</li> <li>• MT 7357:</li> <li>• MT 7360:</li> <li>• MT 7483:</li> <li>• MT 8910:</li> <li>• MT 9964:</li> <li>• MT 3379, 4083, 5897, 6137, 6234, 6303, 7174, 7346, 7582, 7627, 7630, and 7638_SB</li> </ul>	03T1840	1
Slovenian <ul style="list-style-type: none"> <li>• MT 4088:</li> <li>• MT 4099:</li> <li>• MT 4138:</li> <li>• MT 6258: DDG</li> <li>• MT 7220:</li> <li>• MT 7354:</li> <li>• MT 7357:</li> <li>• MT 7360:</li> <li>• MT 7483:</li> <li>• MT 8910:</li> <li>• MT 9964:</li> <li>• MT 3379, 4083, 5897, 6137, 6234, 6303, 7174, 7346, 7582, 7627, 7630, and 7638_SB</li> </ul>	03T1841	1
Serbian-Latin <ul style="list-style-type: none"> <li>• MT 4088:</li> <li>• MT 4099:</li> <li>• MT 4138:</li> <li>• MT 6258: DDG</li> <li>• MT 7220:</li> <li>• MT 7354:</li> <li>• MT 7357:</li> <li>• MT 7360:</li> <li>• MT 7483:</li> <li>• MT 8910:</li> <li>• MT 9964:</li> <li>• MT 3379, 4083, 5897, 6137, 6234, 6303, 7174, 7346, 7582, 7627, 7630, and 7638_SB</li> </ul>	03T1843	1

Windows 7 Professional 64 SP1	FRU #	CRU
Turkish <ul style="list-style-type: none"> <li>• MT 4088:</li> <li>• MT 4099:</li> <li>• MT 4138:</li> <li>• MT 6258: DDG</li> <li>• MT 7220:</li> <li>• MT 7354:</li> <li>• MT 7357:</li> <li>• MT 7360:</li> <li>• MT 7483:</li> <li>• MT 8910:</li> <li>• MT 9964:</li> <li>• MT 3379, 4083, 5897, 6137, 6234, 6303, 7174, 7346, 7582, 7627, 7630, and 7638_SB</li> </ul>	03T1844	1
Japanese <ul style="list-style-type: none"> <li>• MT 4088:</li> <li>• MT 4099:</li> <li>• MT 4138:</li> <li>• MT 6258:</li> <li>• MT 7220:</li> <li>• MT 7354:</li> <li>• MT 7357:</li> <li>• MT 7360:</li> <li>• MT 7483:</li> <li>• MT 8910:</li> <li>• MT 9964:</li> <li>• MT 3379, 4083, 5897, 6137, 6234, 6303, 7174, 7346, 7582, 7627, 7630, and 7638_SB</li> </ul>	03T1835	1

## Windows 7 Ultimate 32 Recovery CD

Windows 7 Ultimate 32	FRU #	CRU
Chinese Traditional <ul style="list-style-type: none"> <li>• MT 4088:</li> <li>• MT 4099:</li> <li>• MT 4138:</li> <li>• MT 6258:</li> <li>• MT 7220:</li> <li>• MT 7354:</li> <li>• MT 7357:</li> <li>• MT 7360:</li> <li>• MT 7483:</li> <li>• MT 8910:</li> <li>• MT 9964:</li> </ul>	03T1848	1

Windows 7 Ultimate 32	FRU #	CRU
<ul style="list-style-type: none"> <li>• MT 3379, 4083, 5897, 6137, 6234, 6303, 7174, 7346, 7582, 7627, 7630, and 7638._SB</li> </ul>		
US English <ul style="list-style-type: none"> <li>• MT 4088:</li> <li>• MT 4099:</li> <li>• MT 4138:</li> <li>• MT 6258:</li> <li>• MT 7220:</li> <li>• MT 7354:</li> <li>• MT 7357:</li> <li>• MT 7360:</li> <li>• MT 7483:</li> <li>• MT 8910:</li> <li>• MT 9964:</li> <li>• MT 3379, 4083, 5897, 6137, 6234, 6303, 7174, 7346, 7582, 7627, 7630, and 7638._SB</li> </ul>	03T1849	1

### Windows 7 Ultimate 64 Recovery CD

Windows 7 Ultimate 64	FRU #	CRU
US English <ul style="list-style-type: none"> <li>• MT 4088:</li> <li>• MT 4099:</li> <li>• MT 4138:</li> <li>• MT 6258:</li> <li>• MT 7220:</li> <li>• MT 7354:</li> <li>• MT 7357:</li> <li>• MT 7360:</li> <li>• MT 7483:</li> <li>• MT 8910:</li> <li>• MT 9964:</li> <li>• MT 3379, 4083, 5897, 6137, 6234, 6303, 7174, 7346, 7582, 7627, 7630, and 7638._SB</li> </ul>	03T1850	

### Windows 7 Starter 32 SP1 Recovery CD

Windows 7 Starter X32 SP1	FRU #	CRU
India English <ul style="list-style-type: none"> <li>• MT 4088:</li> <li>• MT 4099:</li> <li>• MT 4138:</li> <li>• MT 6258:</li> <li>• MT 7220:</li> </ul>	03T2381	1

Windows 7 Starter X32 SP1	FRU #	CRU
<ul style="list-style-type: none"> <li>• MT 7354:</li> <li>• MT 7357:</li> <li>• MT 7360:</li> <li>• MT 7483:</li> <li>• MT 8910:</li> <li>• MT 9964:</li> <li>• MT 3379, 4083, 5897, 6137, 6234, 6303, 7174, 7346, 7582, 7627, 7630, and 7638_SB</li> </ul>		



---

## Chapter 11. Additional service information

This chapter provides additional information that the service representative might find helpful.

---

### Security features

Security features in this section include the following:

- Passwords
- Vital Product Data
- Secure Managed Client (some models)

### Hardware controlled passwords

Use the Setup Utility program to set the hardware controlled passwords. For more information about passwords, see “Using passwords ” on page 43.

### Operating system password

**Note:** This section applies only to computer models that have an operating system preinstalled from Lenovo.

An operating system password is very similar to a power-on password and denies access to the computer by an unauthorized user when the password is activated. The computer is unusable until the correct password is entered and recognized by the computer.

### Vital Product Data

Each computer has a unique Vital Product Data (VPD) code stored in the nonvolatile memory on the system board. After you replace the system board, the VPD must be updated. To update the VPD, see “Updating (flashing) BIOS from a disc” on page 560.

### Secure Managed Client

The Secure Managed Client (SMC) is a storage-based, desktop computing solution that helps businesses reduce IT costs and improve security by turning off hard disk drives and storing all data in a non-server remote location while offering users the flexibility and performance of a traditional desktop computer. For computer models that do not have an internal hard disk drive and a preinstalled operating system, but use a remote hard disk drive accessed through the SMC - Storage Array, contact the network or storage administrator.

---

### BIOS levels

An incorrect level of BIOS can cause false errors and unnecessary FRU replacement. Use the following information to determine the current level of BIOS installed in the computer, the latest BIOS available for the computer, and where to obtain the latest level of BIOS.

- To determine the current level of BIOS:
  - Start the Setup Utility.
  - See **BIOS Revision Level** on the Main setup screen.
- Sources for obtaining the latest level BIOS available
  1. Lenovo support web site: <http://www.lenovo.com/support/>
  2. Lenovo Customer Support Center

### 3. Levels 1 and 2 Support

To update (flash) the BIOS, see “Updating (flashing) BIOS from a disc” on page 560.

---

## Updating (flashing) BIOS from a disc

This section provides instructions on how to update (flash) BIOS from a disc. System BIOS program updates are available at:

<http://www.lenovo.com/support>

To update (flash) BIOS from a disc:

1. Make sure the optical drive you want to use is set as the first boot device in the startup device sequence. See “Selecting a startup device” on page 45.
2. Make sure the computer is turned on. Then, insert the system program update (flash) disc into the optical drive.
3. Turn the computer off and back on again. The update begins.
4. When prompted to change the serial number, press Y.
5. Type in the twenty character serial number of your computer and then press Enter.
6. When prompted to change the machine type/model, press Y.
7. Type in the twenty character machine type/model of your computer and then press Enter.
8. Follow the instructions on the screen to complete the update.

---

## Recovering from a POST/BIOS update failure

If the power to your computer is interrupted while POST/BIOS is being updated (flash update), your computer might not restart correctly. If this happens, perform the following procedure which is commonly called Boot-block Recovery.

1. Turn off the computer and any attached devices, such as printers, monitors, and external drives.
2. Unplug all power cords from electrical outlets, and remove or open the computer cover. See “Removing the computer cover” on page 73 or “Opening the computer cover” on page 107.
3. Depending on your machine type, you might need to lay the computer on its side for easier access to the system board or you might need to pivot the optical drive bay assembly upward and or remove the hard disk drive to access the system board, see “Accessing the system board components and drives” on page 108.
4. Locate the Clear CMOS/Recovery jumper on the system board. See “Locating parts on the system board” on page 76 or “Locating parts on the system board” on page 110.
5. Remove any cables that impede access to the Clear CMOS/Recovery jumper.
6. Move the jumper from the standard position (pin 1 and pin 2) to pin 2 and pin 3.
7. Reconnect any cables that were disconnected.
8. Reinstall or close the computer cover and reconnect the power cords for the computer and monitor to electrical outlets. See “Completing the FRU replacement” on page 103 or “Completing the FRU replacement” on page 131.
9. Turn on the computer and the monitor, and then insert the POST/BIOS update (flash update) disc into the optical drive.
10. Turn the computer off and back on again.
11. The recovery session will take two to three minutes. During this time you will hear a series of beeps. After the update session is completed, there will be no video, the series of beeps will end, and the system will automatically turn off. Remove the disc from the optical drive before the system completely turns off.
12. Repeat steps 2 through 5.



13. Move the jumper back to the standard position (pin 1 and pin 2).
  14. Reconnect any cables that were disconnected.
  15. Reinstall or close the computer cover and reconnect the power cords for the computer and monitor to electrical outlets. See “Completing the FRU replacement” on page 103 or “Completing the FRU replacement” on page 131.
  16. Turn on the computer to restart the operating system.
- 

## Power management

Power management reduces the power consumption of certain components of the computer such as the system power supply, processor, hard disk drives, and some monitors.

### Automatic configuration and power interface (ACPI) BIOS

Being an ACPI BIOS system, the operating system is allowed to control the power management features of the computer and the setting for Advanced Power Management (APM) BIOS mode is ignored. Not all operating systems support ACPI BIOS mode.

### Automatic Power-On features

The Automatic Power-On features within the Power Management menu allow you to enable and disable features that turn on the computer automatically.

- **RTC resume:** You can specify a date and time at which the computer will be turned on automatically. This can be either a single event or a daily event.
- **Wake on LAN:** If the computer has a properly configured token-ring or Ethernet LAN adapter card that is Wake on LAN-enabled and there is remote network management software, you can use the Wake on LAN feature. When you set Wake on LAN to **Enabled**, the computer will turn on when it receives a specific signal from another computer on the local area network (LAN).



---

## Appendix A. Notices

Lenovo may not offer the products, services, or features discussed in this document in all countries. Consult your local Lenovo representative for information on the products and services currently available in your area. Any reference to a Lenovo product, program, or service is not intended to state or imply that only that Lenovo product, program, or service may be used. Any functionally equivalent product, program, or service that does not infringe any Lenovo intellectual property right may be used instead. However, it is the user's responsibility to evaluate and verify the operation of any other product, program, or service.

Lenovo may have patents or pending patent applications covering subject matter described in this document. The furnishing of this document does not give you any license to these patents. You can send license inquiries, in writing, to:

*Lenovo (United States), Inc.  
1009 Think Place - Building One  
Morrisville, NC 27560  
U.S.A.  
Attention: Lenovo Director of Licensing*

LENOVO PROVIDES THIS PUBLICATION "AS IS" WITHOUT WARRANTY OF ANY KIND, EITHER EXPRESS OR IMPLIED, INCLUDING, BUT NOT LIMITED TO, THE IMPLIED WARRANTIES OF NON-INFRINGEMENT, MERCHANTABILITY OR FITNESS FOR A PARTICULAR PURPOSE. Some jurisdictions do not allow disclaimer of express or implied warranties in certain transactions, therefore, this statement may not apply to you.

This information could include technical inaccuracies or typographical errors. Changes are periodically made to the information herein; these changes will be incorporated in new editions of the publication. Lenovo may make improvements and/or changes in the product(s) and/or the program(s) described in this publication at any time without notice.

The products described in this document are not intended for use in implantation or other life support applications where malfunction may result in injury or death to persons. The information contained in this document does not affect or change Lenovo product specifications or warranties. Nothing in this document shall operate as an express or implied license or indemnity under the intellectual property rights of Lenovo or third parties. All information contained in this document was obtained in specific environments and is presented as an illustration. The result obtained in other operating environments may vary.

Lenovo may use or distribute any of the information you supply in any way it believes appropriate without incurring any obligation to you.

Any references in this publication to non-Lenovo Web sites are provided for convenience only and do not in any manner serve as an endorsement of those Web sites. The materials at those Web sites are not part of the materials for this Lenovo product, and use of those Web sites is at your own risk.

Any performance data contained herein was determined in a controlled environment. Therefore, the result obtained in other operating environments may vary significantly. Some measurements may have been made on development-level systems and there is no guarantee that these measurements will be the same on generally available systems. Furthermore, some measurements may have been estimated through extrapolation. Actual results may vary. Users of this document should verify the applicable data for their specific environment.

---

## Television output notice

The following notice applies to models that have the factory-installed television-output feature.

This product incorporates copyright protection technology that is protected by method claims of certain U.S. patents and other intellectual property rights owned by Macrovision Corporation and other rights owners. Use of this copyright protection technology must be authorized by Macrovision Corporation, and is intended for home and other limited viewing uses only unless otherwise authorized by Macrovision Corporation. Reverse engineering or disassembly is prohibited.

---

## Trademarks

The following terms are trademarks of Lenovo in the United States, other countries, or both:

- Lenovo
- Rescue and Recovery
- The Lenovo logo
- ThinkCentre
- ThinkVantage

Wake on LAN is a trademark of International Business Machines Corporation in the United States, other countries, or both.

Intel and Pentium are trademarks of Intel Corporation in the United States, other countries, or both.

Microsoft, Windows, and Windows Vista are trademarks of the Microsoft group of companies.

Other company, product, or service names may be trademarks or service marks of others.